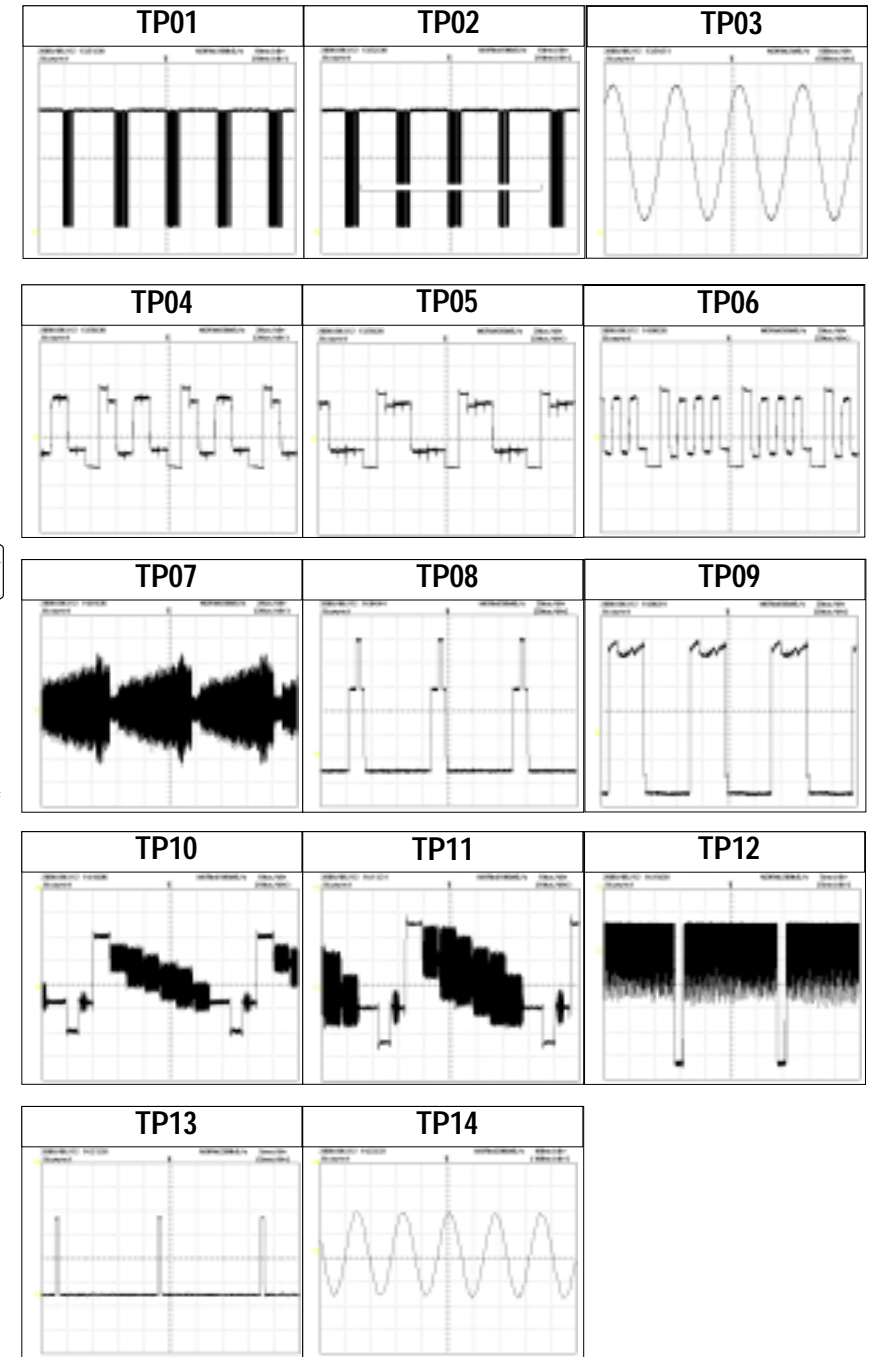
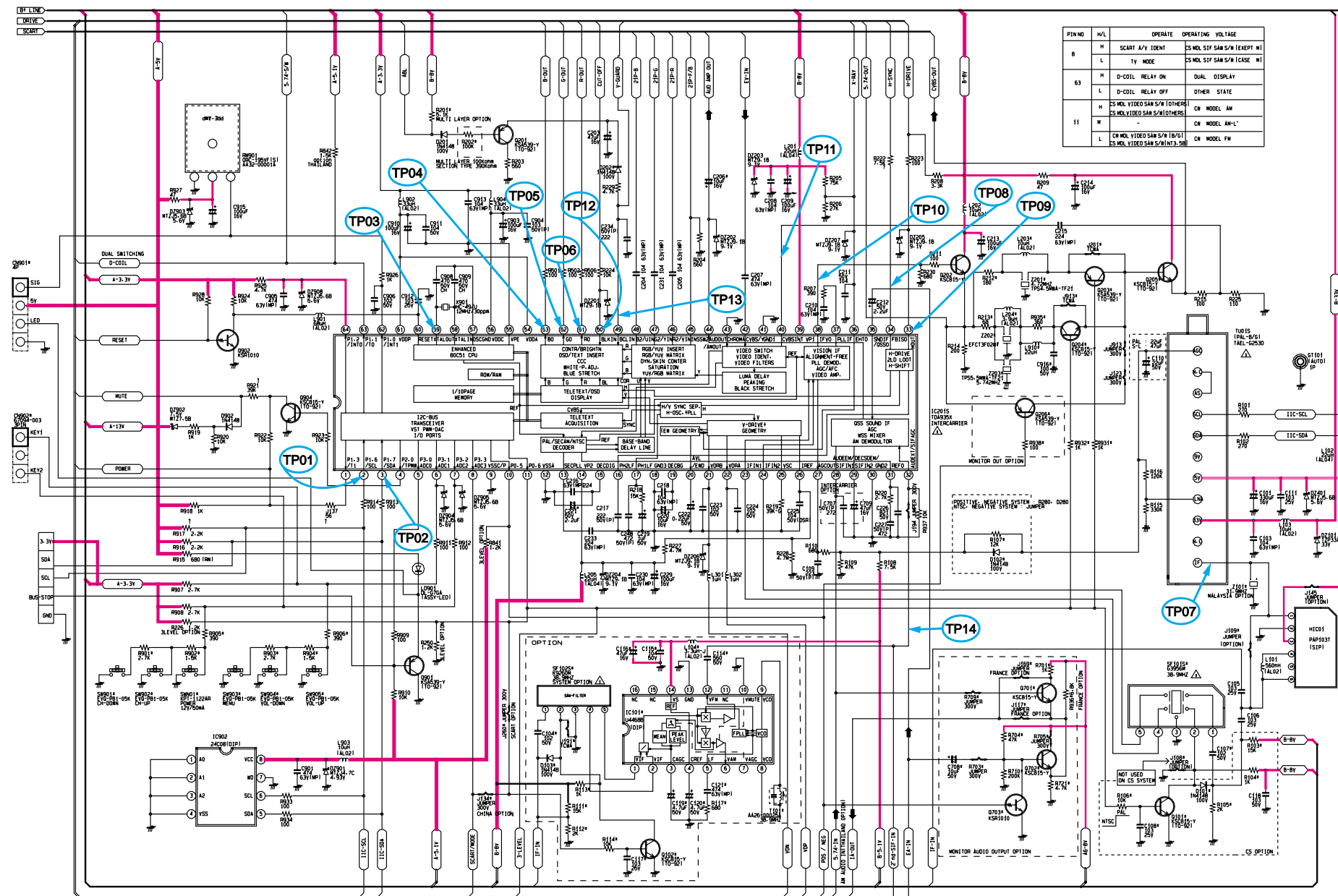


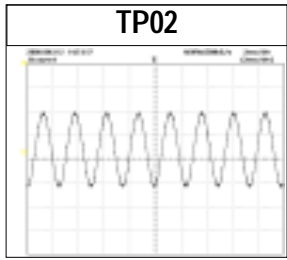
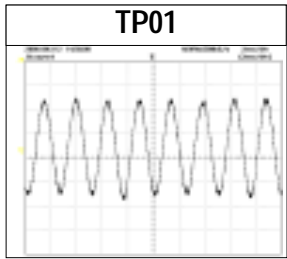
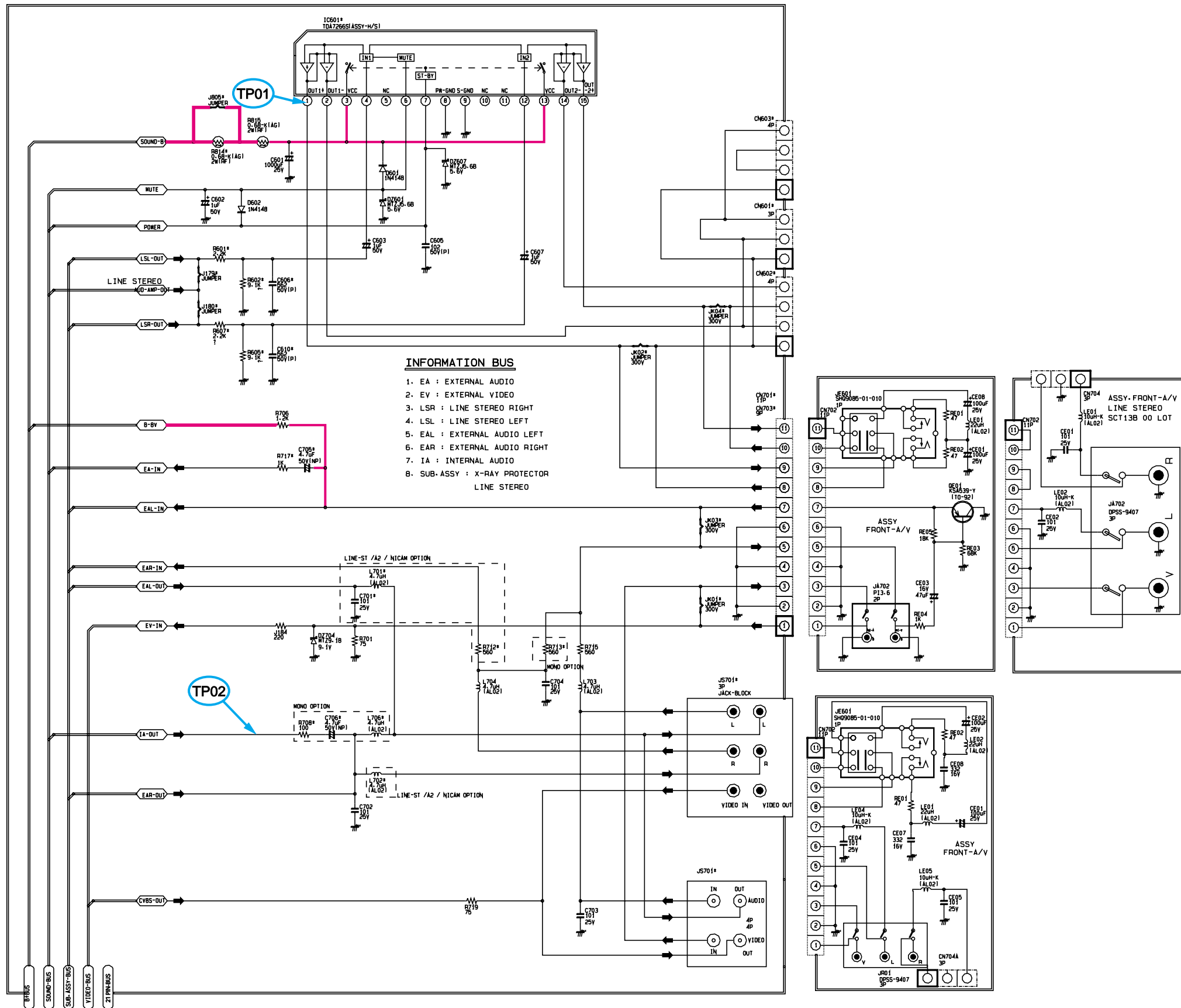
# 10. Schematic Diagrams

## 10-1 ONECHIP & MICOM



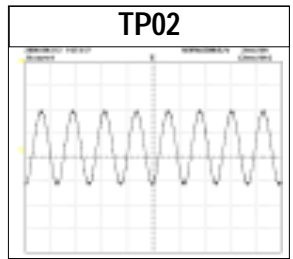
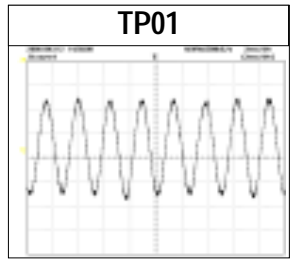
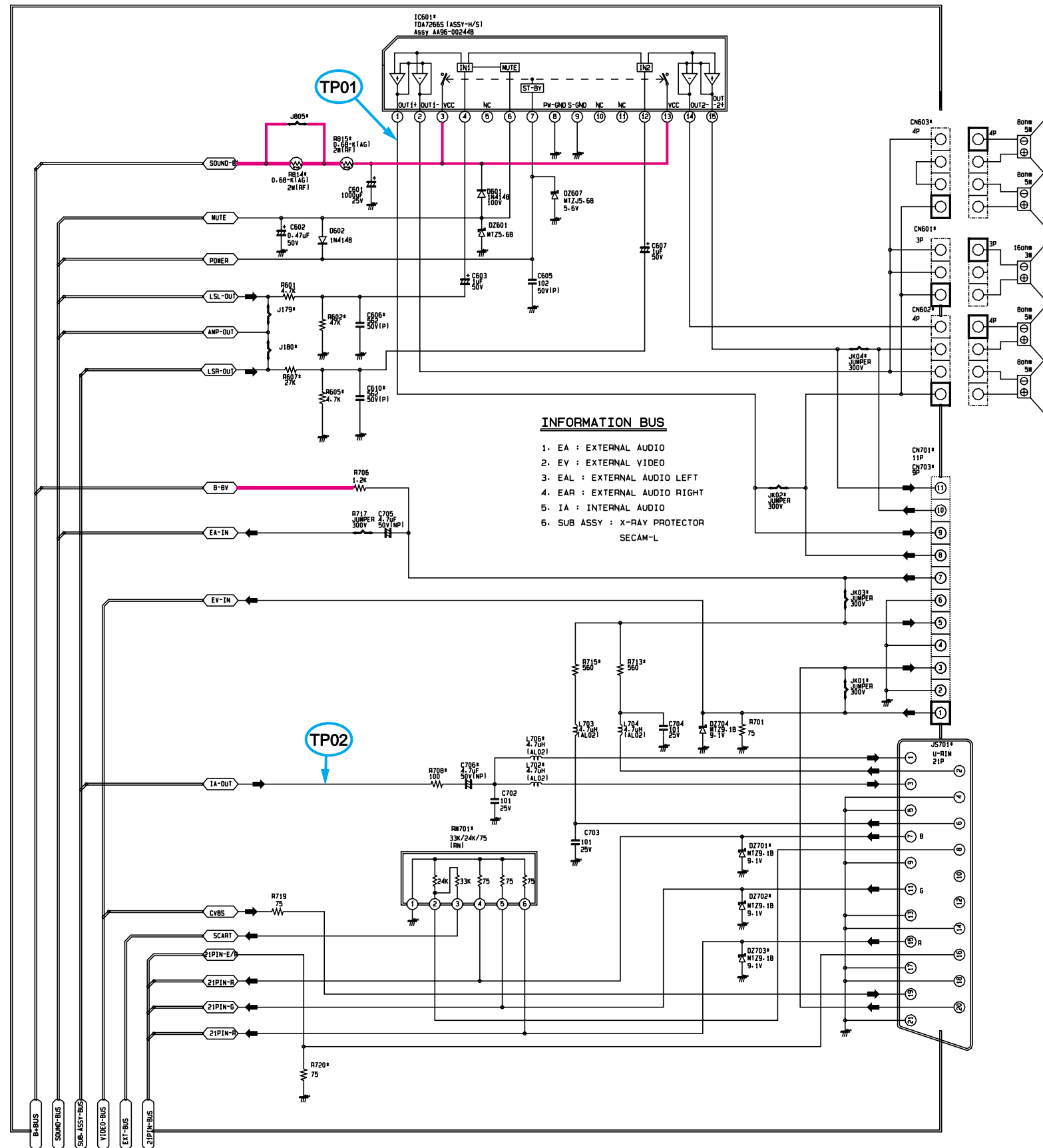
— : Power Line

# 10-2 SOUND, EXT-A/V (RCA)



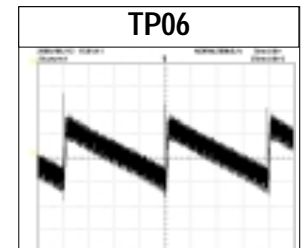
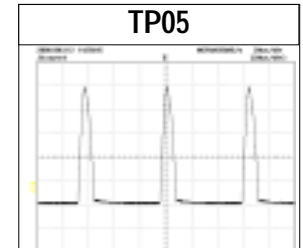
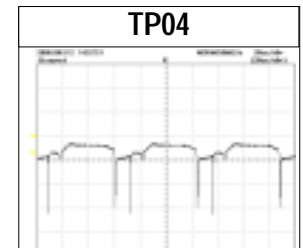
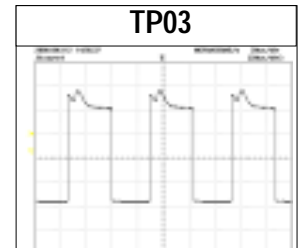
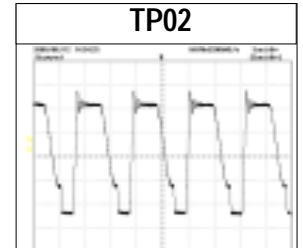
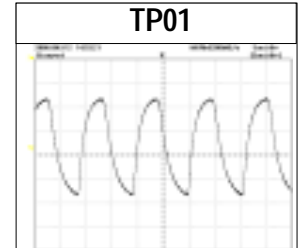
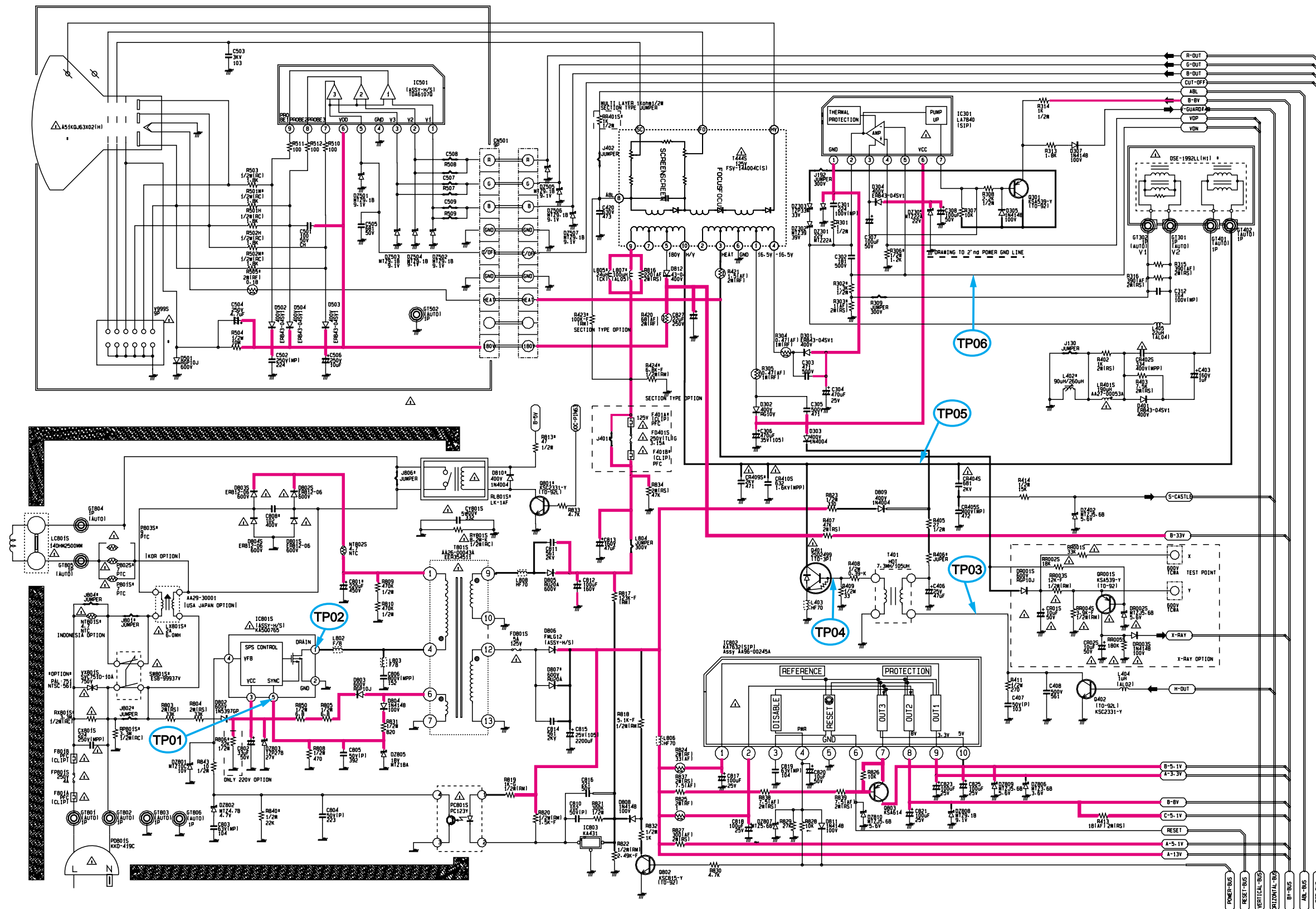
Power Line

10-3 SOUND, EXT-A/V (SCART)



Power Line

# 10-4 POWER / CRT / VERTICAL / HORIZONTAL



Power Line