

A

B

C

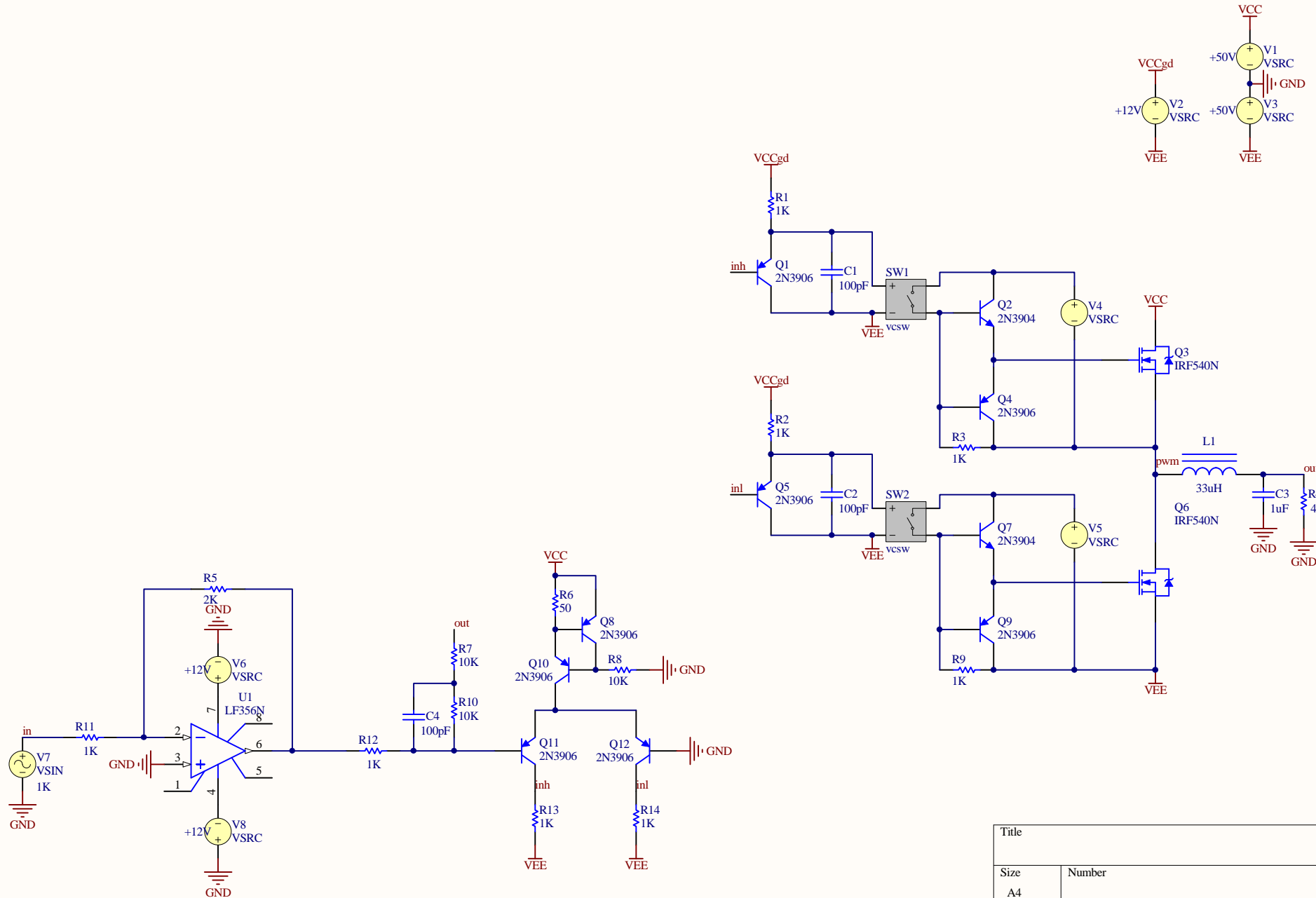
D

1

2

3

4



Title		
Size	Number	Revision
A4		
Date:	2011.11.26.	Sheet of
File:	D:\Sunci\...\Sheet1 ucd.SchDoc	Drawn By:

1

2

3

4