

WESTEN

boiler digit

GB

High performance gas-fired wall-mounted boilers with rapid storage boiler
instructions manual for users and fitters

RO

Centrale murale pe gaz cu randament ridicat cu acumulare rapidă
Instrucțiuni pentru instalator i pentru utilizator

HU

Nagyteljesítményű gyorsakkumulációs fali gázkazánok
Felhasználói és szerelői kézikönyv

RU

Настенные газовые котлы высокой производительности быстрого нагрева
Руководство по эксплуатации для пользователя и установщика

GR

Υψηλής απόδοσης λέβητες αερίου επίτοιχης εγκατάστασης με ταχεία συσσώρευση
ΕΓΧΕΙΡΙΔΙΟ ΧΡΗΣΗΣ ΓΙΑ ΤΟ ΧΡΗΣΤΗ ΚΑΙ ΤΟΝ ΕΓΚΑΤΑΣΤΑΤΗ

ES

calderas murales de gas de alto rendimiento con acumulación rápida
manual de uso para el usuario y el instalador

CE 0051



ΜΠ02

Dear Customer,

We are confident your new boiler will meet all your requirements.

All **Baxi** products have been designed to give you what you are looking for: good performance combined with simple and rational use. Please do not put away this booklet without reading it first as it contains some useful information which will help you to operate your boiler correctly and efficiently.

Do not leave any packaging (plastic bags, polystyrene, etc.) within the reach of children as they are a potential source of danger

Baxi S.p.A. declares that these models of boiler bear the CE mark in compliance with the basic requirements of the following Directives:

- Gas Directive 90/396/EEC
- Efficiency Directive 92/42/EEC
- Electromagnetic Compatibility Directive 2004/108/EEC
- Low Voltage Directive 2006/95/EC



CONTENTS

INSTRUCTIONS FOR USERS

1. Instructions prior to installation	3
2. Instructions prior to commissioning	3
3. Commissioning the boiler	4
4. Adjusting CHW and DHW temperatures	5
5. Filling the system	6
6. Turning off the boiler	6
7. Prolonged shutdown. Frost protection	6
8. Gas conversion	6
9. Troubleshooting	7
10. Routine maintenance instructions	7

INSTRUCTIONS FOR FITTERS

11. General precautions	8
12. Instructions prior to installation	8
13. Template for fixing the boiler to the wall	9
14. Dimensions of boiler	9
15. Contents of pack supply as accessory	10
16. Installation of flue and air ducts (forced-flow models)	10
17. Connecting the mains supply	14
18. Connecting the ambient thermostat	14
19. Gas conversion methods	15
20. Information on display	16
21. Parameter settings	18
22. Adjustment and safety devices	19
23. Positioning the ignition and flame-sensor electrode	20
24. Checking combustion parameters	20
25. Output/pump head performance	21
26. Draining the storage boiler	21
27. DHW expansion vessel (available on request)	21
28. Connecting the external probe	22
29. Connecting the remote control unit	23
30. Connecting a zone heating system	24
31. Annual service	25
32. Circuit diagram	26-27
33. Illustrated wiring diagram	28-29
34. Technical specifications	30

1. INSTRUCTIONS PRIOR TO INSTALLATION

This boiler has been designed to heat water to a temperature lower than boiling point at atmospheric pressure.

It must be connected to a central heating system and to a domestic hot water supply system according to its performance and power output.

Before having the boiler installed by a qualified fitter, check the following:

- a) Make sure that the boiler is adjusted to use the type of gas delivered by the gas supply. To do this, check the markings on the packaging and the rating plate on the appliance.
- b) Make sure that the flue terminal draft is appropriate, that the terminal is not obstructed and that no exhaust gases from other appliances are expelled through the same flue duct, unless the latter has been specially designed to collect exhaust gas from more than one appliance, in compliance with current laws and regulations.
- c) Make sure that, if the boiler is connected to existing flue ducts, these have been thoroughly cleaned as residual products of combustion may detach from the walls during operation and obstruct the flow of fumes.
- d) To ensure correct operation and maintain the warranty, observe the following precautions:

1. DHW circuit:

1.1. If the water is harder than 20 °F (1 °F = 10 mg calcium carbonate per litre of water), install a polyphosphate dispenser or an equivalent treatment system, compliant with current regulations.

1.2. Thoroughly flush the system after installation of the appliance and before use.

2. Heating circuit

2.1. new system

Before proceeding with installation of the boiler, the system must be cleaned and flushed to eliminate residual thread-cutting swarf, solder and any solvents, using suitable proprietary products. To avoid damaging metal, plastic and rubber parts, only use neutral cleaners, i.e. non-acid and non-alkaline. Recommended cleaning products are:

SENTINEL X300 or X400 and FERNOX Regenerator for heating circuits. Use these products in strict compliance with the manufacturers' instructions.

2.2. existing system

Before installing the boiler, drain the system and clean it to remove sludge and contaminants, using suitable proprietary products as described in section 2.1.

To avoid damaging metal, plastic and rubber parts, use only neutral cleaners, i.e. non-acid and non-alkaline such as SENTINEL X100 and FERNOX Protector for heating circuits. Use these products in strict compliance with the manufacturers' instructions.

Remember that the presence of foreign bodies in the heating system can adversely affect boiler operation (e.g. overheating and excessive noise of the heat exchanger).

Failure to observe the above will render the guarantee null and void.

2. INSTRUCTIONS PRIOR TO COMMISSIONING

Initial lighting of the boiler must be carried out by an authorised Service Engineer who must first ensure that: a) the rated data correspond to the supply (electricity, water and gas) data. b) the installation complies with current laws and regulations. c) the appliance is correctly connected to the power supply and earthed.


The names of the authorised Service Centres are indicated in the attached sheet.


Failure to observe the above will render the guarantee null and void.

Prior to commissioning, remove the protective plastic coating from the boiler. Do not use any tools or abrasive detergents to do this as you may damage the painted surfaces.

3. COMMISSIONING THE BOILER


To light the boiler correctly, proceed as follows:

- Power the boiler.
- Open the gas tap;
- Press button  (approx. 2 seconds) to set the boiler operating mode as described in section 3.2.

NOTE: if the SUMMER , mode is set, the boiler will only light during a DHW demand.

- To adjust CHW and DHW temperatures, press the +/- buttons as described in section 4.

WARNING

During initial ignition, the burner may not ignite (causing the boiler to shut down) until any air in the gas pipes is vented. In this case, repeat the ignition procedure until gas reaches the burner. Press the RESET button  for at least 2 seconds.

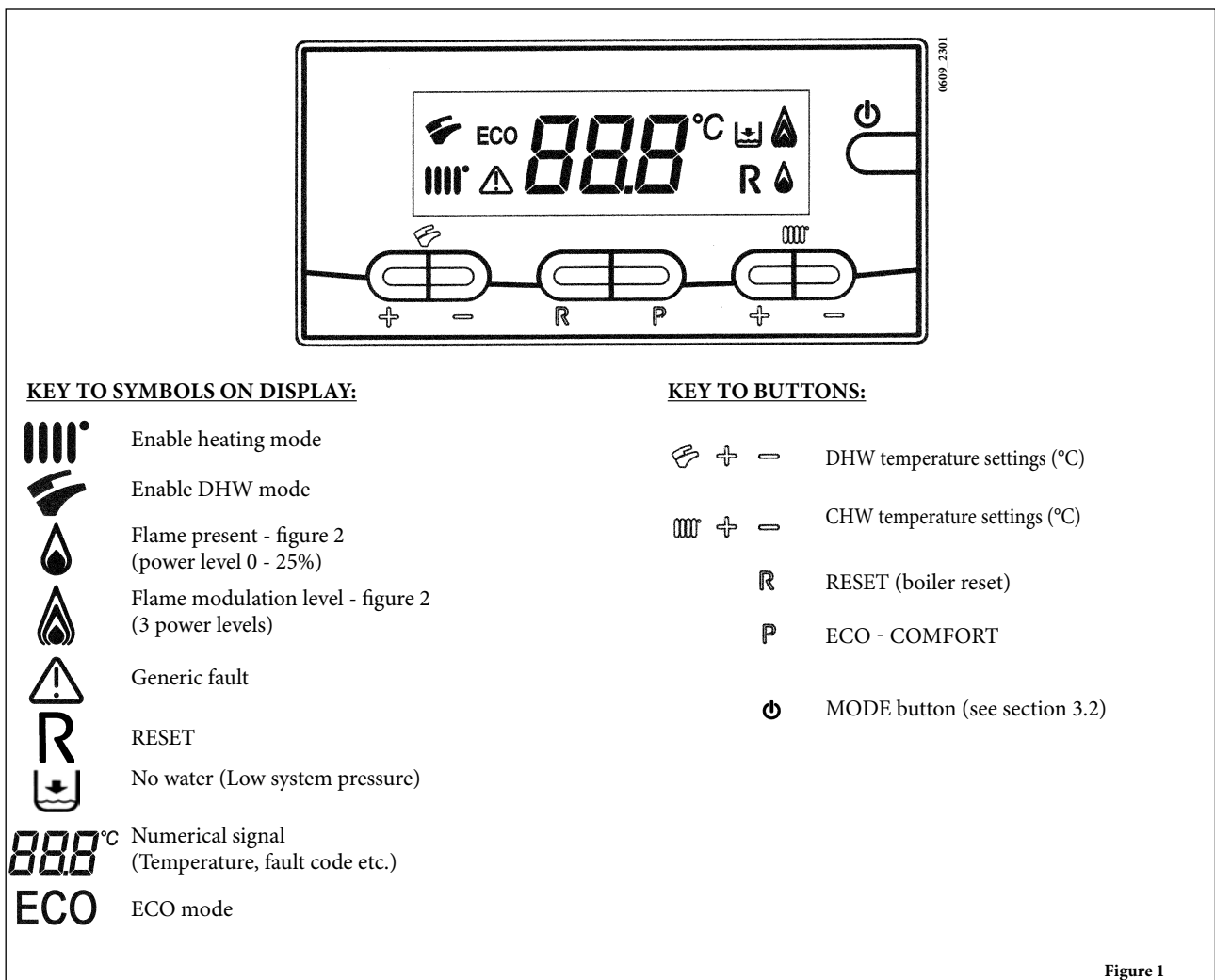
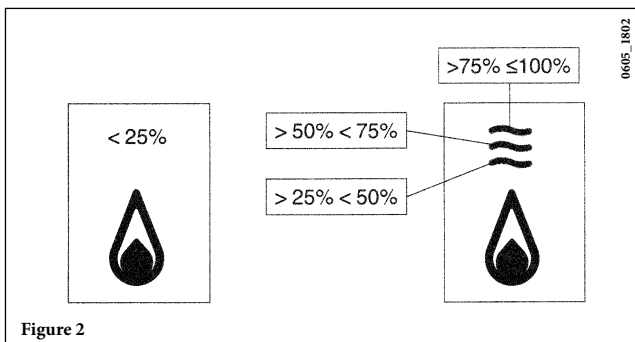


Figure 1

If the optional remote control device is connected, adjust the boiler using this device. See the instructions accompanying this accessory item.

3.1 MEANING OF THE SYMBOL

4 different boiler modulation levels are shown on during boiler operation, as indicated in figure 2.





3.2 OPERATING MODES

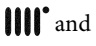

There are 4 boiler operating modes:


- OFF (OFF)
- SUMMER 
- WINTER 
- HEATING ONLY 

To set an operating mode, press  for approximately 2 seconds.




In the OFF mode, the display shows neither of the above two symbols . In this mode, only the ambient frost protection function is active while requests for DHW and central heating are not satisfied.

In the SUMMER mode, the display shows . The boiler satisfies requests for DHW only while central heating is NOT enabled (ambient frost protection function active).

In the WINTER mode, the display shows  and . The boiler satisfies requests for both DHW and central heating (ambient frost protection function active).


In the HEATING ONLY mode, the display shows . The boiler satisfies requests for central heating only (ambient frost protection function active).

4. ADJUSTING CHW AND DHW TEMPERATURES


Adjust the heating delivery temperature  and the DHW temperature  by pressing the respective +/- buttons (figure 1). When the burner is lit, the control panel display shows the symbol .

HEATING

The system must be fitted with an ambient thermostat for controlling indoor temperature.

While the boiler is operating in the heating mode, the display shows the flashing symbol , and the heating delivery temperature (°C).


DHW

While the boiler is operating in the DHW mode, the display shows the flashing symbol , and the storage boiler water delivery temperature (°C).


Press **P** to set two different DHW temperature values, **ECO** and **COMFORT**.

To modify the temperatures, proceed as follows:

ECO

Press **P**, the display shows “eco”, and then +/-  to set the required temperature setpoint.


COMFORT

Press **P**, the display shows just the temperature setting, and then +/-  to set the required temperature setpoint.

5. FILLING THE SYSTEM

IMPORTANT: Regularly check that the pressure displayed on the pressure gauge (14 - figures 17 and 18) is 0.5 - 1 bar, with the system cold. In case of overpressure, open the boiler drain valve. If pressure is lower, open the boiler filling tap (figure 3).

Open the tap very slowly in order to vent the air.

During this operation, the boiler must be "OFF" (press  - figure 1).

In case pressure drops occur frequently, have the boiler checked by an authorised Service Engineer.

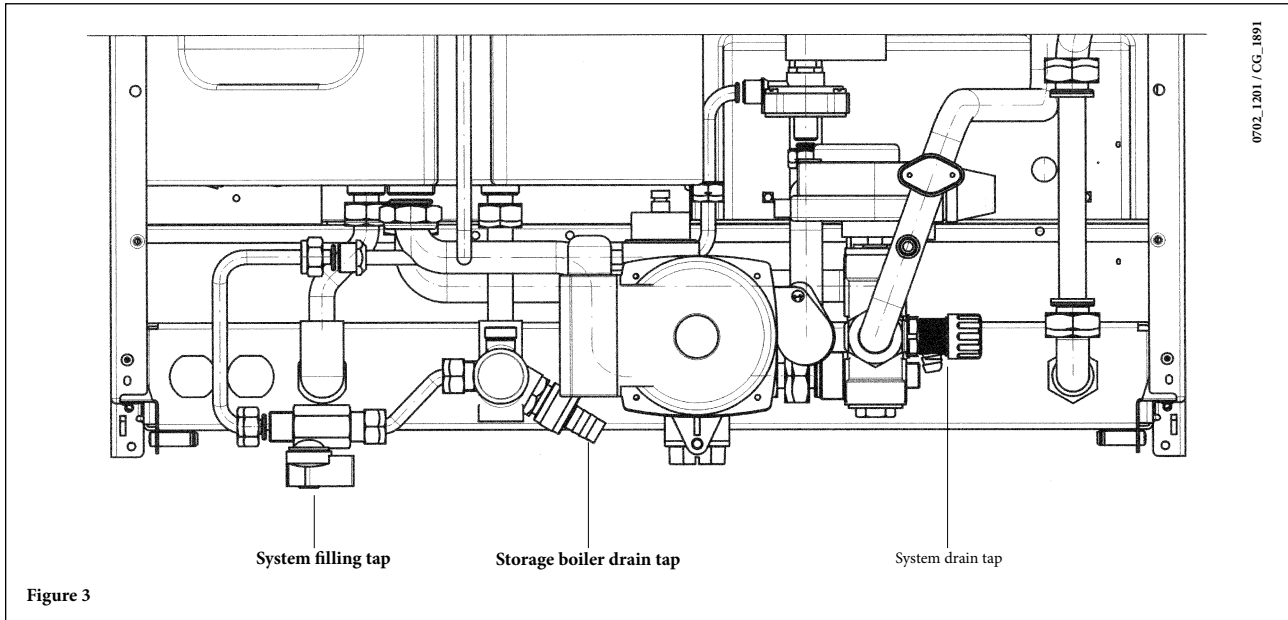


Figure 3

The boiler is fitted with a differential hydraulic pressure gauge which prevents the boiler from working if the pump is blocked or if there is no water.

6. TURNING OFF THE BOILER

To turn off the boiler, disconnect the electric power supply. With the gas boiler in the "OFF" mode (section 3.2), the electric circuits remain powered and the frost protection function is enabled (section 7).

7. PROLONGED SHUTDOWN. FROST PROTECTION

Do not drain the whole system as filling up with water again causes unnecessary and harmful scale to build up inside the boiler and the heating elements. If the boiler is not used during winter and is therefore exposed to the danger of frost, add some specific anti-freeze to the water in the system (e.g.: propylene glycol coupled with corrosion and scale inhibitors).

The electronic boiler management system includes a "frost protection" function for the heating system which, when delivery temperature falls below 5°C, operates the burner until a delivery temperature of 30°C is reached.

The frost protection function is enabled if:

- * the boiler is electrically powered;
- * the gas tap is open;
- * the system is at the correct pressure;
- * the boiler is not blocked.

8. GAS CONVERSION

The boilers can operate both on natural gas and LPG.

All gas conversions must be made by an authorised Service Engineer.

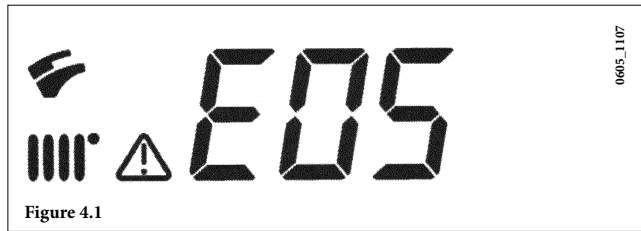
9. TROUBLESHOOTING

Faults are shown on the display with an error code (e.g.: E01):

The faults that can be reset by the user are indicated on the display with the symbol **R** (figure 4).

The faults that cannot be reset by the user are indicated on the display with the symbol **⚠** (figure 4.1).

To RESET the boiler, press and hold down **R** for at least 2 seconds.



CODE DISPLAYED	TYPE OF FAULT	CORRECTIVE ACTION
E01	Ignition failure	Press R . If this fault persists, call the Authorised Service Centre.
E02	Safety thermostat tripped	Press R . If this fault persists, call the Authorised Service Centre.
E03	Flue thermostat/ flue pressure switch tripped	Call the Authorised Service Centre.
E04	Safety error due to frequent flame loss	Call the Authorised Service Centre.
E05	Delivery sensor fault	Call the Authorised Service Centre.
E06	DHW sensor fault	Call the Authorised Service Centre.
E11	Safety thermostat for low temperature system cuts in (if connected)	Call the Authorised Service Centre.
E12	Differential hydraulic pressure switch block	Check that the pressure in the system is correct; See section 5. If this fault persists, call the Authorised Service Centre.
E13	Differential hydraulic pressure switch contract faulty	Check that the pressure in the system is correct; See section 5. If this fault persists, call the Authorised Service Centre.
E25	No water safety trip	Call the Authorised Service Centre.
E31	Communication error between electronic board and remote control unit	Press R . If this fault persists, call the Authorised Service Centre.
E35	Parasite flame (flame error)	Press R . If this fault persists, call the Authorised Service Centre.
E98	Internal board error	Call the Authorised Service Centre.
E99	Internal board error	Call the Authorised Service Centre.

10. ROUTINE MAINTENANCE INSTRUCTIONS

To keep the boiler efficient and safe, have it checked by the authorised Service Centre at the end of every operating period.

Careful servicing ensures economical operation of the system.

Do not clean the outer casing of the appliance with abrasive, aggressive and/or easily flammable cleaners (e.g.: petrol, alcohol, and so on).

Always switch off the appliance before cleaning it (see section 6 Switching off the boiler).

11. GENERAL PRECAUTIONS

The following remarks and instructions are addressed to Service Engineers to help them carry out a faultless installation. Instructions regarding lighting and operation of the boiler are contained in the 'Instructions pertaining to the user' section.

Note that installation, maintenance and operation of the domestic gas appliances must be performed exclusively by qualified personnel in compliance with current standards.

Please note the following:

- * This boiler can be connected to any type of double- or single feeding pipe convector plates, radiators, thermoconvectors. Design the system sections as usual though taking into account the available output / pump head performances, as shown in section 25.
- * Do not leave any packaging components (plastic bags, polystyrene, etc.) within children's reach as they are a potential source of danger.
- * Initial lighting of the boiler must be effected by a Qualified Service Engineer.

Failure to observe the above will render the guarantee null and void.

12. INSTRUCTIONS PRIOR TO INSTALLATION

This boiler has been designed to heat water to a temperature lower than boiling point at atmospheric pressure.

It must be connected to a central heating system and to a domestic hot water supply system according to its performance and power output.

Before having the boiler installed by a qualified fitter, check the following:

- a) Make sure that the boiler is adjusted to use the type of gas delivered by the gas supply. To do this, check the markings on the packaging and the rating plate on the appliance.
- b) Make sure that the flue terminal draft is appropriate, that the terminal is not obstructed and that no exhaust gases from other appliances are expelled through the same flue duct, unless the latter has been specially designed to collect exhaust gas from more than one appliance, in compliance with current laws and regulations.
- c) Make sure that, if the boiler is connected to existing flue ducts, these have been thoroughly cleaned as residual products of combustion may detach from the walls during operation and obstruct the flow of fumes.

To ensure correct operation and maintain the warranty, observe the following precautions:

1. DHW circuit:

1.1. If the water is harder than 20 °F (1 °F = 10 mg calcium carbonate per litre of water), install a polyphosphate dispenser or an equivalent treatment system, compliant with current regulations.

1.2. Thoroughly flush the system after installation of the appliance and before use.

2. Heating circuit

2.1. new system

Before proceeding with installation of the boiler, the system must be cleaned and flushed to eliminate residual thread-cutting swarf, solder and any solvents, using suitable proprietary products. To avoid damaging metal, plastic and rubber parts, only use neutral cleaners, i.e. non-acid and non-alkaline. Recommended cleaning products are:

SENTINEL X300 or X400 and FERNOX Regenerator for heating circuits. Use these products in strict compliance with the manufacturers' instructions.

2.2. existing system

Before installing the boiler, drain the system and clean it to remove sludge and contaminants, using suitable proprietary products as described in section 2.1.

To avoid damaging metal, plastic and rubber parts, use only neutral cleaners, i.e. non-acid and non-alkaline such as SENTINEL X100 and FERNOX Protector for heating circuits. Use these products in strict compliance with the manufacturers' instructions.

Remember that the presence of foreign bodies in the heating system can adversely affect boiler operation (e.g. overheating and excessive noise of the heat exchanger).

Failure to observe the above will render the guarantee null and void.

13. TEMPLATE FOR FIXING THE BOILER TO THE WALL

After deciding the exact location of the boiler, fix the template to the wall.

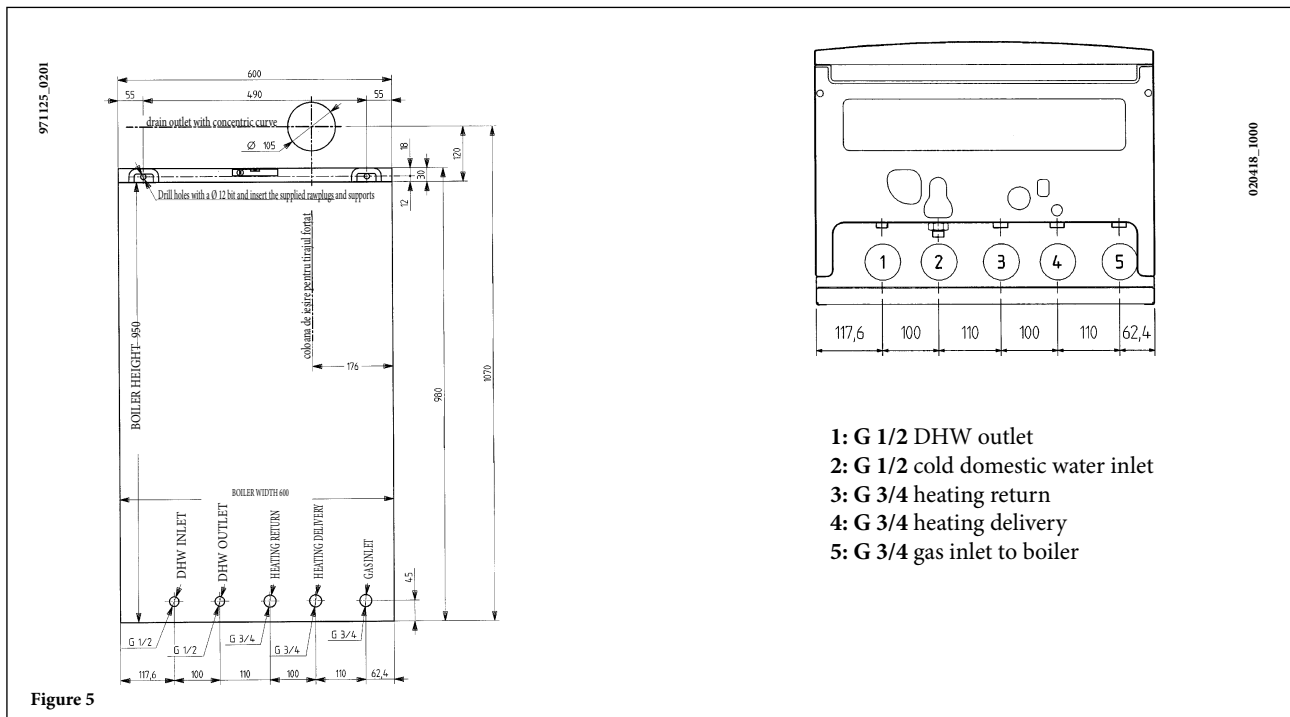
Connect the system to the gas and water inlets present on the lower bar of the template.

Fit two G3/4 taps (delivery and return) on the central heating circuit; these taps make it possible to carry out important operations on the system without draining it completely.

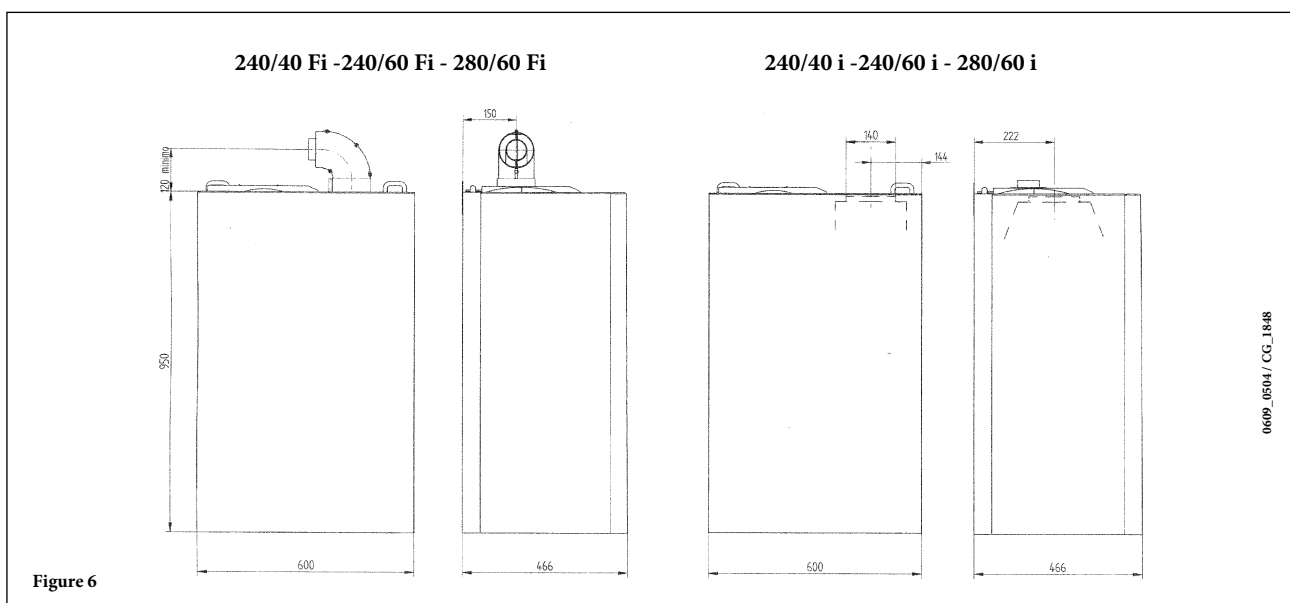
If you are either installing the boiler on an existing system or replacing one, as well as the above, fit a settling tank under the boiler on the system return line in order to collect any deposits and scale circulating in the system after flushing.

After fixing the boiler to the template, connect the flue and air ducts, supplied as accessories, as described in the following sections.

If natural draught boilers are installed, connect them to the flue with a metal pipe resistant to normal mechanical stress, heat, products of combustion and relative condensate.



14. DIMENSIONS OF BOILER



15. CONTENTS OF PACK SUPPLY AS ACCESSORY

- gas tap (1)
- water supply tap (2)
- gaskets
- telescopic joints
- 12 mm rawplugs and supports

BOILER DIGIT 240/40 i -240/40 Fi

0804_1101/CC_2061

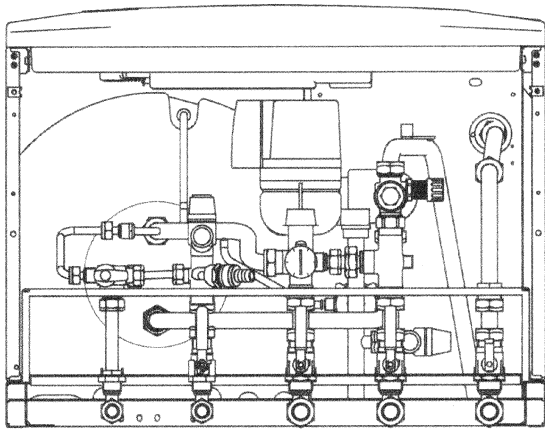
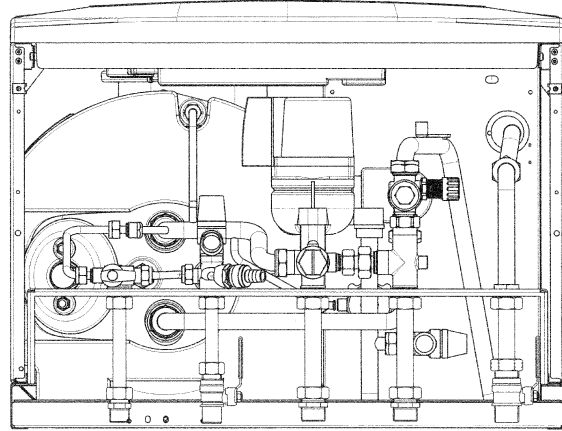


Figure 7

BOILER DIGIT 240/60 i -240/60 Fi - 280/60 i - 280/60 Fi

0702_1202/CC_1892



16. INSTALLATION OF FLUE AND AIR DUCTS

The boiler is easy and flexible to install thanks to the extensive range of available accessories, as described below.

The boiler has been designed for connection to a vertical or horizontal coaxial flue-air duct. A splitting kit is also available if separate ducts are required.

Only accessories supplied by the manufacturer must be used for installation!

COAXIAL FLUE-AIR DUCT (CONCENTRIC)

This type of duct is used to discharge exhaust fumes and draw combustion air both outside the building and if a LAS flue is fitted.

The 90° coaxial curve allows the boiler to be connected to a flue-air duct in any direction as it can be rotated by 360°. It can also be used as a supplementary curve combined with a coaxial duct or a 45° curve.

WARNING

to optimise operating safety, make sure the flue ducts are firmly fixed to the wall with suitable brackets.

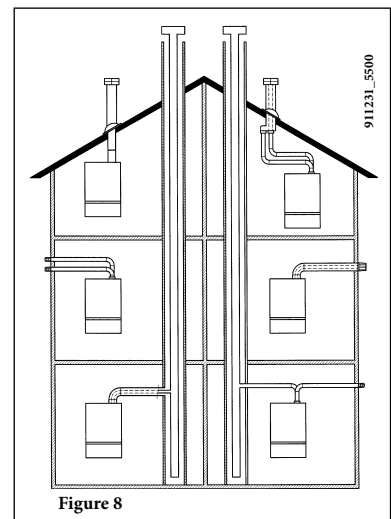
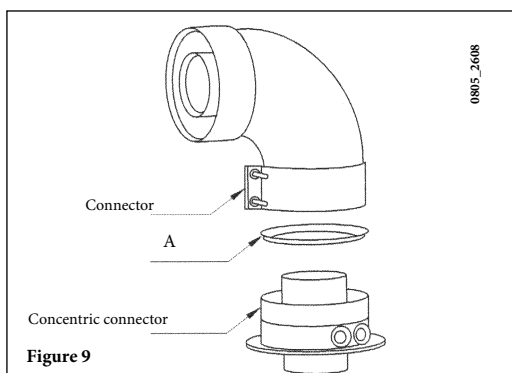


Figure 8



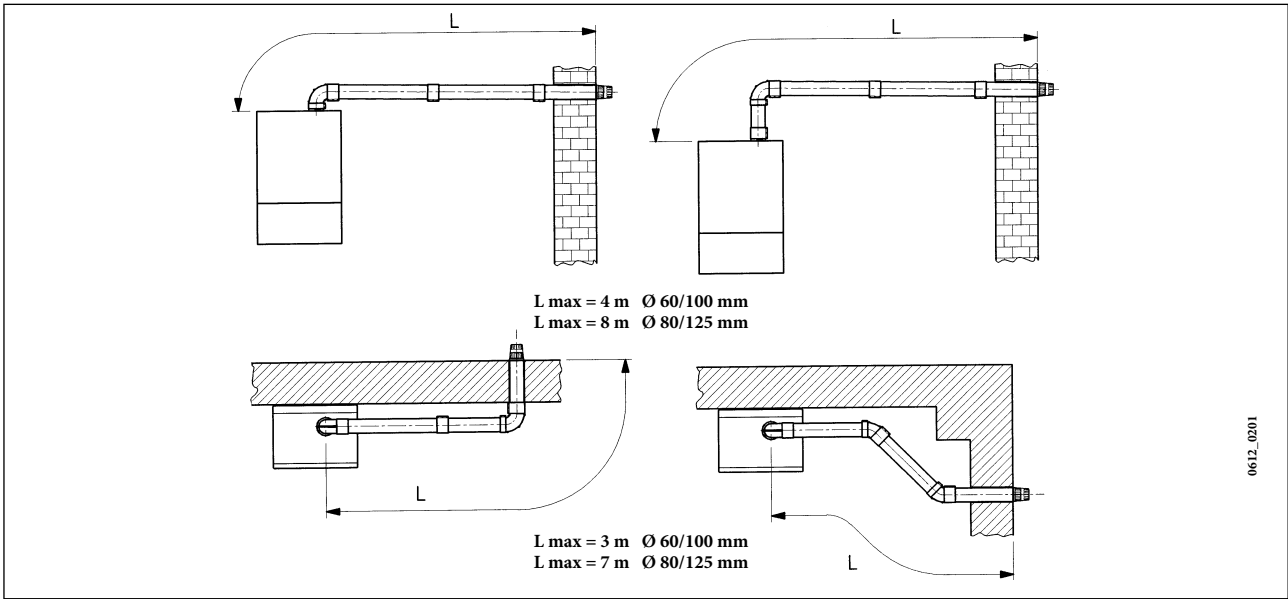
BOILER MODEL	MAX. LENGTH (m)	INLET DIAPHRAGM (A) (mm)
BOILER DIGIT 240/40 Fi - 240/60 Fi	0,5	73
	0,5 ÷ 2	80
	2 ÷ 4	NO
BOILER DIGIT 280/60 Fi	0 ÷ 1	76
	1 ÷ 4	NO

If fumes are discharged outside the building, the flue-air duct must protrude at least 18 mm from the wall to allow an aluminium weathering surround to be fitted and sealed to avoid water infiltrations.

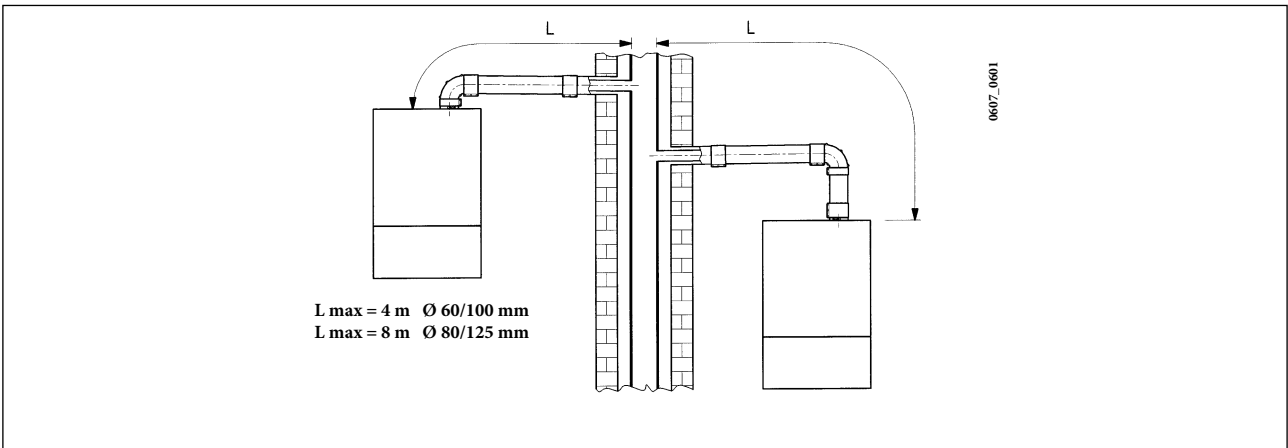
Make sure there is a minimum upward slope towards the outside of 1 cm per metre of duct.

- A 90° curve reduces total duct length by 1 metre.
- A 45° curve reduces total duct length by 0.5 metres.

16.1 HORIZONTAL FLUE INSTALLATION OPTIONS

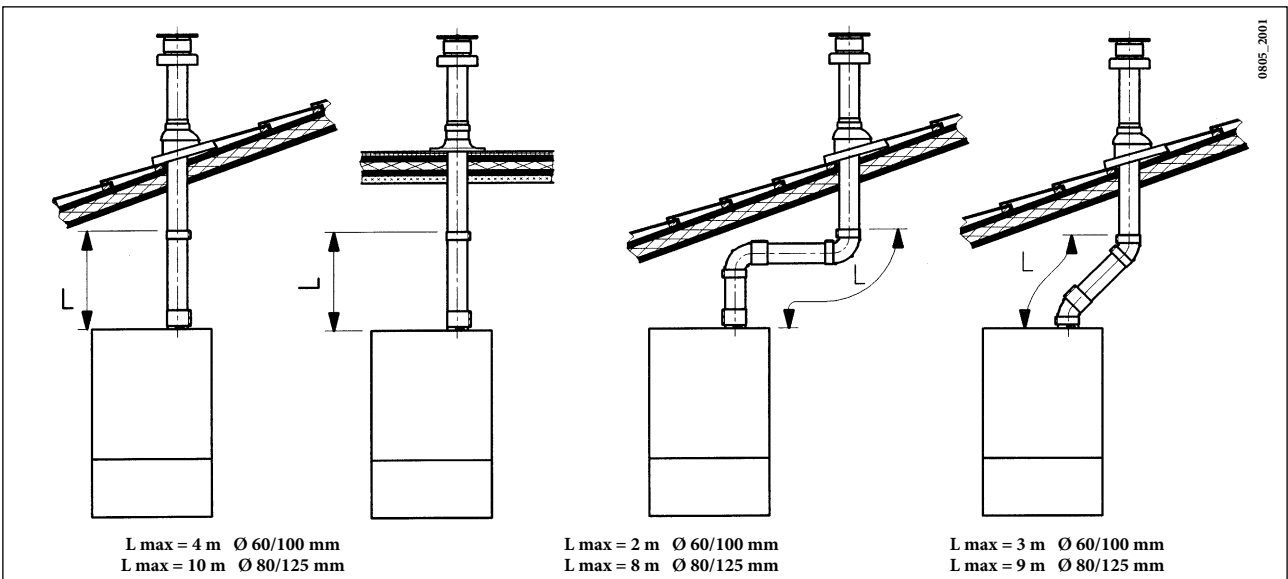


16.2 LAS FLUE DUCT INSTALLATION OPTIONS



16.3 VERTICAL FLUE INSTALLATION OPTIONS

This type of installation can be carried out on either a flat or a pitched roof by fitting a flue terminal and a special weathering surround with sleeve (both available on request).



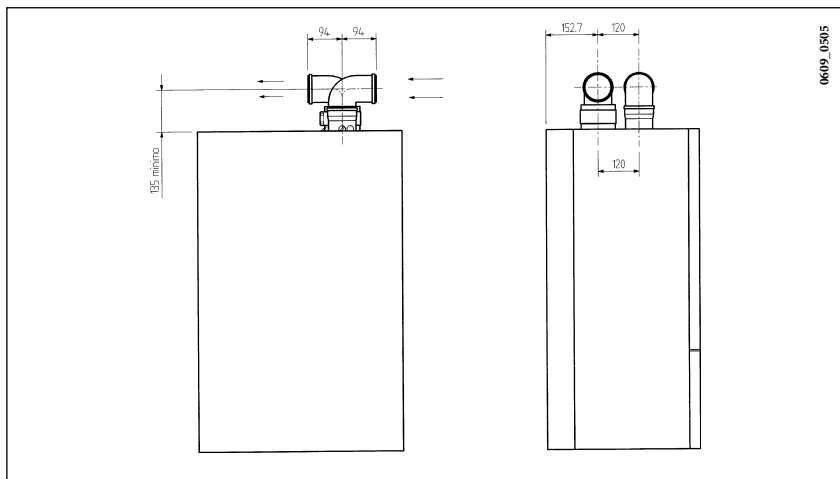
For detailed installation instructions, consult the technical data provided with the accessories.

SEPARATE FLUE AND AIR DUCTS

This type of installation makes it possible to discharge exhaust fumes both outside the building and into single flue ducts. Comburent air can be drawn in at a different location from that of the flue terminal. The splitting kit comprises a flue duct adaptor (100/80) and an air duct adaptor. For the air duct adaptor, fit the screws and seals previously removed from the cap. Remove the diaphragm in the boiler if these types of flue ducts are used.

NOTE: *The first 90° curve is not included when calculating the maximum available length.*

The 90° curve allows the boiler to be connected to a flue-air duct in any direction as it can be rotated by 360°. It can also be used as a supplementary curve combined with a duct or a 45° curve.



- A 90° curve reduces total duct length by 0.5 metres.
- A 45° curve reduces total duct length by 0.25 metres.

Adjusting the air regulator for separate flues

This regulator must be adjusted to optimise combustion efficiency and parameters.

After turning the air intake connector, suitably adjust the excess air according to the total length of the combustion exhaust and inlet flue ducts.

Turn this regulator clockwise to decrease the excess of comburent air and vice-versa to increase it.

To fine tune, use a combustion product analyser to measure the amount of CO₂ in the fumes at maximum heat capacity, and, if a lower value is measured, gradually adjust the air regulator until the amount of CO₂ indicated in the following table is measured.

To mount this device correctly, consult the relative instructions.

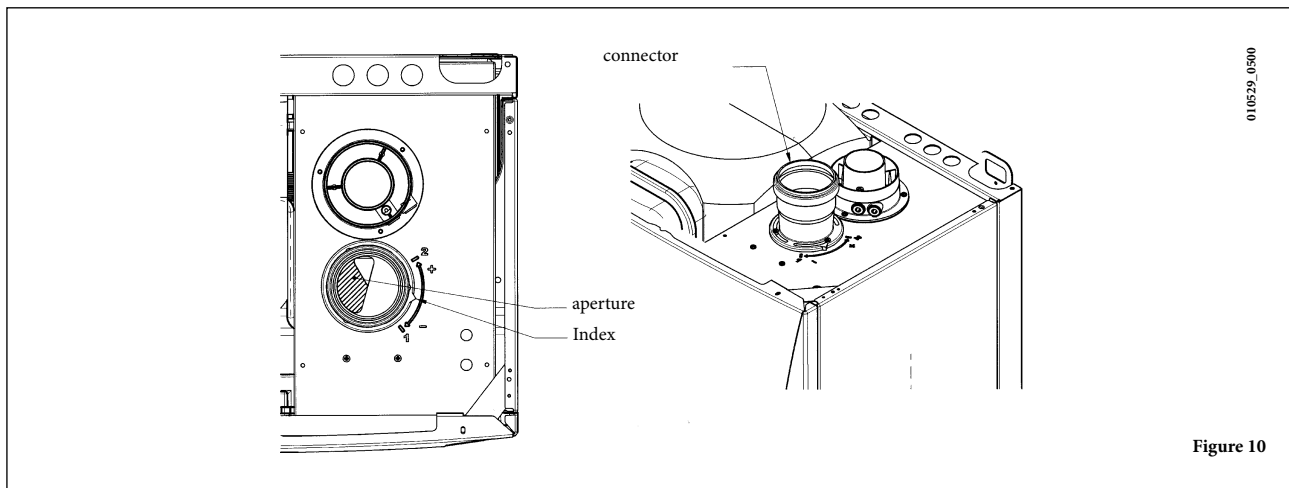


Figure 10

	MAX. LENGTH	GAUGE POSITION	CO2%		
	L1+L2 (m)	AFR	G20	G30	G31
240/40 Fi - 240/60 Fi	0 ÷ 20	1	6,7	8,7	8,7
	20 ÷ 30	2			
280/60 Fi	0 ÷ 20	1	6,0	8,0	8,0
	20 ÷ 30	2			

NOTE: For the C52 type, do not fit the flue and air duct terminals on opposite walls of the building. The maximum length of the air duct is 10 metres.

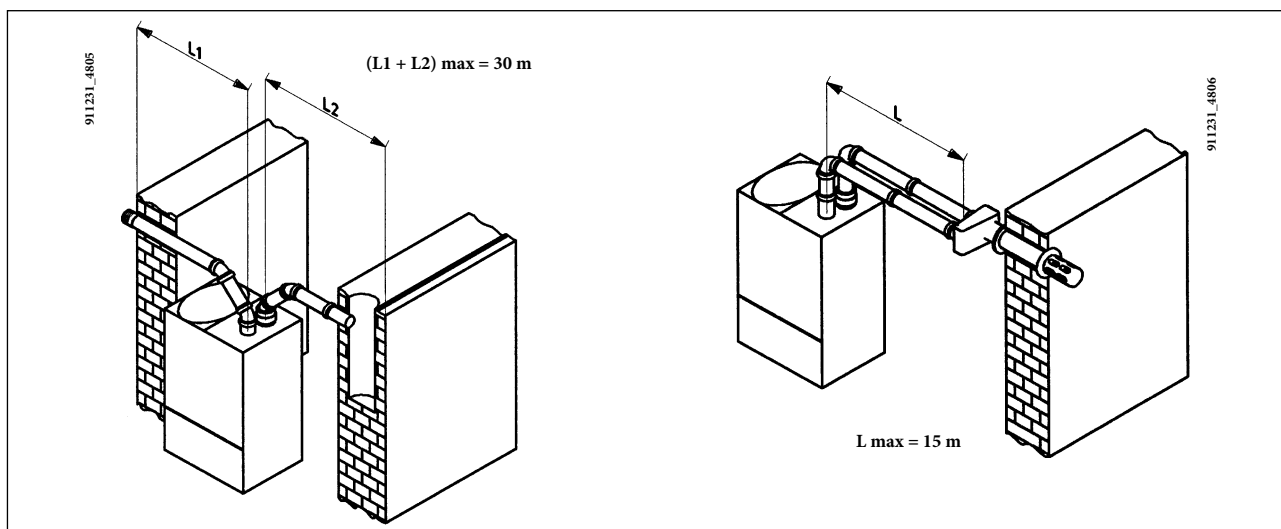
If the discharge duct is longer than 6 metres, install the condensate collection kit, supplied as an accessory, near the boiler.

IMPORTANT: if fitting a single flue duct, make sure it is adequately insulated (e.g.: with glass wool) wherever the duct passes through building walls.

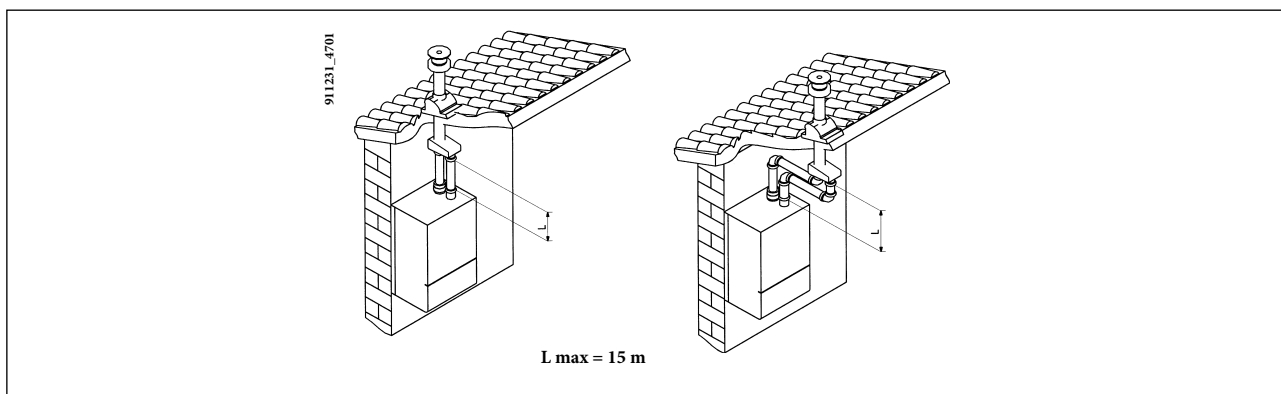
For detailed installation instructions, consult the technical data provided with the accessories.

16.4 INSTALLATION OPTIONS WITH SEPARATE DUCTS

IMPORTANT: Make sure there is a minimum downward slope towards the outside of 1 cm per metre of duct length. If the condensate collection kit is installed, the discharge duct must slope down towards the boiler.



16.5 INSTALLATION OPTIONS WITH SEPARATE VERTICAL DUCTS



17. ELECTRICAL CONNECTIONS

This machine is only electrically safe if it is correctly connected to an efficient earth system in compliance with current safety regulations.

Connect the boiler to a 230V single-phase earthed power supply using the supplied three-pin cable, observing correct LIVE-NEUTRAL polarity.

Use a double-pole switch with a contact separation of at least 3 mm.

When replacing the power supply cable, fit a harmonised HAR H05 VV-F' 3x0.75mm² cable with a maximum diameter of 8 mm.

Access to the power supply terminal block

- disconnect the boiler from the mains power supply using the two-pole switch;
- remove the two screws fixing the control panel to the boiler;
- rotate the control panel;
- remove the cover and access the wiring area (figure 10).

The 2A fast-blowing fuses are incorporated in the power supply terminal block (to check and/or replace the fuse, pull out the black fuse carrier).

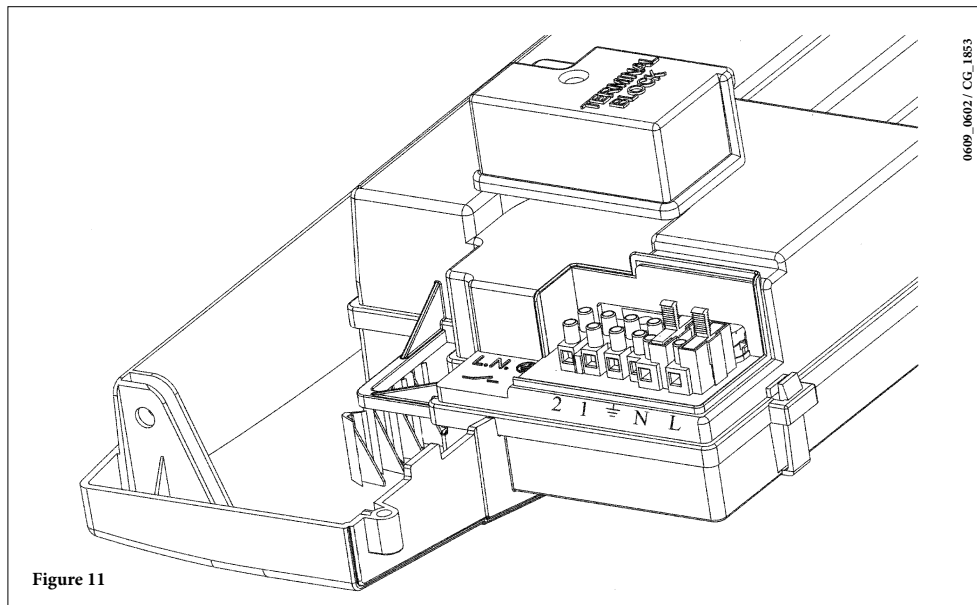
(L) = **Live** (brown)

(N) = **Neutral** (blue)

(⊕) = **Earth** (yellow-green)

(1) (2) = **Contact for ambient thermostat**

IMPORTANT: respect polarity L (LIVE) -N (NEUTRAL).



WARNING

If the appliance is directly connected to a underfloor system, install a safety thermostat to prevent the latter from overheating.

18. CONNECTING THE AMBIENT THERMOSTAT

- access the power supply terminal block (figure 11) as described in the previous section;
- remove the jumper on terminals (1) and (2);
- thread the two-wire cable through the grommet and connect it to these two terminals.

19. GAS CONVERSION METHODS

The authorised Technical Assistance Service can convert this boiler to natural gas (G20) or liquid gas (G31).

Carry out the following operations:

- A) replace the main burner nozzles;
- B) change the modulator voltage
- C) new max. and min. calibration of the pressure regulator

A) Replace the burner injectors;

- carefully pull the burner off its seat;
- replace the burner injectors making sure to fully tighten them to prevent gas leaks. Injector diameters are specified in table 1.

Replacing the diaphragm nozzle (for models 240/40 i - 240/60 i - 240/40 Fi and 240/60 Fi)

- remove the gas inlet hose (1 of Figure 12b);
- replace the diaphragm nozzle mounted on the gas valve (2);
- put back the gas inlet hose.


B) Change the modulator voltage

- set parameter **F02** according to the gas used, as described in section 21.

C) Calibrate the pressure regulator

- connect the positive pressure test point of a differential pressure gauge (possibly water-operated) to the gas valve pressure test point (**Pb**) (figure 12a). For models 240 i/Fi use the pressure tap (3) in the gas inlet hose (figure 12b). Only for models with sealed chambers, connect the negative pressure test point of the pressure gauge to a "T" fitting in order to join the boiler adjustment outlet, the gas valve adjustment outlet (**Pc**) and the pressure gauge. (The same measurement can be made by connecting the pressure gauge to the pressure test point (**Pb**) after removing the front panel of the sealed chamber);
Measuring burner pressure using methods other than those described could lead to incorrect results as the low pressure created by the fan in the sealed chamber would not be taken into account.

C1) adjustment to nominal heat output

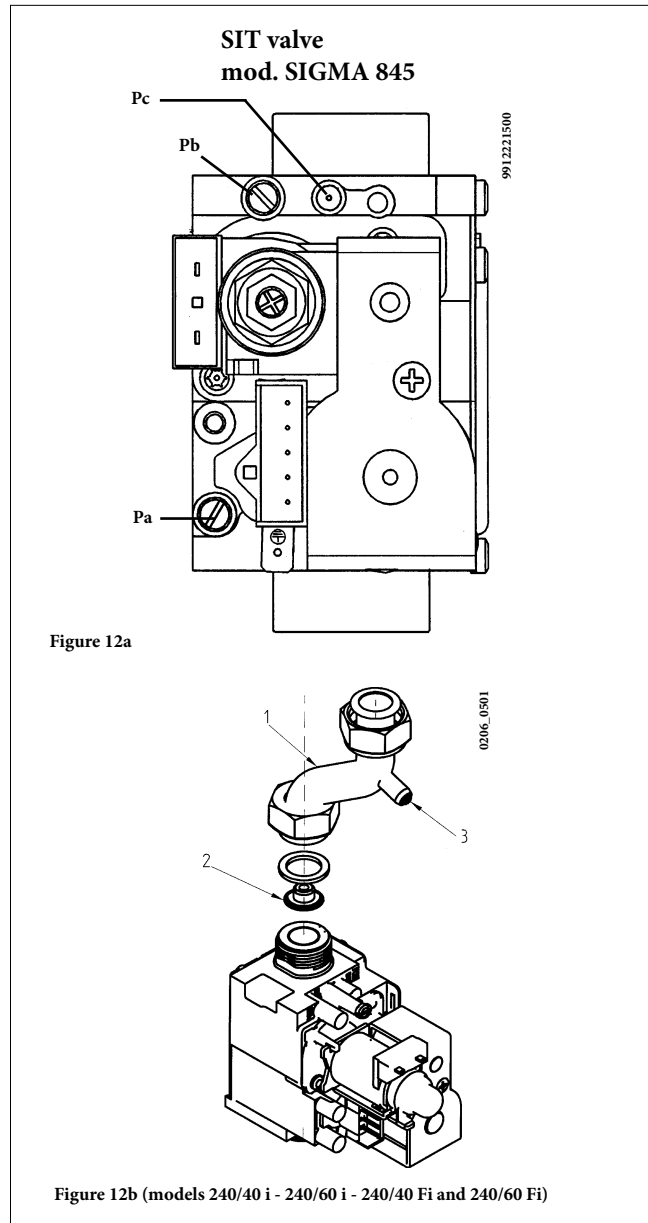
- open the gas tap;
- press  (section 3.2) and switch the boiler to the winter mode;
- open a hot water tap that can provide a flow rate of at least 10 litres a minute or make sure there is maximum heat demand;
- make sure that the dynamic inlet pressure of the boiler, measured at the gas valve pressure test point (**Pa**) (Figure 12a) is correct (30 mbar for butane, 37 mbar for propane or 20 mbar for natural gas).
- remove the modulator cover;
- adjust the brass screw of the sleeve until the pressure values shown in table 1 are obtained;

C2) Adjustment to reduced heat output

- disconnect the modulator power cable and unscrew the red screw until a pressure value corresponding to reduced heat output is achieved (see table 1);
- reconnect the wire;
- mount the modulator cover and seal the screw.

C3) Final checks

- attach the additional plate supplied with the transformer specifying the type of gas and the calibration performed.



Burner pressure table – power output

Type of gas	240/40 i - 240/60 i			240/40 Fi - 240/60 Fi			280/60 i			280/60 Fi		
	G20	G30	G31	G20	G30	G31	G20	G30	G31	G20	G30	G31
Diameter of nozzles (mm)	1,18	0,69	0,69	1,18	0,69	0,69	1,18	0,69	0,69	1,18	0,69	0,69
Burner pressure (mbar*)												
REDUCED PRESSURE (mbar)	1,6	3,9	6,9	1,6	3,9	6,9	1,6	3,8	5,7	1,7	4,3	5,9
Burner pressure (mbar*)												
RATED PRESSURE (mbar)	7,7	19,8	25,6	8,1	20,6	26,3	10,3	27,6	35,4	10,6	28,1	35,6
n°1 diaphragm diameter	4,5	3,5	3,5	4,5	3,5	3,5	-	-	-	-	-	-
N° nozzles	18											

* 1 mbar = 10,197 mm H₂O

Table 1

Power consumption table

Consumption 15 °C - 1013 mbar	240/40 i - 240/60 i			280/60 i		
	G20	G30	G31	G20	G30	G31
RATED POWER	2,87 m ³ /h	2,14 Kg/h	2,11 Kg/h	3,29 m ³ /h	2,45 Kg/h	2,42 Kg/h
REDUCED POWER	1,26 m ³ /h	0,94 Kg/h	0,92 Kg/h	1,26 m ³ /h	0,94 Kg/h	0,92 Kg/h
p.c.i.	34,02 MJ/m ³	45,60 MJ/Kg	46,30 MJ/Kg	34,02 MJ/m ³	45,60 MJ/Kg	46,30 MJ/Kg

Table 2

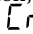
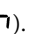
Consumption 15 °C - 1013 mbar	240/40 Fi - 240/60 Fi			280/60 Fi		
	G20	G30	G31	G20	G30	G31
RATED POWER	2,78 m ³ /h	2,07 Kg/h	2,04 Kg/h	3,18 m ³ /h	2,37 Kg/h	2,34 Kg/h
REDUCED POWER	1,26 m ³ /h	0,94 Kg/h	0,92 Kg/h	1,26 m ³ /h	0,94 Kg/h	0,92 Kg/h
p.c.i.	34,02 MJ/m ³	45,60 MJ/Kg	46,30 MJ/Kg	34,02 MJ/m ³	45,60 MJ/Kg	46,30 MJ/Kg

Table 2


20. INFORMATION ON DISPLAY

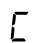
20.1 START-UP INFORMATION ON DISPLAY

To light the boiler correctly, proceed as follows:

- Power the boiler.
When the boiler is powered, the display shows the following information for about the first 10 seconds:
 - all symbols on;
 - manufacturer information;
 - manufacturer information;
 - manufacturer information;
 - boiler and gas type (e.g.  ).


The letters displayed have the following meanings:

 = open chamber boiler

 = sealed chamber boiler ;

 = NATURAL GAS used

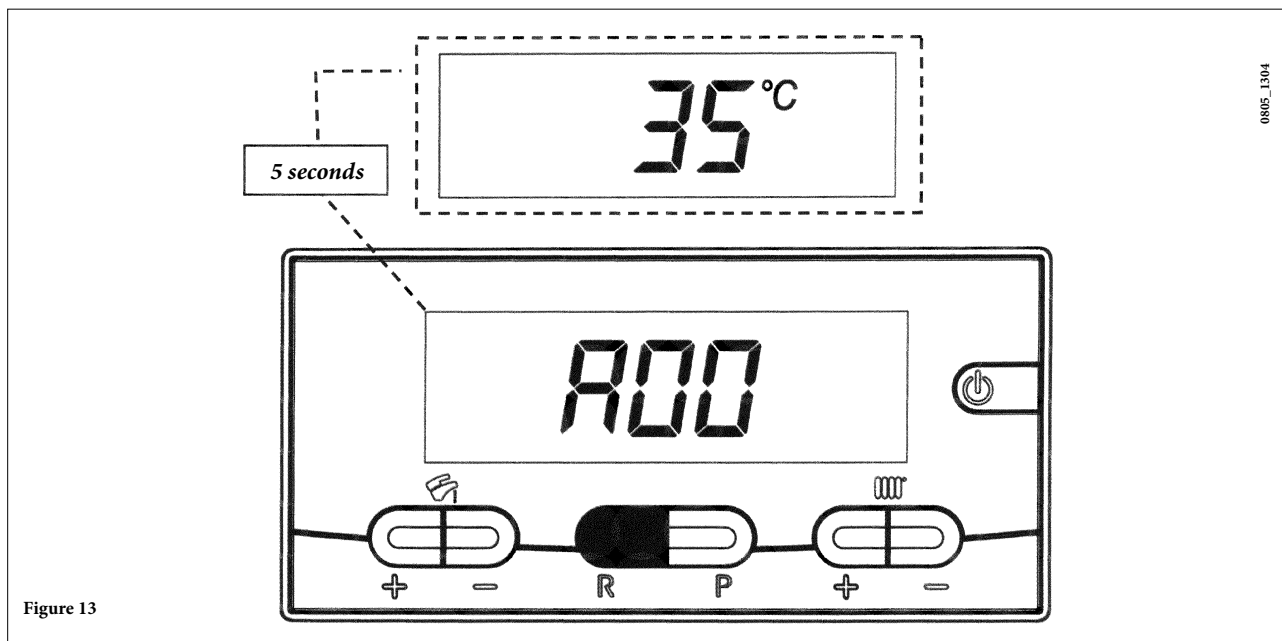
 = LPG used.


- hydraulic circuit setting;
 - software version (two numbers x.x);
- Open the gas tap;
 - Press button  (approx. 2 seconds) to set the boiler operating mode as described in section 3.2.

20.2 OPERATING INFORMATION

To display boiler operating information, proceed as follows:


- Press **R** for approx. 6 seconds. When the function is enabled, the display shows “A00” (...“A07”) alternating with the respective value (figure 13);



- Press the +/- DHW temperature adjustment buttons () to display the following information:


- A00:** instantaneous DHW temperature (°C);
- A01:** instantaneous external temperature (°C) (with external probe connected);
- A02:** current (%) at modulator (100% = 230 mA NATURAL GAS - 100% = 310 mA LPG);
- A03:** power range (%) (MAX R) - Parameter F13 (section 21);
- A04:** heating setpoint temperature (°C);
- A05:** instantaneous heating delivery temperature (°C);
- A06:** not used;
- A07:** flame signal (8-100%).

NOTE: display lines A08 and A09 are not used.

- This function remains active for 3 minutes. To interrupt the “INFO” function, press .

20.3 FAULTS DISPLAY

NOTE: 5 reset attempts can be performed after which the boiler shuts down. To make a new reset attempt, proceed as follows:

- press  selecting “OFF” (as described in section 3.2);
- press **R** for about 2 seconds, the display shows “OFF”;
- reset the boiler operating mode.

Fault codes and descriptions are shown in section 9.

20.4 SUPPLEMENTARY INFORMATION

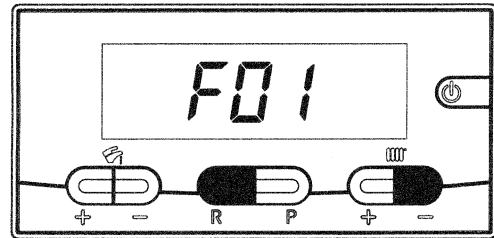
For more detailed technical information, please consult the “SERVICE INSTRUCTIONS”.

21. PARAMETER SETTINGS

To set the boiler parameters, press **R** and - (⏏) together and hold down for at least 6 seconds. When the function is active, the display shows “F01” alternating with the value of the relative parameter.

Change parameters

- To scroll the parameters press +/- (⏪/⏩);
- To modify individual parameters press +/- (⏏);
- To save the value press P. “MEM” appears on the display;
- To exit without saving, press ⏏, on the display. “ESC” appears.



0606_2903

	Factory settings	Description of parameters			
		240/40 Fi - 240/60 Fi	240/40 i - 240/60 i	280/60 i	280/60 Fi
F01	Type of boiler 10 = sealed chamber - 20 = open chamber	10	20	20	10
F02	Type of gas 00 = NATURAL GAS - 01 = LPG	00 o 01			
F03	Hydraulic system	06			
F04	Programmable relay 1 setting (02 = zone system - See Service instructions)	02			
F05	Programmable relay 2 setting (See Service instructions)	04			
F06	Ext probe configuration (See Service instructions).	00			
F07...F12	Manufacturer information	00			
F13	CH max. heat output (0-100%)	100			
F14	DHW max. heat output (0-100%)	100			
F15	CH min. heat output (0-100%)	00			
F16	Maximum temperature setpoint (°C) setting 00 = 85°C - 01 = 45°C	00			
F17	Pump overrun time in CH mode (01-240 minutes)	03			
F18	Burner ignition delay in CH mode (00-10 minutes) - 00=10 seconds	03			
F19	Manufacturer information	07			
F20	Manufacturer information	00			
F21	Anti-legionellosis function 00 = Disabled - 01 = Enabled	00			
F22	Manufacturer information	00			
F23	Maximum DHW setpoint	65			
F24	Manufacturer information	35			
F25	No water safety device	01			
F26...F29	Manufacturer information (read-only parameters)	--			
F30	Manufacturer information	10			
F31	Manufacturer information	00			
F32...F41	Diagnostics (See Service instructions)	--			
Final parameter	Calibration function activation (See Service instructions)	0			

WARNING: do not change the “manufacturer information” parameters.

22. ADJUSTMENT AND SAFETY DEVICES

This boiler has been designed in full compliance with European reference standards and, in particular, it is fitted with the following:

- **Air pressure switch for forced-flow models (240/40 Fi - 240/60 Fi and 280/60 Fi)**

This device only allows the main burner to ignite if the exhaust flue duct is in perfect working order.

In the event of one or more of the following faults:

- flue terminal obstructed
- venturi tubes obstructed
- fan blocked
- venturi tube connection - pressure switch tripped

The boiler remains on standby and error code E03 is displayed (see table in section 9).

- **Fumes thermostat for natural draught models (240/40 i - 240/60 i and 280/60 i)**

This device, the sensor of which is positioned to the left of the fumes hood, interrupts the flow of gas to the main burner if the flue is obstructed and/or there is no draught.

In these conditions, the boiler is blocked and only after the fault has been eliminated can it be ignited again (section 9).

- **Safety thermostat**

Thanks to a sensor placed on the heating delivery line, the thermostat interrupts the flow of gas to the burner if the water in the primary circuit overheats. In these conditions, the boiler is blocked and only after the fault has been eliminated can it be ignited again (section 9).

It is forbidden to disable this safety device

- **Flame ionisation detector**

The flame sensing electrode guarantees safety of operation in case of gas failure or incomplete ignition of the main burner.

In these conditions, the boiler blocks. To reset normal operations, see section 9.

- **Hydraulic differential pressure switch**

This device, mounted on the hydraulic unit, only allows the main burner to light if the pump is able to deliver the necessary head. It protects the water-fumes exchanger if there is no water or if the pump blocks.

- **Pump post-circulation**

The electronically-controlled pump post-circulation function lasts 3 minutes and is enabled, in the heating mode, if the ambient thermostat causes the main burner to go out.

- **Frost protection device**

The electronic boiler management system includes a "frost protection" function for the heating system which, when delivery temperature falls below 5°C, operates the burner until a delivery temperature of 30°C is reached. This function is enabled when the boiler is switched on, the gas supply is open and the system is correctly pressurised.

- **Anti-legionellosis function**

The anti-legionellosis function is NOT enabled.

To enable this function, set parameter F21=01 (as described in section 21). When the function is enabled, the electronic management of the boiler, at weekly intervals, heats the water contained in the storage boiler to over 60°C (the function only works if the water has never exceeded 60°C in the previous 7 days).

- **Anti-block pump function**

If no heat demand is received in the heating and/or DHW modes for 24 consecutive hours, the pump will automatically start and operate for 10 seconds. This function is operative when the boiler is powered.

- **Three-way valve anti-blockage function**

If no heat demand is received for a period of 24 hours, the three-way valve performs a complete switching cycle. This function is operative when the boiler is powered.

- **Hydraulic safety valve (heating circuit)**

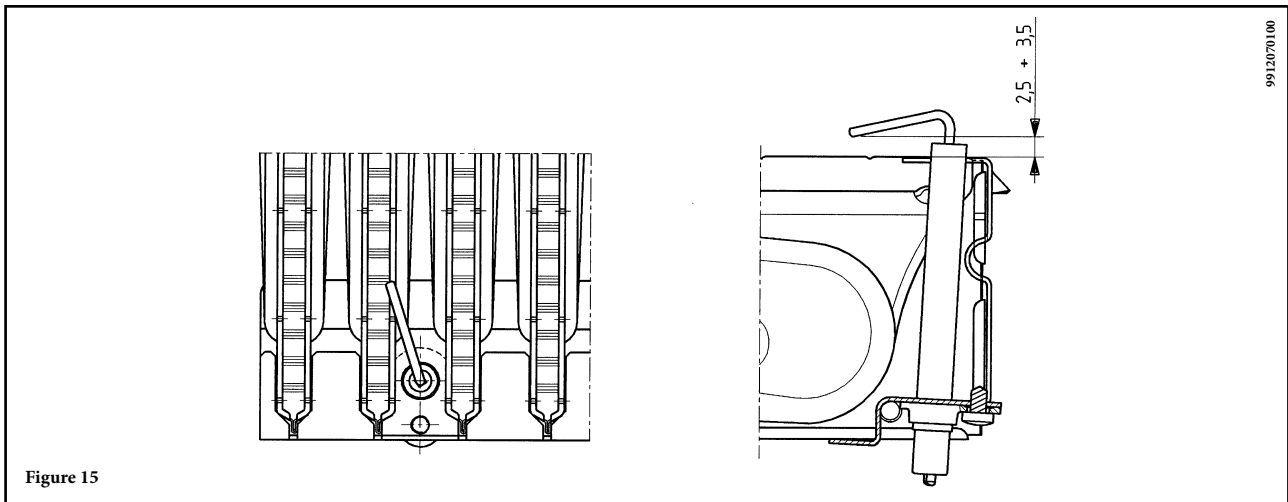
This device is set to 3 bar and is used for the heating circuit.

- **Hydraulic safety valve (DHW circuit)**

This device is set to 8 bar and is used for the DHW circuit (storage boiler).

Connect the safety valves to a drain trap. Do not use it to drain the heating and/or DHW circuit.

23. POSITIONING THE IGNITION AND FLAME-SENSOR ELECTRODE



24. CHECKING COMBUSTION PARAMETERS

To measure combustion performance and the toxicity of the products of combustion, the forced-flow boilers are fitted with two dedicated taps on the concentric connector.

One test point is connected to the exhaust duct and is used to measure combustion efficiency and the toxicity of the products of combustion.

The other is connected to the air intake duct and is used to check for the presence of any products of combustion circulating in installations with co-axial flues.

The following parameters can be measured using the test point connected to the exhaust duct:

- temperature of the products of combustion;
- concentration of oxygen (O₂) or, alternatively, carbon dioxide (CO₂);
- concentration of carbon monoxide (CO).

The temperature of the comburent air must be measured on the tap located on the air flue of the concentric connector.

For natural draught boiler models, a hole must be made in the exhaust duct at a distance from the boiler equal to twice the internal diameter of the flue.

The following parameters can be measured inside this hole:

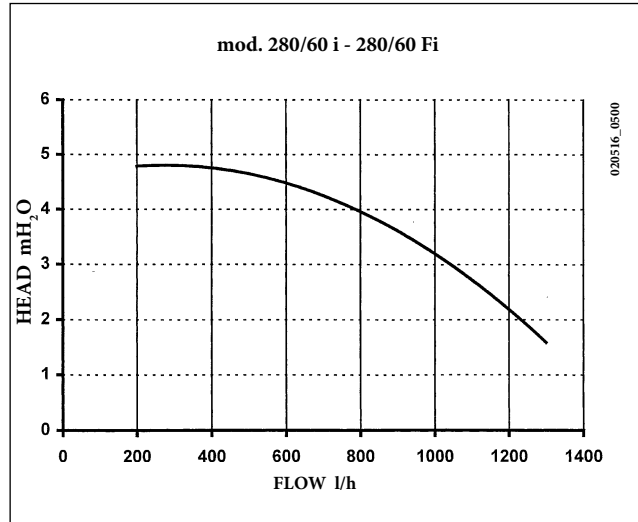
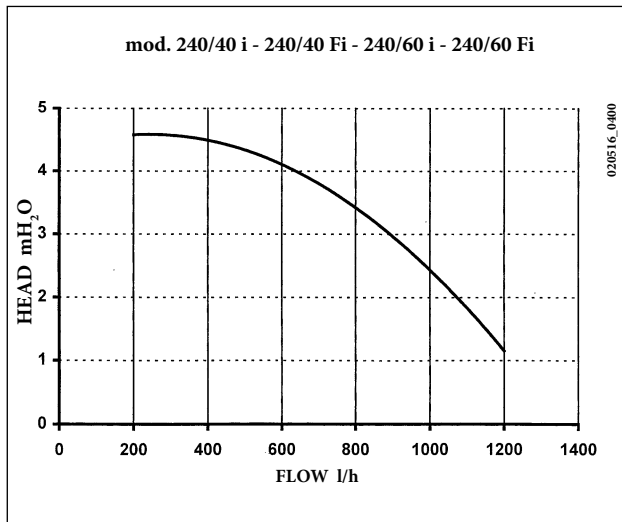
- temperature of the products of combustion;
- concentration of oxygen (O₂) or, alternatively, carbon dioxide (CO₂);
- concentration of carbon monoxide (CO).

The temperature of the combustion air must be measured close to the point where the air enters the boiler.

The hole, which must be made by the person in charge of the system during commissioning, must be sealed so as to ensure that the exhaust duct is airtight during normal operation.

25. OUTPUT/PUMP HEAD PERFORMANCE

A high static head pump, suitable for installation on any type of single- or double-pipe heating system, is used. The automatic air valve incorporated in the pump allows quick venting of the heating system.



NOTE: An oversize pump with the same characteristics as the pump mounted on the Boyler Digit 280 models is available for the Boyler Digit 240 models.

26. DRAINING THE STORAGE BOILER

Drain the water in the storage boiler as follows:

- close the water inlet tap;
- open a user tap;
- unscrew the ring nut from the relative drain tap (Fig. 15);
- loosen the nut on the DHW outlet pipe on the storage boiler,

27. DHW EXPANSION VESSEL (AVAILABLE ON REQUEST)

Expansion vessel kit comprising:

- 1 stainless steel expansion vessel;
- 1 support for expansion vessel;
- 1 connection hose.
- 1 Ø 8 hose connecting the DHW expansion vessel.

Connect the hose (supplied as an accessory in the expansion vessel kit) to the two connectors A and B as shown in figure 15.

The DHW expansion vessel should be mounted if:

- the pressure of the water supply or lifting system is such as to require the installation of a pressure reducer (pressure higher than 4 bar)
- a non-return valve is fitted to the water supply line
- the water supply network is insufficient for the expansion of the water contained in the storage boiler and it is necessary to use the DHW expansion vessel.

Tip

For the efficient operation of the expansion vessel, the pressure of the water supply must be lower than 4 bar. If it is not, install a pressure reducer. Adjust the pressure reducer to obtain a water supply pressure less than 4 bar.

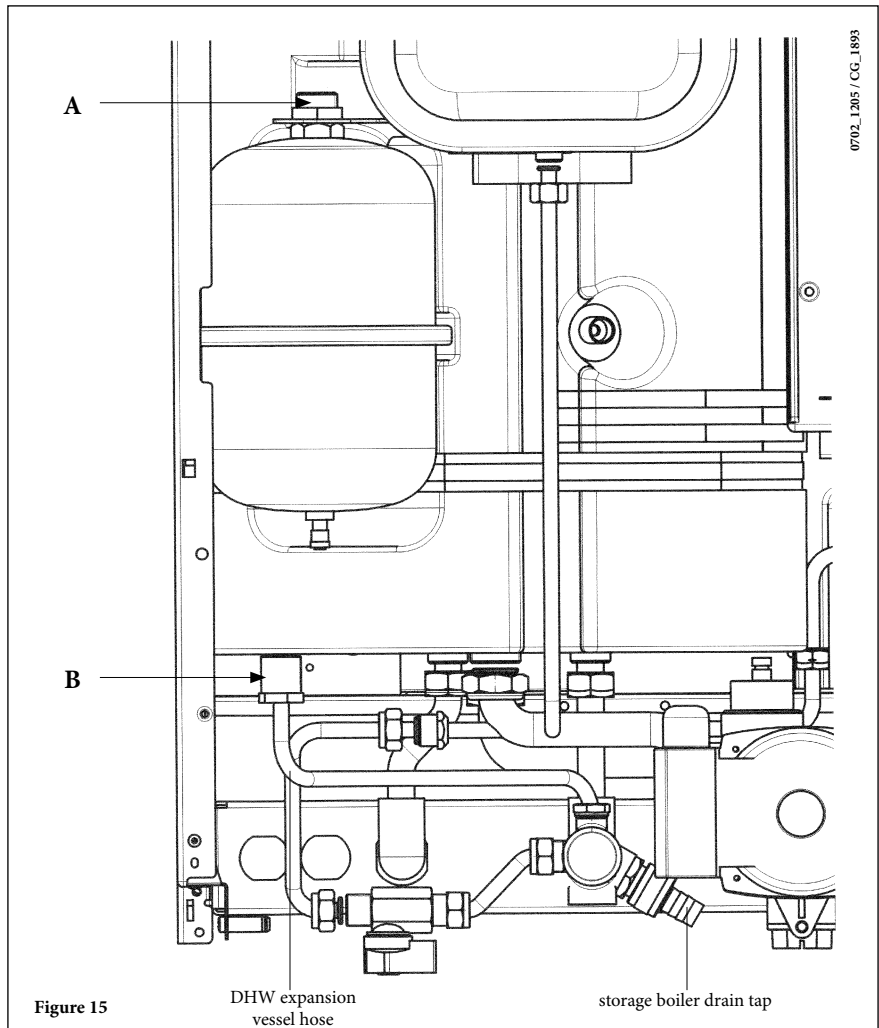


Figure 15

DHW expansion vessel hose

storage boiler drain tap

For special areas, where the water is harder than 25 °F (1 °F = 10 mg calcium carbonate per litre of water), install a polyphosphate dispenser or an equivalent treatment system, compliant with current regulations.

28. CONNECTING THE EXTERNAL PROBE

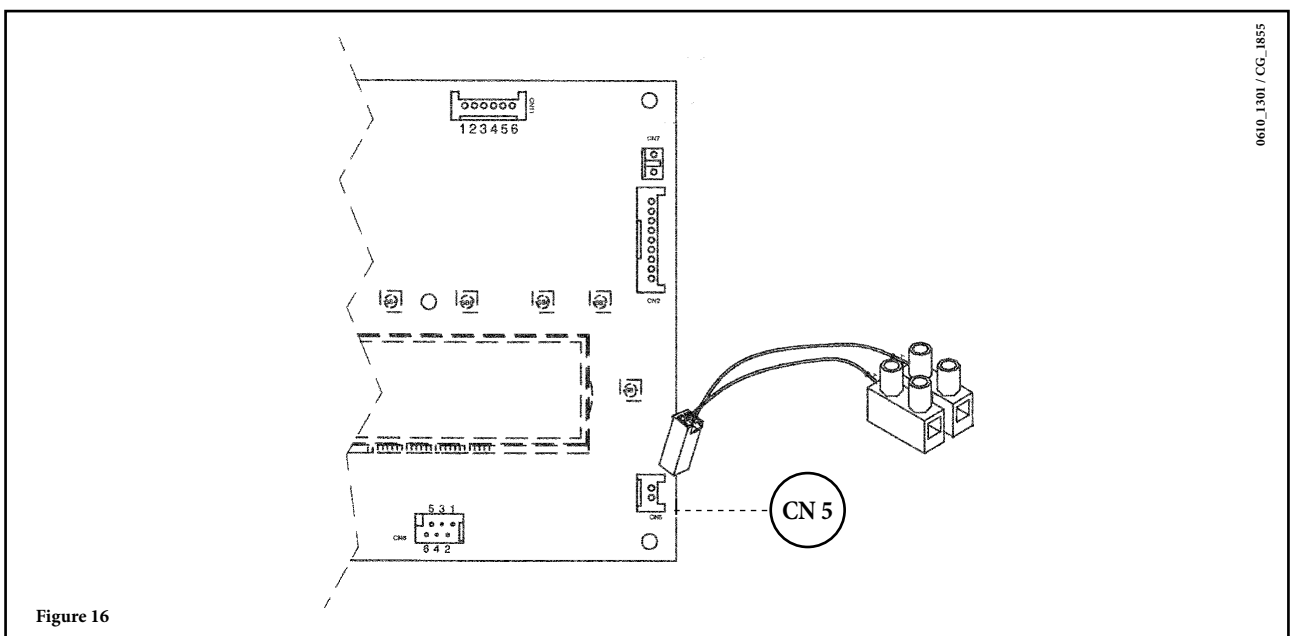


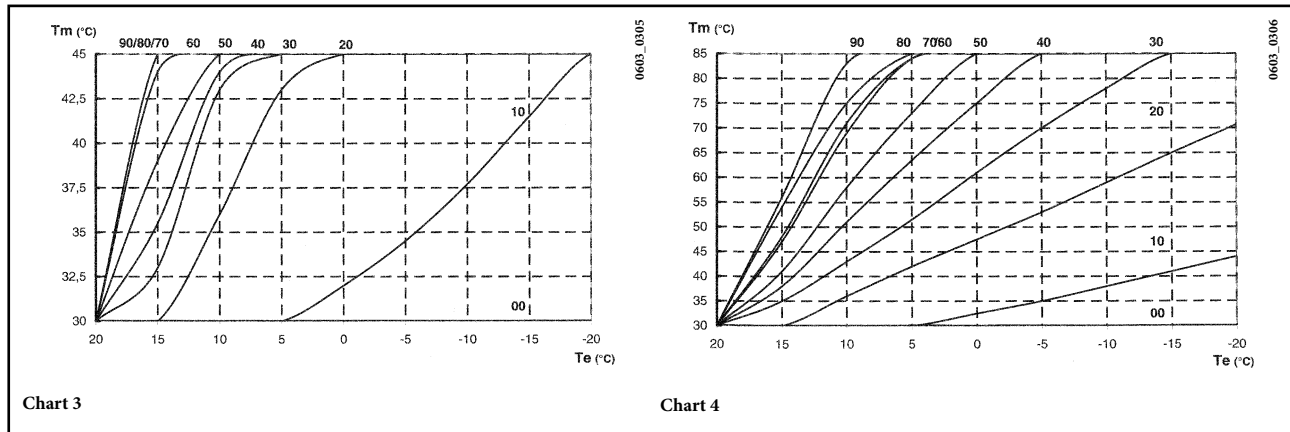
Figure 16

An external probe, supplied as an accessory, can be connected to the boiler.
For connections, see figure 16 and the instructions provided with the probe.

With the external probe connected, buttons +/- adjusting the heating circuit temperature III (figure 1) regulates the coefficient of heat dispersion (1...90). Charts 3 and 4 show the correspondence between the set value and the relative curves. Intermediate curves can also be selected.

IMPORTANT: the delivery temperature **TM** depends on parameter **F16** (see section 21). Max. temperature, in fact, can be set at 85 or 45 °C.

Curve kt



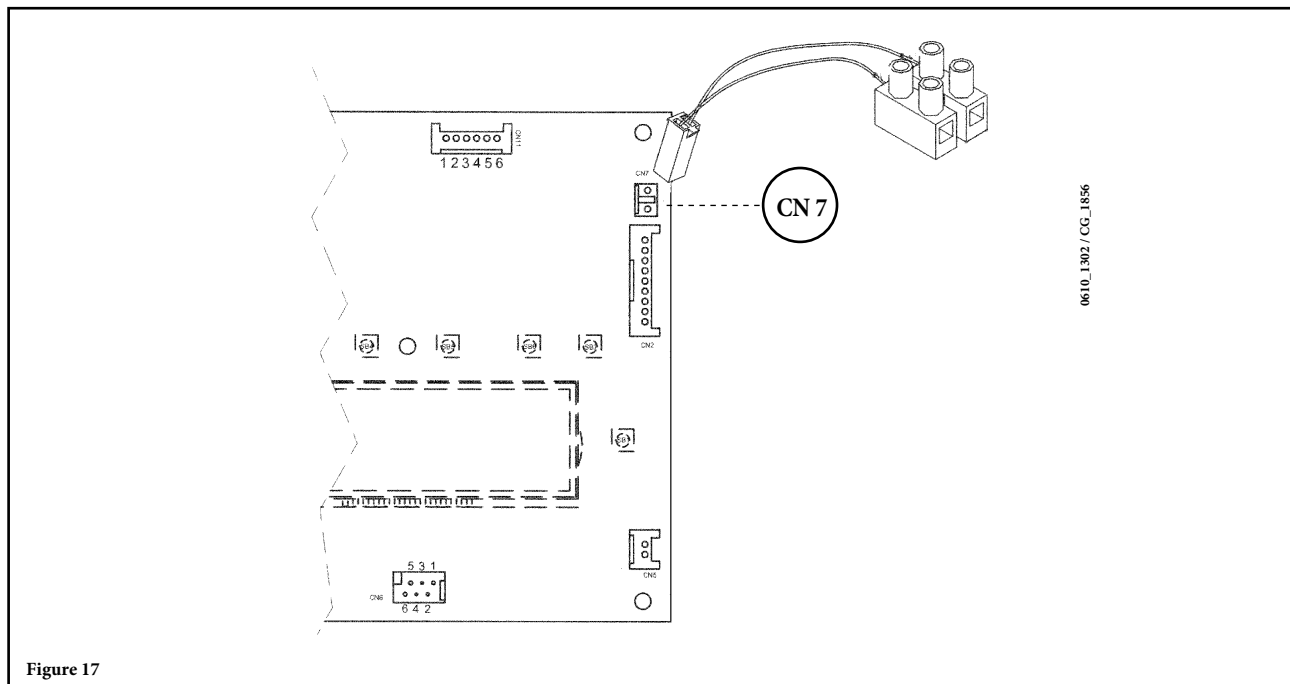
TM = Delivery temperature
Te = External temperature

29. CONNECTING THE REMOTE CONTROL UNIT

(SUPPLIED AS AN ACCESSORY)

The remote control device is not a standard boiler component as it is supplied as an accessory.

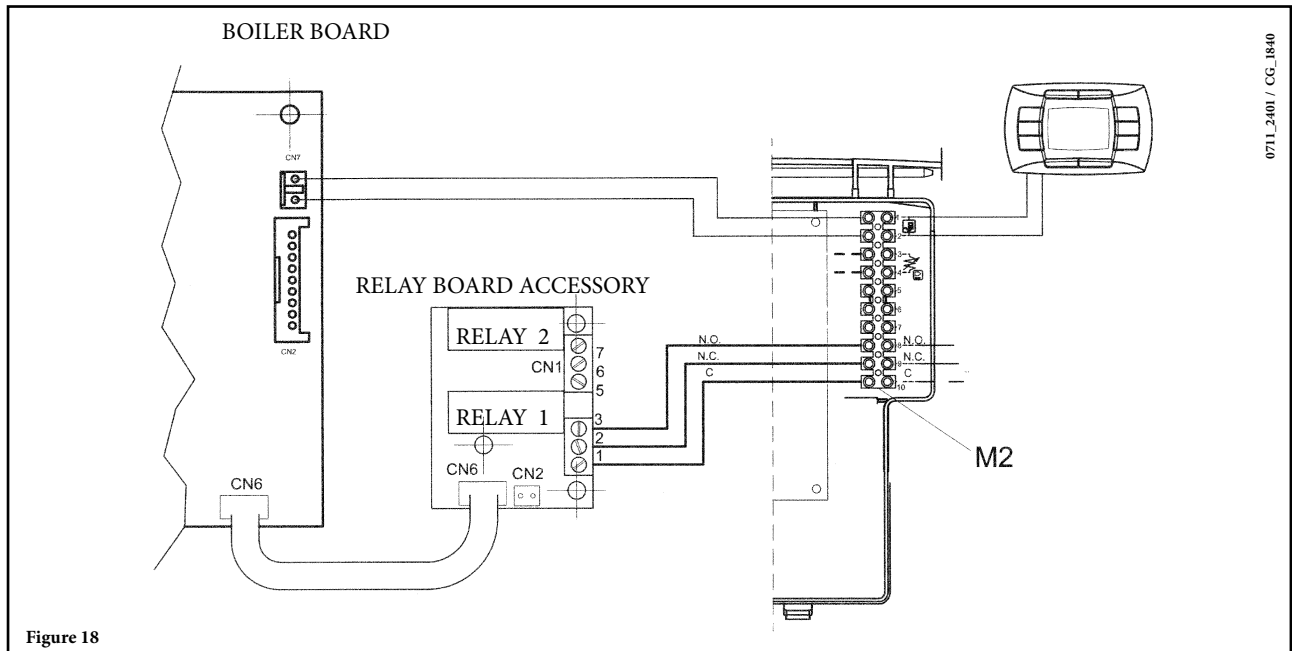
Open the electronic board and connect the cable (supplied together with the two-pin terminal board) to connector Cn7 on the electronic boiler board. Connect the terminals of the remote control device to the two-pin terminal board (figure 17).



30. CONNECTING A ZONE HEATING SYSTEM

30.1 - CONNECTING THE NETWORK BOARD

The relay board is not a standard boiler component and is supplied as an accessory. Connect terminals 1-2-3 of connector CN1 on the relay board, to the respective terminals 10-9-8 of terminal board M2 (figure 18).

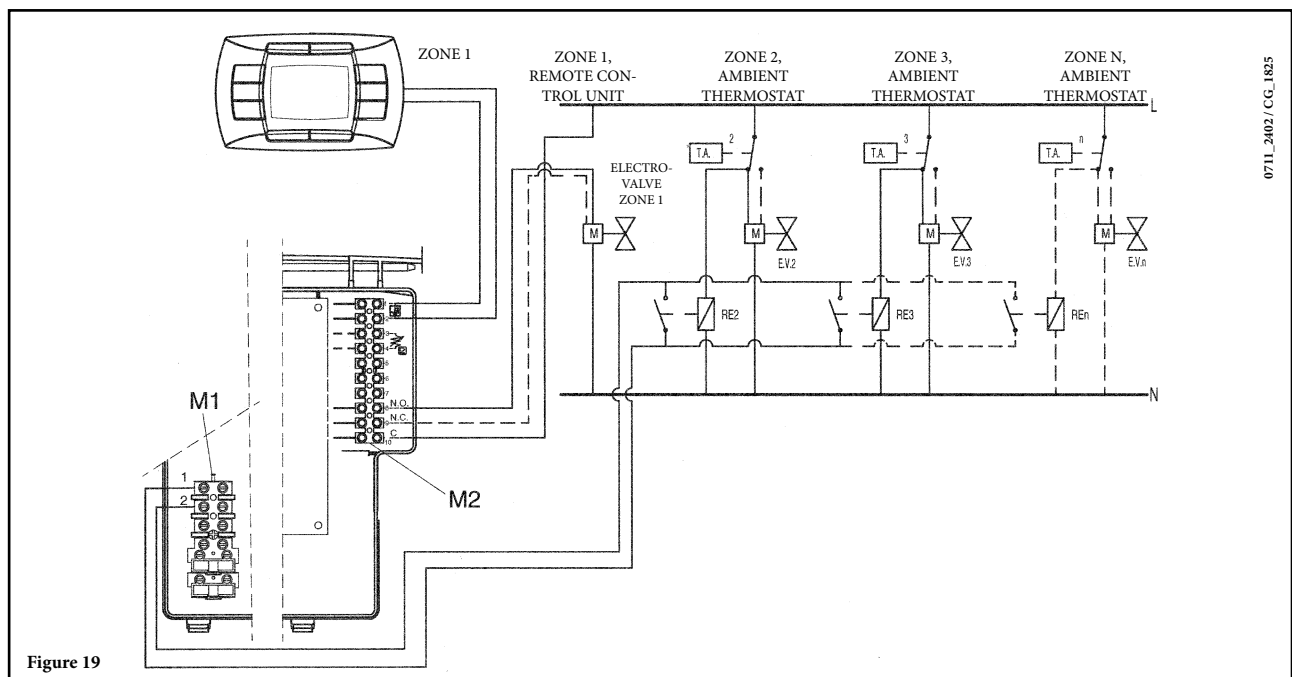


30.2 - CONNECTING THE ZONES

Connect the contact relative to heating requests in zones that are not controlled by the remote control device in parallel to terminals 1-2 "TA" on terminal board M1.

Remove the jumper.

The zone controlled by the remote control device is managed by the zone 1 solenoid, as illustrated in figure 19.



IMPORTANT: make sure parameter F04 = 2 (as per factory setting – section 21).

31. ANNUAL SERVICE

To optimise boiler efficiency, carry out the following annual controls:

- check the appearance and airtightness of the gaskets of the gas and combustion circuits;
- check the state and correct position of the ignition and flame-sensing electrodes;
- check the state of the burner and make sure it is firmly fixed to the aluminium flange;
- check for any impurities inside the combustion chamber. Use a vacuum cleaner to do this;
- check the gas valve is correctly calibrated;
- check for any impurities inside the siphon;
- check the pressure of the heating system;
- check the pressure of the expansion vessel;
- check the fan works correctly;
- make sure the flue and air ducts are unobstructed;
- check the magnesium anode, where present, for boilers fitted with storage boilers.

WARNINGS

Before commencing any maintenance operations, make sure the boiler is disconnected from the power supply. Afterwards, move the knobs and/or operating parameters of the boiler to their original positions.

32. FUNCTIONAL CIRCUIT DIAGRAM

240/40 i - 240/60 i - 280/60 i

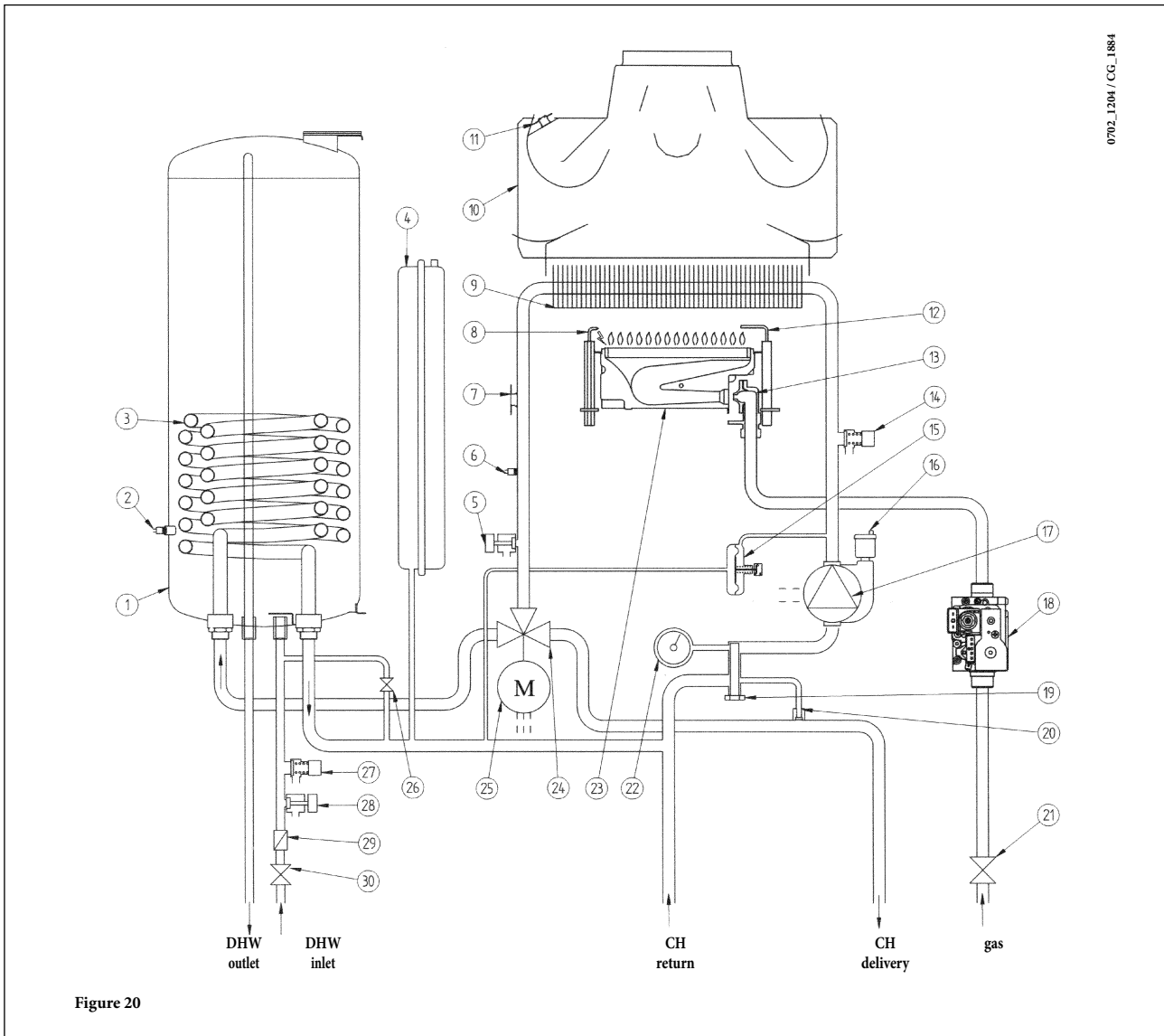


Figure 20

Legend:

- | | |
|---|--------------------------------------|
| 1 boiler | 17 pump with air separator |
| 2 boiler probe | 18 gas valve |
| 3 DHW exchanger | 19 heating return filter |
| 4 expansion vessel | 20 automatic by-pass |
| 5 boiler drain tap | 21 gas tap |
| 6 NTC heating probe | 22 pressure gauge |
| 7 safety thermostat | 23 burner |
| 8 ignition electrode | 24 three-way valve |
| 9 water-fumes exchanger | 25 three-way valve motor |
| 10 fumes hood | 26 boiler filling tap |
| 11 fumes thermostat | 27 safety valve on DHW circuit 8 bar |
| 12 flame detection electrode | 28 boiler discharge tap |
| 13 gas train with injectors | 29 flow adjuster |
| 14 safety valve on heating circuit 3 bar | 30 water supply tap |
| 15 differential hydraulic pressure switch | |
| 16 automatic vent valve | |

240/40 Fi - 240/60 Fi - 280/60 Fi

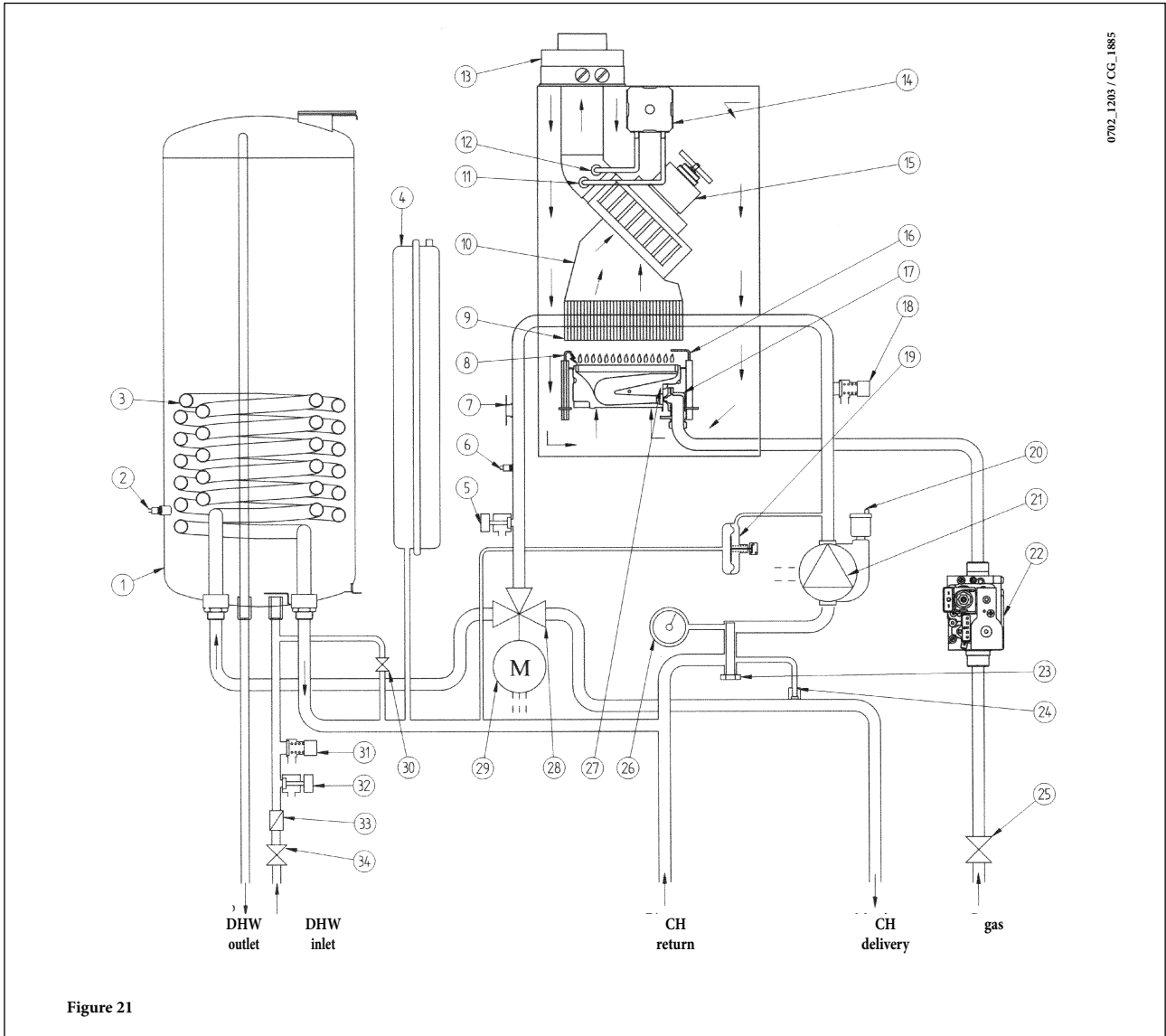


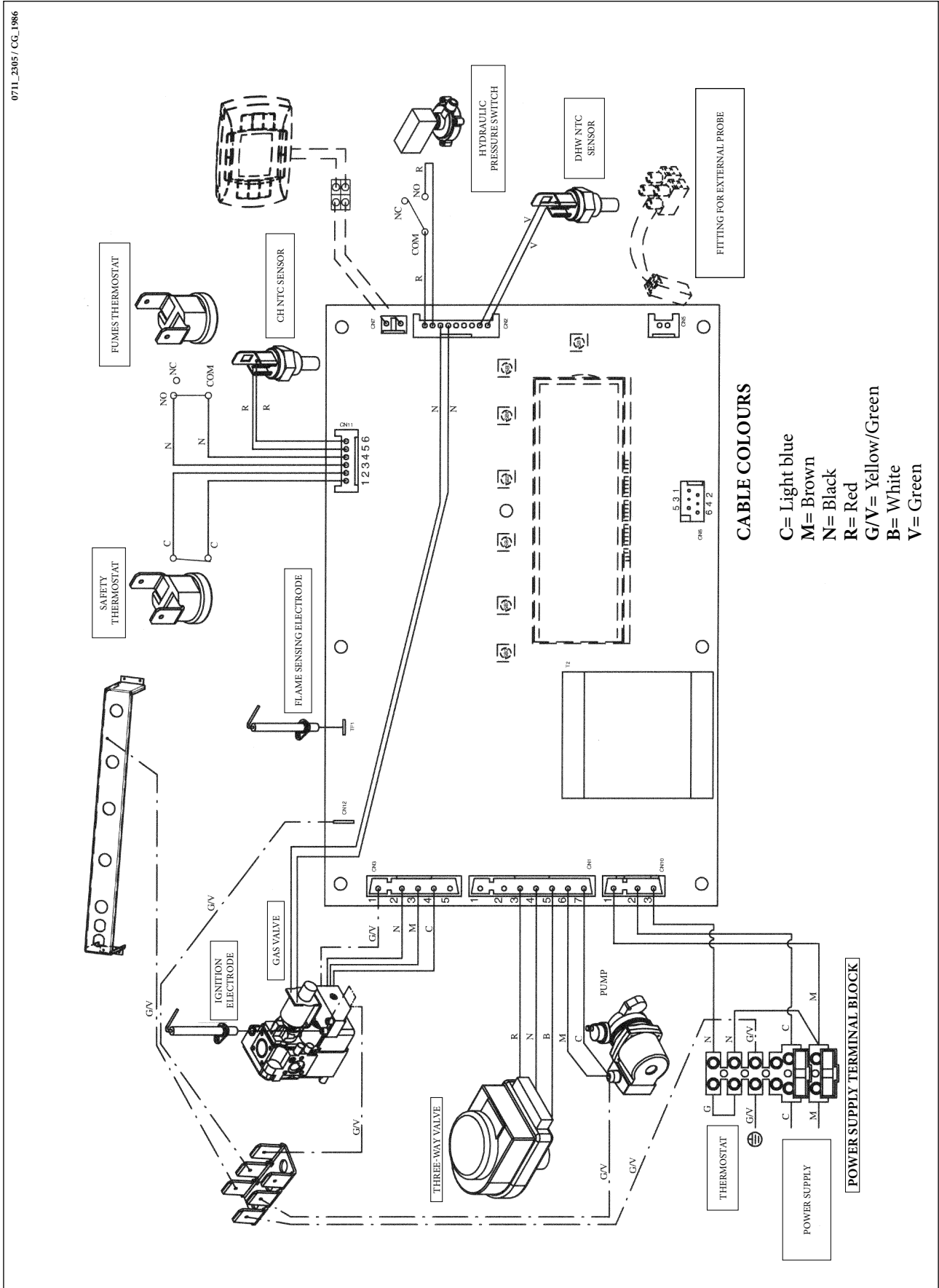
Figure 21

Legend:

- | | |
|------------------------------|---|
| 1 boiler | 18 safety valve on heating circuit 3 bar |
| 2 boiler probe | 19 differential hydraulic pressure switch |
| 3 DHW exchanger | 20 automatic vent valve |
| 4 expansion vessel | 21 pump with air separator |
| 5 boiler drain tap | 22 gas valve |
| 6 NTC heating probe | 23 heating return filter |
| 7 safety thermostat | 24 automatic by-pass |
| 8 ignition electrode | 25 gas tap |
| 9 water-fumes exchanger | 26 pressure gauge |
| 10 fumes conveyor | 27 burner |
| 11 negative pressure point | 28 three-way valve |
| 12 positive pressure point | 29 three-way valve motor |
| 13 concentric connector | 30 boiler filling tap |
| 14 air pressure switch | 31 safety valve on DHW circuit 8 bar |
| 15 fan | 32 boiler discharge tap |
| 16 flame detection electrode | 33 flow adjuster |
| 17 gas train with injectors | 34 water supply tap |

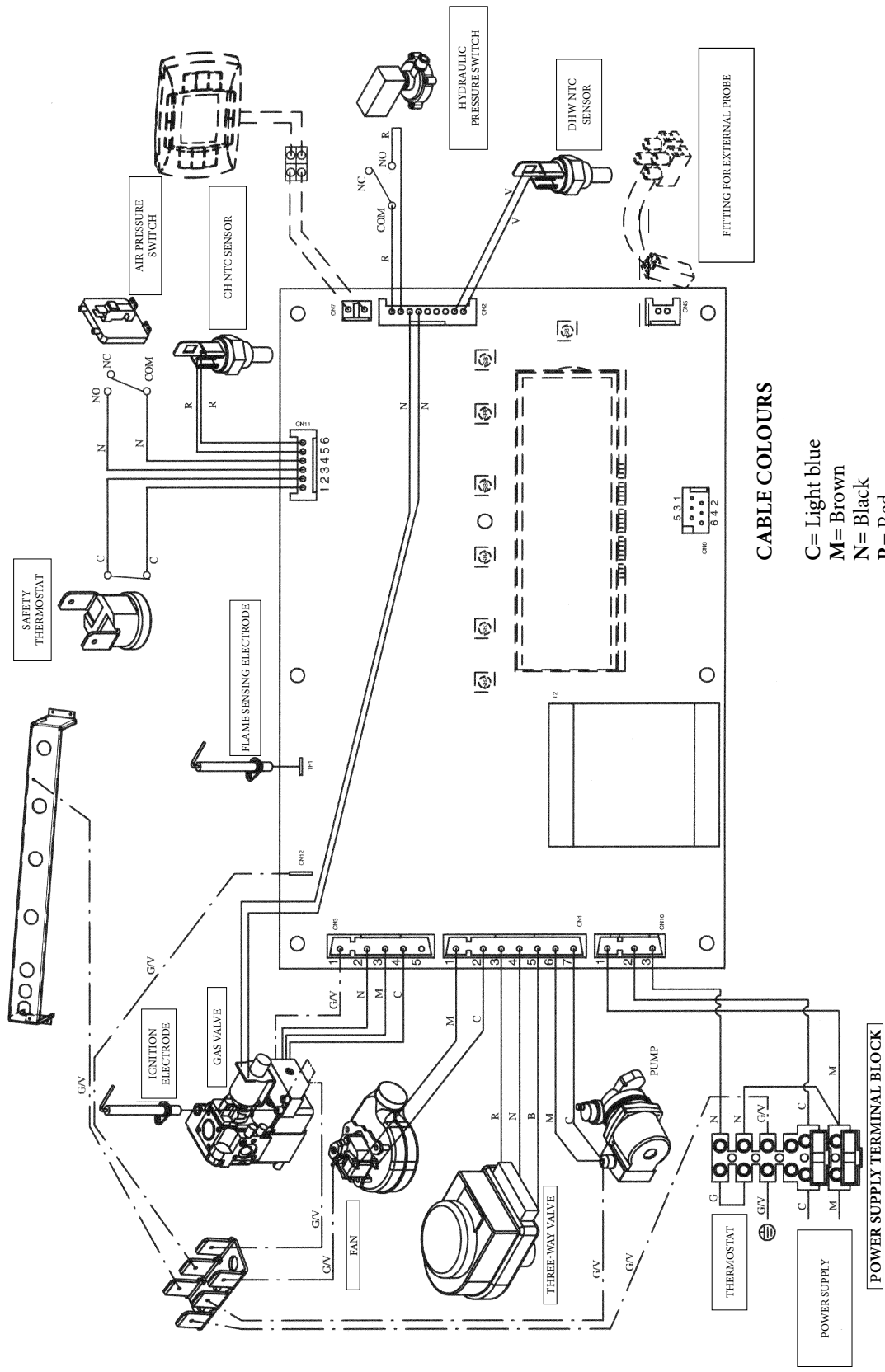
33. ILLUSTRATED WIRING DIAGRAM

240/40 i - 240/60 i - 280/60 i



240/40 Fi - 240/60 Fi - 280/60 Fi

071L_2306 / CG_1985



CABLE COLOURS

- C= Light blue
- M= Brown
- N= Black
- R= Red
- G/V= Yellow/Green
- B= White
- V= Green

34. TECHNICAL CHARACTERISTICS

Boiler model BOYLER DIGIT		240/40 i	240/60 i	280/60 i	240/40 Fi	240/60 Fi	280/60 Fi
Category		II _{2H3+}	II _{2H3+}	II _{2H3+}	II _{2H3+}	II _{2H3+}	II _{2H3+}
Rated heat input	kW	27,1	27,1	31,1	26,3	26,3	30,1
Reduced heat input	kW	11,9	11,9	11,9	11,9	11,9	11,9
Rated heat output	kW	24,4	24,4	28	24,4	24,4	28
	kcal/h	21.000	21.000	24.080	21.000	21.000	24.080
Reduced heat output	kW	10,4	10,4	10,4	10,4	10,4	10,4
	kcal/h	8.900	8.900	8.900	8.900	8.900	8.900
Efficiency according to Directive 92/42/EEC	-	★★	★★	★★	★★★	★★★	★★★
Max. pressure in central heating system	bar	3	3	3	3	3	3
Capacity of expansion vessel	l	7,5	7,5	7,5	7,5	7,5	7,5
Capacity of storage boiler	l	40	60	60	40	60	60
Pressure of expansion vessel	bar	0,5	0,5	0,5	0,5	0,5	0,5
DHW production at outlet ΔT=30°C	l/30min	350	390	450	350	390	450
Max. pressure in DHW system	bar	8	8	8	8	8	8
DHW production at ΔT=25 °C	l/min	14	14	16,1	14	14	16,1
DHW production at ΔT=35 °C	l/min	10	10	11,5	10	10	11,5
Specific output (*)	l/min	14,5	18,2	19	14,5	18,2	19
Type	—	B _{11BS}	B _{11BS}	C12 - C32 - C42 - C52 - C82 - B22			
Diameter of concentric flue duct	mm	—	—	—	60	60	60
Diameter of concentric air duct	mm	—	—	—	100	100	100
Diameter of 2-pipe flue duct	mm	—	—	—	80	80	80
Diameter of 2-pipe air duct	mm	—	—	—	80	80	80
Diameter of flue duct	mm	140	140	140	—	—	—
Max. mass flow of fumes	kg/s	0,022	0,022	0,024	0,022	0,018	0,018
Min. mass flow of fumes	kg/s	0,021	0,021	0,021	0,019	0,017	0,018
Fumes temperature max.	°C	110	110	115	134	134	142
Fumes temperature min.	°C	82	82	82	108	108	108
NOx class	—	3	3	3	3	3	3
Type of gas	—	G20	G20	G20	G20	G20	G20
	—	G30-G31	G30-G31	G30-G31	G30-G31	G30-G31	G30-G31
G20 natural gas supply pressure	mbar	20	20	20	20	20	20
G30 butane supply pressure	mbar	28-30	28-30	28-30	28-30	28-30	28-30
G31 propane supply pressure	mbar	37	37	37	37	37	37
Power supply voltage	V	230	230	230	230	230	230
Input frequency	Hz	50	50	50	50	50	50
Rated electrical input	W	110	110	110	190	190	190
Net weight	kg	60	60	60	70	70	70
Dimensions	height	mm	950	950	950	950	950
	width	mm	600	600	600	600	600
	depth	mm	466	466	466	466	466
Protection against humidity and water penetration (**)	—	IP X5D	IP X5D	IP X5D	IP X5D	IP X5D	IP X5D

(*) according to EN 625

(**) according to EN 60529

As WESTEN constantly strives to improve its products, it reserves the right to modify the information contained in this document at any time and without prior notice. This document is issued purely for the sake of information and should not be considered as a contract with third parties.

Stimat client,

Suntem siguri că noua noastră centrală va răspunde tuturor cerințelor dv.

Cumpărarea unuia dintre produsele noastre vă va satisface așteptările: funcționare optimă, simplitate și ușurință în folosire.

Nu aruncați acest manual fără-l citi: în el veți găsi informații foarte utile, care vă vor ajuta să utilizați centrala în mod corect și eficient.

Nu lăsați la îndemâna copiilor materialele de ambalaj (saci de plastic, polistiren etc.) deoarece reprezintă o potențială sursă de pericol.

Centralele noastre poartă marca CE, în conformitate cu cerințele de bază din următoarele Directive:

- Directiva Aparate cu Gaz 90/396/CEE
- Directiva Eficiență 92/42/CEE
- Directiva Compatibilitate Electromagnetică 2004/108/CEE
- Directiva Joasă Tensiune 2006/95/CE



CUPRINS

INSTRUCȚIUNI PENTRU UTILIZATOR

1. Instrucțiuni înainte de instalare	32
2. Instrucțiuni înainte de punerea în funcțiune	32
3. Punerea în funcțiune a centralei	33
4. Reglarea temperaturii apei pentru încălzire și menajeră	34
5. Umplerea centralei	35
6. Oprirea centralei	35
7. Oprirea îndelungată a instalației. Protecția anti-îngheț	35
8. Modificarea tipului de gaz	35
9. Indicatoare - Intrarea în funcțiune a dispozitivelor de siguranță	36
10. Instrucțiuni de întreținere	36

INSTRUCȚIUNI PENTRU INSTALATOR

11. Informații generale	37
12. Instrucțiuni înainte de instalare	37
13. Instalarea centralei	38
14. Dimensiunile centralei	38
15. Dotatie livrată ca accesoriu	39
16. Instalarea conductelor de evacuare gaze arse și admisie aer	39
17. Conectarea la rețeaua electrică	43
18. Conectarea termostatului ambiental	43
19. Modalități de modificare a tipului de gaz	44
20. Vizualizare informații	46
21. Reglarea parametrilor	48
22. Dispozitive de control și funcționare	49
23. Poziționarea electrozului-senzor pentru aprindere și flacără	50
24. Verificarea parametrilor de combustie	50
25. Performanțe debit / înălțime de pompare	51
26. Evacuarea apei din boiler	51
27. Vas de expansiune circuit de apă menajeră (accesoriu la cerere)	51
28. Conectarea sondei externe	52
29. Conectarea electrică a comenzii la distanță	53
30. Conexiunile electrice la o instalație multi-zone	54
31. Întreținerea anuală	55
32. Schema centralei	56-57
33. Schema ilustrată a conexiunilor	58-59
34. Date tehnice	60

1. INSTRUCȚIUNI ÎNAINTE DE INSTALARE

Această centrală este destinată încălzirii apei la o temperatură inferioară celei de fierbere la presiune atmosferică. Centrala trebuie să fie racordată la o instalație de încălzire centrală și la o instalație pentru apă caldă menajeră, în conformitate cu performanțele sale și cu puterea de ieșire. Centrala trebuie să fie instalată de Personal Calificat și trebuie să se efectueze următoarele operații:

- a) să se verifice cu grijă că centrala este adecvată pentru funcționarea cu tipul de gaz disponibil. Pentru informații mai detaliate vezi indicațiile de pe ambalaj și eticheta de pe aparat.
- b) să se verifice cu grijă că tirajul coșului pentru gaze arse este adecvat; că hornul nu este blocat și că prin același coș de evacuare nu sunt evacuate și gazele arse care provin de la alte aparate, în afară de cazul în care coșul este proiectat în mod special pentru a colecta gazele arse de la mai multe aparate, conform legilor și reglementărilor în vigoare.
- c) să se verifice cu grijă, în cazul racordării hornului la hornuri preexistente, că acestea au fost curățate perfect, întrucât produsele reziduale de ardere se pot desprinde de pe pereți în timpul funcționării centralei și pot bloca hornul.
- d) pentru a asigura funcționarea corectă a aparatului și pentru a evita anularea garanției, respectați următoarele măsuri de precauție:

1. Circuitul pentru apă caldă:

1.1. Dacă durezza apei e mai mare de 20 °F (1 °F = 10 mg de carbonat de calciu la un litru de apă) se recomandă instalarea unui sistem de tratament cu polifosfați sau a unui sistem cu efect similar, în conformitate cu normele în vigoare.

1.2. Circuitul de apă caldă menajeră trebuie să fie golit complet după instalarea aparatului și înainte de utilizarea sa.

2. Circuitul de încălzire

2.1. instalație nouă

Înainte de a trece la instalarea centralei, instalația trebuie curățată și golită în mod corespunzător, pentru a elimina bavrurile rămase în urma sudurii, zgura și eventualii solvenți, folosind produse speciale adecvate.

Pentru a evita deteriorarea pieselor din metal, plastic și cauciuc, folosiți numai substanțe de curățare neutre, adică neacide și nealcaline. Produsele recomandate pentru curățare sunt:

SENTINEL X300 sau X400 și FERNOX Regenerator pentru instalațiile de încălzire. Pentru a utiliza acest produs urmați cu strictețe instrucțiunile producătorului.

2.2. instalație existentă

Înainte de a trece la instalarea centralei, instalația trebuie curățată și golită pentru a îndepărta depunerile de noroi și substanțele contaminante, folosind produse speciale adecvate, așa cum se indică în secțiunea 2.1.

Pentru a evita deteriorarea pieselor din metal, plastic și cauciuc, folosiți numai substanțe de curățare neutre, adică neacide și nealcaline, precum SENTINEL X100 și FERNOX protector pentru instalațiile de încălzire. Pentru a utiliza acest produs urmați cu strictețe instrucțiunile producătorului.

Rețineți că prezența materiilor străine în circuitul de încălzire poate afecta funcționarea centralei (de ex. supraîncălzire și funcționare zgomotoasă a schimbătorului de căldură).

Nerespectarea recomandărilor de mai sus va duce la anularea garanției.

2. INSTRUCȚIUNI ÎNAINTE DE PUNEREA ÎN FUNCȚIUNE

Prima aprindere a centralei trebuie să fie efectuată de un tehnician autorizat. Asigurați-vă că se efectuează următoarele operații:


- a) parametrii centralei trebuie să fie conformi cu configurația instalațiilor de alimentare (electricitate, apă, gaz).
- b) instalația trebuie să fie conformă cu legile și reglementările în vigoare.
- c) racordarea la rețeaua electrică și împământarea aparatului trebuie să fie adecvate.


Nerespectarea recomandărilor de mai sus va duce la anularea garanției.

Înainte de punerea în funcțiune scoateți folia protectoare de plastic de pe aparat. Nu folosiți unelte sau detergenți abrazivi, deoarece puteți deteriora suprafețele vopsite.

3. PUNEREA ÎN FUNCȚIUNE A CENTRALEI

Pentru a aprinde în mod corect centrala procedați după cum urmează:


- Conectați centrala la rețeaua electrică.
- deschideți robinetul de gaz;
- Apăsați pe tasta  (circa 2 secunde) pentru a seta modul de funcționare al centralei, așa cum se arată în paragraful 3.2.

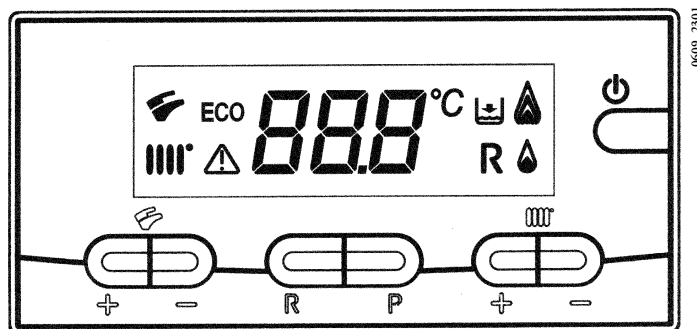
NOTĂ: dacă e setat modul *Vară* , centrala se va aprinde numai în timpul unei cereri de A.C.M.

- Pentru a regla temperatura °C și a A.C.M., apăsați pe butoanele respective +/- așa cum se descrie în secțiunea 4.










ATENȚIE

La prima aprindere, până ce nu se evacuează aerul existent în conducta de gaz, este posibil ca arzătorul să nu se aprindă și, prin urmare, centrala se blochează.

În acest caz vă recomandăm să repetați operațiunile de aprindere, până când gazul ajunge la arzător, apăsând, cel puțin 2 secunde, tasta RESET .



LEGENDĂ SIMBOLURI AFIȘAJ:

	Activarea funcționării în modul încălzire
	Activarea funcționării în modul apă caldă menajera
	Prezență flacără - figura 2 (nivel putere 0 - 25%)
	Nivelul de modulare al flăcării - figura 2 (3 niveluri de putere)
	Anomalie generică
	RESET
	Lipsă apă (Presiune joasă instalație)
	Indicator numeric (Temperatură, cod anomalie etc.)
	Funcționare în modul ECO

LEGENDĂ TASTE:

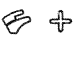




	+ -	reglarea temperaturii apei calde menajera (°C)
	+ -	reglarea temperaturii apei pentru încălzire (°C)
		RESET (reinițializarea centralei)
		ECO - COMFORT
		tasta MODE (vezi paragraful 3.2)

Figura 1

În cazul conectării comenzii la distanță, livrată ca accesoriu, toate setările centralei trebuie efectuate prin intermediul comenzii la distanță. Vezi instrucțiunile care însoțesc accesoriul.

3.1 SEMNIFICAȚIA SIMBOLURILOR

În timpul funcționării centralei pot fi afișate *4 niveluri diferite de putere* referitoare la gradul de modulare al centralei, așa cum se arată în figura 2.

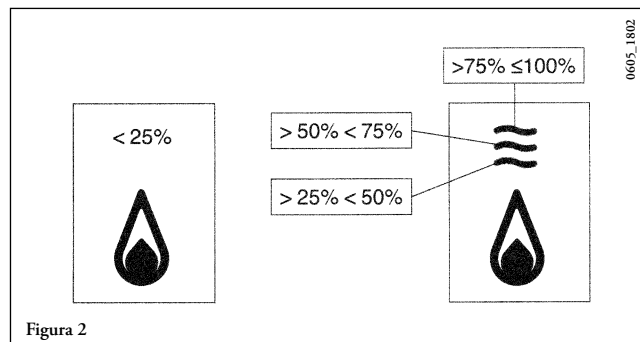


Figura 2

3.2 DESCRIEREA TASTEI (Vară - Iarnă - Numai încălzire - Stins)

Apăsând pe această tastă se pot seta următoarele moduri de funcționare ale centralei:

- VARĂ
- IARNĂ
- NUMAI ÎNCĂLZIRE
- STINS

În modul **VARĂ** pe afișaj apare simbolul . Centrala satisface numai cererile de caldură în circuitul de apă menajeră, încălzirea NU e activată (funcția antiîngheț e activată).

În modul **IARNĂ** pe afișaj apar simbolurile . La Centrala satisface atât cererile de caldură din circuitul de apă menajeră cât și din cel de încălzire (funcția antiîngheț e activată).

În modul **NUMAI ÎNCĂLZIRE** pe afișaj apare simbolul . Centrala satisface numai cererile de caldură din circuitul de încălzire (funcția antiîngheț e activată).

Selectând **STINS** pe afișaj nu apare nici unul dintre cele două simboluri . În acest mod e activată numai funcția antiîngheț, orice altă cerere de caldură în circuitul de apă menajeră sau de încălzire nu este satisfăcută.

4. REGLAREA TEMPERATURII APEI PENTRU ÎNCĂLZIRE ȘI MENAJERĂ

Reglarea temperaturii în turul circuitului de încălzire și a apei calde din circuitul de apă menajeră se efectuează apăsând pe tastele corespunzătoare +/- (figura 1).

Aprinderea arzătorului e indicată pe afișaj cu simbolul așa cum se arată în paragraful 3.1.

ÎNCĂLZIRE

În timpul funcționării centralei în modul încălzire, pe afișajul din figura 1 apare simbolul , care clipește intermitent, și temperatura (°C) din turul instalației de încălzire.

APĂ CALDĂ MENAJERĂ

În timpul funcționării centralei în modul apă caldă menajeră, pe afișajul din figura 1 apare simbolul , care clipește intermitent, și temperatura (°C) apei din turul boilerului.

Se pot regla două valori diferite de temperatură a apei menajere, **ECO** și **COMFORT**, cu ajutorul tastei **P**.

Pentru a modifica valorile de temperatură procedați după cum urmează:

ECO

Apăsați tasta **P**, pe afișaj apare mesajul "eco", reglați valoarea de setpoint temperatură dorită cu ajutorul tastelor +/- .

COMFORT


Apăsați tasta **P**, pe afișaj apare numai valoarea de temperatură ce trebuie reglată, reglați valoarea de setpoint temperatură dorită cu ajutorul tastelor +/- .

5. UMLEREA CENTRALEI

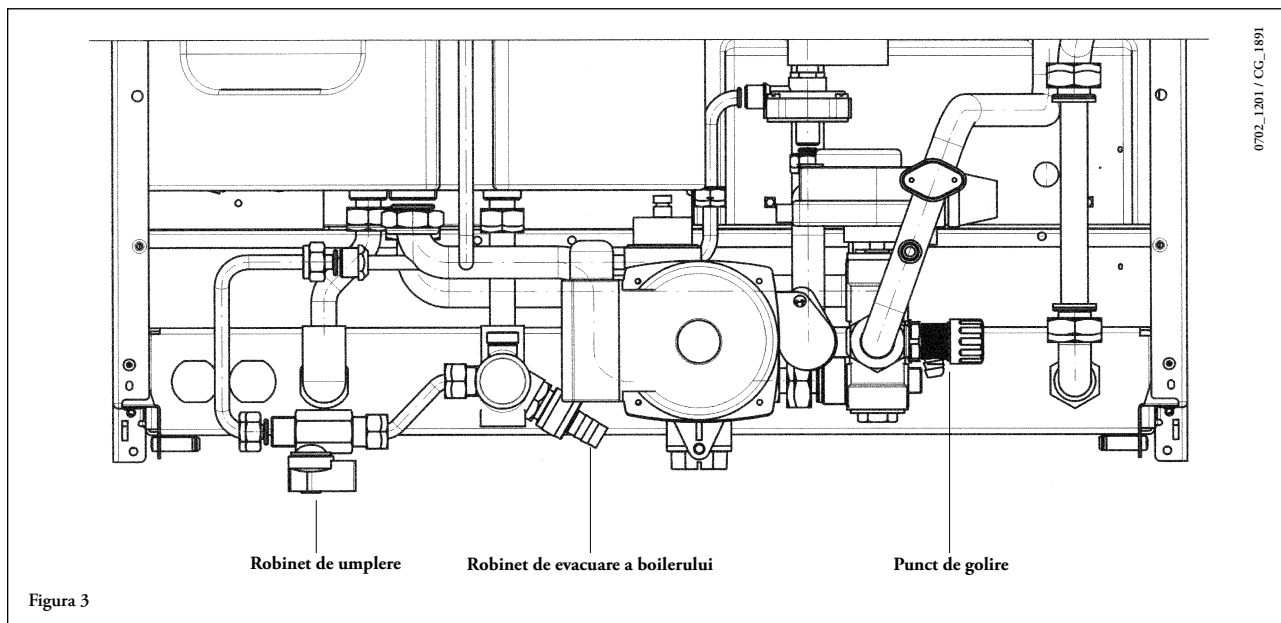
IMPORTANT: Verificați periodic ca presiunea afișată de presostat (figura 3) să fie cuprinsă între 0,7 și 1,5 bar, când centrala nu funcționează. În caz de suprapresiune, deschideți robinetul de evacuare al centralei (figura 3).

În caz că presiunea e joasă, deschideți robinetul de umplere al centralei (figura 3).

Se recomandă să deschideți robinetul foarte încet, pentru a permite ieșirea aerului.

În timpul acestei operațiuni e necesar ca centrala să fie în “OFF” (apăsați pe tasta  - figura 1).

NOTĂ: Dacă au loc scăderi de presiune frecvente, cereți verificarea centralei de către personalul calificat.



Centrala termică este prevăzută cu un presostat hidraulic diferențial care, în cazul blocării pompei sau a întreruperii alimentării cu apă, nu îi permite să funcționeze.

6. OPRIREA CENTRALEI

Pentru a opri centrala este necesară deconectarea aparatului de la energia electrică. Dacă centrala e în “OFF” (paragraful 3.2), circuitele electrice rămân sub tensiune și e activă funcția antiîngheț (paragraful 8).

7. OPRIREA ÎNDELUNGATĂ A INSTALAȚIEI PROTECȚIA ANTI-ÎNGHEȚ

Vă recomandăm să evitați golirea întregii instalații deoarece înlocuitorii pentru apă duc la formarea de depuneri inutile și periculoase de calcar în interiorul centralei și pe elementele de încălzire. În cazul în care centrala este oprită în timpul iernii și este deci expusă pericolului de îngheț, vă recomandăm să adăugați un lichid antigel special în apa din instalație (de ex.: propilen glicol împreună cu inhibitori pentru coroziune și inhibitori pentru depuneri).

Controlul electronic al centralei include o funcție de “protecție anti-îngheț” pentru instalația de încălzire centrală, care face ca arzătorul să atingă o temperatură de încălzire în tur de 30°C când temperatura din instalația de încălzire scade sub 5°C.

Funcția de protecție anti-îngheț e activă dacă:

- * centrala e alimentată cu energie electrică;
- * robinetul de gaz e deschis;
- * presiunea din instalație este corectă;
- * centrala nu e blocată.

8. MODIFICAREA TIPULUI DE GAZ

Aceste centrale proiectate pentru gaz natural pot fi modificate pentru a funcționa cu GPL.

Orice modificare a tipului de gaz trebuie efectuată de către personal calificat.

9. INDICATOARE-INTRAREA ÎN FUNCȚIUNE A DISPOZITIVELOR DE SIGURANȚĂ

Anomaliile sunt vizualizate pe afișaj identificate de un cod de eroare (ex. E01).

Anomaliile care pot fi resetate de utilizator sunt indicate pe afișaj de simbolul **R** (figura 4).

Anomaliile care nu pot fi resetate de utilizator sunt indicate pe afișaj de simbolul **⚠** (figura 4.1).

Pentru a RESETA centrala apăsați, timp de cel puțin 2 secunde, tasta **R**.



COD EROARE	Descrierea DEFECȚIUNILOR	SOLUȚIE
E01	Lipsa alimentării cu gaz	Apăsați pe butonul R (figura 1) timp de cel puțin 2 secunde. Dacă defecțiunea persistă, contactați un Serviciu de Asistență autorizat.
E02	Senzorul termostatului de siguranță e deteriorat	Apăsați pe butonul R (figura 1) timp de cel puțin 2 secunde. Dacă defecțiunea persistă, contactați un Serviciu de Asistență autorizat.
E03	Senzorul termostatului pentru gaze arse e deteriorat / Butonul (switch) pentru presiune gaze arse e deteriorat	Contactați un Serviciu de Asistență autorizat.
E04	Eroare de siguranță din cauza pierderilor frecvente de flacără	Contactați un Serviciu de Asistență autorizat.
E05	Defectare a senzorului NTC încălzire centrală	Contactați un Serviciu de Asistență autorizat.
E06	Defectare a senzorului NTC apă caldă menajeră	Contactați un Serviciu de Asistență autorizat.
E11	Intervenția termostatului de siguranță pentru instalație cu temperatură joasă (dacă e conectat)	Contactați un Serviciu de Asistență autorizat.
E12	Lipsă consens presostat diferențial hidraulic	Verificați ca presiunea instalației să fie cea prescrisă. Vezi paragraful 5. Dacă anomalia persistă, adresați-vă centrului de asistență tehnică autorizat.
E13	Contact defect al presostatului diferențial hidraulic	Verificați ca presiunea instalației să fie cea prescrisă. Vezi paragraful 5. Dacă anomalia persistă, adresați-vă centrului de asistență tehnică autorizat.
E25	Temperatura max. a centralei a fost depășită (probabil pompa e blocată)	Contactați un Serviciu de Asistență autorizat.
E31	Eroare de comunicare între cartela electronică și comanda la distanță	Apăsați pe butonul R (figura 1) timp de cel puțin 2 secunde. Dacă defecțiunea persistă, contactați un Serviciu de Asistență autorizat.
E35	Flacără defectuoasă (flacără parazit)	Apăsați pe butonul R (figura 1) timp de cel puțin 2 secunde. Dacă defecțiunea persistă, contactați un Serviciu de Asistență autorizat.
E98	Eroare internă a cartelei	Contactați un Serviciu de Asistență autorizat.
E99	Eroare internă a cartelei	Contactați un Serviciu de Asistență autorizat.

10. INSTRUCȚIUNI DE ÎNTREȚINERE

Pentru ca centrala dv. să funcționeze în mod eficient și sigur, cereți să fie verificată de către personalul calificat la sfârșitul fiecărui sezon de funcționare.

O întreținere atentă va duce la o funcționare economicoasă a instalației.

Nu curățați carcasa externă a aparatului cu substanțe de curățare abrazive, agresive și/sau ușor inflamabile (de ex.: benzină, alcool ș.a.m.d.). Deconectați întotdeauna aparatul de la sursa de alimentare cu energie electrică înainte de a-l curăța (vezi secțiunea 6).

11. INFORMAȚII GENERALE

Următoarele recomandări și instrucțiuni se adresează tehnicienilor specialiști pentru a-i ajuta să efectueze o instalare corectă. Instrucțiunile privind aprinderea și funcționarea centralei se găsesc în secțiunea 'Instrucțiuni pentru utilizator'.
Rețineți că instalarea, întreținerea și punerea în funcțiune a aparatelor electrocasnice cu gaz trebuie efectuate numai de către personal calificat, în conformitate cu standardele curente.

ATENȚIE

- * Această centrală poate fi racordată la orice fel de convector cu alimentare prin tuburi duble sau simple, radiatoare, termoconvectoare. Proiectați secțiunile instalației ca de obicei, luând însă în considerare performanțele disponibile debit / înălțime de pompare, așa cum se indică în secțiunea 24.
 - * Nu lăsați la îndemâna copiilor materialele de ambalaj (saci de plastic, polistiren etc.) deoarece reprezintă o potențială sursă de pericol.
 - * Prima aprindere a centralei trebuie să fie efectuată de personal calificat.
- Nerespectarea recomandărilor de mai sus va duce la anularea garanției.

12. INSTRUCȚIUNI ÎNAINTE DE INSTALARE

Această centrală este destinată încălzirii apei la o temperatură inferioară celei de fierbere la presiune atmosferică. Centrala trebuie să fie racordată la o instalație de încălzire centrală și la o instalație pentru apă caldă menajeră, în conformitate cu performanțele sale și cu puterea de ieșire. Centrala trebuie să fie instalată de Personal Calificat și trebuie să se efectueze următoarele operații:

- a) să se verifice cu grijă că centrala este adecvată pentru funcționarea cu tipul de gaz disponibil. Pentru informații mai detaliate vezi indicațiile de pe ambalaj și eticheta de pe aparat.
- b) să se verifice cu grijă că tirajul coșului pentru gaze arse este adecvat; că hornul nu este blocat și că prin același coș de evacuare nu sunt evacuate și gazele arse care provin de la alte aparate, în afara de cazul în care coșul este proiectat în mod special pentru a colecta gazele arse de la mai multe aparate, conform legilor și reglementărilor în vigoare.
- c) să se verifice cu grijă, în cazul racordării hornului la hornuri preexistente, că acestea au fost curățate perfect, întrucât produsele reziduale de ardere se pot desprinde de pe pereți în timpul funcționării centralei și pot bloca hornul.

Pentru a asigura funcționarea corectă a aparatului și pentru a evita anularea garanției, respectați următoarele măsuri de precauție:

1. Circuitul pentru apă caldă:

- 1.1. Dacă durezza apei e mai mare de 20 °F (1 °F = 10 mg de carbonat de calciu la un litru de apă) se recomandă instalarea unui sistem de tratament cu polifosfați sau a unui sistem cu efect similar, în conformitate cu normele în vigoare.
- 1.2. Circuitul de apă caldă menajeră trebuie să fie golit complet după instalarea aparatului și înainte de utilizarea sa.

2. Circuitul de încălzire

2.1. instalație nouă

Înainte de a trece la instalarea centralei, instalația trebuie curățată și golită în mod corespunzător, pentru a elimina bavrile rămase în urma sudurii, zgura și eventualii solvenți, folosind produse speciale adecvate.
Pentru a evita deteriorarea pieselor din metal, plastic și cauciuc, folosiți numai substanțe de curățare neutre, adică neacide și nealcaline. Produsele recomandate pentru curățare sunt:
SENTINEL X300 sau X400 și FERNOX Regenerator pentru instalațiile de încălzire. Pentru a utiliza acest produs urmați cu strictețe instrucțiunile producătorului.

2.2. instalație existentă

Înainte de a trece la instalarea centralei, instalația trebuie curățată și golită pentru a îndepărta depunerile de noroi și substanțele contaminante, folosind produse speciale adecvate, așa cum se indică în secțiunea 2.1.
Pentru a evita deteriorarea pieselor din metal, plastic și cauciuc, folosiți numai substanțe de curățare neutre, adică neacide și nealcaline, precum SENTINEL X100 și FERNOX protector pentru instalațiile de încălzire. Pentru a utiliza acest produs urmați cu strictețe instrucțiunile producătorului.
Rețineți că prezența materiilor străine în circuitul de încălzire poate afecta funcționarea centralei (de ex. supraîncălzire și funcționare zgomotoasă a schimbătorului de căldură).

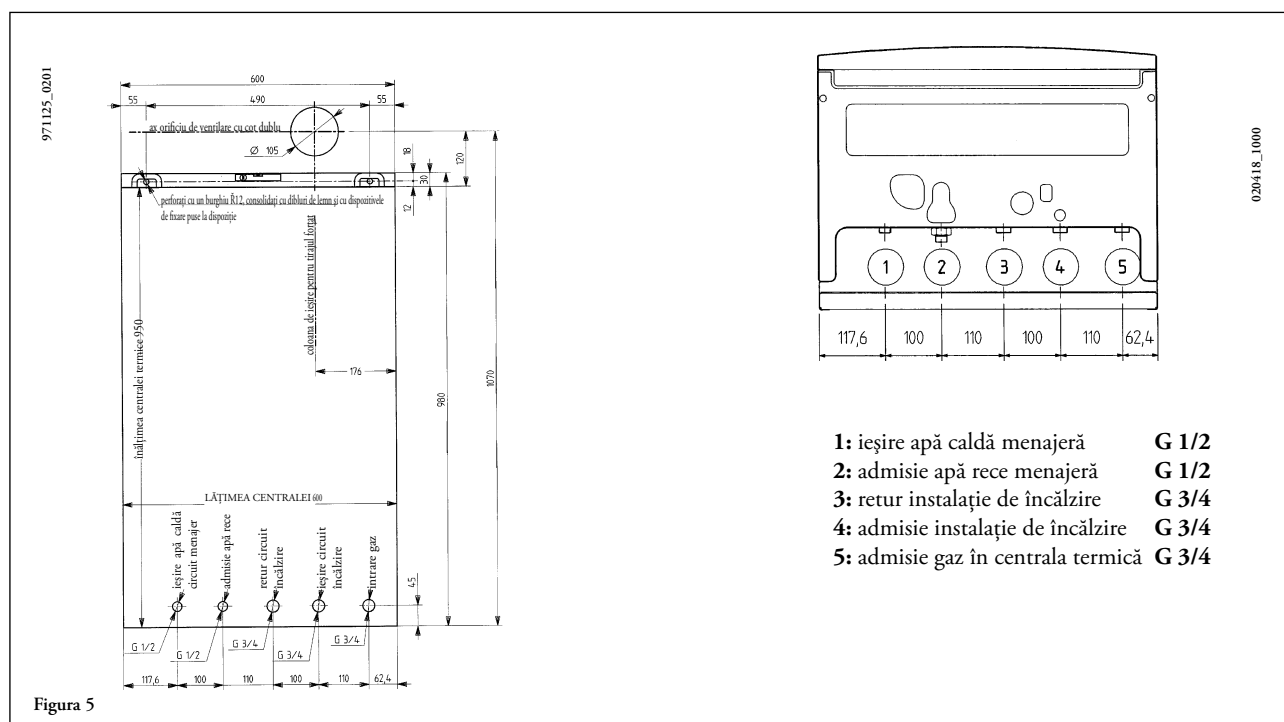
Nerespectarea recomandărilor de mai sus va duce la anularea garanției.

13. INSTALAREA CENTRALEI

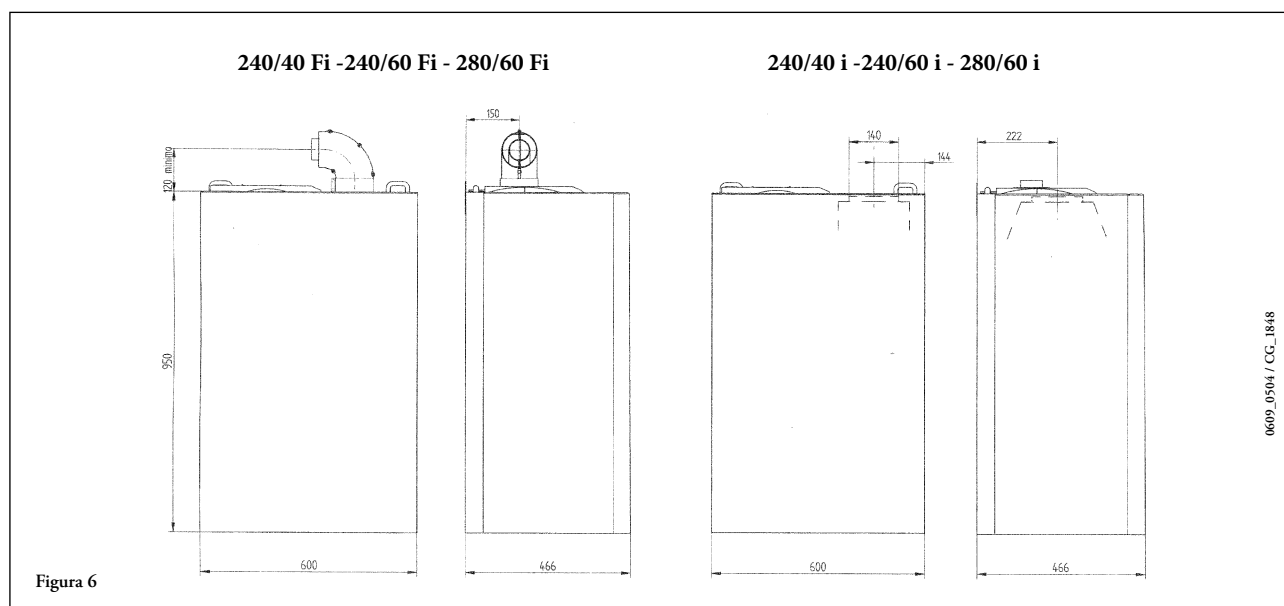
Alegeți locul de amplasare al centralei, apoi aplicați șablonul pe perete, cu bandă adezivă. Racordați țevile la orificiile de alimentare cu gaz și apă prevăzute pe latura inferioară a șablonului. Vă recomandăm să instalați două robinete G3/4 (disponibile la cerere) pe țevile de pe turul și de pe returul instalației de încălzire centrală; aceste robinete vă vor permite să efectuați operații importante fără a goli complet instalația. Dacă montați centrala pe o instalație existentă sau dacă o înlocuiți, vă recomandăm să montați un vas de decantare pe țeava de retur a instalației, pentru a colecta depunerile și reziduurile care pot rămâne și care pot fi puse în circulație în instalație, chiar și după spălare.

Când centrala e fixată pe șablon, racordați conductele de evacuare gaze arse și admisie aer (accesorii furnizate de producător) conform instrucțiunilor din paragrafele următoare.

Când instalați modelul (centrala cu tiraj natural), efectuați racordarea la conducta de evacuare utilizând o țeavă de metal care să fie rezistentă în timp la solicitări mecanice, căldură, efectele produselor de ardere și orice condens care s-ar putea forma.



14. DIMENSIUNILE CENTRALEI



15. DOTĂȚIE LIVRATĂ CA ACCESORIU

- robinet gaz (1)
- robinet admisie apă (2)
- garnituri de etanșare
- racorduri telescopice
- nituri 12 mm. și cârlige

BOYLER DIGIT 240/40 i -240/40 Fi

0804_1101 / CG_2061

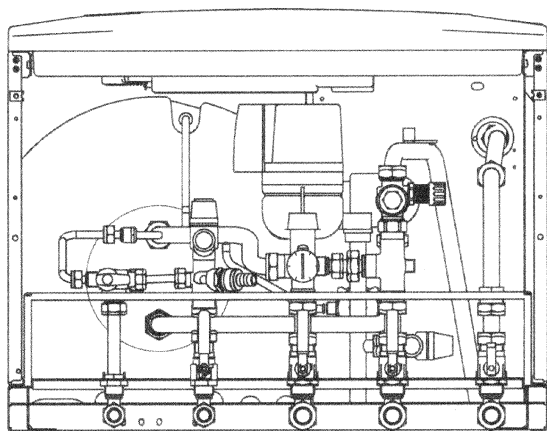


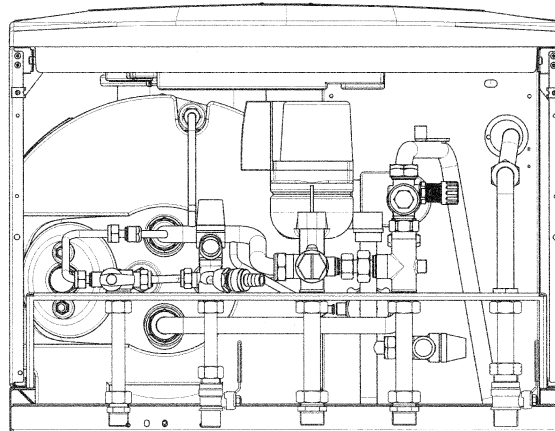
Figura 7

2

1

BOYLER DIGIT 240/60 i -240/60 Fi - 280/60 i - 280/60 Fi

0702_1202 / CG_1892



2

1

16. INSTALAREA CONDUCTELOR DE GAZE ARSE ȘI AER

Vă garantăm o instalare ușoară și flexibilă pentru centrala pe gaz cu tiraj forțat datorită garniturilor și accesoriilor furnizate (care sunt descrise mai jos).

Centrala e proiectată în mod special pentru racordarea la un sistem de conducte evacuare gaze arse / admisie aer cu horn coaxial, vertical sau orizontal. Cu ajutorul unui kit separator se poate instala și un sistem cu două conducte separate.

Folosiți numai accesoriile furnizate de producător.

CONDUCTA DE EVACUARE - ADMISIE COAXIALĂ (CONCENTRICĂ)

Acest tip de conductă permite evacuarea produselor de ardere și admisia aerului comburant atât în exteriorul edificiului, cât și în hornurile de tip LAS.

Cotul coaxial de 90° permite racordarea centralei la conducta de evacuare-admisie în orice direcție, deoarece se poate roti la 360°. În plus, poate fi utilizat și ca un cot suplimentar, alături de o conductă coaxială sau de un cot de 45°.

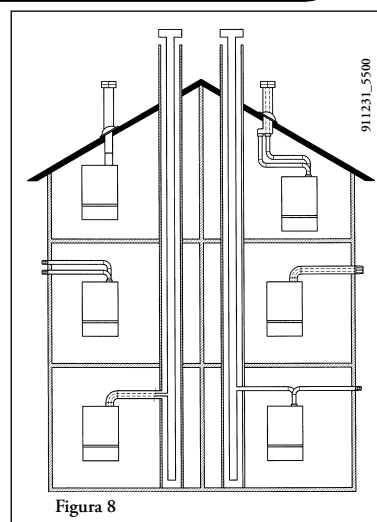


Figura 8

911231_5500

MĂSURI DE PRECAUȚIE

Pentru a garanta o siguranță sporită în funcționare, conductele de evacuare a gazelor arse trebuie să fie bine fixate de perete cu ajutorul unor coliere de fixare.

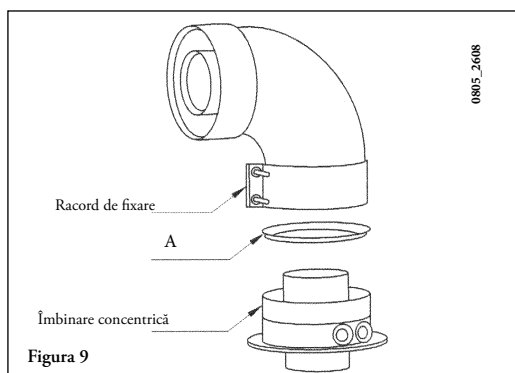


Figura 9

0805_2608

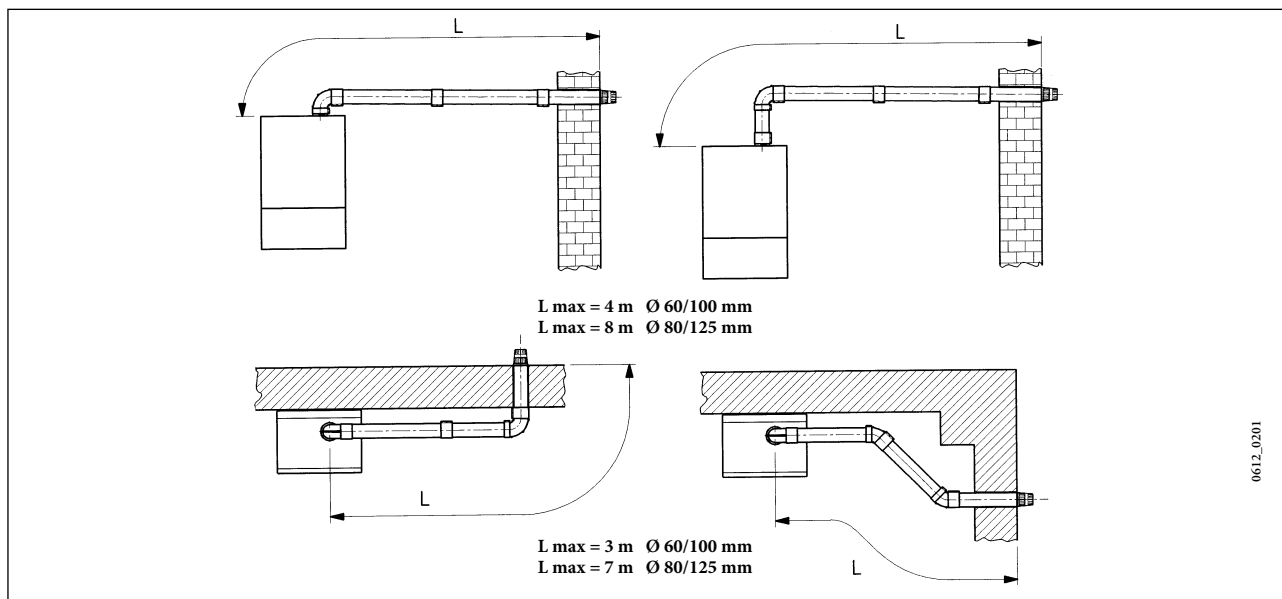
Modelul centralei	LUNGIME MAX. (m)	DIAFRAGMĂ ADMISIE (A) (mm)
BOYLER DIGIT 240/40 Fi - 240/60 Fi	0,5	73
	0,5 ÷ 2	80
	2 ÷ 4	NU
BOYLER DIGIT 280/60 Fi	0 ÷ 1	76
	1 ÷ 4	NU

În caz de evacuare la exterior, conducta de evacuare-admisie trebuie să iasă din perete cel puțin 18 mm pentru a permite poziționarea și sigilarea țiglei de protecție din aluminiu, în vederea evitării infiltrațiilor de apă.

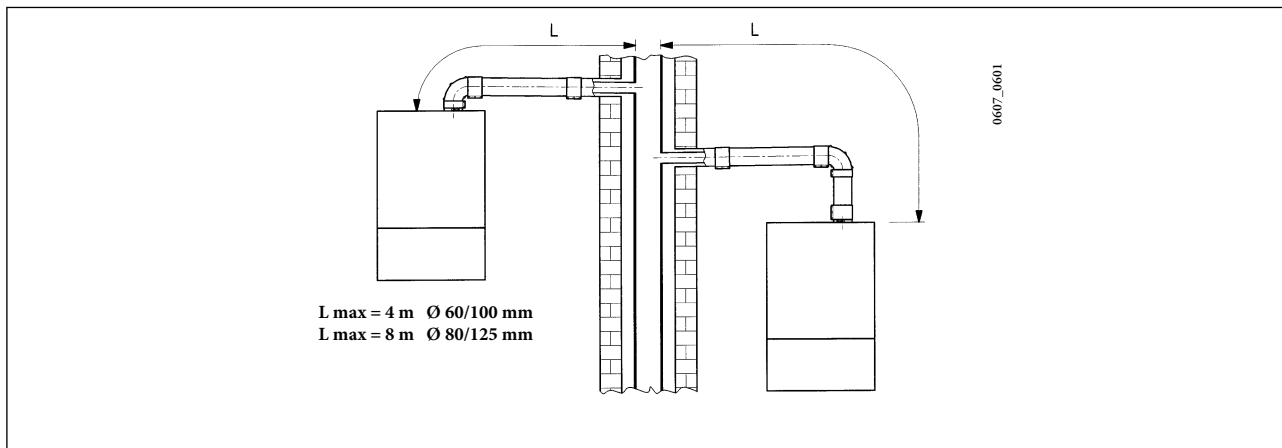
Asigurați o pantă minimă în jos, spre exterior, de 1 cm pentru fiecare metru de lungime al conductei.

- Un cot de 90° reduce lungimea totală a conductei cu 1 metru.
- Un cot de 45° reduce lungimea totală a conductei cu 0,5 metri.

16.1 OPȚIUNI DE INSTALARE CU CONDUCTE DE EVACUARE ORIZONTALE

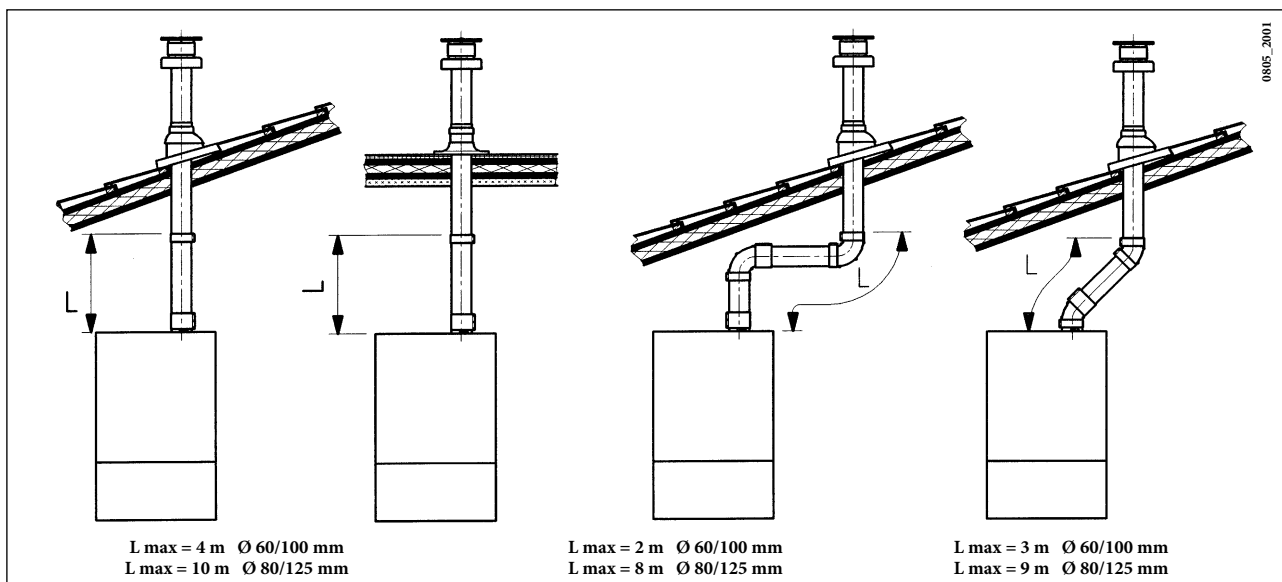


16.2 OPȚIUNI DE INSTALARE CU CONDUCTE DE EVACUARE LAS



16.3 OPȚIUNI DE INSTALARE CU CONDUCTE DE EVACUARE VERTICALE

Acest tip de instalare poate fi efectuată atât în cazul unui acoperiș plan, cât și în cazul unui acoperiș înclinat, montând un coș, țigla și dispozitivul de protecție corespunzătoare (accesoriile suplimentare sunt furnizate la cerere).



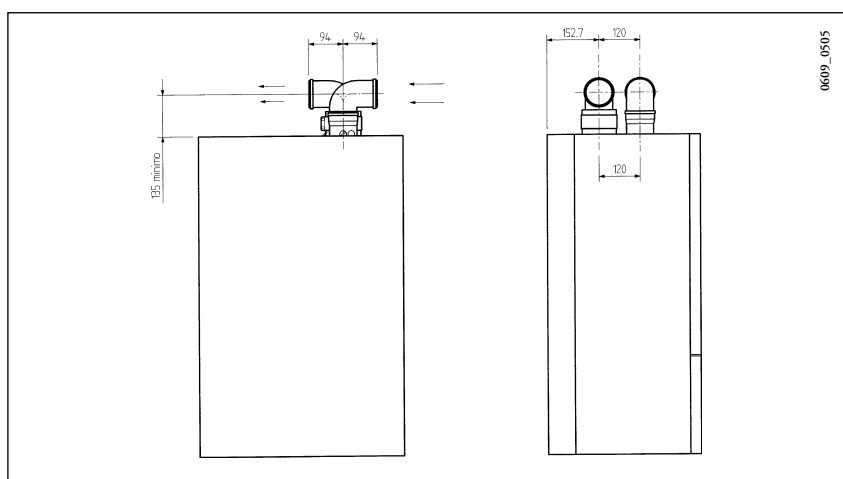
Pentru instrucțiuni mai detaliate privind montarea accesoriilor, consultați datele tehnice care însoțesc accesoriile respective.

CONDUCTE DE EVACUARE-ADMISIE SEPARATE

Acest tip de conductă permite evacuarea produselor de ardere atât în exteriorul clădirii, cât și în hornuri de evacuare separate. Admisia de aer comburant poate fi efectuată într-o zonă diferită față de cea în care e situată conducta de evacuare. Kit-ul separator conține un adaptor pentru conducta de evacuare (100/80) și un adaptor pentru conducta de admisie aer. Pentru adaptorul pentru conducta de admisie aer montați șuruburile și garniturile înălțurate în prealabil de pe capac.

Primul cot de 90° nu este inclus în lungimea maximă permisă.

Cotul de 90° permite racordarea centralei la conducta de evacuare-admisie indiferent de direcție, deoarece poate fi rotit la 360°. În plus, poate fi utilizat și ca un cot suplimentar, alături de conductă sau de un cot de 45°.



- Un cot de 90° reduce lungimea totală a conductei cu 0,5 metri.
- Un cot de 45° reduce lungimea totală a conductei cu 0,25 metri.

Reglarea controlului pentru sistemul separat de gaze arse / aer

Reglarea acestui control e necesară pentru a optimiza performanțele și parametrii de ardere. Cupla de admisie aer poate fi rotită pentru a regla aerul în exces, în funcție de lungimea totală a conductelor de evacuare și de admisie pentru aerul comburant. Rotiți acest control pentru a mări sau a micșora aerul comburant în exces (figura 9):

Pentru a optimiza combustia se poate folosi un dispozitiv de analizare a produselor de ardere, pentru a măsura conținutul de CO₂ din gazele arse la puterea termică maximă, reglând aerul treptat pentru a atinge valoarea de CO₂ din tabelul de mai jos, dacă la analiză se constată o valoare mai scăzută.

Pentru a monta în mod corect acest dispozitiv, consultați datele tehnice care însoțesc accesoriul.

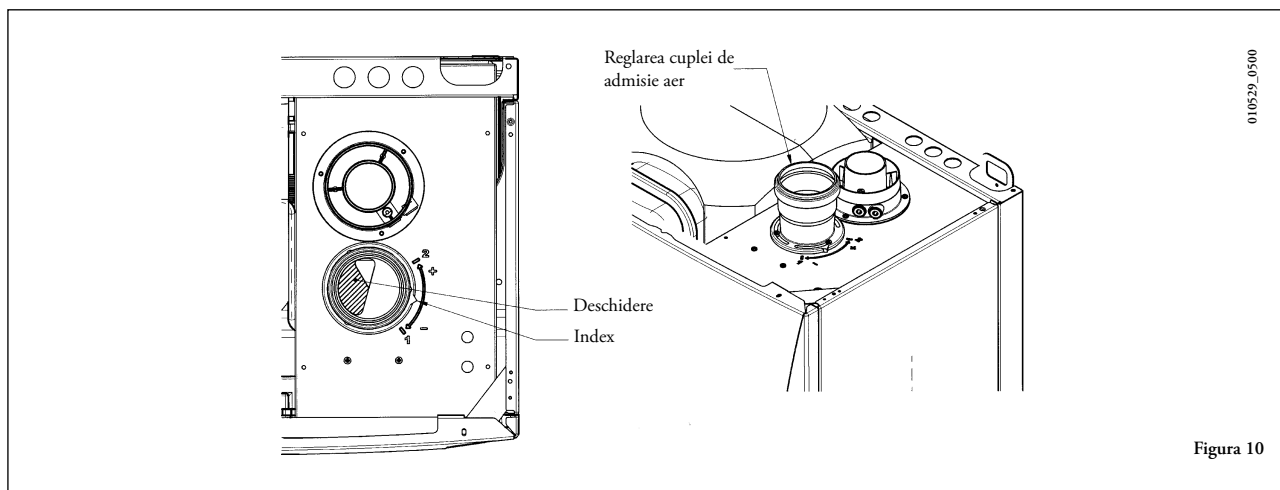


Figura 10

	LUNGIME MAX	Poziție registru	CO2%		
	L1+L2 (m)	AFR	G20	G30	G31
240/40 Fi - 240/60 Fi	0 ÷ 20	1	6,7	8,7	8,7
	20 ÷ 30	2			
280/60 Fi	0 ÷ 20	1	6,0	8,0	8,0
	20 ÷ 30	2			

NB: Pentru tipul C52, conductele de admisie a aerului comburant și de evacuare a produselor de ardere nu trebuie poziționate pe pereți opuși ai clădirii. Lungimea maximă a conductei de admisie trebuie să fie de 10 metri (6m - Nuvola 3 140 Fi).

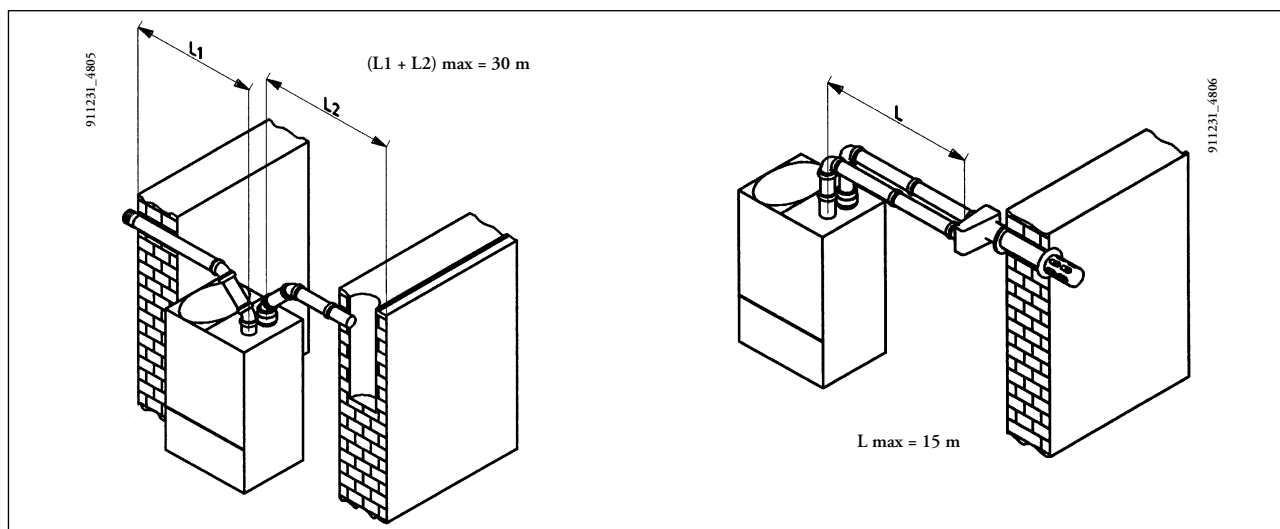
Dacă lungimea conductei de evacuare e mai mare de 6 m, kit-ul de colectare a condensului (furnizat ca accesoriu) trebuie să fie montat lângă centrală.

IMPORTANT: dacă instalați o conductă de evacuare separată, asigurați-vă că e izolată corespunzător (de ex. cu vată de sticlă) în punctele în care aceasta traversează pereții clădirii.

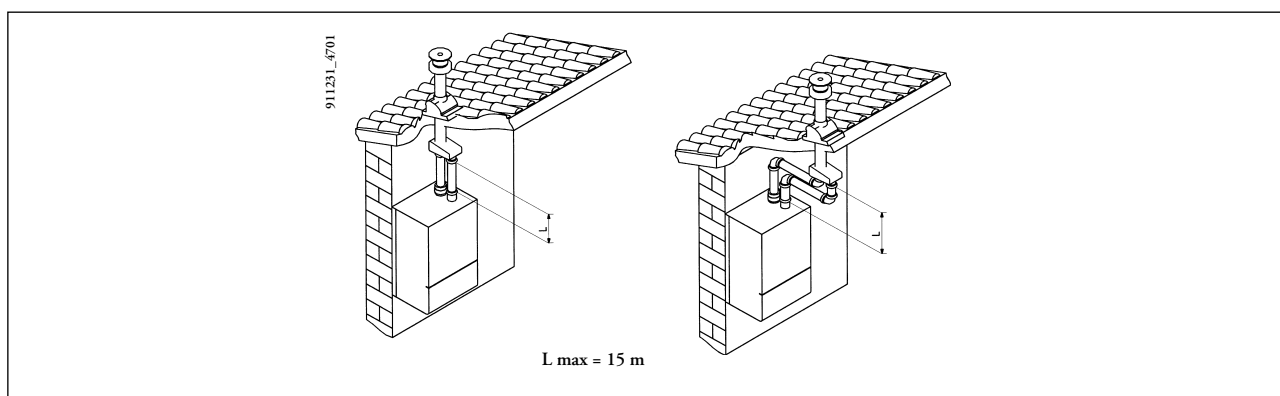
Pentru instrucțiuni mai detaliate privind montarea accesoriilor, consultați datele tehnice care însoțesc accesoriile respective.

16.4 OPȚIUNI DE INSTALARE CU CONDUCTE DE EVACUARE ORIZONTALE SEPARATE

IMPORTANT: Asigurați o pantă minimă în jos, spre exterior, de 1 cm pentru fiecare metru de lungime al conductei. Dacă montați un kit de colectare a condensului, conducta de drenare trebuie să fie înclinată spre centrală.



16.5 OPȚIUNI DE INSTALARE CU CONDUCTE DE EVACUARE VERTICALE SEPARATE



17. CONECTAREA LA REȚEAUA ELECTRICĂ

Siguranța electrică a aparatului este garantată doar când este legat corect la pământ, în conformitate cu legile și reglementările în vigoare. Racordați centrala la o rețea de alimentare de 230 V monofazată + împământare, cu ajutorul cablului cu trei borne furnizat, având grijă să conectați corect polaritățile.

Utilizați un întrerupător bipolar cu o distanță între contacte de cel puțin 3 mm la ambii poli.

În caz că înlocuiți cablul de alimentare, utilizați un cablu HAR H05 VV-F' 3 x 0,75 mm² cu un diametru de max. 8 mm.

Pentru a avea acces la panoul de borne electrice

- deconectați centrala de la rețeaua electrică prin intermediul întrerupătorului bipolar;
- deșurubați cele două șuruburi care fixează panoul de control de centrală;
- rotiți panoul de control;
- deșurubați capacul pentru a ajunge la cablaje (Figura 10).

O siguranță de tip rapid de 2A e încorporată în panoul de borne de alimentare (pentru a verifica sau a înlocui siguranța, extrageți suportul siguranței, de culoare neagră).

ATENȚIE: aveți grijă să conectați corect polaritățile **L (FAZĂ)** - **N (NEUTRU)**.

(L) = **Fază** (maro)

(N) = **Neutru** (albastru)

⊕ = **Împământare** (galben/verde)

(1) (2) = **Borna termostatului de cameră**

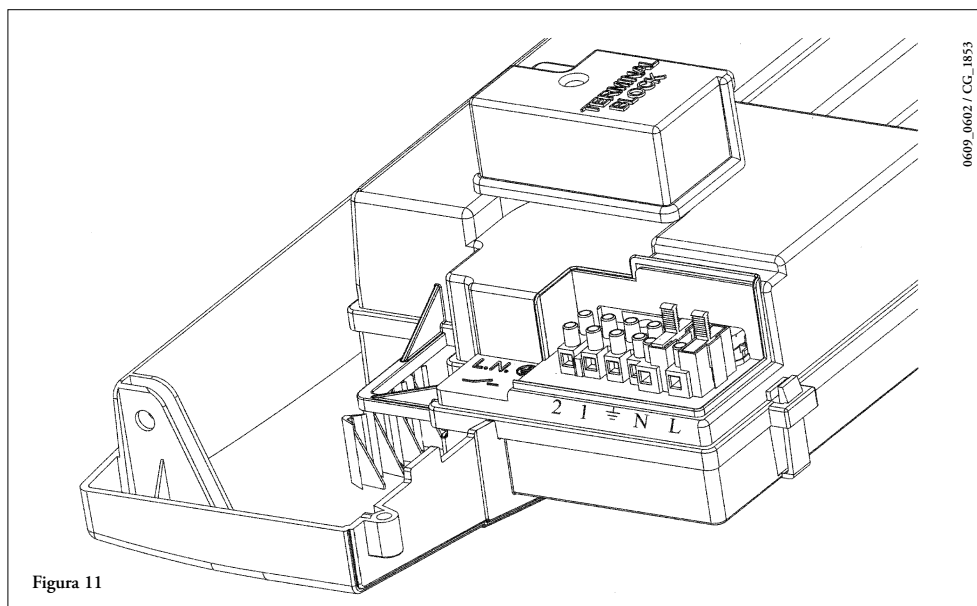


Figura 11

MĂSURI DE PRECAUȚIE

În cazul în care aparatul este conectat direct la o instalație de pardoseală, aceasta trebuie să fie echipată, prin grija instalatorului, cu un termostat de protecție, pentru a fi protejată împotriva supraîncălzirii.

18. CONECTAREA TERMOSTATULUI AMBIENTAL

- accesați panoul de borne de alimentare (figura 11) conform descrierii de la capitolul precedent;
- îndepărtați capacul existent pe bornele (1) și (2);
- introduceți cablul cu două fire prin orificiul special și conectați-l la aceste două borne.

19. MODALITĂȚI DE MODIFICARE A TIPULUI DE GAZ

Personalul calificat poate adapta aceasta centrală pentru a funcționa cu gaz natural (G20) sau cu gaz lichid (G31).

Procedura pentru a calibra regulatorul de presiune poate varia în funcție de supapa pentru tipul de gaz montată (HONEYWELL sau SIT; vezi figura 13).

Efectuați următoarele operații în această ordine:

A) Înlocuiți duzele arzătorului principal;

- scoateți cu grijă arzătorul principal din locul său;
- înlocuiți duzele arzătorului principal și strângeți-le bine pentru a evita scurgerile de gaz. Diametrele duzelor sunt specificate în tabelul 1.

Modalități de înlocuire a duzei diafragmei (pentru modelele 240/40 i - 240/60 i - 240/40 Fi și 240/60 Fi)

- îndepărtați tubul de alimentare cu gaz (1 din Figura 12b);
- înlocuiți duza pentru diafragmă montată pe valva de gaz (2);
- remontați tubul de alimentare cu gaz.

B) Modificați tensiunea modulatorului

- reglați parametrul F02 pe baza tipului de gaz, așa cum se arată în capitolul 20.

C) Setarea dispozitivului de reglare a presiunii

- conectați punctul de testare a presiunii pozitive al unui manometru diferențial (dacă e posibil, pe bază de apă) la punctul de testare a presiunii de la supapa de gaz (Pb) (Figura 13); numai pentru modelele cu cameră etanșă: conectați punctul de testare a presiunii negative al unui manometru la un racord în "T" pentru a cupla orificiul de reglare al centralei, orificiul de reglare al supapei de gaz (Pc) și manometrul. (Aceeși măsurătoare poate fi efectuată conectând manometrul la punctul de testare a presiunii (Pb) după ce a fost scos panoul frontal al camerei etanșe);
Dacă măsurați presiunea arzătoarelor într-un mod diferit, puteți obține un rezultat diferit, deoarece presiunea joasă creată în camera etanșă de către ventilator nu ar fi luată în calcul.

C1) Reglarea puterii termice nominale

- deschideți robinetul de gaz;
- apăsați pe buton (figura 1) și puneți centrala în modul Iarnă;
- deschideți un robinet de apă caldă pentru a avea un debit minim de 10 l/min sau asigurați-vă că sunt setați parametrii maximi de încălzire;
- verificați ca presiunea dinamică de alimentare a centralei, măsurată la punctul de testare a presiunii de la supapa de admisie gaz (Pa) (Figura 13) să fie corectă (30 mbar pentru gaz propan și butan G.30, 20 mbar pentru gaz natural G20);
- scoateți capacul modulatorului;
- reglați șurubul de alamă al tubului (a) Fig. 14 pentru a obține setările de presiune indicate în tabelul 1;

C2) Reglarea puterii termice reduse

- deconectați cablul de alimentare al modulatorului și deșurubați șurubul (b) Fig. 14 pentru a obține setările de presiune care corespund puterii termice reduse (vezi tabelul 1);
- conectați cablul din nou;
- puneți la loc capacul modulatorului și strângeți-l bine.

C3) Verificări finale

- aplicați plăcuța suplimentară cu datele tehnice, care indică tipul de gaz și setările efectuate.

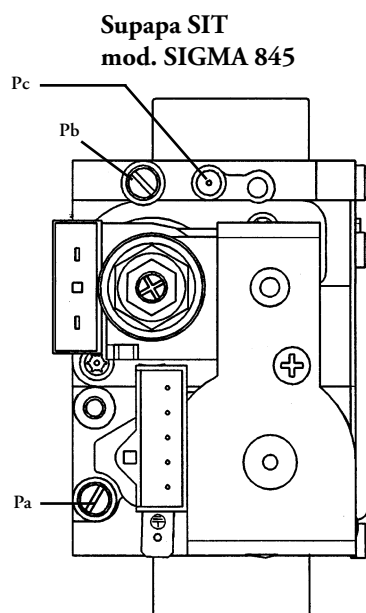


Figura 12a

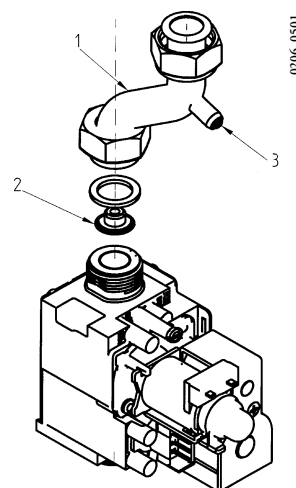


Figura 12b (modelul 240/40 i - 240/60 i - 240/40 Fi e 240/60 Fi)

Tabel cu presiunile arzătorului

Gaz utilizat	240/40 i - 240/60 i			240/40 Fi - 240/60 Fi			280/60 i			280/60 Fi		
	G20	G30	G31	G20	G30	G31	G20	G30	G31	G20	G30	G31
diimetrul duzei (mm)	1,18	0,69	0,69	1,18	0,69	0,69	1,18	0,69	0,69	1,18	0,69	0,69
Presiunea la arzător (mbar*)												
PUTERE TERMICĂ REDUSĂ (mbar)	1,6	3,9	6,9	1,6	3,9	6,9	1,6	3,8	5,7	1,7	4,3	5,9
Presiunea la arzător (mbar*)												
PUTERE TERMICĂ NOMINALĂ (mbar)	7,7	19,8	25,6	8,1	20,6	26,3	10,3	27,6	35,4	10,6	28,1	35,6
nr. 1 diametru diafragmă	4,5	3,5	3,5	4,5	3,5	3,5	-	-	-	-	-	-
nr. de duze	18											

* 1 mbar = 10,197 mm H₂O

Tabelul 1

Tabel consumuri

Consumul de gaz la 15 °C - 1013 mbar	240/40 i - 240/60 i			280/60 i		
	G20	G30	G31	G20	G30	G31
PUTERE TERMICĂ NOMINALĂ	2,87 m ³ /h	2,14 Kg/h	2,11 Kg/h	3,29 m ³ /h	2,45 Kg/h	2,42 Kg/h
PUTERE TERMICĂ REDUSĂ	1,26 m ³ /h	0,94 Kg/h	0,92 Kg/h	1,26 m ³ /h	0,94 Kg/h	0,92 Kg/h
p.c.i.	34,02 MJ/m ³	45,60 MJ/Kg	46,30 MJ/Kg	34,02 MJ/m ³	45,60 MJ/Kg	46,30 MJ/Kg

Tabelul 2

Consumul de gaz la 15 °C - 1013 mbar	240/40 Fi - 240/60 Fi			280/60 Fi		
	G20	G30	G31	G20	G30	G31
PUTERE TERMICĂ NOMINALĂ	2,78 m ³ /h	2,07 Kg/h	2,04 Kg/h	3,18 m ³ /h	2,37 Kg/h	2,34 Kg/h
PUTERE TERMICĂ REDUSĂ	1,26 m ³ /h	0,94 Kg/h	0,92 Kg/h	1,26 m ³ /h	0,94 Kg/h	0,92 Kg/h
p.c.i.	34,02 MJ/m ³	45,60 MJ/Kg	46,30 MJ/Kg	34,02 MJ/m ³	45,60 MJ/Kg	46,30 MJ/Kg

Tabelul 2

20. VIZUALIZARE INFORMAȚII

20.1 INFORMAȚII APRINDERE AFIȘAJ

Pentru o aprindere corectă, procedați ca mai jos:

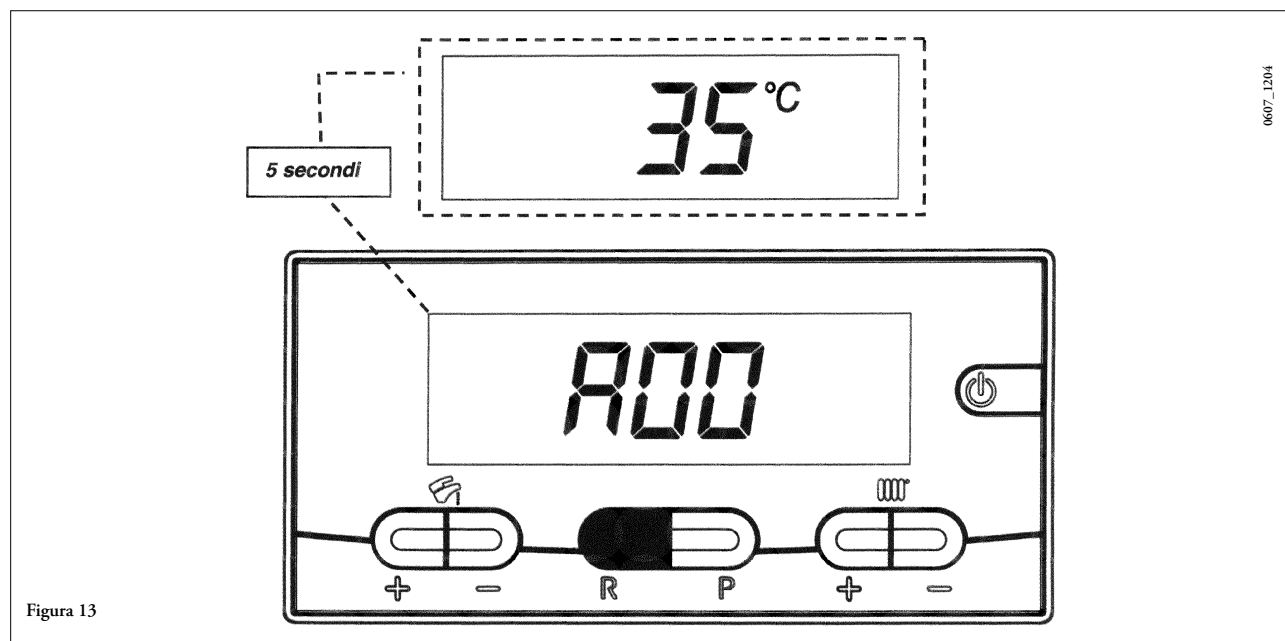
- Alimentați centrala cu energie electrică.
Când centrala e alimentată cu energie electrică, în primele 10 secunde aprox., pe afișaj apar următoarele informații:
 - toate simbolurile sunt aprinse;
 - informații producător;
 - informații producător;
 - informații producător;
 - tipul de centrală și de gaz utilizat (de ex. $\square \cap$).
Semnificația literelor afișate e următoarea:

\square = centrală cu cameră deschisă	\square = centrală cu cameră etanșă;
\cap = gaz utilizat <u>NATURAL</u>	\sqcup = gaz utilizat <u>GPL</u> .
 - reglarea circuitului hidraulic;
 - versiune software (două numere x.x);
- Deschideți robinetul de gaz;
- Apăsați pe tasta ⏻ (circa 2 secunde) pentru a seta modul de funcționare al centralei, așa cum se arată în paragraful 3.2.

20.2 INFORMAȚII PRIVIND FUNCȚIONAREA

Pentru a vizualiza pe afișaj unele informații privind funcționarea centralei, procedați după cum urmează:

- Țineți apăsată tasta R timp de circa 6 secunde. Când funcția este activă, pe afișaj apare mesajul "A00" (... "A07") care alternează cu valoarea respectivă (figura 13);



- Cu ajutorul tastelor +/- de reglare a temperaturii apei calde menajere (☞) puteți vizualiza următoarele informații:

A00: valoarea (°C) instantanee a temperaturii apei calde menajere (A.C.M.);
A01: valoarea (°C) instantanee a temperaturii externe (cu sonda externă conectată);
A02: valoarea (%) curentului la modulator (100% = 230 mA METAN - 100% = 310 mA GPL);
A03: valoarea (%) domeniului de putere (MAX R) - Parametrul F13 (paragraful 21);
A04: valoarea (°C) temperaturii de set-point pentru încălzire;
A05: valoarea (°C) instantanee a temperaturii din turul circuitului de încălzire;
A06: Neutilizat;
A07: valoarea (%) semnalului de flacără (8-100%).

NOTĂ: rândurile de vizualizare A08 și A09 nu sunt utilizate.

- Această funcție rămâne activă timp de 3 minute. Este posibilă întreruperea anticipată a funcției "INFO" apăsând pe tasta ⏻.

20.3 VIZUALIZARE ANOMALII

NOTĂ: SE pot efectua 5 tentative consecutive de reinițializare, după care centrala rămâne blocată. Pentru a efectua o nouă încercare de reinițializare, procedați după cum urmează:

- apăsați pe tasta ⏻ selectând **STINS**, așa cum se arată în paragraful 3.2;
- apăsați pe tasta **R** timp de circa 2 secunde, pe afișaj apare mesajul "OFF";
- resetați modul de funcționare al centralei.

Codurile și descrierea anomaliilor sunt indicate în paragraful 9.


20.4 INFORMAȚII SUPLIMENTARE

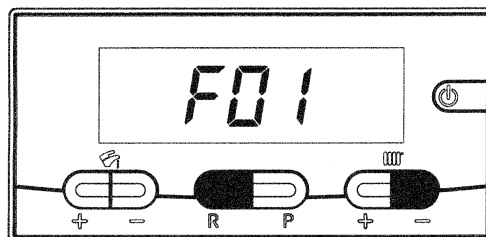
Pentru informații suplimentare de ordin tehnic consultați documentul "INSTRUCȚIUNI SERVICE".

21. REGLAREA PARAMETRILOR

Pentru a seta parametrii centralei, apăsați simultan pe tasta **R** și pe tasta **(0000)** timp de cel puțin 6 secunde. Când funcția este activă, pe afișaj apare mesajul “F01” care alternează cu valoarea parametrului vizualizat.

Modificare parametri

- Pentru a vedea lista cu parametrii apăsați tastele +/- ;
- Pentru a modifica un singur parametru apăsați pe tastele +/- **(0000)**;
- Pentru a memora valoarea apăsați pe tasta **P**, pe afișaj apare mesajul “MEM”;
- Pentru a ieși din funcție fără a memora, apăsați tasta **⏻**, pe afișaj apare mesajul “ESC”.



0606_2903

	Descrierea parametrului	Valoare implicită			
		240/40 Fi - 240/60 Fi	240/40 i - 240/60 i	280/60 i	280/60 Fi
F01	Tipul de centrală pe gaz 10 = cameră etanșă - 20 = cameră deschisă	10	20	20	10
F02	Tipul de gaz 00 = natural (metan) - 01 = LPG	00 o 01			
F03	Sistem hidraulic	06			
F04	Setare releu programabil 1 (02 = instalație multi-zone - Vezi instrucțiunile pentru Serviciul de Asistență)	02			
F05	Setare releu programabil 2 (Vezi instrucțiunile pentru Serviciul de Asistență)	04			
F06	Setările senzorului extern (Vezi instrucțiunile pentru Serviciul de Asistență).	00			
F07...F12	Informații producător	00			
F13	Putere termică max (0-100%)	100			
F14	Putere termică max. A.C.M. (0-100%)	100			
F15	Putere termică min (0-100%)	00			
F16	Valoarea maximă a temperaturii programate (setpoint) 00 = 85°C - 01 = 45°C	00			
F17	Timp de post-circulație pompă (01-240 minute)	03			
F18	Pauză minimă arzător în modul încălzire centrală (00-10 minute) - 00=10 secunde	03			
F19	Informații producător	07			
F20	Informații producător	00			
F21	Funcția anti-legionella 00 = Dezactivată - 01 = Activată	00			
F22	Informații producător	00			
F23	Setpoint maxim apă caldă menajeră	65			
F24	Informații producător	35			
F25	Dispozitiv de protecție lipsă apă	01			
F26...F29	Informații producător (parametri care pot fi numai citiți)	--			
F30	Informații producător	10			
F31	Informații producător	00			
F32...F41	Diagnosticare (Vezi instrucțiunile pentru Serviciul de Asistență)	--			
Ultimul parametru	Activarea funcției de reglare (Vezi instrucțiunile pentru Serviciul de Asistență)	0			

ATENȚIE: nu modificați valoarea parametrilor “Informații producător”.

22. DISPOZITIVE DE CONTROL ȘI FUNCȚIONARE

Această centrală a fost proiectată cu respectarea întocmai a standardelor europene de referință și este dotată cu următoarele:

- **Buton (switch) de presiune aer pentru modelul cu tiraj forțat (240/40 Fi, 240/60 Fi și 280/60 Fi)**
Acest buton (switch) permite arzătorului să se aprindă, cu condiția ca eficiența conductei de evacuare a gazelor arse să fie perfectă.
Dacă apare una dintre următoarele defecțiuni:
 - hornul de evacuare e blocat;
 - tubul Venturi e astupat;
 - ventilatorul e blocat;
 - conexiunea între tubul Venturi și butonul (switch) de presiune aer e întreruptă;Centrala rămâne în stand-by, iar pe afișaj apare codul de eroare 03E (vezi secțiunea 9).
- **Termostat gaze arse pentru tiraj natural (240/40 i, 240/60 i și 280/60 i)**
Acest dispozitiv are un senzor poziționat în partea stângă a hotei de evacuare a gazelor arse, care închide fluxul de gaz către arzător dacă conducta de evacuare a gazelor arse e blocată sau dacă nu există presiune negativă.
În această situație, centrala se blochează, iar pe afișaj apare codul de eroare 03E (vezi secțiunea 9).
Pentru a aprinde din nou, imediat, arzătorul principal, vezi secțiunea 9.
- **Termostat de siguranță pentru supraîncălzire**
Datorită unui senzor plasat pe turul de încălzire, acest termostat întrerupe fluxul de gaz către arzător dacă apa din circuitul primar s-a supraîncălzit. În această situație, centrala se blochează, iar pornirea sa din nou va fi posibilă doar după ce cauza anomaliei a fost înlăturată.
Vezi secțiunea 9 pentru a RESETA condițiile normale de funcționare.

Este interzisă dezactivarea acestui dispozitiv de siguranță

- **Detector de ionizare a flăcării**
Electrodul de detectare a flăcării, situat în partea dreaptă a arzătorului, garantează siguranța în funcționare, în caz de întrerupere a gazului sau dacă intervalul de timp între două aprinderi ale arzătorului este incomplet. În această situație, centrala se blochează.
Vezi secțiunea 9 pentru a RESETA condițiile normale de funcționare.
- **Senzor de presiune hidraulică**
Acest dispozitiv permite aprinderea arzătorului principal numai dacă presiunea din instalație este mai mare de 0,5 bar.
- **Post-circulația pompei pentru circuitul de încălzire centrală**
Funcționarea suplimentară a pompei, controlată electronic, durează 3 minute (F17 - Secțiunea 20), când centrala este în modul încălzire, după ce arzătorul s-a stins din cauza intervenției termostatului de cameră.
- **Post-circulația pompei pentru circuitul de apă caldă menajeră**
Sistemul de control electronic face ca pompa să mai funcționeze încă 30 secunde, în modul apă caldă menajeră, după ce senzorul A.C.M. a închis arzătorul.
- **Dispozitiv de protecție anti-îngheț (instalațiile de încălzire centrală și apă caldă menajeră)**
Controlul electronic al centralei include o funcție de "protecție anti-îngheț" pentru instalația de încălzire centrală, care face ca arzătorul să atingă o temperatură de încălzire în tur de 30°C când temperatura din instalația de încălzire scade sub 5 °C.
Această funcție e activată când centrala e conectată la alimentarea cu electricitate, alimentarea cu gaz e deschisă, iar presiunea din instalație este corectă.
- **Funcția antilegionella**
Funcția antilegionella NU e activată.
Pentru a activa funcția, reglați parametrul F21=01 (așa cum se arată în paragraful 20). Când funcția este activă, unitatea electronică de control a centralei face ca apa din boiler să ajungă, la intervale de o săptămână, la o temperatură mai mare de 60°C (funcția e operativă numai dacă apa nu a depășit niciodată 60°C în cele 7 zile anterioare).
- **Funcția anti-blocare pompă**
În cazul în care nu există cerere de căldură, pompa va porni automat și va funcționa timp de un minut în următoarele 24 de ore.
Această funcție e activă când centrala e alimentată cu electricitate.
- **Vana cu trei căi anti-blocare**
În cazul în care nu există nici o cerere de căldură pe o perioadă de 24 de ore, vana cu trei căi efectuează o comutare completă.
Această funcție e activă când centrala e alimentată cu electricitate.
- **Supapa hidraulică de siguranță (circuitul de încălzire)**
Acest dispozitiv e reglat la 3 bar și e utilizat pentru circuitul de încălzire.
- **Valva de siguranță hidraulică (circuit apă menajeră)**
Acest dispozitiv, calibrat pentru o presiune de 8 bar, deservește circuitul de apă menajeră (boiler).

Se recomandă conectarea valvelor de siguranță la un tub de evacuare prevăzut cu un sifon. Se interzice utilizarea acestora pentru a goli circuitul de încălzire și/sau de apă menajeră.

23. POZIȚIONAREA ELECTRODULUI-SENZOR PENTRU APRINDERE ȘI FLACĂRĂ

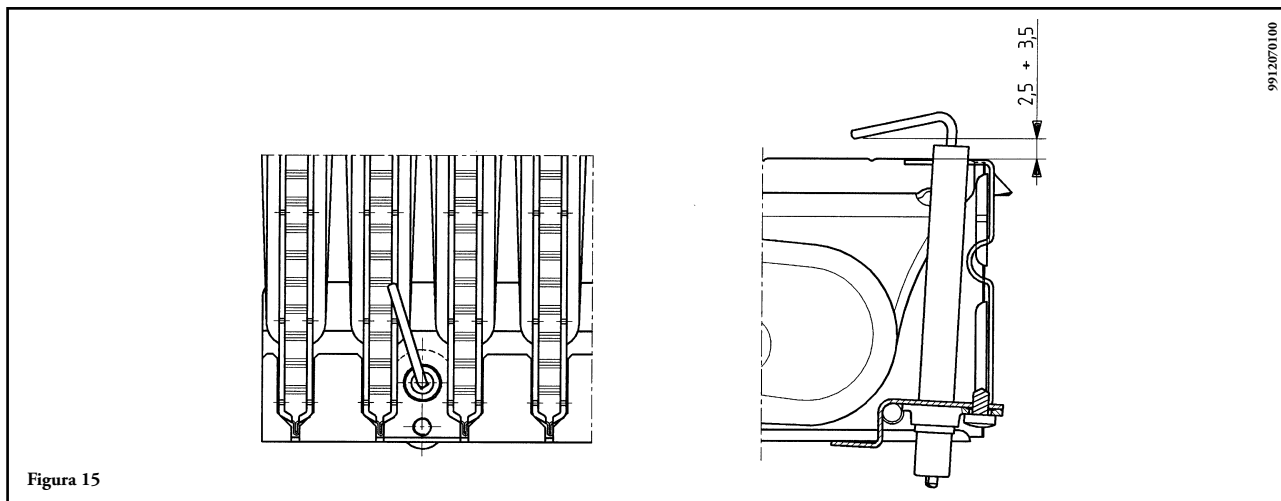


Figura 15

24. VERIFICAREA PARAMETRILOR DE COMBUSTIE

Centrala are două puncte de conectare proiectate în mod special pentru a permite tehnicienilor să măsoare eficiența arderii după instalare și pentru ca produsele de ardere să nu constituie un risc pentru sănătate.

Un punct de conectare e racordat la circuitul de evacuare a gazelor arse și permite monitorizarea calității produselor de combustie și a eficienței arderii.

Celălalt e racordat la circuitul de admisie a aerului și permite verificarea reciclării produselor de ardere în cazul conductelor coaxiale.

Următorii parametri pot fi măsurați la punctul de conectare de pe circuitul de evacuare gaze arse:

- temperatura produselor de ardere;
- concentrația de oxigen (O_2) sau dioxid de carbon (CO_2);
- concentrația de monoxid de carbon (CO).

Temperatura aerului comburant trebuie măsurată la punctul de conectare de pe circuitul de admisie aer, introducând sonda de măsurare la o adâncime de circa 3 cm.

Pentru modelele de centrale cu tiraj natural, trebuie practicat un orificiu în conducta de evacuare gaze arse, la o distanță față de centrală egală cu dublul diametrului interior al conductei.

Următorii parametri pot fi măsurați prin acest orificiu:

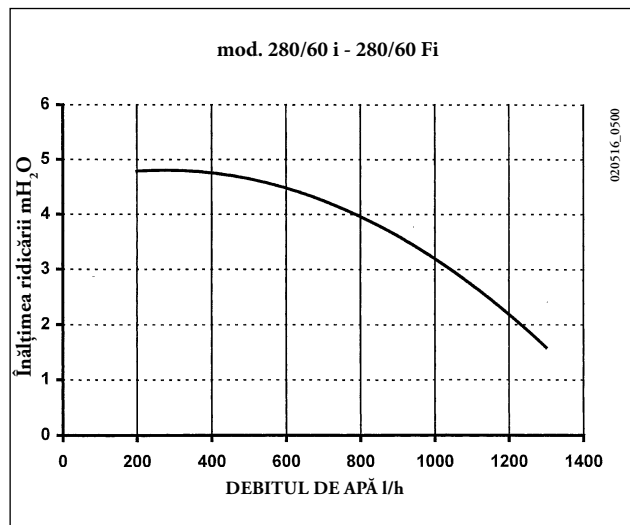
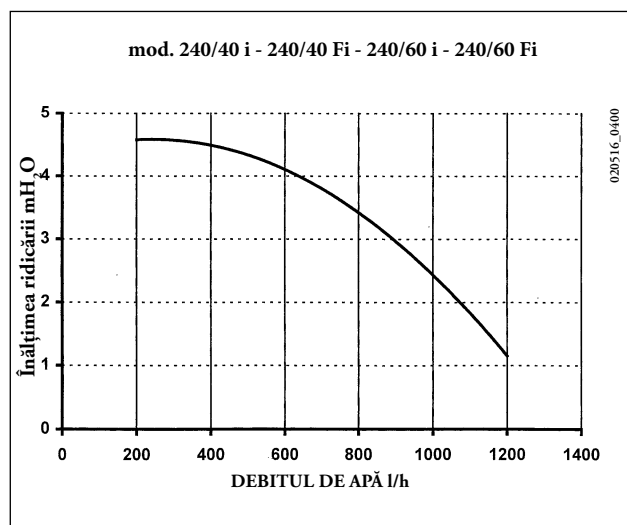
- temperatura produselor de ardere;
- concentrația de oxigen (O_2) sau dioxid de carbon (CO_2);
- concentrația de monoxid de carbon (CO).

Temperatura aerului comburant trebuie măsurată aproape de punctul în care aerul intră în centrală.

Orificiul, care trebuie efectuat de persoana care se ocupă de punerea în funcțiune a instalației, trebuie să fie sigilat astfel încât conducta de evacuare a produselor de ardere să fie etanșă în timpul funcționării normale.

25. PERFORMANȚE DEBIT / ÎNĂLȚIME DE POMPARE

Aceasta e o pompă cu o înălțime statică mare de pompare, adecvată pentru instalații de încălzire de orice tip, cu tuburi simple sau duble. Aerisitorul încorporat în pompă permite evacuarea rapidă a aerului din instalația de încălzire.



NOTĂ: Pentru modelele Boyler Digit 240 este disponibilă o pompă cu putere superioară având aceleași caracteristici cu cele ale pompei montate pe modelele Boyler Digit 280.

26. GOLIREA APEI DIN BOILER

Golirea apei din boiler poate fi efectuată procedând după cum urmează:

- închideți maneta de admisie a apei menajere;
- deschideți o valvă de utilizare;
- deșurubați virola valvei de evacuare (Fig. 15);
- deșurubați ușor piulița montată pe tubul de ieșire al apei menajere din boiler

27. RECIPIENT DE EXPANSIUNE PENTRU APA MENAJERĂ

Kit-ul vasului de expansiune este constituit din:

- 1 vas de expansiune din oțel inoxidabil;
- 1 suport pentru vasul de expansiune;
- 1 tub flexibil de conectare.
- 1 tub Ø 8 de racordare a vasului de expansiune apă menajeră.

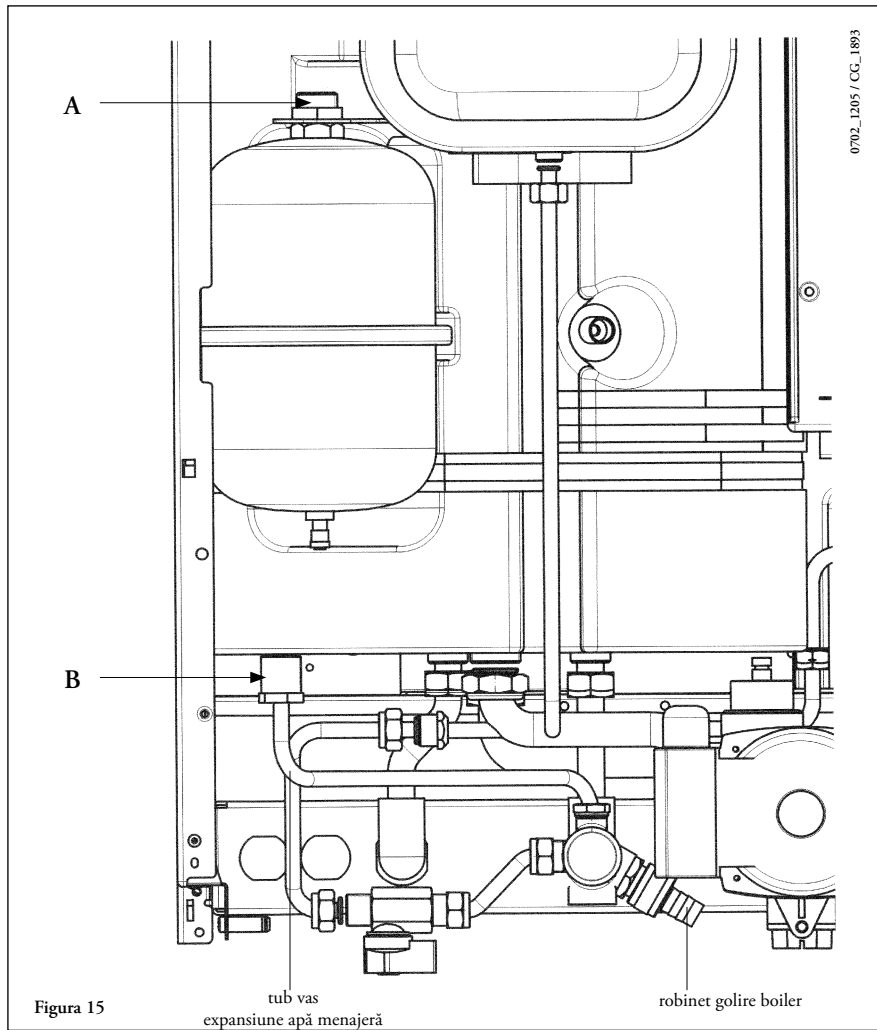
Conectați tubul flexibil (furnizat ca accesoriu în kitul pentru vasul de expansiune) pe cele două racorduri **A** și **B** așa cum se arată în fig. 15.

În cazul în care:

- presiunea apeductului sau a sistemului de ridicare a apei este de natură să necesite instalarea unui reductor de presiune (presiune mai mare de 4 bar)
- pe rețeaua de apă rece este instalată o supapă de reținere
- extinderea rețelei de apă rece este insuficientă pentru expansiunea apei conținute în boiler și este necesară utilizarea vasului de expansiune de la circuitul de apă menajeră.

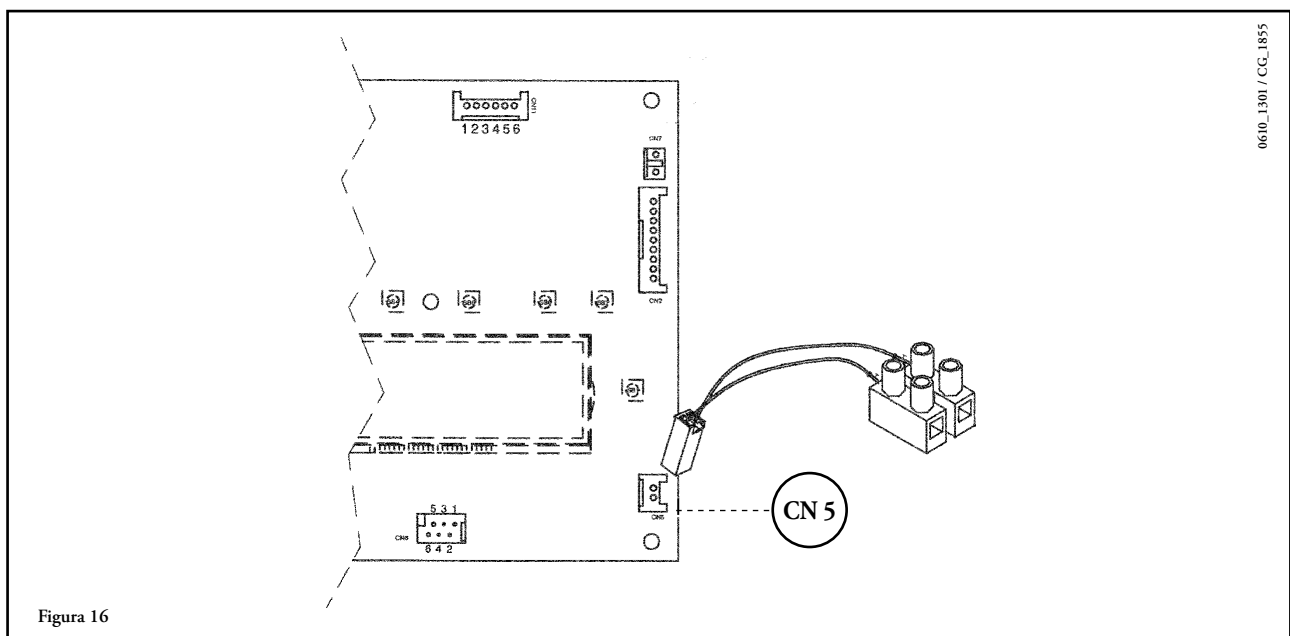
Recomandare

Pentru o funcționare eficientă a vasului de expansiune, presiunea apeductului trebuie să fie mai mică de 4 bar. În caz contrar, instalați un reductor de presiune. Reductorul de presiune trebuie reglat astfel încât să se obțină o presiune de alimentare a apei mai mică de 4 bar.



Pentru zone de utilizare deosebite, în care caracteristicile de duritate a apei depășesc valorile de 25 °F (1 °F = 10 mg de carbonat de calciu la un litru de apă) se recomandă instalarea unui dozator de polifosfați sau a unor sisteme cu efect identic, care să corespundă normelor în vigoare.

28. CONECTAREA SONDEI EXTERNE



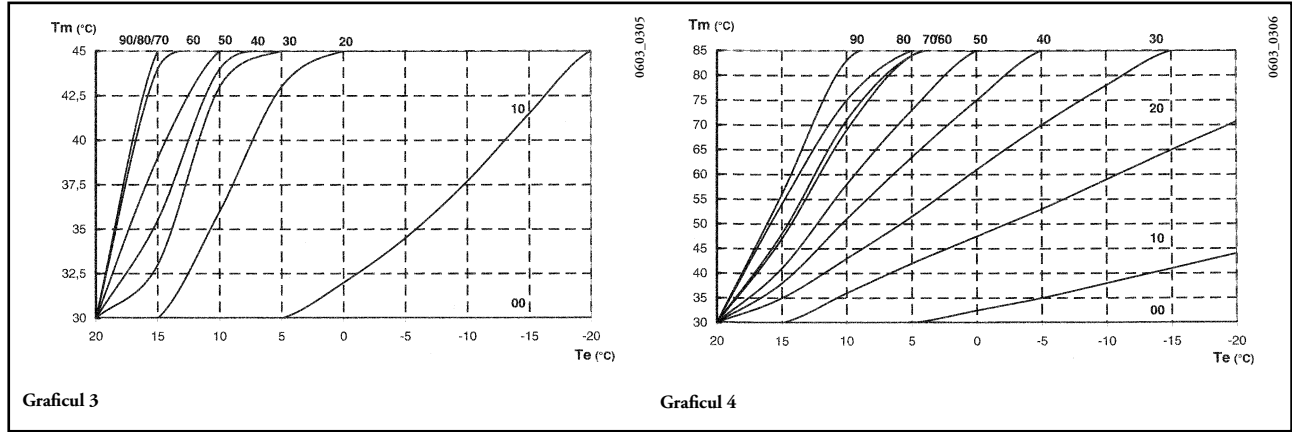
Cu sonda externă racordată e posibil să se efectueze reglarea temperaturii din turul circuitului de încălzire în două moduri diferite.

În cazul în care comanda la distanță a fost instalată în centrală (paragraful 17.1), reglarea temperaturii din turul circuitului de încălzire depinde de curba **K REG** (graficul 3) reglată manual cu ajutorul tastelor +/- .

În cazul în care comanda la distanță a fost instalată pe perete (paragraful 17.2), reglarea temperaturii din turul circuitului de încălzire e automată. Unitatea electronică va regla, în mod automat, curba climatică corectă, în funcție de temperatura externă și de temperatura ambiantă detectată (consultați și capitolul 19.1).

IMPORTANT: valoarea temperaturii din tur **TM** depinde de setarea parametrului F16 (capitolul 20). Temperatura max. setată poate fi astfel de 85 sau 45 °C.

Curbe kt



TM = temperatura din tur (°C)
Te = temperatura externă (°C)

29. RACORDAREA ELECTRICĂ A COMENZII LA DISTANȚĂ

(FURNIZATĂ CA ACCESORIU)

Comanda la distanță nu e cuprinsă în dotarea centralei pentru că e furnizată ca accesoriu.

Deschideți cutia cartelei electronice și conectați cablul (furnizat împreună cu blocul de conexiuni cu doi pini) în conectorul CN7 al cartelei electronice a centralei. Conectați bornele comenzii la distanță la blocul de conexiuni cu doi pini (figura 17).

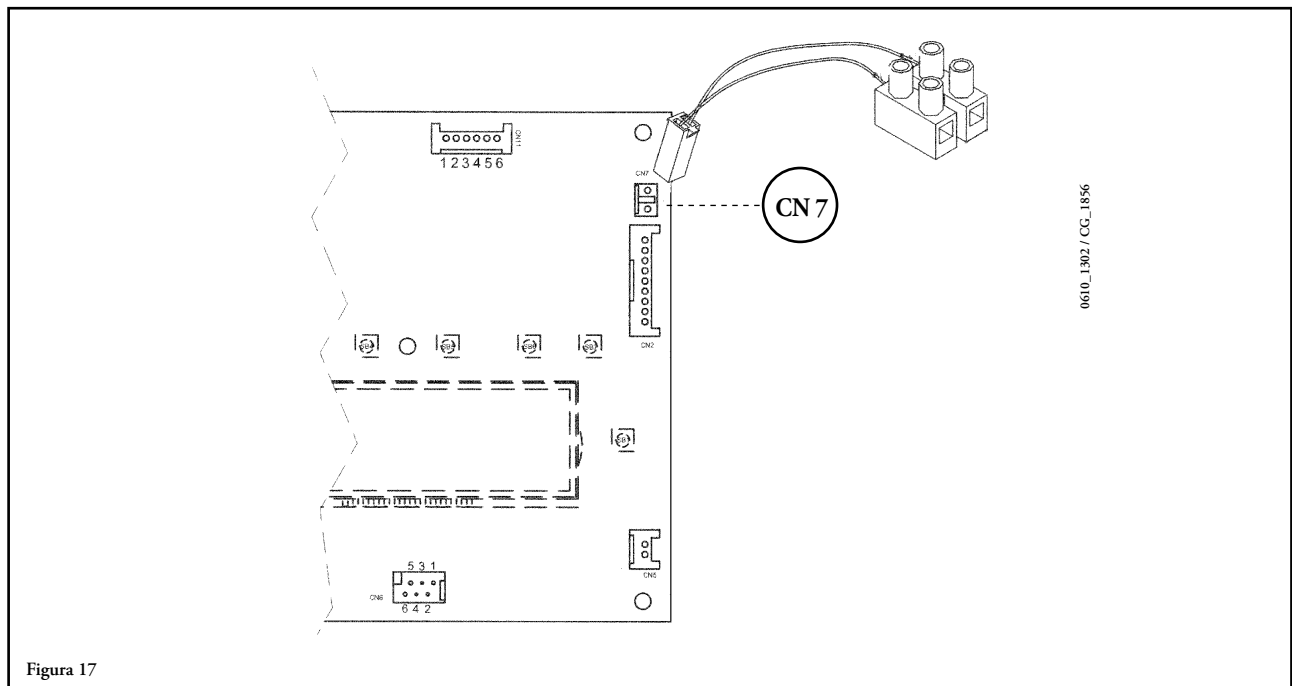


Figura 17

30. CONEXIUNILE ELECTRICE LA O INSTALAȚIE MULTI-ZONE

30.1 - CONECTAREA CARTELEI RELEU (FURNIZATĂ CA ACCESORIU)

Cartela releu nu e cuprinsă în dotarea centralei pentru că e furnizată ca accesoriu.

Conectați bornele **1-2-3** (comun - normal închis - normal deschis) ale conectorului **CN1** la bornele **10-9-8** de pe panoul de borne **M2** al centralei (figura 18).

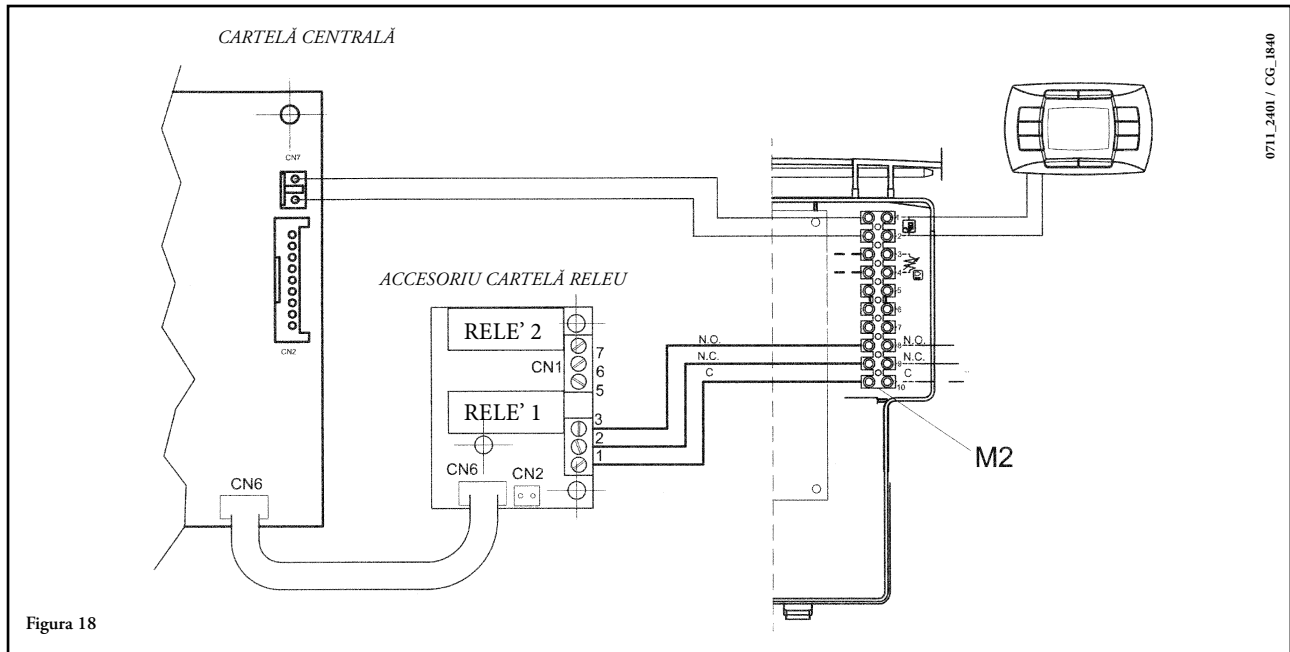


Figura 18

30.2 - CONECTAREA ZONELOR

Conectați comutatorul care controlează aceste zone care nu sunt controlate de comanda la distanță în paralel cu bornele "TA" 1-2 de pe panoul de borne **M1** așa cum se arată în figura de mai jos. Zona controlată de comanda la distanță e deservită de valva solenoid pentru zona 1.

Comanda la distanță controlează automat temperatura camerei din zona proprie.

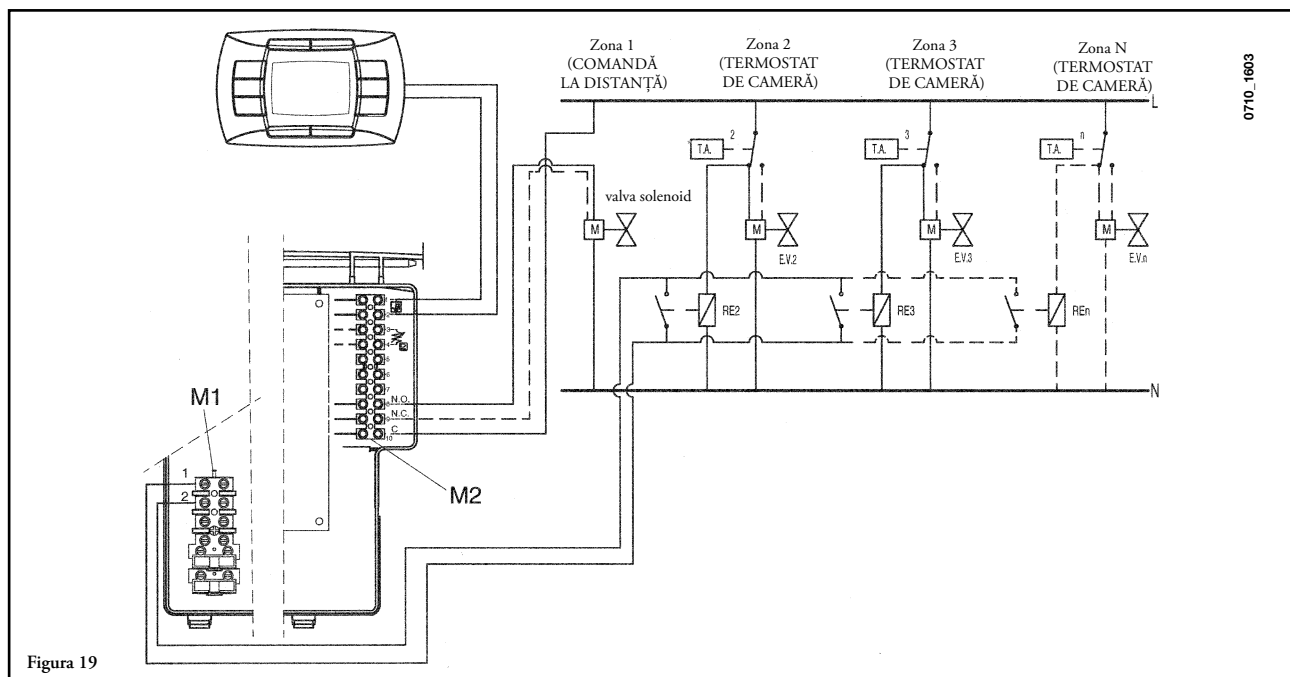


Figura 19

IMPORTANT: Pentru o instalație multi-zone asigurați-vă că parametrul **F04 = 2** (așa cum se arată în secțiunea 21).

31. ÎNTREȚINEREA ANUALĂ

Pentru a asigura funcționarea eficientă a centralei este necesar să efectuați anual următoarele controale:

- controlul aspectului și al etanșeității garniturilor circuitului de gaz și ale circuitului de combustie;
- controlul stării și corectitudinii poziției electrozilor de aprindere și de detectare a flăcării;
- controlul stării arzătorului și a corectitudinii fixării sale;
- controlul pentru depistarea unei eventuale prezențe de impurități în interiorul camerei de combustie; pentru curățare utilizați un aspirator;
- controlul corectitudinii reglării valvei de gaz;
- controlul presiunii în instalația de încălzire;
- controlul presiunii în vasul de expansiune;
- controlul corectitudinii funcționării ventilatorului;
- controlul faptului ca conductele de evacuare gaze arse/admisie aer să nu fie obturate;
- controlul pentru depistarea unei eventuale prezențe de impurități în interiorul sifonului, în cazul centralelor corespunzătoare;
- controlul integrității anodului de magneziu, dacă este prezent, în cazul centralelor dotate cu boiler.

ATENȚIE

Înainte oricărei intervenții asigurați-vă că centrala a fost deconectată de la rețeaua electrică.

După finalizarea operațiilor de întreținere readuceți selectoarele și/sau parametrii de funcționare la pozițiile originale.

32. SCHEMA CENTRALEI

240/40 i - 240/60 i - 280/60 i

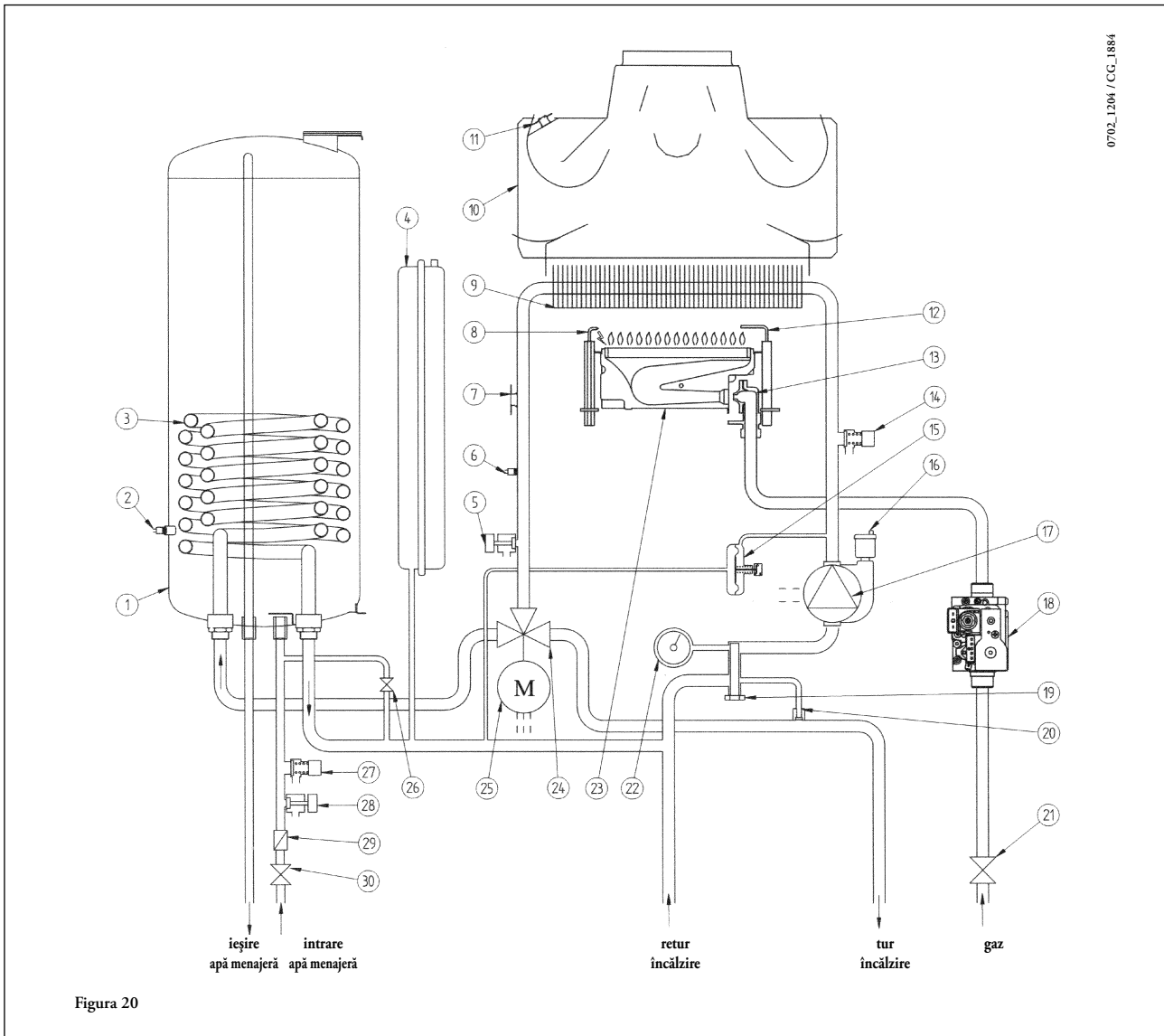


Figura 20

Legendă:

- | | |
|---|--|
| 1 boiler | 17 Pompă de circulație și separator de aer |
| 2 sondă boiler | 18 Supapa de gaz |
| 3 schimbător circuit apă menajeră | 19 filtru retur încălzire |
| 4 Vas de expansiune | 20 By-pass automat |
| 5 robinet golire centrală | 21 robinet gaz |
| 6 Senzor NTC încălzire centrală | 22 Manometru |
| 7 Termostat de siguranță | 23 arzător |
| 8 Electrode de aprindere | 24 Vană cu trei căi |
| 9 schimbător apă-gaze arse | 25 Motor vană cu trei căi |
| 10 hotă gaze arse | 26 robinet de încărcare centrală |
| 11 termostat gaze arse | 27 valvă de siguranță circuit apă menajeră 8 bar |
| 12 Electrode detector de flacără | 28 Robinet de evacuare a boilerului |
| 13 rampă gaz cu injectoare | 29 regulator de flux |
| 14 valvă de siguranță circuit încălzire 3 bar | 30 robinet admisie apă |
| 15 presostat diferențial hidrolic | |
| 16 valvă automată evacuare aer | |

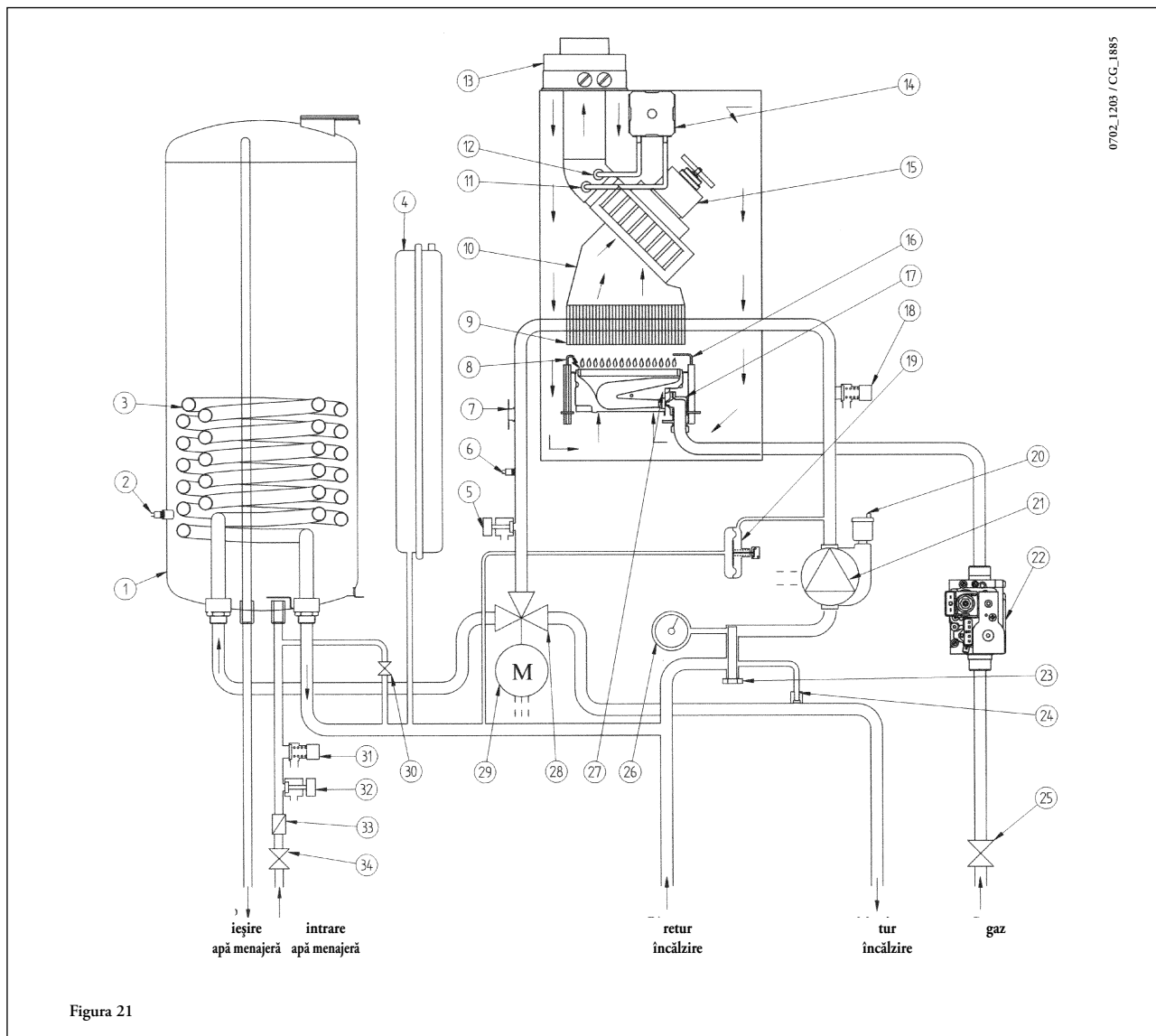


Figura 21

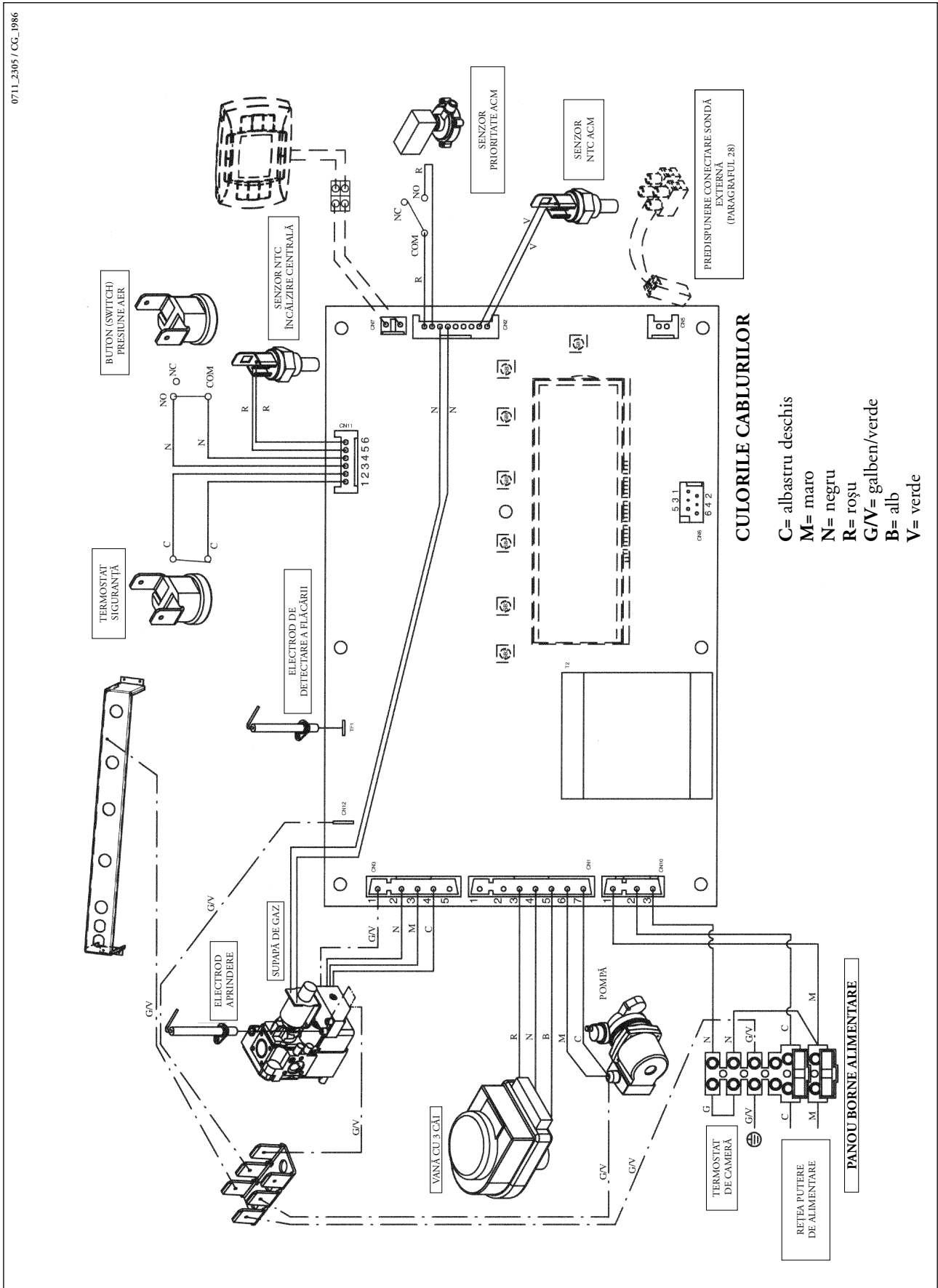
Legendă:

- | | |
|-----------------------------------|--|
| 1 boiler | 18 valvă de siguranță circuit încălzire 3 bar |
| 2 sondă boiler | 19 presostat diferențial hidraulic |
| 3 schimbător circuit apă menajeră | 20 valvă automată evacuare aer |
| 4 Vas de expansiune | 21 Pompă de circulație și separator de aer |
| 5 robinet golire centrală | 22 Supapă de gaz |
| 6 Senzor NTC încălzire centrală | 23 filtru retur încălzire |
| 7 Termostat de siguranță | 24 By-pass automat |
| 8 Electrode de aprindere | 25 robinet gaz |
| 9 schimbător apă-gaze arse | 26 Manometru |
| 10 hotă gaze arse | 27 arzător |
| 11 Punct de presiune negativă | 28 Vană cu trei căi |
| 12 Punct presiune pozitivă | 29 Motor vană cu trei căi |
| 13 racord concentric | 30 robinet de încărcare centrală |
| 14 presostat aer | 31 valvă de siguranță circuit apă menajeră 8 bar |
| 15 Ventilator | 32 Robinet de evacuare a boilerului |
| 16 Electrode detector de flacără | 33 regulator de flux |
| 17 rampă gaz cu injectoare | 34 robinet admisie apă |

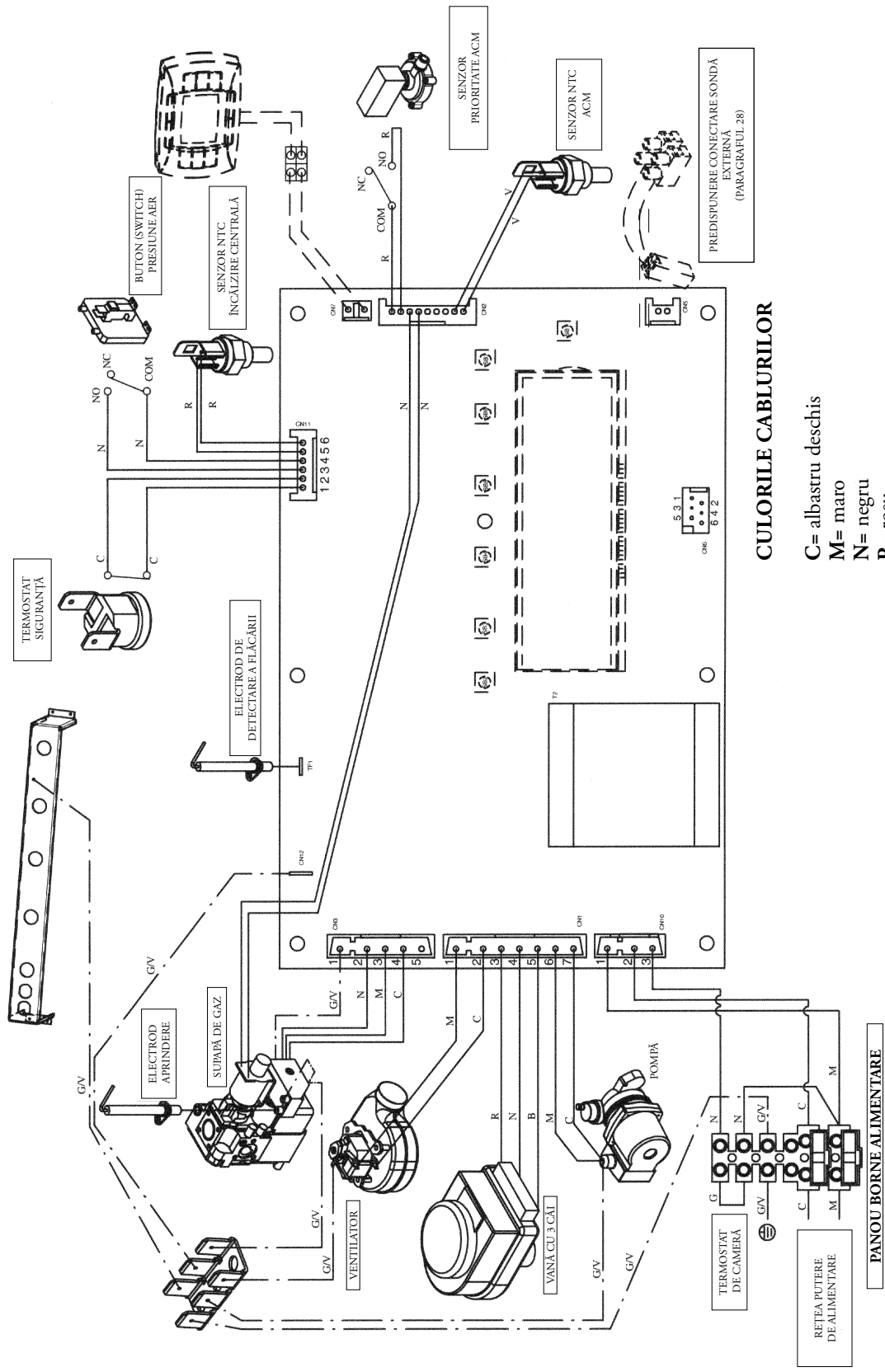
33. SCHEMA ILUSTRATĂ A CONEXIUNILOR

240/40 i - 240/60 i - 280/60 i

0711_2305 / CC_1986



0711_2306 / CG_1985



CULORILE CABLURILOR

- C= albastru deschis
- M= maro
- N= negru
- R= roșu
- G/V= galben/verde
- B= alb
- V= verde

34. DATE TEHNICE

Model BOYLER DIGIT		240/40 i	240/60 i	280/60 i	240/40 Fi	240/60 Fi	280/60 Fi
Categoria		II _{2H3B/P}	II _{2H3B/P}	II _{2H3B/P}	II _{2H3B/P}	II _{2H3B/P}	II _{2H3B/P}
Putere maximă absorbită	kW	27,1	27,1	31,1	26,3	26,3	30,1
Putere absorbită redusă	kW	11,9	11,9	11,9	11,9	11,9	11,9
Putere termică maximă	kW	24,4	24,4	28	24,4	24,4	28
	kcal/h	21.000	21.000	24.080	21.000	21.000	24.080
Putere termică redusă	kW	10,4	10,4	10,4	10,4	10,4	10,4
	kcal/h	8.900	8.900	8.900	8.900	8.900	8.900
Eficiența utilă în conformitate cu Directiva 92/42/CEE	-	★★	★★	★★	★★★	★★★	★★★
Presiunea max. din instalația de încălzire centrală	bar	3	3	3	3	3	3
Capacitatea vasului de expansiune	l	7,5	7,5	7,5	7,5	7,5	7,5
Capacitate de acumulare a boilerului	l	40	60	60	40	60	60
Presiunea vasului de expansiune	bar	0,5	0,5	0,5	0,5	0,5	0,5
Producere apă menajeră la evacuare $\Delta T=30^{\circ}\text{C}$	l/30min	350	390	450	350	390	450
Presiunea max. din instalația de A.C.M.	bar	8	8	8	8	8	8
Producția de ACM la $\Delta T=25^{\circ}\text{C}$	l/min	14	14	16,1	14	14	16,1
Producția de ACM la $\Delta T=35^{\circ}\text{C}$	l/min	10	10	11,5	10	10	11,5
Debit specific (*)	l/min	14,5	18,2	19	14,5	18,2	19
Tip	-	B _{11BS}	B _{11BS}	C12 - C32 - C42 - C52 - C82 - B22			
Diametrul conductei concentrice de evacuare	mm	-	-	-	60	60	60
Diametrul conductei concentrice de admisie aer	mm	-	-	-	100	100	100
Diametrul conductei concentrice de admisie aer	mm	-	-	-	80	80	80
Diametrul conductei de admisie aer cu tuburi duble	mm	-	-	-	80	80	80
Diametrul conductei de evacuare	mm	140	140	140	-	-	-
Debitul max. de evacuare gaze arse	kg/s	0,022	0,022	0,024	0,022	0,018	0,018
Debitul min. de evacuare gaze arse	kg/s	0,021	0,021	0,021	0,019	0,017	0,018
Temperatura max. gaze arse	$^{\circ}\text{C}$	110	110	115	134	134	142
Temperatură min. gaze arse	$^{\circ}\text{C}$	82	82	82	108	108	108
Clasa NOx	-	3	3	3	3	3	3
Tipul de gaz utilizat	-	G20	G20	G20	G20	G20	G20
	-	G30-G31	G30-G31	G30-G31	G30-G31	G30-G31	G30-G31
Presiunea de alimentare cu gaz natural	G20	mbar	20	20	20	20	20
Presiunea de alimentare cu gaz butan	G30	mbar	28-30	28-30	28-30	28-30	28-30
Presiunea de alimentare cu gaz propan	G31	mbar	37	37	37	37	37
Tensiunea de alimentare	V	230	230	230	230	230	230
Frecvența curentului electric	Hz	50	50	50	50	50	50
Consumul de energie electrică	W	110	110	110	190	190	190
Greutate netă	kg	60	60	60	70	70	70
Dimensiuni	înălțime	mm	950	950	950	950	950
	lățime	mm	600	600	600	600	600
	adâncime	mm	466	466	466	466	466

Limita de protecție împotriva umidității și a pierderilor de apă (**)

— IP X5D IP X5D IP X5D IP X5D IP X5D IP X5D

(*) în conformitate cu EN 625

(**) în conformitate cu EN 60529

WESTEN, în acțiunea sa constantă de îmbunătățire a produselor, își rezervă posibilitatea de a modifica datele conținute în această documentație în orice moment și fără preaviz. Prezenta documentație este un suport informativ și nu trebuie considerată un contract încheiat cu terțe părți.

Tisztelt Vásárló!

Biztosak vagyunk abban, hogy az Ön új kazánja meg fog felelni az Ön összes követelményének.

Termékeink egyikének megvásárlása kielégíti az Ön várakozásait: a jó működés, az egyszerűség és a könnyű használat elvárását. Ne dobja el ezt a füzetet anélkül, hogy elolvasná: a füzetben néhány nagyon hasznos információ található, amelyek segítenek Önnek a kazán helyes és hatékony üzemeltetésében.

Ne hagyja a csomagolás bármely részét (muanyag zsákok, polisztirol stb.) gyermekek által elérhető helyen, mert ezek potenciális veszélyforrások.

Kazánjaink viselik a CE jelölést az alábbi Irányelvekben lefektetett alapkövetelményeknek megfelelően:

- 90/396/EGK sz. gáz irányelv
- 92/42/EGK sz. teljesítmény irányelv
- 2004/108/EGK sz. elektromágneses kompatibilitási irányelv
- 2006/95/EK sz. alacsony feszültségre vonatkozó irányelv



TARTALOMJEGYZÉK

UTASÍTÁSOK A FELHASZNÁLÓ RÉSZÉRE

1. A felszerelést megelőző utasítások	62
2. Az üzembe helyezést megelőző utasítások	62
3. A kazán üzembe helyezése	63
4. A fűtési és hálózati melegvíz hőmérsékletének szabályozása	64
5. A kazán feltöltése	65
6. A kazán kikapcsolása	65
7. A rendszer hosszabb idejű üzemzűnete. Fagyvédelem	65
8. Gázváltás	65
9. Jelzések - biztonsági berendezések beavatkozása	66
10. Szervizelési utasítások	66

UTASÍTÁSOK A SZERELO RÉSZÉRE

11. Általános információ	67
12. A felszerelést megelőző utasítások	67
13. A kazán felszerelése	68
14. A kazán mérete	68
15. Tartozékként szállított készlet	69
16. A füst és levegő vezetékek felszerelése	69
17. A hálózati áramellátás csatlakoztatása	73
18. Szobatermosztát bekötése	73
19. Gázváltási módok	74
20. Információk megjelenítése	76
21. Paraméterek beállítása	78
22. Ellenőrző és működtető eszközök	79
23. A gyújtó és lángérzékelő elektróda elhelyezése	80
24. Az égési paraméterek ellenőrzése	80
25. Kíméno / szivattyú emelési magasságának teljesítménye	81
26. A vízmelegítőben lévő víz kiürítése	81
27. HMV táglási tartály (külön igényelhető részegység)	81
28. A külső mérőfej csatlakoztatása	82
29. A távirányító elektromos bekötése	83
30. Elektromos csatlakozások többzónás rendszerhez	84
31. A kazán vázlatrajza	85
32. A kazán vázlatrajza	86-87
33. Illusztrált huzalozási rajz	88-89
34. Műszaki adatok	90

1. A FELSZERELÉST MEGELOZO UTASÍTÁSOK

Ezt a kazánt atmoszférikus nyomáson a forrási hőmérsékletnél alacsonyabb hőmérsékletű víz melegítésére terveztük. A kazánt központi fűtő rendszerhez és háztartási meleg víz ellátó rendszerhez kell csatlakoztatni a teljesítményeinek és a kimenő teljesítményének megfelelően. A kazán felszerelését képzett szervizművelővel végeztesse, és biztosítsa az alábbi műveletek elvégzését:

- a) Gondos ellenőrzés arra vonatkozóan, hogy a kazán alkalmas-e a rendelkezésre álló gázfajttal való üzemelésre. További részletes utasítások a csomagoláson és a készüléken lévő címkén találhatóak.
- b) annak gondos ellenőrzése, hogy a füstelvezető végződés huzatja megfelelő-e; nincs-e elzáródva, és hogy nincsenek-e más készülék füstgázai ugyanazon füstcsatornán át elvezetve, hacsak nem kifejezetten arra tervezték, hogy egynél több készülékből érkező füstgáz összegyűjtését végezze, a hatályos törvényeknek és rendelkezéseknek megfelelően.
- c) Annak gondos ellenőrzése, hogy abban az esetben, ha a füstöt már meglévő füstcsatornához csatlakoztatják, alapos tisztítás legyen elvégezve, nehogy abból maradék égéstermék kerülhessenek ki a kazán működése során és elzárják a füstcsatornát.
- d) A készülék helyes üzemeltetésének biztosítására és a garancia érvényessége elvesztésének elkerülésére ügyeljen az alábbi óvórendszabályokra:

1. Meleg víz áramkör:

1.1. Ha a víz keménysége nagyobb, mint 20 °F (1 °F = 10 mg kalcium karbonát/1 liter víz), akkor polifoszfát vagy hasonló kezelést kell végezni a hatályos rendelkezések betartásával.

1.2. A háztartási meleg vizes áramkört alaposan át kell öblíteni a készülék felszerelése után és annak használata előtt.

2. Fűtési áramkör

2.1. Új rendszer

A kazán felszerelése előtt a rendszert alaposan meg kell tisztítani, és át kell öblíteni a maradék menetvági forgács, forrasanyag és az esetleges oldószerek eltávolítása céljából, alkalmas termékek használatával.

A fém, műanyag és gumi alkatrészek károsodásának elkerülésére csak semleges hatású, vagyis nem savas és nem lúgos, tisztítószereket használjon. A tisztításhoz ajánlott termékek:

SENTINEL X300 vagy X400 és FERNOX fűtőáramkör helyreállító. Ennek a terméknek a használatánál kövesse szigorúan a gyártó útmutatásait.

2.2. Meglévő rendszer

A kazán felszerelése előtt a rendszert alaposan meg kell tisztítani a maradék iszaptól és szennyeződésektől, és át kell öblíteni a 2.1 fejezetben ismertetett alkalmas termékek használatával.

A fém, műanyag és gumi alkatrészek károsodásának elkerülésére csak olyan semleges hatású, vagyis nem savas és nem lúgos, tisztítószereket használjon, mint a SENTINEL X100 és FERNOX fűtőáramkör védőszer. Ennek a terméknek a használatánál kövesse szigorúan a gyártó útmutatásait.

Ne feledje, hogy idegen anyag jelenléte a fűtési rendszerben károsan befolyásolja a kazán működését (pl. túlmelegedést és a hocserező zajos működését okozza).

A fentiek betartásának elmulasztása a garancia elvesztését vonja maga után.

2. AZ ÜZEMBE HELYEZÉST MEGELOZO UTASÍTÁSOK

A kazán kezdeti begyűjtését engedéllyel rendelkező technikusnak kell elvégezni. Biztosítsa az alábbi műveletek elvégzését:


- a) Az (elektromos, víz, gáz) ellátó rendszerek beállításainak megfelelő kazánparaméterek.
- b) A hatályos törvényeknek és rendelkezéseknek megfelelő felszerelés.
- c) Az áramellátás és a készülék földelésének megfelelő csatlakoztatása.


A fentiek betartásának elmulasztása a garancia elvesztését vonja maga után.

Az üzembe helyezést megelőzően távolítsa el a védő műanyag bevonatot az egységről. Ehhez ne használjon semmilyen szerszámot vagy dörzshatású tisztítószert, mert ezzel rongálhatja a festett felületeket.

3. A KAZÁN ÜZEMBE HELYEZÉSE


A kazán helyes begyűjtéséhez kövesse az alábbi eljárást:

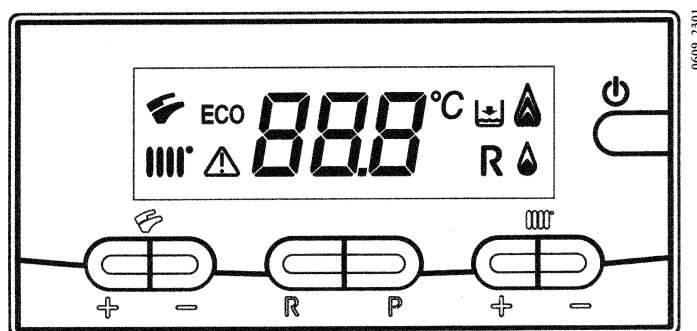
- Biztosítsa az áramellátást a kazánhoz.
- nyissa ki a gázcsapot;
- Nyomja le a  gombot (kb. 2 másodpercig) a kazán működési módjának beállításához a 3.2 bekezdésben leírtak szerint.

MEGJEGYZÉS: Ha a nyári üzemmód van beállítva , akkor a kazán csak a melegvíz-igény alatt gyűjt be .

- A központi fűtési és a háztartási meleg víz hőmérsékletek beállításához nyomja meg a 4. fejezetben ismertetett megfelelő +/- gombokat.

FIGYELMEZTETÉS






Az első bekapcsolásnál mindaddig, amíg a gázcsőből nem ürül ki a levegő, az égő nem kapcsol be, és ennek következtében a kazán leáll. Ebben az esetben javasoljuk, hogy ismételje meg a bekapcsolást mindaddig, amíg a gáz eljut az égőhöz, ehhez legalább 2 másodpercig tartsa lenyomva a RESET gombot .



KIJELZŐ SZIMBÓLUMOK JELMAGYARÁZATA:

	Fűtési működés engedélyezése
	HMV működési mód engedélyezése
	Láng jelenléte - 2. ábra (teljesítményszint 0 - 25%)
	Lángmodulációs szint - 2. ábra (3. teljesítményszint)
	Általános rendellenesség
	RESET
	Nincs víz (Berendezés nyomása alacsony)
	Számkielzés (Hőmérséklet, rendellenesség kódja stb.)
	Működés ECO üzemmódban

GOMBOK JELMAGYARÁZATA:

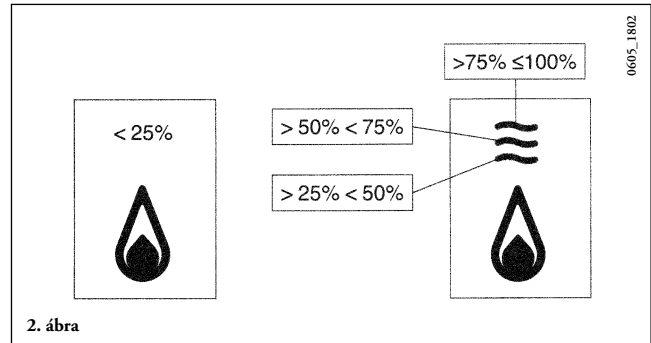
	+ -	HMV hőmérséklet beállítása (°C)
	+ -	Fűtési víz hőmérsékletének beállítása (°C)
		RESET (kazán működésének helyreállítása)
		ECO - COMFORT
		MÓD gomb (lásd a 3.2 bekezdést)

1. ábra

Amennyiben a tartozékként szállított távvezérlőt bekötik a kazán összes beállítását a távirányítóval kell elvégezni. Lásd a tartozékhoz tartozó utasítást.

3.1 SZIMBÓLUM JELENTÉSE

A kazán működése közben a 2. ábrán bemutatott módon a kazán modulációs fokára vonatkozóan 4 különböző teljesítményszintet lehet megjeleníteni.



3.2 A (nyári - téli - csak futés - kikapcsolva) GOMB BEMUTATÁSA

Ennek a gombnak a megnyomásával a kazán alábbi üzemmódjai állíthatók be:

- NYÁRI
- TÉLI
- CSAK FUTÉS
- KIKAPCSOLVA

A **NYÁRI** állásban a kijelzőn megjelenik a szimbólum. A kazán csak a használati melegvízhez szükséges hoigényt elégíti ki, a futési funkció NEM engedélyezett (a fagyás elleni védelem funkciója bekapcsolt állapotban).

A **TÉLI** állásban a kijelzőn megjelennek a szimbólumok. A kazán mind a használati melegvízhez, mind a futéshez szükséges hoigényt kielégíti (a fagyás elleni védelem funkciója bekapcsolt).

A **CSAK FUTÉS** állásban a kijelzőn megjelenik a szimbólum. A kazán csak a futéshez szükséges hoigényt elégíti ki (a fagyás elleni védelem funkciója bekapcsolt).

A **KIKAPCSOLVA** állásban a kijelzőn a két szimbólum közül egyik sem jelenik meg. Ebben az üzemmódban csak a fagyás elleni védelem funkciója engedélyezett, vagyis a kazán sem a használati melegvízhez, sem a futéshez szükséges hoigényt nem elégíti ki.

4. A FUTÉSI ÉS HÁLÓZATI MELEGVÍZ HŐMÉRSÉKLETÉNEK SZABÁLYOZÁSA

A futés előremenő ágának és a használati melegvíznek a hőmérsékletét az erre szolgáló gombokkal +/- (1. ábra) lehet szabályozni. Az égo begyulladását a kijelzőn látható szimbólum mutatja, a 3.1 pontban leírtak szerint.

FUTÉS

A kazán fűtési üzemmódban történő működése alatt az 1. ábra szerinti kijelzőn a szimbólum villog, és megjelenik a fűtés előremenő vizének hőmérséklete (°C).

HASZNÁLATI MELEGVÍZ

A kazán HMV üzemmódban az 1. ábra szerinti kijelzőn villogva megjelenik a szimbólum, valamint a vízmelegítő előremenő vizének hőmérséklete (°C).

A P gombbal két különböző HMV hőmérséklet értéket lehet beállítani, ezek az ECO és a COMFORT.

A hőmérsékleti értékek módosításához a következő módon járjon el:

ECO

Nyomja le a P gombot, a kijelzőn megjelenik az "eco" felirat, a +/- gombokkal állítsa be a kívánt hőmérséklet alapértékeket.

COMFORT


Nyomja le a P gombot, a kijelzőn megjelenik a beállítandó hőmérséklet értéke, a +/- gombokkal állítsa be a kívánt hőmérséklet alapértékeket.

5. A KAZÁN FELTÖLTÉSE

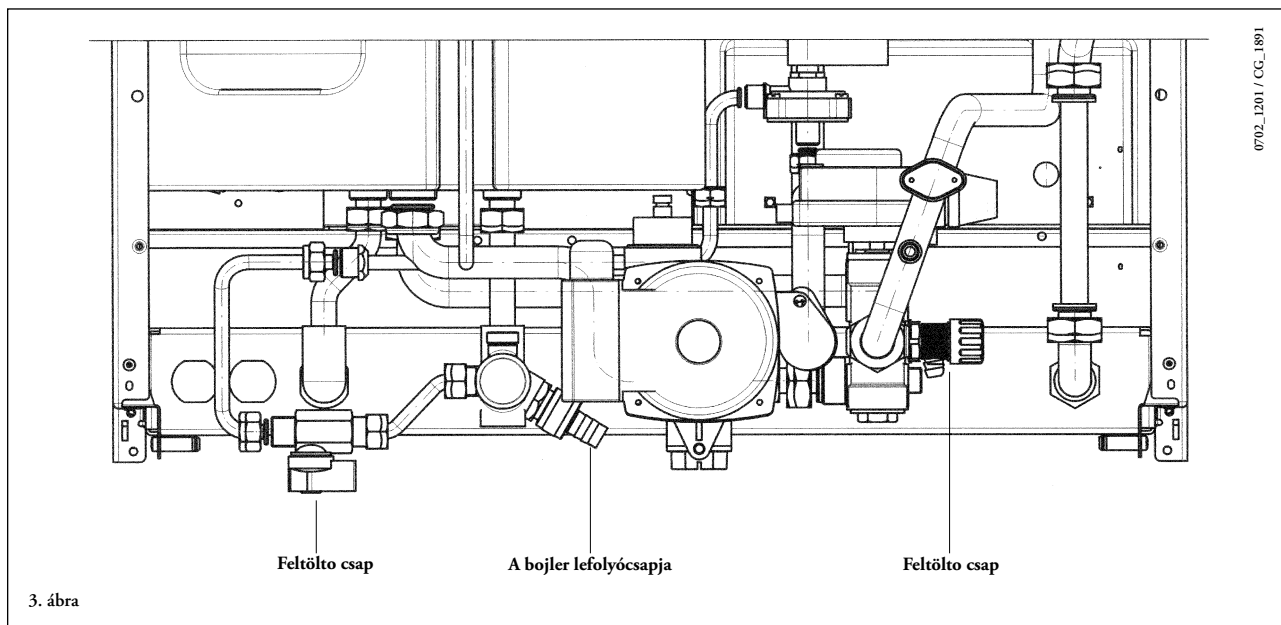
FONTOS: Ellenorizze rendszeresen, hogy a nyomásszabályozón (3. ábra) kijelzett nyomás 0,7 és 1,5 bar közötti legyen, amikor a kazán nem működik. Túlnyomás esetén nyissa ki a kazán ürítoszepélé (3. ábra).

Abban az esetben, ha a nyomás kisebb, nyissa ki a kazán töltőcsapját (3. ábra).

Javasoljuk, hogy a csapot nagyon lassan nyissa, hogy a levego eltávozzon.

Ez alatt a muvelet alatt a kazán "OFF" állapotban kell legyen (a következő  gombbal végezze el a beállítást: - 1 ábra).

MEGJEGYZÉS: Abban az esetben, ha gyakran keletkezik nyomásesés, ellenoriztesse a kazánt képesített szervizmérnökkel.



A kazán fel van szerelve hidraulikus differenciál-presszostáttal, amely a szivattyú akadályoztatása, vagy vízhiány esetén nem engedélyezi a kazán működését.

6. A KAZÁN KIKAPCSOLÁSA

A kazán kikapcsolásához áramtalanítsa a berendezést. Ha a kazán "OFF"-on van (3.2 bekezdés), az elektromos áramkörök feszültség alatt maradnak, és a fagymentesítő funkció aktív (8. bekezdés).

7. A RENDSZER HOSSZABB IDEJŰ ÜZEMSZÜNETE. FAGYVÉDELEM

Javasoljuk, hogy kerülje az egész rendszer leürítését, mert a vízcsera haszontalan és káros mészkő lerakódásokat idéz elő a kazán belsejében és a fűtoelemekben. Arra az esetre, ha a kazán a téli időszakban nem üzemel, és ezért fagyveszélynek van kitéve, javasoljuk valamilyen speciális-célú fagyállószert hozzáadását a rendszerben lévő vízhez (pl. korrózió- és vízko-gátlóval kombinált propilén-glikol).

A kazánok elektronikus vezérlése tartalmaz egy "fagyvédő" funkciót a központi fűtési rendszerben, ami működésbe hozza az égőt, hogy a fűtés áramlási hőmérséklete elérje a 30 oC értéket, amikor a fűtési áramlási hőmérséklet 5 oC alá csökken.

A fagyvédő funkció akkor van engedélyezve, ha:

- * a kazán áramellátása be van kapcsolva;
- * A gázellátó csap nyitva van;
- * A rendszer nyomása az előírás szerinti;
- * A kazán nincs blokkolva.

8. GÁZVÁLTÁS

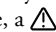
Ezek a földgázra beállított kazánok átállíthatók **PB gázzal** való üzemelésre.

Bármilyen gázváltási muveletet képesített szervizmérnöknek kell elvégezni.

9. JELZÉSEK - BIZTONSÁGI BERENDEZÉSEK BEAVATKOZÁSA

A rendellenességek a kijelzőn egy hibaazonosító kóddal jelennek meg (pl. E01).

R szimbólum jelzi a kijelzőn azokat a rendellenességeket, amelyeket a felhasználó helyreállíthat (4. ábra).

A kijelzőn azokat a rendellenességeket, amelyeket a felhasználó nem állíthat helyre, a  szimbólum jelzi (4.1 ábra).

A kazán RESZETELÉSÉHEZ legalább 2 másodpercig tartsa lenyomva a **R** gombot.



HIBA KÓD	A MEGHIBÁSODÁSOK leírása	JAVÍTÁSI TENNIVALÓ
E01	Gázellátási hiba	Nyomja meg a R gombot (1. ábra) legalább 2 másodpercig. Ha a hiba továbbra is fennáll, hívja a hivatalos szervizközpontot.
E02	A biztonsági hofokszabályozó érzékelő leoldott	Nyomja meg a R gombot (1. ábra) legalább 2 másodpercig. Ha a hiba továbbra is fennáll, hívja a hivatalos szervizközpontot.
E03	Kémény hofokszabályozó érzékelő leoldott / Füst nyomáskapcsoló leoldott	Hívja a hivatalos szervizközpontot.
E04	Biztonsági hiba gyakori lángvesztés miatt.	Hívja a hivatalos szervizközpontot.
E05	Központi futési NTC érzékelő hiba	Hívja a hivatalos szervizközpontot.
E06	Háztartási meleg víz NTC érzékelő hiba	Hívja a hivatalos szervizközpontot.
E11	A biztonsági termosztát beavatkozása a berendezés alacsony hőmérséklete miatt (ha be van kötve)	Hívja a hivatalos szervizközpontot.
E12	Hidraulikus differenciál presszosztát engedély hiányzik.	Ellenőrizze, hogy a berendezés nyomása az előírás szerinti legyen. Lásd az 5. bekezdést. Ha a rendellenesség továbbra is fennáll, hívja a felhatalmazott vevőszolgálatot.
E13	Hidraulikus differenciál presszosztát kontaktus hibás	Ellenőrizze, hogy a berendezés nyomása az előírás szerinti legyen. Lásd az 5. bekezdést. Ha a rendellenesség továbbra is fennáll, hívja a felhatalmazott vevőszolgálatot.
E25	Kazán maximum hőmérséklet túllépése (valószínűleg szivattyú megszorulás)	Hívja a hivatalos szervizközpontot.
E31	Kommunikációs hiba az elektronikus kártya és a távvezérlés között	Nyomja meg a R gombot (1. ábra) legalább 2 másodpercig. Ha a hiba továbbra is fennáll, hívja a hivatalos szervizközpontot.
E35	Hibás láng (parazita láng)	Nyomja meg a R gombot (1. ábra) legalább 2 másodpercig. Ha a hiba továbbra is fennáll, hívja a hivatalos szervizközpontot. Hívja a hivatalos szervizközpontot.
E98	Kártya belső hiba	Hívja a hivatalos szervizközpontot.
E99	Kártya belső hiba	Hívja a hivatalos szervizközpontot.

10. SZERVIZELÉSI UTASÍTÁSOK

A kazán hatékony és biztonságos működésének fenntartásához ellenőriztesse azt képzett szervizmérnökkel minden üzemelési időszak végén.

A gondos szervizelés biztosítja a rendszer gazdaságos működését.

Ne tisztogassa a készülék külső burkolatát csiszoló, maró hatású és/vagy könnyen gyulladó tisztítószerrel (pl. benzin, alkohol stb.). Tisztítás előtt mindig válassza le az áramellátást a készülékről (lásd 6. fejezetben).

11. ÁLTALÁNOS INFORMÁCIÓ

Az alábbi megjegyzések és utasítások a szervizmérnököknek szólnak, hogy segítse őket a telepítés hibátlan elvégzésében. A kazán begyűjtására és az üzemeltetésére vonatkozó utasítások a 'Felhasználóra tartozó utasítások' című fejezetben találhatóak.

Vegye figyelembe, hogy a háztartási gázkészülékek felszerelését, karbantartását és működtetését kizárólag szakképzett személyek végezhetik az érvényes szabványoknak megfelelően.

Kérjük, jegyezze meg az alábbiakat:

- * Ez a kazán csatlakoztatható bármilyen típusú kettős vagy egyes tápcsövu konvektor lapokhoz, radiátorokhoz és termokonvektorhoz. A rendszerszakaszok tervezését a szokásos módon kell végezni, azonban figyelembe kell venni a rendelkezésre álló kimenő teljesítményt / szivattyú emelési magasságot, a 24. fejezetben leírtak szerint.
- * Ne hagyja a csomagolás bármely részét (muanyag zsákok, polisztirol stb.) gyermekek által elérhető helyen, mert ezek potenciális veszélyforrások.
- * A kazán kezdeti begyűjtését képesített szervizmérnököknek kell elvégezni.

A fentiek betartásának elmulasztása a garancia elvesztését vonja maga után.

12. A FELSZERELÉST MEGELOZO UTASÍTÁSOK

Ezt a kazánt atmoszférikus nyomáson a forrási hőmérsékletnél alacsonyabb hőmérsékletű víz melegítésére terveztük. A kazánt központi fűtő rendszerhez és háztartási meleg víz ellátó rendszerhez kell csatlakoztatni a teljesítményeinek és a kimenő teljesítményének megfelelően. A kazán felszerelését képesített szervizmérnökkel végeztesse, és biztosítsa az alábbi műveletek elvégzését:

- a) Gondos ellenőrzés arra vonatkozóan, hogy a kazán alkalmas-e a rendelkezésre álló gázfajtával való üzemelésre. További részletes utasítások a csomagoláson és a készüléken lévő címkén találhatóak.
- b) annak gondos ellenőrzése, hogy a füstelvezető végződés huzatja megfelelő-e; nincs-e elzáródva, és hogy nincsenek-e más készülék füstgázai ugyanazon füstcsatornán át elvezetve, hacsak nem kifejezetten arra tervezték, hogy egynél több készülékből érkező füstgáz összegyűjtését végezze, a hatályos törvényeknek és rendelkezéseknek megfelelően.
- c) Annak gondos ellenőrzése, hogy abban az esetben, ha a füstöt már meglévő füstcsatornához csatlakoztatják, alapos tisztítás legyen elvégezve, nehogy abból maradék égéstermék kerülhessenek ki a kazán működése során és elzárják a füstcsatornát.

A készülék helyes üzemeltetésének biztosítására és a garancia érvényessége elvesztésének elkerülésére, ügyeljen az alábbi óvórendszabályokra:

1. Meleg víz áramkör:

1.1. Ha a víz keménysége nagyobb, mint 20 °F (1 °F = 10 mg kalcium karbonát/1 liter víz), akkor polifoszfát vagy hasonló kezelést kell végezni a hatályos rendelkezések betartásával.

1.2. A háztartási meleg vizes áramkört alaposan át kell öblíteni a készülék felszerelése után és annak használata előtt.

2. Fűtési áramkör

2.1. Új rendszer

A kazán felszerelése előtt a rendszert alaposan meg kell tisztítani, és át kell öblíteni a maradék menetvágási forgács, forrasztóanyag és az esetleges oldószerek eltávolítása céljából, alkalmas termékek használatával.

A fém, muanyag és gumi alkatrészek károsodásának elkerülésére csak semleges hatású, vagyis nem savas és nem lúgos, tisztítószereket használjon. A tisztításhoz ajánlott termékek:

SENTINEL X300 vagy X400 és FERNOX fűtőáramkör helyreállító. Ennek a terméknek a használatánál kövesse szigorúan a gyártó útmutatásait.

2.2. Meglévő rendszer

A kazán felszerelése előtt a rendszert alaposan meg kell tisztítani a maradék iszaptól és szennyeződésektől, és át kell öblíteni a 2.1 fejezetben ismertetett alkalmas termékek használatával.

A fém, muanyag és gumi alkatrészek károsodásának elkerülésére csak olyan semleges hatású, vagyis nem savas és nem lúgos, tisztítószereket használjon, mint a SENTINEL X100 és FERNOX fűtőáramkör védőszer. Ennek a terméknek a használatánál kövesse szigorúan a gyártó útmutatásait.

Ne feledje, hogy idegen anyag jelenléte a fűtési rendszerben károsan befolyásolja a kazán működését (pl. túlmelegedést és a hócserélő zajos működését okozza).

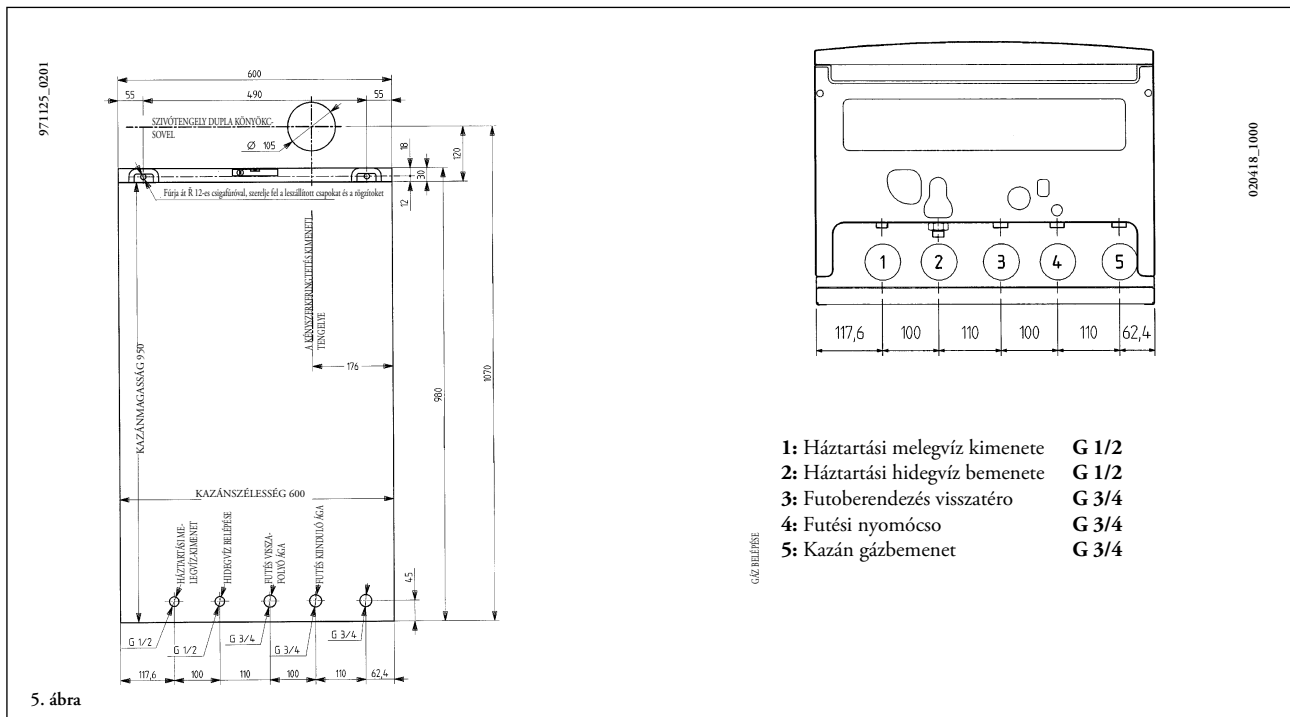
A fentiek betartásának elmulasztása a garancia elvesztését vonja maga után.

13. A KAZÁN FELSZERELÉSE

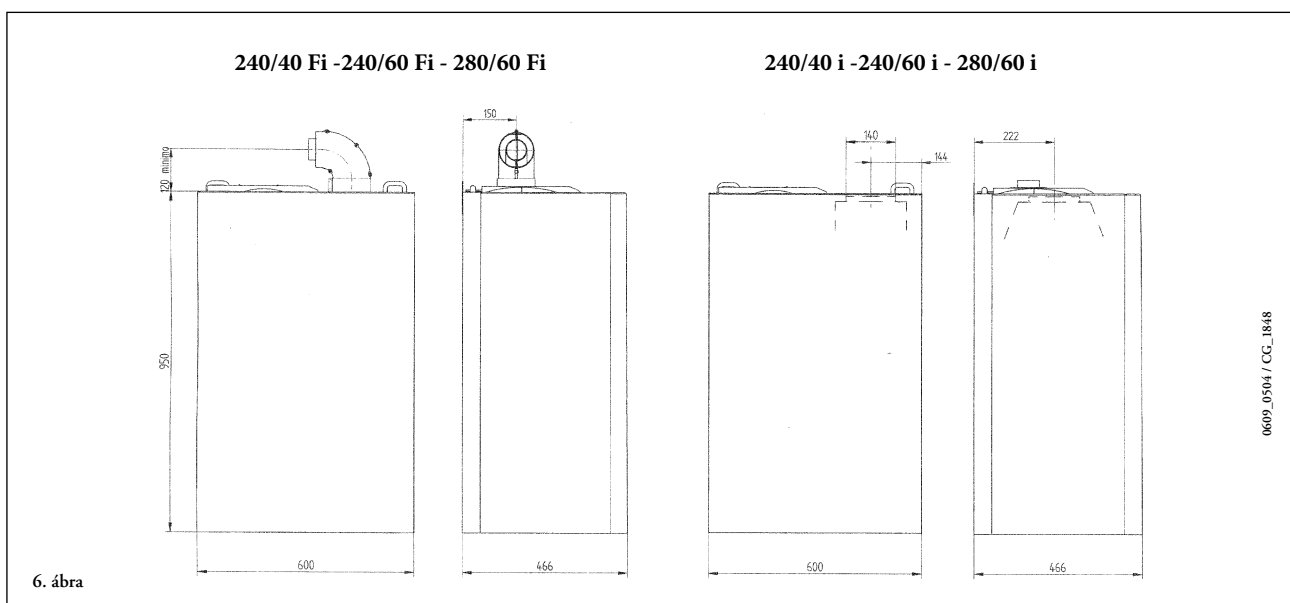
Határozza meg a kazán helyét, majd ragassza fel a sablont a falra. Csatlakoztassa a csövetékeket a sablon alsó sávjában előre elkészített gáz és víz bevezetésekhez. Javasoljuk két G3/4 méretű elzárócsap felszerelését (igény esetén szállítjuk) a központi futási elfolyó és visszatérő csövetékekbe; ezek a csapok lehetővé teszik fontos műveletek elvégzését a rendszeren annak teljes leürítése nélkül. Ha Ön a kazánt akár már meglévő rendszeren vagy annak lecserélésére szereli fel, javasoljuk, hogy szereljen fel egy ülepítő tartályt is a rendszer visszatérő csövetékeiben és a kazán alá a lerakódások és a vízkeletkezésére, ami visszamaradhat és cirkulálhat a rendszerben a tisztítás után.

Amikor a kazán rögzítve van a sablonon, csatlakoztassa a füst és levegő csatornákat (a gyártó által szállított szerelvények) az alábbi fejezetekben adott utasításoknak megfelelően.

A **240 i - 280 i** modell szerelésénél (kazán természetes huzattal), készítse el a csatlakozást a kéményhez olyan fémcsovel, ami hosszú időre ellenállást biztosít a normál mechanikus igénybevételekkel, a hovel és az égéstermék hatásával valamint az általuk képzett bármely lecsapódással szemben.



14. A KAZÁN MÉRETE

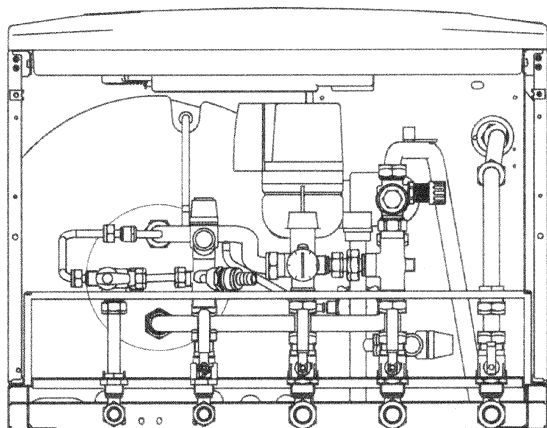


15. TARTOZÉKKÉNT SZÁLLÍTOTT KÉSZLET

- Gázcsap (1)
- Teleszkópos csatlakozó
- Vízbekvezető csap (2)
- 12 mm-es tiplik és horgok
- Vízhatlan tömítések

BOYLER DIGIT 240/40 i -240/40 Fi

0804_1101 / CG_2061



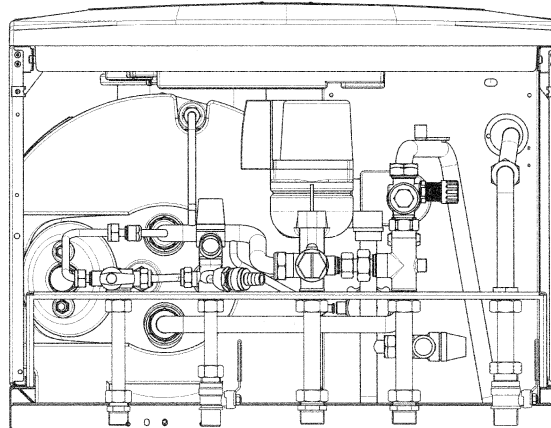
7. ábra

2

1

BOYLER DIGIT 240/60 i -240/60 Fi - 280/60 i - 280/60 Fi

0702_1202 / CG_1892



2

1

16. A FÜST ÉS LEVEGO VEZETÉKEK FELSZERELÉSE

A leszállított szerelvényeknek és rögzítőknek köszönhetően (amelyeket az alábbiakban ismertetünk), garantáljuk a gázfűtésű, mesterséges huzatú kazán könnyű és rugalmas telepítését.

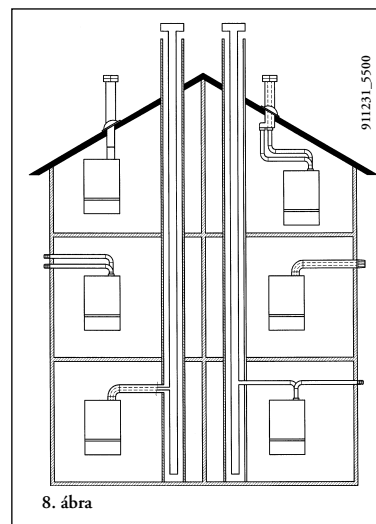
A kazánt speciálisan terveztük elszívó kémény / légcsatorna csatlakozásra, akár koaxiális, függőleges vagy vízszintes végzodással. Egy elosztókészlet segítségével kétszöves rendszer is kialakítható.

A telepítéshez kizárólag a gyártó által szállított szerelvényeket használja.

KOAXIÁLIS KÉMÉNY - LEVEGOCSATORNA (KONCENTRIKUS)

Ez a fajta vezeték lehetővé teszi a kiáramló gázok elvezetését és az égési levegő beszívását az épületen belüli és LAS kémény felszerelése esetén is.

A 90°-os koaxiális könyök lehetővé teszi a kazán csatlakoztatását a kémény-légvezetékhez bármely irányban, mivel az 360°-ban elforgatható. Ez felhasználható továbbá kiegészítő könyökként és összeköthető koaxiális vezetékkel vagy egy 45°-os könyökkel.

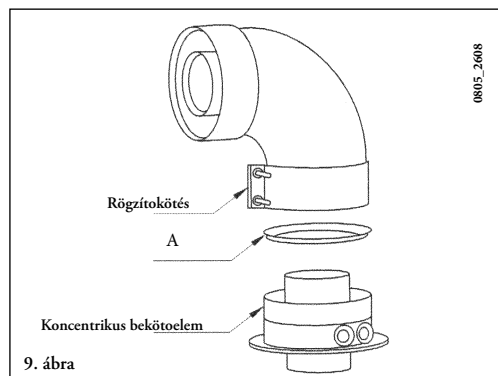


911231_5500

8. ábra

FIGYELMEZTETÉS

A fokozott működési biztonság elérése érdekében a füstelvezető csöveket a megfelelő rögzítő bilincsekkel erősen a falra kell rögzíteni.



0805_2608

9. ábra

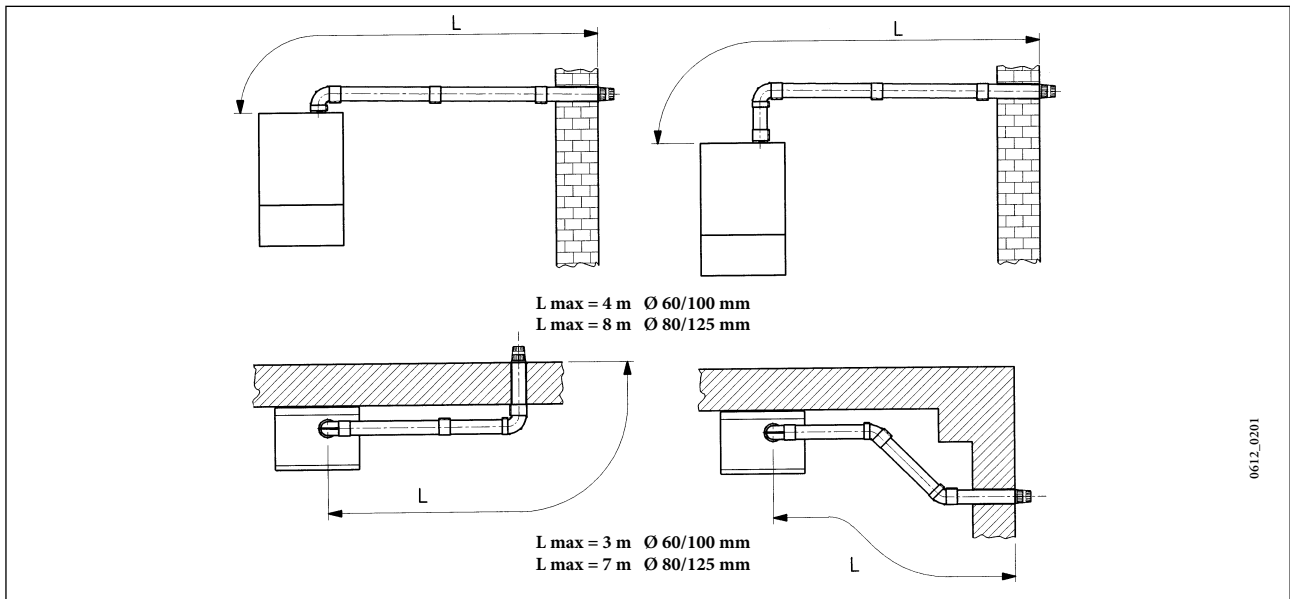
Kazán modell	HOSSZ MAX. (m)	MEMBRÁN LESZÍVÁS (A) (mm)
BOYLER DIGIT 240/40 Fi - 240/60 Fi	0,5	73
	0,5 ÷ 2	80
	2 ÷ 4	NO
BOYLER DIGIT 280/60 Fi	0 ÷ 1	76
	1 ÷ 4	NO

Ha a kéménykivezetés kívül van elhelyezve, akkor a kémény-levegő vezetéknek legalább 18 mm-re ki kell állni a falból, hogy lehetőség legyen vízvetos csempe felszerelésére és tömítésére, a vízbeszivárgások elkerülésére.

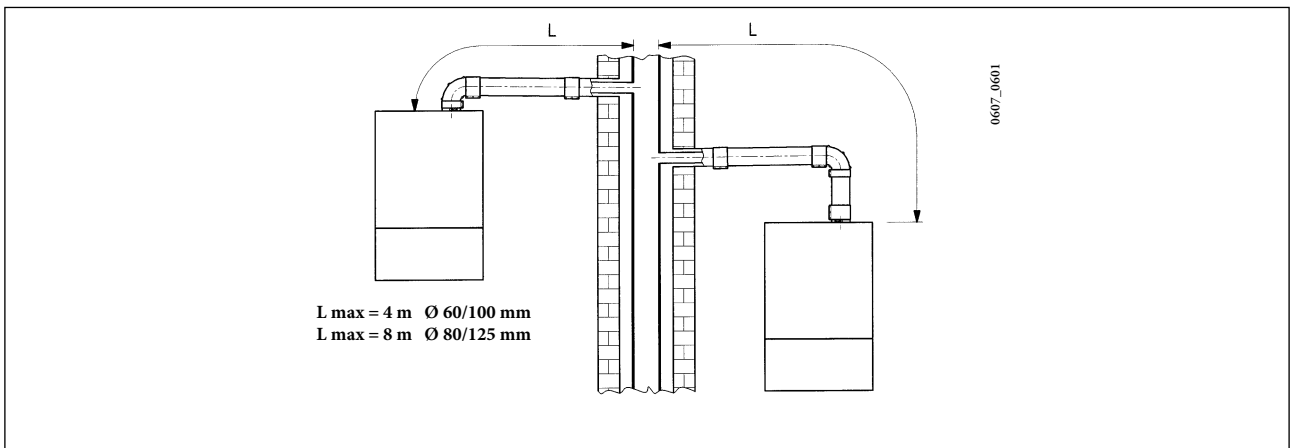
Biztosítson méterenként minimum 1 cm lefelé lejtést kifelé a vezeték hosszában.

- A 90°-os könyök a teljes vezeték hosszát 1 méterrel csökkenti.
- A 45°-os könyök a teljes vezeték hosszát 0,5 méterrel csökkenti.

16.1 VÍZSZINTES KÉMÉNYVÉGZODÉS-SZERELÉSI OPCIÓK

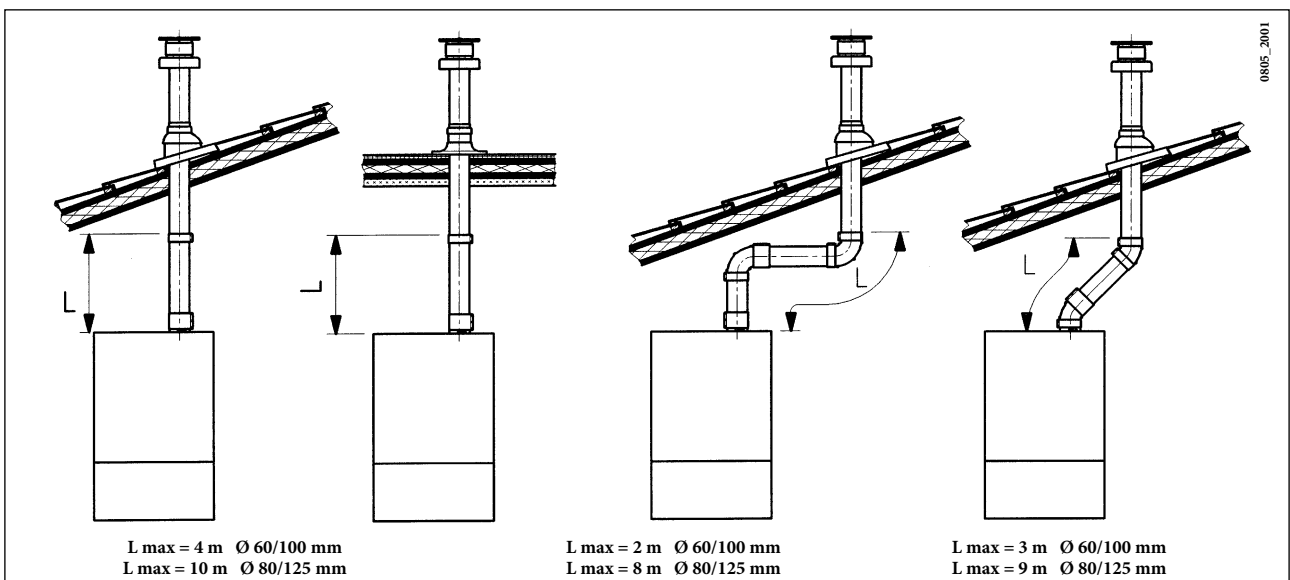


16.2 LAS KÉMÉNYVEZETÉK-SZERELÉSI OPCIÓK



16.3 FÜGGOLEGES KÉMÉNYVÉGZODÉS-SZERELÉSI OPCIÓK

Ez a telepítési fajta kivitelezhető akár lapos tetőn vagy nyeregtetőn egy végződés, megfelelő vízvető csempe és hüvely felszerelésével (igény esetén szállított kiegészítő szerelvények).



A szerelvények felszerelésére vonatkozó részletes utasítások a szerelvényeket kísérő muszaki adatoknál található.

ELKÜLÖNÍTETT KÉMÉNY - LEVEGO-CSOVEZETÉK

Ez a fajta vezetékezés lehetővé teszi a kilépo füstgázok elvezetését az épületen kívül és egyedüli kéményvezetékbe..

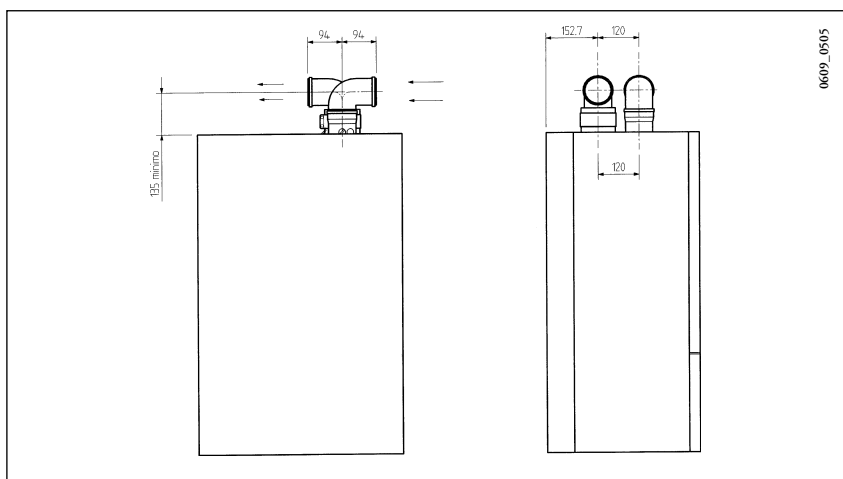
Az égési levego beszívása történhet más helyrol, mint ahol a kéményvégződés található.

Az elosztókészlet tartalmaz egy kéményvezeték-adaptert (100/80) és egy levegovezeték-adaptert.

A levegovezeték-adapterhez szerelje fel a csavarokat és tömitéseket, mielőtt a sapkát eltávolítaná.

A szukítot az alábbi esetekben kell eltávolítani

A 90°-os könyök lehetővé teszi a kazán csatlakoztatását a kémény-légvezetékhez bármely irányban, mivel az 360o-ban elforgatható. Ez felhasználható továbbá a vezetékkel vagy egy 45o-os könyökkel összekötendo kiegészítő könyökként.



- **A 90°-os könyök a teljes vezetékosszt 0,5 méterrel csökkenti.**
- **A 45°-os könyök a teljes vezetékosszt 0,25 méterrel csökkenti.**

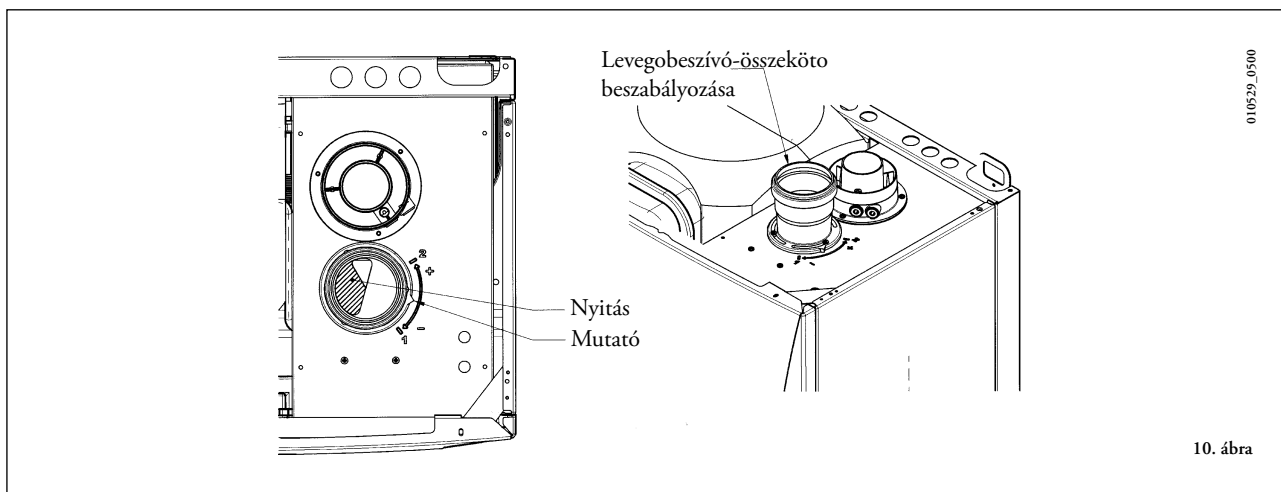
Elosztott kémény-levegoszabályozó beállítása

Ennek a szabályozásnak a beállítása a teljesítmény és az égési paraméterek optimalizálásához szükséges. A levegobeszívó-összeköto forgatható a felesleges levegonek a kémény teljes hosszához és a beszívó vezetékeknek az égési levegohöz megfelelo beszabályozásához.

Forgassa a szabályozót a többlet égési levego növeléséhez vagy csökkentéséhez (9. ábra):

Az optimalizálás javítására használhat egy égéstermék-elemzo készüléket a füst CO₂ tartalmának mérésére a maximum hoteljesítménynél, a levego fokozatos szabályozásával az alábbi táblázatban szereplo CO₂ eléréséhez, ha az elemzés kisebb értéket mutat.

Ennek az eszköznek a helyes felszerelésére vonatkozó utasítások szintén a szerelvényt kísérő muszaki adatoknál található.



	HOSSZ MAX	REGISZTER POZÍCIÓ	CO2%		
	L1+L2 (m)	AFR	G20	G30	G31
240/40 Fi - 240/60 Fi	0 ÷ 20	1	6,7	8,7	8,7
	20 ÷ 30	2			
280/60 Fi	0 ÷ 20	1	6,0	8,0	8,0
	20 ÷ 30	2			

MEGJEGYZÉS: A C52 típusokhoz az égésilevegő-szívó és az égéstermék-elvezető csatlakozásokat soha nem szabad az épület szemközti falaira szerelni. A szívó vezeték maximum hossza 10 méter lehet (6 méter - Nuvola 3 140 Fi).

Ha a füstvezeték meghaladja az 6 métert, akkor a (tartozékként szállított) kondenzátumgyűjtő-készletet a kazánhoz közel kell felszerelni.

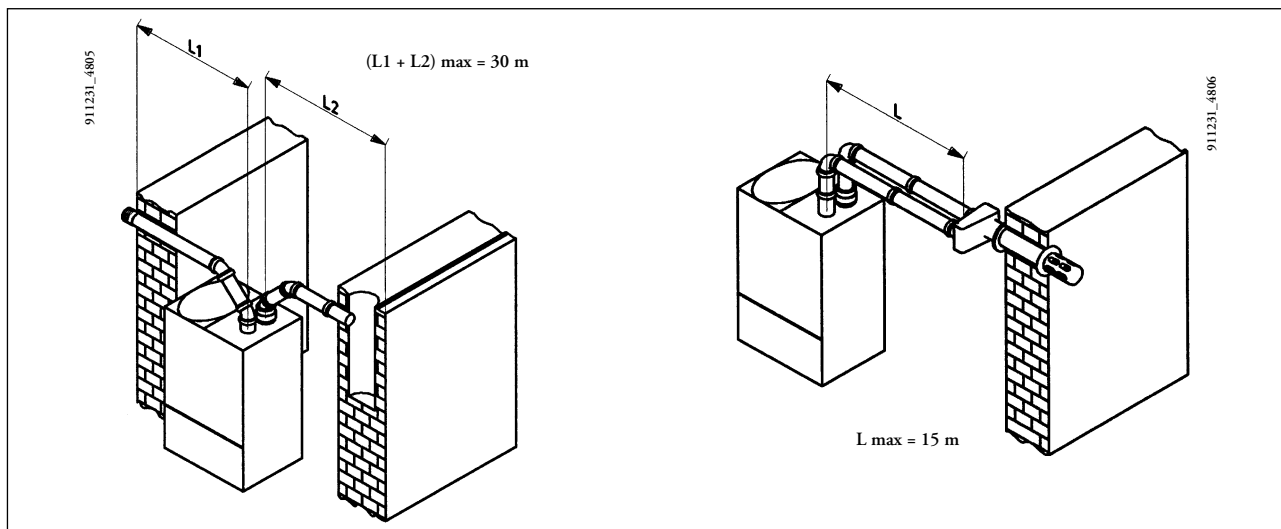
FONTOS: Egyedüli kilépo füstvezeték szerelése esetén biztosítson megfelelő szigetelést (például üvegyapottal), ahol a vezeték áthalad az épület falain.

A szerelvények felszerelésére vonatkozó részletes utasítások a szerelvényeket kísérő muszaki adatoknál található.

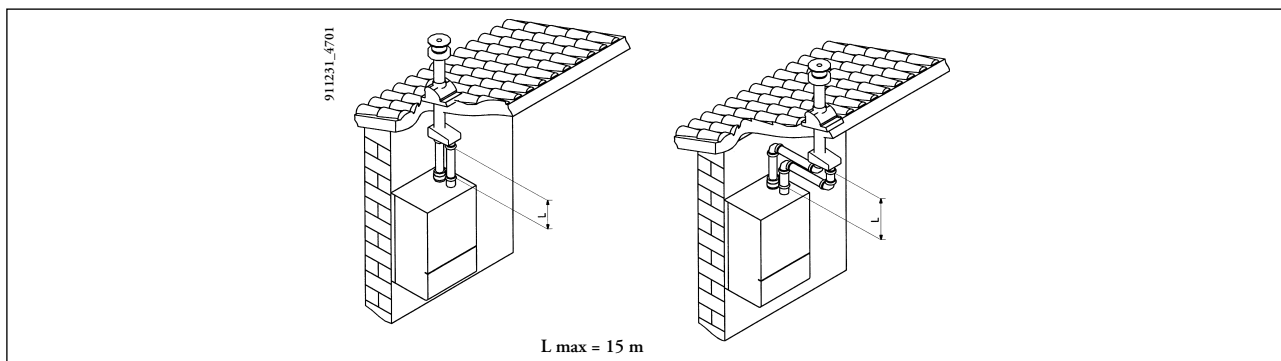
16.4 ELKÜLÖNÍTETT VÍZSZINTES KÉMÉNYVÉGZODÉS SZERELÉSI OPCIÓI

FONTOS: Biztosítson méterenként minimum 1 cm lefelé lejtést kifelé a vezeték hosszában.

Kondenzátumgyűjtő készlet felszerelése esetén az ürítővezeték lejtési szögét a kazán felé kell irányítani.



16.5 ELKÜLÖNÍTETT FÜGGŐLEGES KÉMÉNYVÉGZODÉS SZERELÉSI OPCIÓI



17. A HÁLÓZATI ÁRAMELLÁTÁS CSATLAKOZTATÁSA

A készülék elektromos biztonsága csak az alkalmazható törvényeknek és rendelkezéseknek megfelelően elkészített helyes földelés esetén biztosítható.

Csatlakoztassa a kazánt 230 V-os egyfázis + föld rendszerű hálózathoz a vele együtt szállított háromérintkezős csatlakozójú kábellel, és ellenőrizze a polaritások bekötésének helyességét.

Használjon kétpólusú kapcsolót legalább 3 mm-es érintkező eltávolításával mindkét pólusban.

A hálózati csatlakozókábel kicserélése esetén szereljen fel maximum 8 mm átméretű HAR H05 VV-F' 3x0.75mm²-es kábelt.

Hozzáférés a hálózati csatlakozó kapcsolójához

- Válassza le a kazán elektromos áramellátását a kétpólusú kapcsolóval;
- Csavarja ki a kezelotáblát a kazánhoz rögzítő két csavart;
- Fordítsa ki a kezelotáblát;
- Csavarja le a fedelet, és nyerjen hozzáférést a huzalozáshoz (10. ábra).

A hálózati csatlakozó kapcsolóján egy 2A-es gyorsműködésű biztosíték található (a biztosíték ellenőrzéséhez vagy cseréjéhez húzza ki a fekete biztosítéktartót).

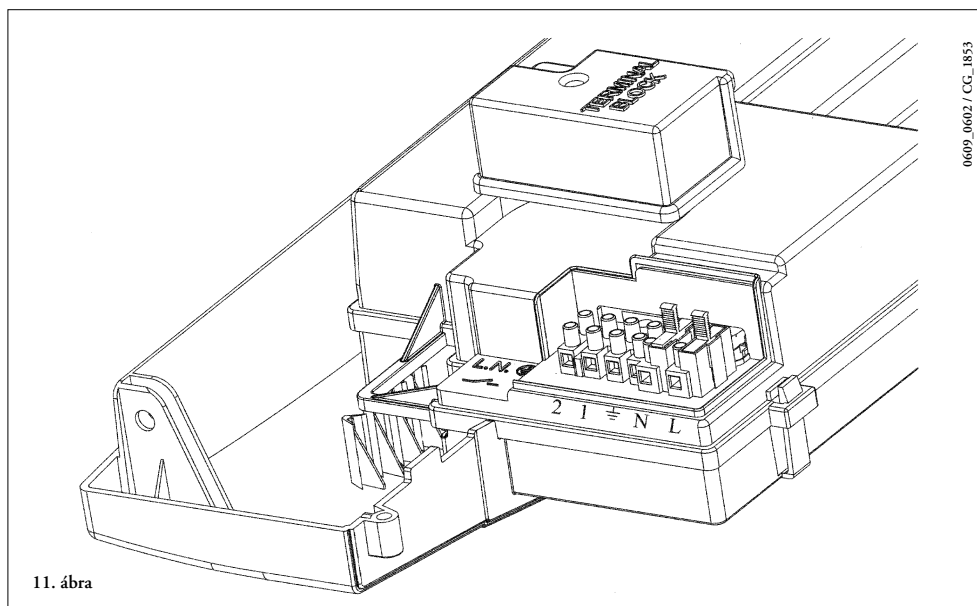
FONTOS: Ellenőrizze a polaritások csatlakoztatásának helyességét **L** (fázis) **N** (nullavezeték)

(L) = **Fázis** (barna)

(N) = **Nullavezeték** (kék)

(⊕) = **Föld** (sárga/zöld)

(1) (2) = **Szobai hofokszabályozó**



FIGYELMEZTETÉS

Amennyiben a berendezés közvetlenül padlóberendezésre van kötve, a felszerelést végző szakembernek gondoskodnia kell egy védő termosztatról a padlóberendezés túlhevülés elleni védelméhez.

18. SZOBATERMOSZTÁT BEKÖTÉSE

- az előző fejezetben leírt módon lehet hozzáférni a betáplálási kapcsolóhoz (11. ábra);
- szüntesse meg az (1) és (2) kapcsok közötti áthidalást;
- a kéteres vezetékbe vezesse be a vezetékleszorítón keresztül, és kösse be ebbe a két kapocsba.

19. GÁZVÁLTÁSI MÓDOZATOK

Personalul calificat poate adapta aceasta centrala pentru a functiona cu gaz natural (G. 20) sau cu gaz lichid (G. 31).

A kazánnak földgázzal **történo üzemeltetéséhez a beállításokat Képesített Szervizmérnök végezheti.**

A nyomásszabályozó hitelesítési eljárása változhat a felszerelt gázszelep típusától függően (HONEYWELL vagy SIT; lásd a 13. ábrát).

Végezze el az alábbi muveleteket az adott sorrendben:

A) A fo égo fúvókáinak kicserélése

- Óvatosan húzza ki a fo égot a fészkből;
- Cserélje ki a fo égo fúvókáit, és ellenorizze, hogy jól meghúztá-e azokat a szivárgás elkerülésére. A fúvókák átméroit az 1. táblázat tartalmazza.

A membrán fúvóka cseréjének módozata (240B40 i és 240B40Fi modellekhez)

- távolítsa el a gáz tápcsövet (12b ábra 1);
- cserélje ki a gázszelepre (2) szerelt membrán fúvókát;
- szerelje vissza a gáz tápcsövet.

B) A modulátorfeszültség megváltoztatása


- állítsa be az **F02** paramétert a gáztípus alapján a 20. fejezetben leírt módon.

C) A nyomásszabályozó eszköz beállítása

- Csatlakoztassa egy differenciális (lehetőleg vízzel működő) nyomásmérom pozitív mérőpontját a gázszelep nyomásmérom pontjához (**Pb**) (13. ábra); Csatlakoztassa, csak zártkamrás modelleknél, a nyomásmérom negatív nyomás mérőpontját egy "T" idomhoz, a kazán beszabályozó kivezetésének, a gázszelep beszabályozó kivezetésének (**Pc**) és a nyomásmérőnek a csatlakoztatása céljára. (Ugyanez a mérés elvégezhető a nyomásmérőnek a nyomás mérőponthoz (**Pb**) csatlakoztatásával is, a zárt kamrának az elolapról való levétele után);

Ha Ön az égok nyomásának mérését más módon végzi, akkor megváltozott eredményt kaphat, mivel a ventilátor által a zárt kamrában létrehozott kis nyomást nem veszi figyelembe.

C1) A névleges hotelijesítmény beszabályozása

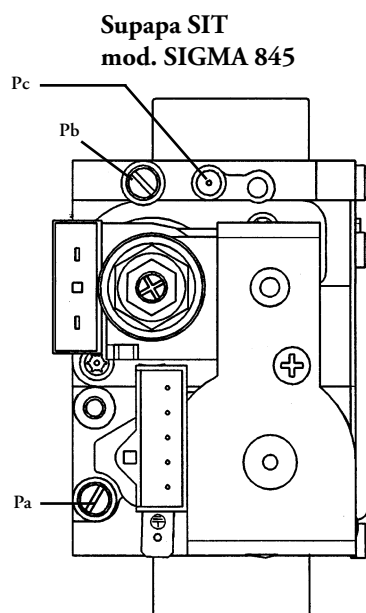
- Nyissa ki a gázcsapot;
- Nyomja meg a  gombot (1. ábra), és állítsa a kazánt téli üzemmódra;
- Nyissa ki a melegvízcsapot, hogy elérjen minimum **10 l/perc** áramlási sebességet, vagy gyozodjon meg arról, hogy a maximum futési követelmények vannak-e beállítva;
- Ellenorizze, hogy helyes-e a kazántáplálás dinamikus nyomása a bevezeto gázszelep mérőpontjánál mérve (**Pa**) (13. ábra) (**30 mbar PB** bután **G30** gázhoz - **PB** gázhoz **G31** és **25 mbar G20-G25.1** földgázhoz);
- Vegye le a modulátor burkolatát;
- Szabályozza be a cso sárgaréz csavarját (**a**), 14 ábra, hogy az 1. táblázatban látható nyomásértékeket nyerje;

C2) A csökkentett hotelijesítmény beszabályozása

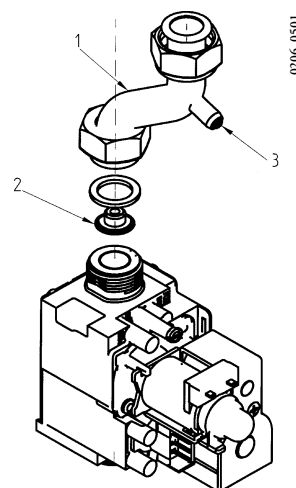
- Válassza le a modulátor tápkábelét, és csavarja ki a 14 ábrán látható (**b**) jelu csavart, hogy elérje a csökkentett hotelijesítménynek megfelelő nyomás beállítást (lásd 1. táblázat);
- Kösse vissza újra a kábelt;
- Szerelje fel a modulátor burkolatát, és tömítsen;

C3) Végso ellenorzések

- Helyezze fel a kiegészito adattáblát az alkalmazott gáz típusának és a beállításoknak a feltüntetésével;



12a ábra



12b ábra 240/40 i - 240/60 i - 240/40 Fi e 240/60 Fi modellek)

Az égonyomások táblázata

Alkalmazott gáz	240/40 i - 240/60 i				240/40 Fi - 240/60 Fi			
	G20	G25.1	G30	G31	G20	G25.1	G30	G31
Fűvókaátméno (mm)	1,18	1,3	0,69	0,69	1,18	1,3	0,69	0,69
Égonyomás (mbar*)								
CSÖKKENTETT HOTELJESÍTMÉNY (mbar)	1,6	2,1	3,9	6,9	1,6	2,3	3,9	6,9
Égonyomás (mbar*)								
NÉVLEGES HOTELJESÍTMÉNY (mbar)	7,7	10	19,8	25,6	8,1	10,5	20,6	26,3
1 sz. rekesz átmérője	4,5	-	3,5	3,5	4,5	-	3,5	3,5
Fűvókák száma	18							

* 1 mbar = 10,197 mm H₂O

1. táblázat

Alkalmazott gáz	280/60 i				280/60 Fi			
	G20	G25.1	G30	G31	G20	G25.1	G30	G31
Fűvókaátméno (mm)	1,18	1,3	0,69	0,69	1,18	1,3	0,69	0,69
Égonyomás (mbar*)								
CSÖKKENTETT HOTELJESÍTMÉNY (mbar)	1,6	2,1	3,8	5,7	1,7	2,3	4,3	5,9
Égonyomás (mbar*)								
NÉVLEGES HOTELJESÍTMÉNY (mbar)	10,3	12,7	27,6	35,4	10,6	13,2	28,1	35,6
1 sz. rekesz átmérője	-	-	-	-	-	-	-	-
Fűvókák száma	18							

* 1 mbar = 10,197 mm H₂O

1. táblázat

Fogyasztási táblázat

Gázfogyasztás 15 oC és 1013 mbar esetén	240/40 i - 240/60 i			
	G20	G25.1	G30	G31
NÉVLEGES HOTELJESÍTMÉNY	2,87 m ³ /h	3,33 m ³ /h	2,14 Kg/h	2,11 Kg/h
CSÖKKENTETT HOTELJESÍTMÉNY	1,26 m ³ /h	1,46 m ³ /h	0,94 Kg/h	0,92 Kg/h
p.c.i.	34,02 MJ/m ³	29,30 MJ/m ³	45,60 MJ/Kg	46,30 MJ/Kg

2. táblázat

Gázfogyasztás 15 oC és 1013 mbar esetén	280/60 i			
	G20	G25.1	G30	G31
NÉVLEGES HOTELJESÍTMÉNY	3,29 m ³ /h	3,82 m ³ /h	2,45 Kg/h	2,42 Kg/h
CSÖKKENTETT HOTELJESÍTMÉNY	1,26 m ³ /h	1,46 m ³ /h	0,94 Kg/h	0,92 Kg/h
p.c.i.	34,02 MJ/m ³	29,30 MJ/m ³	45,60 MJ/Kg	46,30 MJ/Kg

2. táblázat

Gázfogyasztás 15 oC és 1013 mbar esetén	240/40 Fi - 240/60 Fi			
	G20	G25.1	G30	G31
NÉVLEGES HOTELJESÍTMÉNY	2,78 m ³ /h	3,23 m ³ /h	2,07 Kg/h	2,04 Kg/h
CSÖKKENTETT HOTELJESÍTMÉNY	1,26 m ³ /h	1,46 m ³ /h	0,94 Kg/h	0,92 Kg/h
p.c.i.	34,02 MJ/m ³	29,30 MJ/m ³	45,60 MJ/Kg	46,30 MJ/Kg

2. táblázat

Gázfogyasztás 15 oC és 1013 mbar esetén	280/60 Fi			
	G20	G25.1	G30	G31
NÉVLEGES HOTELJESÍTMÉNY	3,18 m ³ /h	3,70 m ³ /h	2,37 Kg/h	2,34 Kg/h
CSÖKKENTETT HOTELJESÍTMÉNY	1,26 m ³ /h	1,46 m ³ /h	0,94 Kg/h	0,92 Kg/h
p.c.i.	34,02 MJ/m ³	29,30 MJ/m ³	45,60 MJ/Kg	46,30 MJ/Kg

2. táblázat

20. INFORMÁCIÓK MEGJELENÍTÉSE

20.1 KIJELEZŐBEKAPCSOLÁSI INFORMÁCIÓK

A bekapcsolás helyes műveleti sorrendjének betartásához az alábbiak szerint járjon el:

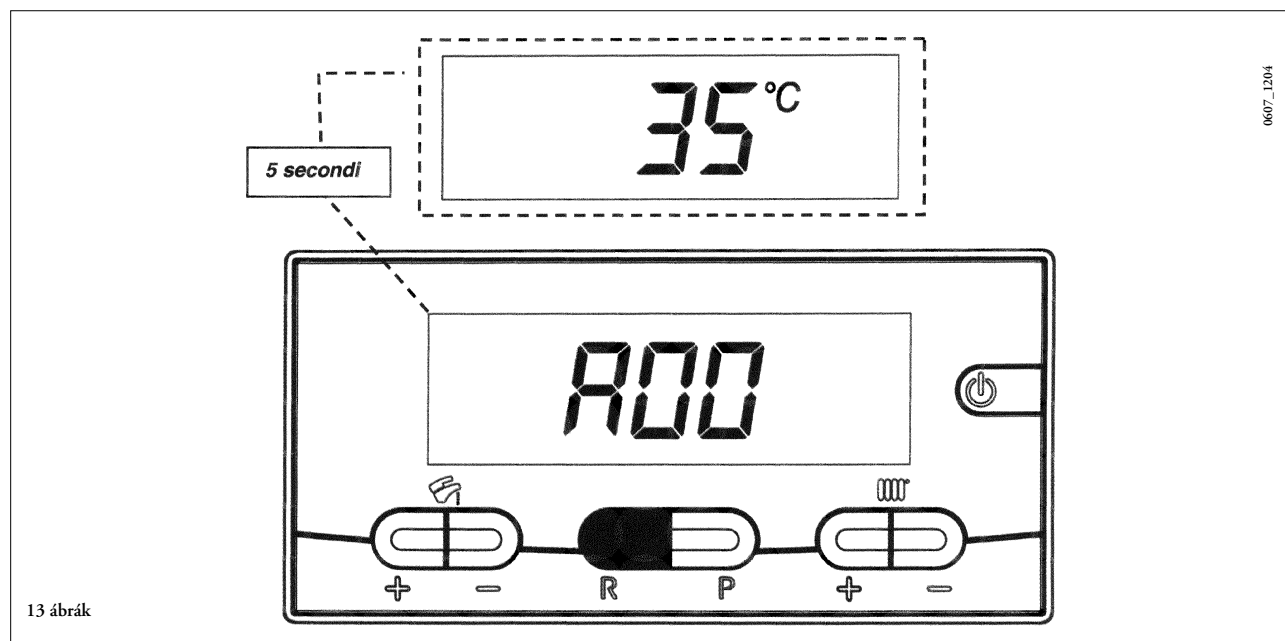
- Helyezze áram alá a kazánt.
Amikor a kazán kap elektromos betáplálást, kb. az első 10 másodpercben a kijelzőn az alábbi információk jelennek meg:
 - minden szimbólum világít;
 - gyártó információk;
 - gyártó információk;
 - gyártó információk;
 - kazán és gáztípus (pl. $\square \cap$).
A megjelenő betűk jelentése a következő:

\square = nyitott kamrás kazán	\square = hermetikus kamrás kazán;
\cap = használt gáz <u>FÖLDGÁZ</u>	\sqcup = használt gáz <u>LPG</u> .
 - hidraulikus kör beállítása;
 - szoftver változat (két szám x.x);
- Nyissa ki a gázcsapot;
- A 3.2 bekezdésben leírt módon tartsa lenyomva a ⏻ gombot (kb. 2 másodpercig) a kazán működési állapotának beállításához.

20.2 MŰKÖDÉSI INFORMÁCIÓK

Az alábbiak szerint tud a kijelzőn a kazán működésére vonatkozó információkat megjeleníteni:

- Tartsa lenyomva a ⏻ gombot kb. 6 másodpercig. Amikor a funkció aktív, a kijelzőn megjelenik az "A00" (... "A07") felirat, ami a megfelelő értékkel változik (13. ábra);



- A +/- HMV hőmérséklet-beállító gombokkal (☞) tudja megjeleníteni az alábbi információkat:

A00: használati melegvíz (HMV) hőmérsékletének (°C) pillanatnyi értéke;
A01: külső hőmérséklet (°C) pillanatnyi értéke (ha be van kötve külső szonda);
A02: modulációs áram értéke (%) (100% = 230 mA METÁN - 100% = 310 mA LPG);
A03: teljesítmény tartomány értéke (%) (MAX R) - F13 paraméter (21. bekezdés);
A04: fűtési hőmérséklet alapérték (°C);
A05: fűtés előremenő hőmérséklet pillanatnyi értéke (°C);
A06: Nincs használva;
A07: lángjelzés értéke (%) (8-100%).

MEGJEGYZÉS: az A08 és A09 sorok nincsenek használatban.

- Ez a funkció 3 percig marad aktív. A ☺ gomb megnyomásával korábban meg lehet szakítani az "INFO" funkciót .

20.3 RENDELLENESÉGEK MEGJELENÍTÉSE

MEGJEGYZÉS: 5 helyreállítási próbát lehet elvégezni, ezután a kazán leblokkol. Újabb helyreállítási próbálkozáshoz az alábbiak szerint járjon el:

- nyomja le a ☺ gombot A NYÁRI állásban. a 3.2 bekezdésben leírt;
- nyomja le a R gombot kb. 2 másodpercig, a kijelzőn megjelenik az "OFF" felirat;
- Módon állítsa helyre a kazán működését

A 9. bekezdésben található meg a rendellenesség kódok.


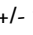
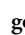
20.4 KIEGÉSZÍTŐ INFORMÁCIÓK

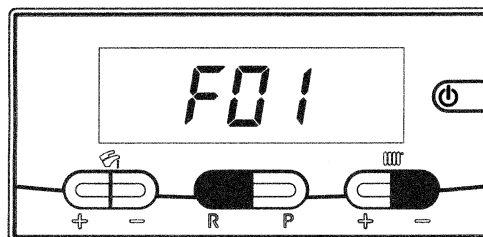
A műszaki információk teljessé tételéhez olvassa el a "SERVICE UTASÍTÁSOK" dokumentumot is.

21. PARAMÉTEREK BEÁLLÍTÁSA

A kazán paramétereinek beállításához egyidejűleg legalább 6 másodpercig tartsa lenyomva az R és - (0000) gombokat. Amikor a funkció aktív, a kijelzőn megjelenik az "F01" felirat, ami váltakozik a megjelenített paraméter értékével.

Paraméterek módosítása

- A paraméterek futtatásához nyomja meg a +/-  gombokat;
- Egy paraméter módosításához nyomja meg a +/-  gombokat;
- Az érték elmentéséhez nyomja le a P gombot, a kijelzőn megjelenik a "MEM" felirat;
- A funkcióból mentés nélküli kilépéshez nyomja le a  gombot, a kijelzőn megjelenik az "ESC" felirat.



0704_1701

	A paraméter leírásának megnevezése	Alapértelmezési érték			
		240/40 Fi - 240/60 Fi	240/40 i - 240/60 i	280/60 i	280/60 Fi
F01	A gázkazán típusa 10 = zárt kamrás - 20 = atmoszférikus kamrás	10	20	20	10
F02	A gáz típusa 00 = földgáz (metán) - 01 = PB	00 o 01			
F03	Vízrendszer	06			
F04	1 programozható relé beállítása (02 = zóna berendezés - Lásd a Service utasítást)	02			
F05	2 programozható relé beállítása (Lásd a Service utasítást)	04			
F06	Külso érzékelő beállítása (Vedere istruzioni Service).	00			
F07..F12	Gyártó információk	00			
F13	CH max. futési teljesítmény (0-100%)	100			
F14	D.H.W. max. futési teljesítmény (0-100%)	100			
F15	CH min. futési teljesítmény (0-100%)	00			
F16	Maximum hőmérsékleti alapérték beállítása (setpoint) 00 = 85°C - 01 = 45°C	00			
F17	Szivattyú továbbfutási idő (perc) (01-240 perc)	03			
F18	Minimum égo szünet (perc) központi futési üzemmódban (00-10 perc) - 00=10 másodperc	03			
F19	Gyártó információk	07			
F20	Gyártó információk	00			
F21	Légiósbetegség mentes funkció 00 = Kikapva - 01 = Aktiválva	00			
F22	Gyártó információk	00			
F23	Használati melegvíz maximális alapérték (HMV)	65			
F24	Gyártó információk	35			
F25	Víz hiány ellen védo készülék	01			
F26..F29	Gyártó információk (csak olvasható paraméterek)	--			
F30	Gyártó információk	10			
F31	Gyártó információk	00			
F32..F41	Diagnosztika (Lásd a Service utasítást)	--			
Utolsó paraméter	Beállítási funkció aktiválása (Lásd a Service utasítást)	0			

FIGYELEM: Ne változtassa a "Gyártó információk" paraméterek értékét.

22. ELLENORZO ÉS MUKÖDTETO ESZKÖZÖK

A kazánt az Európai referencia szabványoknak teljesen megfeleloen terveztük és felszereltük az alábbi eszközökkel:

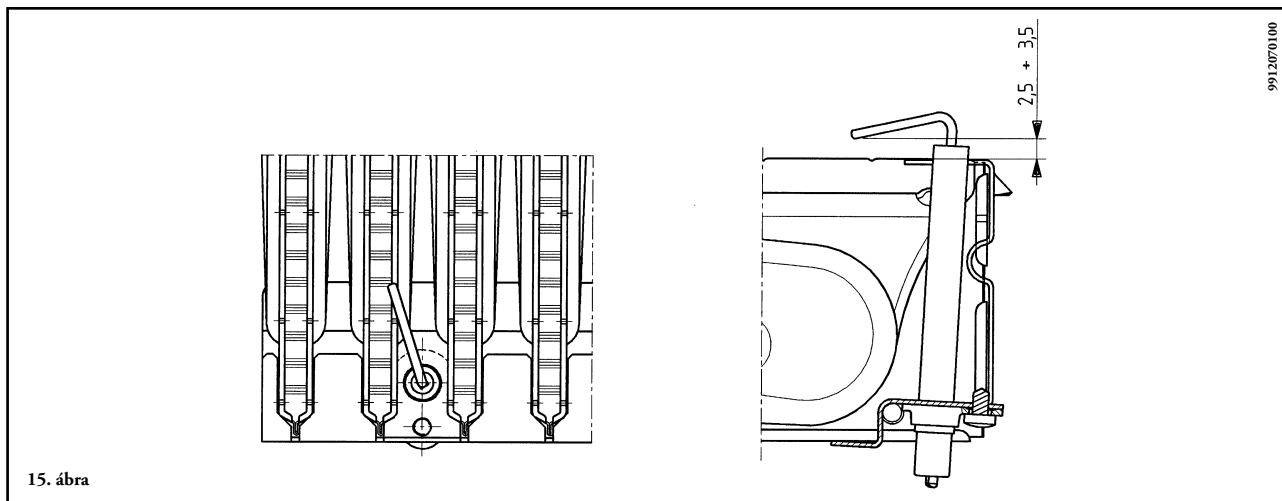
- **Levego nyomáskapcsoló a mesterséges huzatú modellhez (240/40 Fi, 240/60 Fi, 280/60 Fi)**
Ez a kapcsoló (20. ábra - 17 jelu tétel) lehetővé teszi az égo bekapcsolását azzal a feltétellel, hogy az elszívó füstvezeték hatékonysága tökéletes. Az alábbi hibák egyikének fellépése esetén, ha:
 - a kéményvégzodés elzáródott;
 - a Venturi elzáródott;
 - a ventilátor elakadt;
 - a kapcsolat a Venturi és a levego nyomáskapcsoló között megszakadt;a kazán készenléti állapotban marad, és a kijelzon a 03E hibakód látható (lásd a 9. fejezetben).
- **Kémény-hofokszabályozó természetes huzatú kazánhoz (240/40 i, 240/60 i, 280/60 i)**
Ehhez az eszközöz (21. ábra - 15 jelu tétel) érzékelo van elhelyezve a füstelszívó ernyo bal oldali részén, és ez lezárja a gáz áramlását az égöhöz, ha a füstvezeték elzárul, vagy a huzat meghibásodik.
Ilyen körülmények mellett a kazán blokkolva marad, és a kijelzon a 03E hibakód látható (lásd a 9. fejezetben).
A fo égo azonnali újragyújtásához, lásd 9. fejezet.
- **Túlmelegedés biztonsági hofokszabályozó**
A futési áramba helyezett érzékelonak, ez a hofokszabályozója megszakítja a gáz áramlását az égöhöz abban az esetben, ha a primer áramkörben lévo víz túlmelegedett. Ilyen körülmények mellett a kazán blokkolódik, és az újragyújtása csak a rendellenesség megszüntetése után lehetséges.
A normál üzemi feltételek helyreállításához (RESET) lásd 9. fejezet.

Ennek a biztonsági eszköznek a kiiktatása tilos.

- **Lángionizáció-érzékelo**
Az égo jobb oldalán elhelyezett lángérzékelo elektróda garantálja a biztonságos muködést gázkimaradás vagy az égo hiányos égése esetén. Ilyen körülmények esetén a kazán blokkolódik.
A normál üzemi feltételek helyreállításához (RESET) lásd 9. fejezet.
- **Hidraulikus nyomásérzékelo**
Ez az eszköz (20/21. ábra - 3 jelu tétel) lehetővé teszi, hogy a fo égot csak akkor lehessen bekapcsolni, ha a rendszer nyomása 0,5 bar feletti.
- **Szivattyú-túlfuttatás a központi futési áramköröz**
Az szivattyú elektronikusan vezérelt kiegészítő futtatása 3 percig tart (F17 - 20. fejezet), amikor a kazán központi futési üzemmódban van, miután az égot a szobai hofokszabályozó vagy más beavatkozás kikapcsolta.
- **Szivattyú-túlfuttatás a háztartási meleg víz áramköröz**
Az elektronikus vezérlőrendszer a szivattyút 30 másodpercig tartja muködésben a háztartási meleg víz üzemmódban, miután a D.H.W. érzékelo az égot kikapcsolta.
- **Fagyvédó eszköz (központi futési és háztartási melegvíz-rendszerek)**
A kazának elektronikus vezérlése tartalmaz egy "fagyvédó" funkciót a központi futési rendszerben, ami muködésbe hozza az égot, hogy a futési áramlási homérséklete elérje a 30 oC értéket, amikor a futési áramlási homérséklet 5 oC alá csökken.
Ez a funkció akkor van engedélyezve, amikor a kazán össze van kapcsolva az elektromos ellátással, a gázellátás be van kapcsolva, és a rendszer nyomása az előírás szerinti.
- **Légiósbetegség mentes funkció**
A légiósbetegség mentes funkció NEM aktív.
A funkció aktiválásához állítsa be a következő paramétert: F21=01 (a 20. bekezdésben leírt módon). Amikor a funkció aktív a kazán elektronikus vezérlése, egy hetes idoközönként, a vízmelegítőben lévo vizet 60°C fölötti homérsékletre melegíti (a funkció csak akkor tud beindulni, ha a víz homérséklete a megelőzo 7 napban soha nem haladta meg a 60°C-ot).
- **Szivattyúblokkolás (leragadás) elleni funkció**
Abban az esetben, ha nincs szükség futásra, a szivattyú automatikusan elindul, és egy percig muködik a következő 24 órában.
Ez a funkció akkor muködik, amikor a kazán kap áramellátást.
- **Háromutas blokkolás elleni szelep**
Abban az esetben, ha nincs szükség egy 24 órás idoszakra, akkor a háromutas szelep teljes kommutálást végez.
Ez a funkció akkor muködik, amikor a kazán kap áramellátást.
- **Hidraulikus biztonsági szelep (futési áramkör)**
Ez az eszköz 3 bar nyomásra van beállítva, és a futési áramköröz használatuk.
- Hidraulikus biztonsági szelep (háztartási víz áramláskör)
Ez az eszköz 8 bar értékre van kalibrálva, s a háztartási víz áramláskört (vízforraló) szolgálja ki.

Ajánlott, szifonnal ellátott lefolyóval felszerelni a biztonsági szelepeket. E szelepeket tilos a futoáramkör és/vagy a háztartási víz áramláskör leengedésére alkalmazni.

23. A GYÚJTÓ ÉS LÁNGÉRZÉKELO ELEKTRODA ELHELYEZÉSE



15. ábra

24. AZ ÉGÉSI PARAMÉTEREK ELLENORZÉSE

A kazánnak két csatlakozási pontja van kimondottan arra tervezve, hogy lehetővé tegye a technikusok részére az égési hatások mérését a telepítés után és annak biztosítására, hogy az égéstermékek ne képezzenek egészségügyi kockázatot.

Az egyik csatlakozási pont a füstgázvezető körhöz kapcsolódik, és lehetővé teszi az égéstermékek minőségének és a tüzelési hatások figyelését.

A másik csatlakozási pont az égésilevego-beszívó körhöz csatlakozik, és lehetővé teszi az égéstermékek bármilyen újrahasznosítását a koaxiális csövetek esetében.

A füstgáz-áramkör csatlakozási pontjánál az alábbi paraméterek mérésére van lehetőség:

- égéstermékek hőmérséklete;
- oxigén (O_2) vagy széndioxid (CO_2) koncentráció;
- szénmonoxid (CO) koncentráció

Az égési levego hőmérsékletét a levegobeszívó körben lévő csatlakozási pontnál kell mérni, a mérőfejet kb. 3 cm mélyen bedugva.

Természetes huzatú kazán modelleknél egy lyukat kell készíteni a füstgázvezető csövön a kazántól a cső kétszeres belső átmérőjének megfelelő távolságban.

Ezen a lyukon keresztül az alábbi paraméterek mérésére van lehetőség:

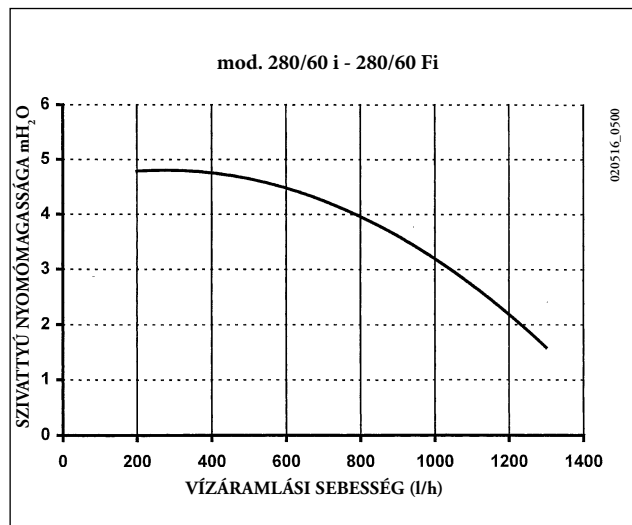
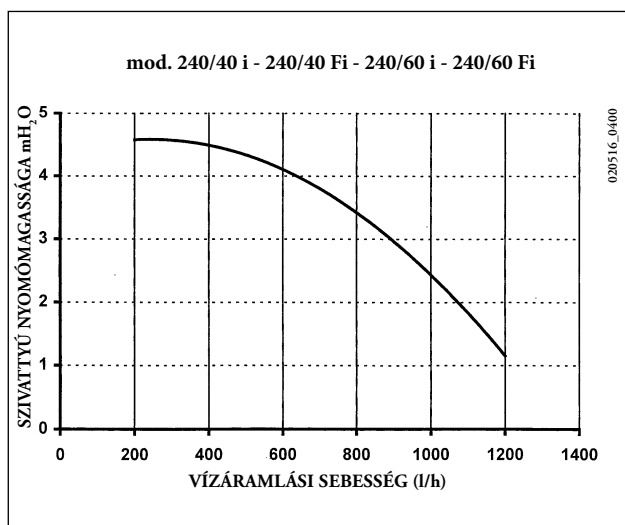
- égéstermékek hőmérséklete;
- oxigén (O_2) vagy széndioxid (CO_2) koncentráció;
- szénmonoxid (CO) koncentráció

Az égési levego hőmérsékletét ahhoz a ponthoz közel kell mérni, ahol a levego belép a kazánba.

A lyukat, amelyet annak a személynek kell készíteni, aki a rendszer üzemeltetéséért felelős az üzembe helyezéskor, le kell tömíteni oly módon, ami biztosítja az égéstermékvezető cső légzárását a normál üzemelés alatt.

25. KIMENO / SZIVATTYÚ EMELÉSI MAGASSÁGÁNAK TELJESÍTMÉNYE

Ez egy nagy sztatikus nyomásmagasságú szivattyú, ami alkalmas akár egy- vagy kétcsőves futési rendszerekben való felszerelésre. A szivattyúba beépített légtelenítő szelep lehetővé teszi a futési rendszer gyors légtelenítését.



MEGJEGYZÉS: A Boyler Digit 240 modellekhez rendelkezésre áll egy nagyobb szivattyú is, amelynek ugyanolyanok a tulajdonságai, mint a Boyler Digit 280 modelleken lévő szivattyúké.

26. A VÍZFORRALÓBAN LÉVO VÍZ LEENGEDÉSE

A vízforralóban lévő víz leengedéséhez az alábbiakban ismertetettek szerint kell eljárni:

- Zárja el a háztartási víz bemeneti csapját;
- Nyisson meg egy használati csapot;
- Csavarja ki a leereszto csap szorítógyurujét (15. ábra);
- Kissé csavarja ki a vízforraló háztartási vizet leereszto csövében elhelyezett anyacsavart.

27. A HÁZTARTÁSI/HASZNÁLATI VÍZ TÁGULÁSI TARTÁLYA

A tágulási tartály készlete a következőkből áll:

- 1 rozsdamentes acélból készült tágulási tartály;
- 1 támasz a tágulási tartályhoz;
- 1 rugalmas csatlakozócső.
- 1 ø 8 használati melegvíz tágulási tartály bekötőcsöve.

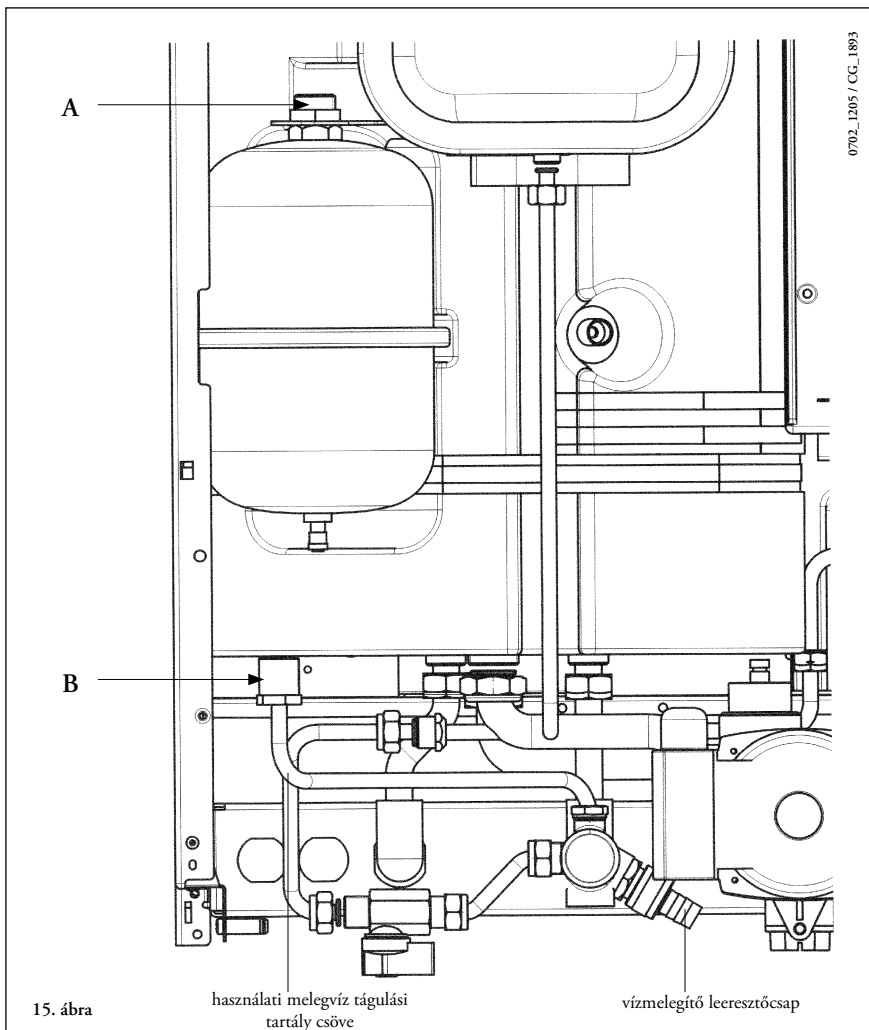
A 15. ábrán bemutatott módon kösse rá a tömlőt (ami a tágulási tartály készletében található) az **A** és **B** szerelvényekre.

Abban az esetben van rá szükség, ha:

- a vízvezeték vagy a vízvételi rendszer nyomása miatt (4 bárnál magasabb nyomás) nyomáscsökkentőt kell alkalmazni
- a hidegvíz hálózaton visszacsapószelep van
- a hidegvíz hálózat rendszere nem elégséges a vízmelegítőben lévő víz tágulásának felvételére, ezért tágulási tartályt kell alkalmazni.

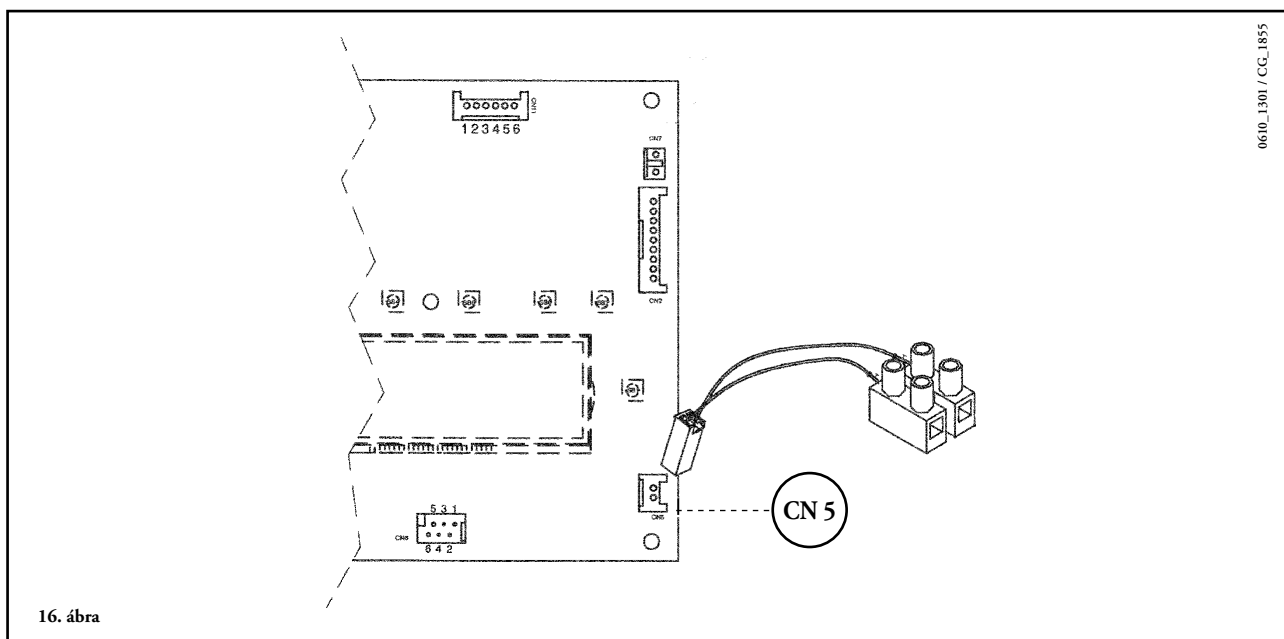
Javaslat

A tágulási tartály hatékony működéséhez a vízvezeték nyomása 4 bar alatt kell legyen. Ellenkező esetben szereljen fel nyomáscsökkentőt. A nyomáscsökkentőt úgy kell beállítani, hogy a tápvíz nyomás 4 bar alatt kell legyen.



Különleges felhasználási helyeken, ahol a vízkeménység értéke meghaladja a 25 °F-ot (1 °F = 10 mg mészkarbonát egy liter vízben) javasoljuk, hogy szereljen fel polifoszfát adagolót vagy hasonló hatású rendszert, ami megfelel az érvényes előírásoknak.

28. A KÜLSŐ MÉROFEJ CSATLAKOZTATÁSA



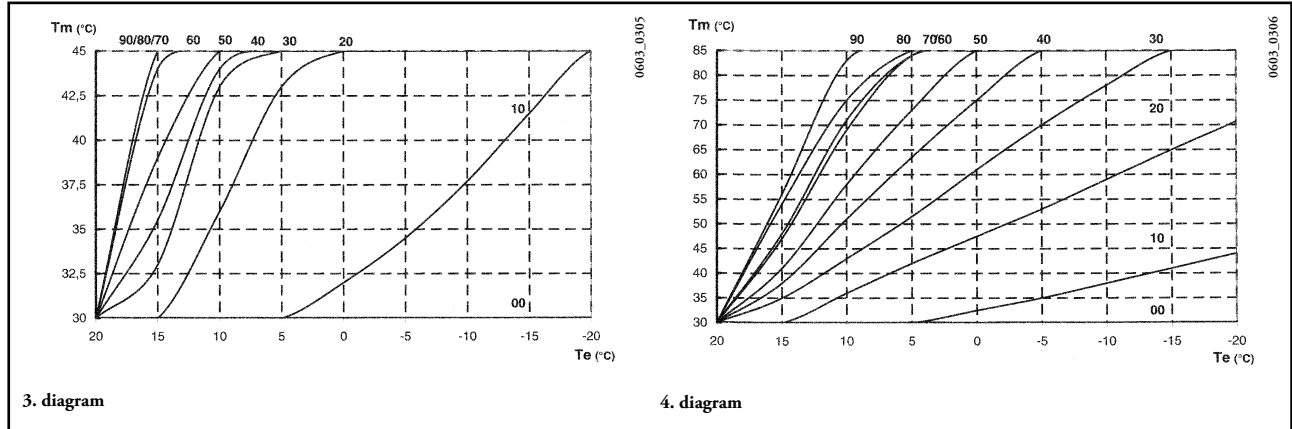
Ha be van kötve a külső szonda két eltérő módon lehet elvégezni a fűtés előremenő hőmérsékletének beállítását.

Ha a kazánba be lett építve a távirányítás (17.1 bekezdés), a fűtés előremenő hőmérsékletének beállítása a **K REG** görbétől függ (3. ábra), amit a +/- gombokkal manuálisan kell beállítani.

Ha a távirányító a falra lett szerelve (17.2 bekezdés), a fűtés előremenő hőmérsékletének beállítása automatikus. Az elektronikus vezérlés gondoskodik, automatikusan, a helyes klímagörbéről a külső hőmérsékletnek és az érzékelt környezeti hőmérsékletnek megfelelően (lásd még a 19.1 fejezetet).

FONTOS: a TM előremenő hőmérséklet értéke az F16 paraméter beállításától függ (20. fejezet). Ennek megfelelően a maximális beállítható hőmérséklet 85 vagy 45°C lehet.

kt görbék



TM = áramlási hőmérséklet (°C)

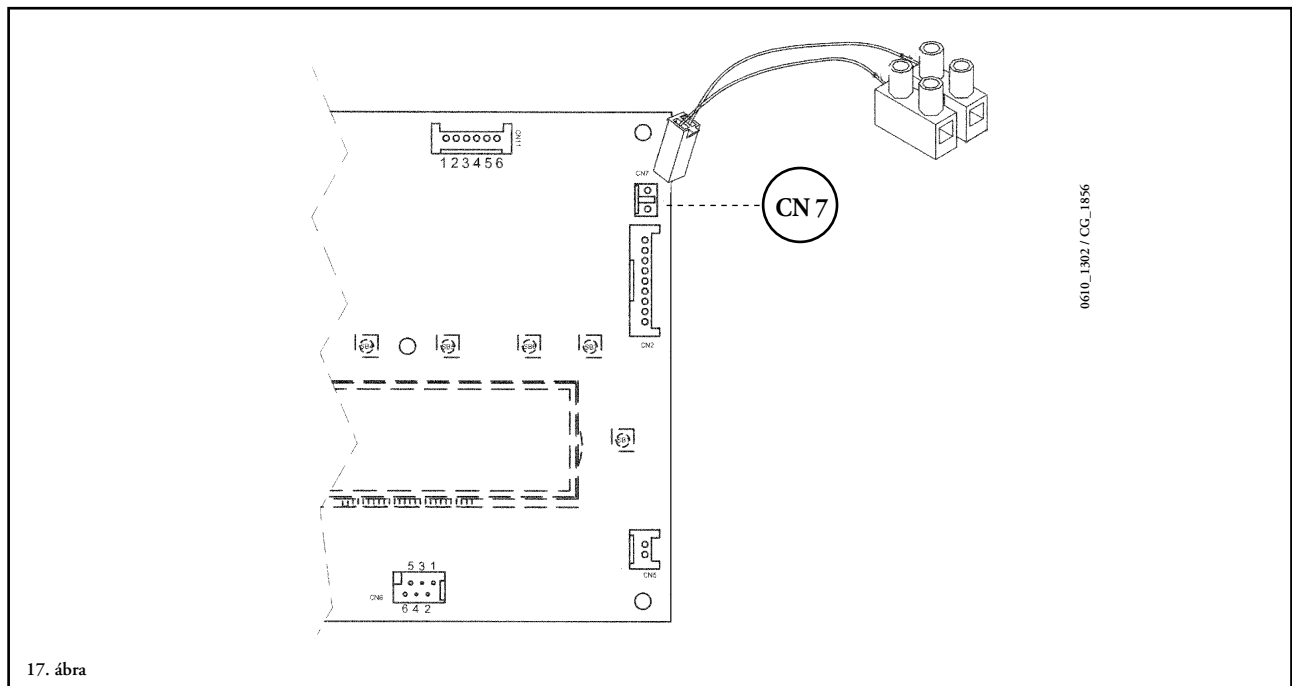
Te = külső hőmérséklet (°C)

29. A TÁVIRÁNYÍTÓ ELEKTROMOS BEKÖTÉSE

(TARTOZÉKKÉNT LESZÁLLÍTVÁ)

A távirányító nem része a felszerelésnek, mert tartozékként szállítjuk.

Nyissa ki az elektromos kártya műszerfalát, és kösse be a vezetéket (a kétpólusú kapcsolóval együtt leszállítva) a kazán elektronikus kártyájának CN7 csatlakozójába. Kösse be a távirányító termináljait a kétpólusú kapcsolóba (17. ábra).

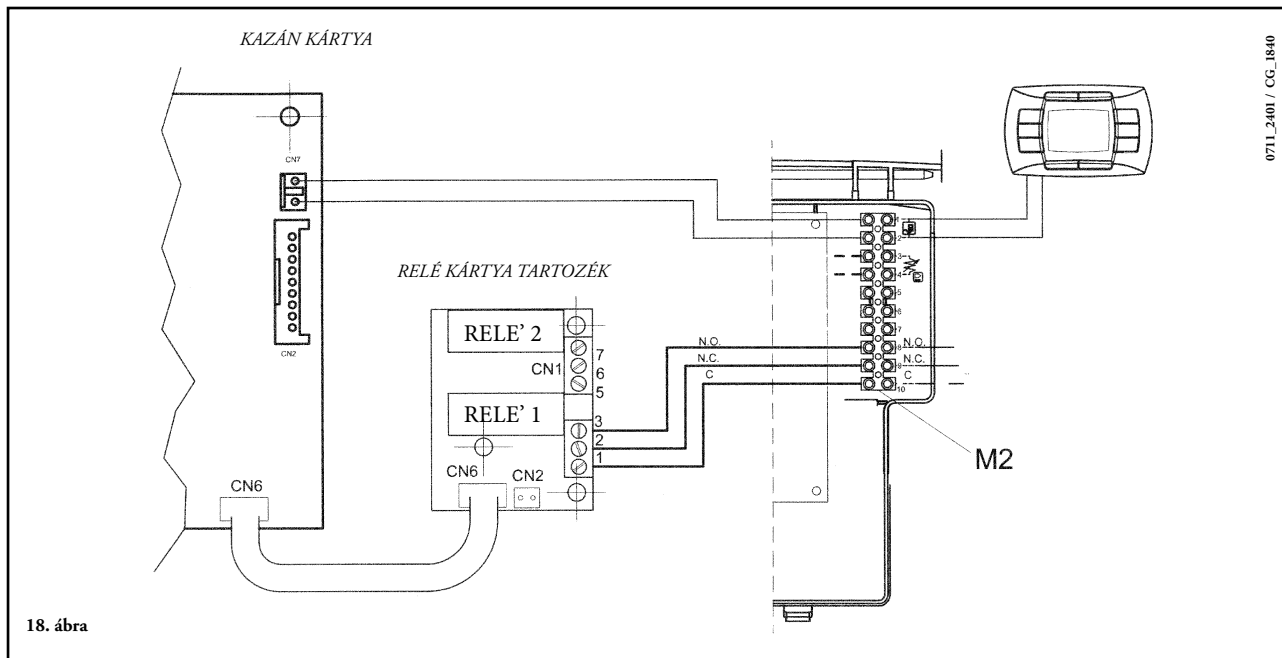


30. ELEKTROMOS CSATLAKOZÁSOK TÖBBZÓNÁS RENDSZERHEZ

30.1 - A RELÉ KÁRTYA BEKÖTÉSE (TARTOZÉKKÉNT LESZÁLLÍTVA)

A relé kártya nem a kazán részeként, hanem tartozékként kerül leszállításra.

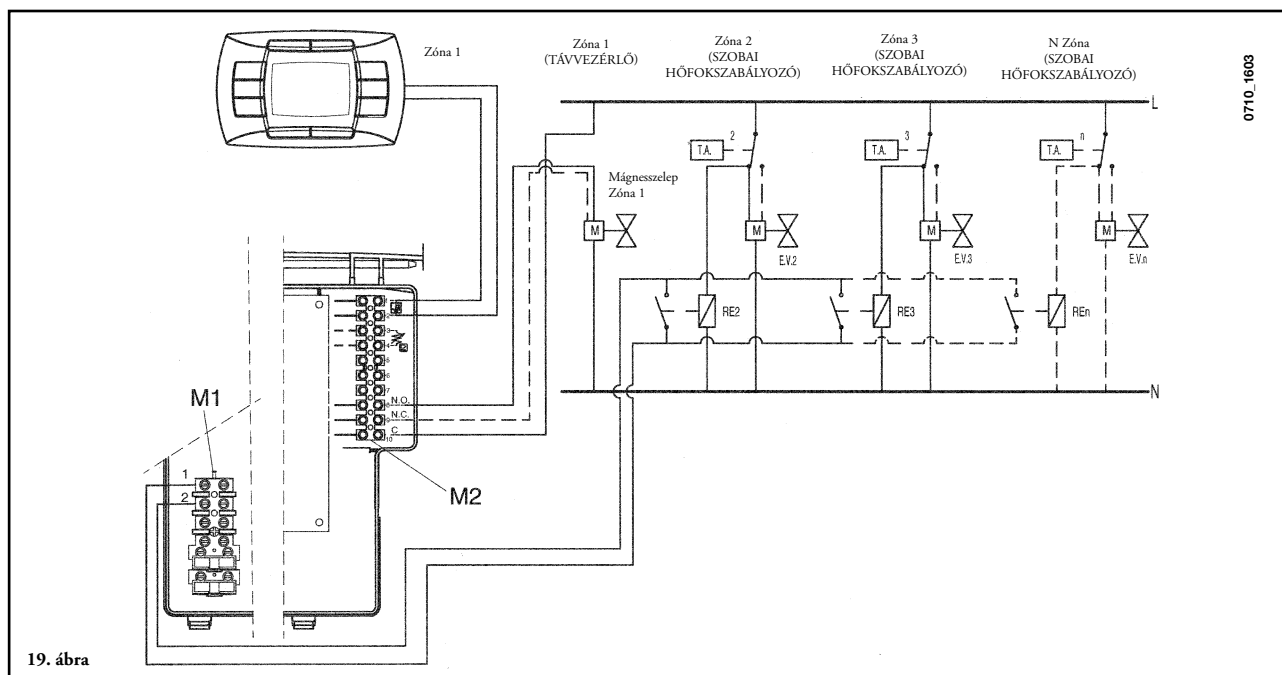
A CN1 csatlakozó 1-2-3 kapcsait (közös-általában zárt-általában nyitott) kösse a kazán M2 kapcsoléce 10-9-8 kapcsaira (18. ábra).



30.2 - A ZÓNÁK BEKÖTÉSE

Kösse párhuzamosan azt a kapcsolót, ami azokat a zónákat vezérli, amelyeket nem vezérel a távvezérlő, az M1 kapcsoléc "TA" 1-2 kapcsaihoz, amint az alábbi ábrán látható. A távvezérlő által vezérelt zóna táplálását a zóna 1 mágnesszelep látja el.

A távvezérlő automatikusan vezérli a szobai hőmérsékletet a saját zónájában.



FONTOS: Többzónás rendszernél ellenőrizze, hogy a paraméter **F04 = 2** legyen (a 20. fejezetben leírtak szerint).

31. ÉVES KARBANTARTÁS

A kazán optimális hatásfokának garantálása érdekében évente el kell végezni az alábbi ellenőrzéseket:

- a gázkör és az égéskör tömitései külsejének és zárásának ellenőrzése;
- a gyújtóelektrodák és lángérzékelő elektrodák állapotának és megfelelő helyzetének ellenőrzése;
- az égőfej állapotának és annak megfelelő rögzítésének ellenőrzése;
- az égéstér belsejében lévő esetleges szennyeződések jelenlétének ellenőrzése.
E célból a tisztításhoz használjon egy porszívót;
- a gázszelep megfelelő beállításának ellenőrzése;
- a fűtőberendezés nyomásának ellenőrzése;
- a tágulási tartály nyomásának ellenőrzése;
- a ventilátor megfelelő működésének ellenőrzése;
- a kivezető és a beszívó csővezetékek ellenőrzése a célból, hogy nincsenek-e elzáródva;
- a szifonban lévő esetleges szennyeződések ellenőrzése az így kialakított kazánokban;
- a magnézium anód épségének ellenőrzése, ahol van, a vízmelegítővel rendelkező kazánoknál.

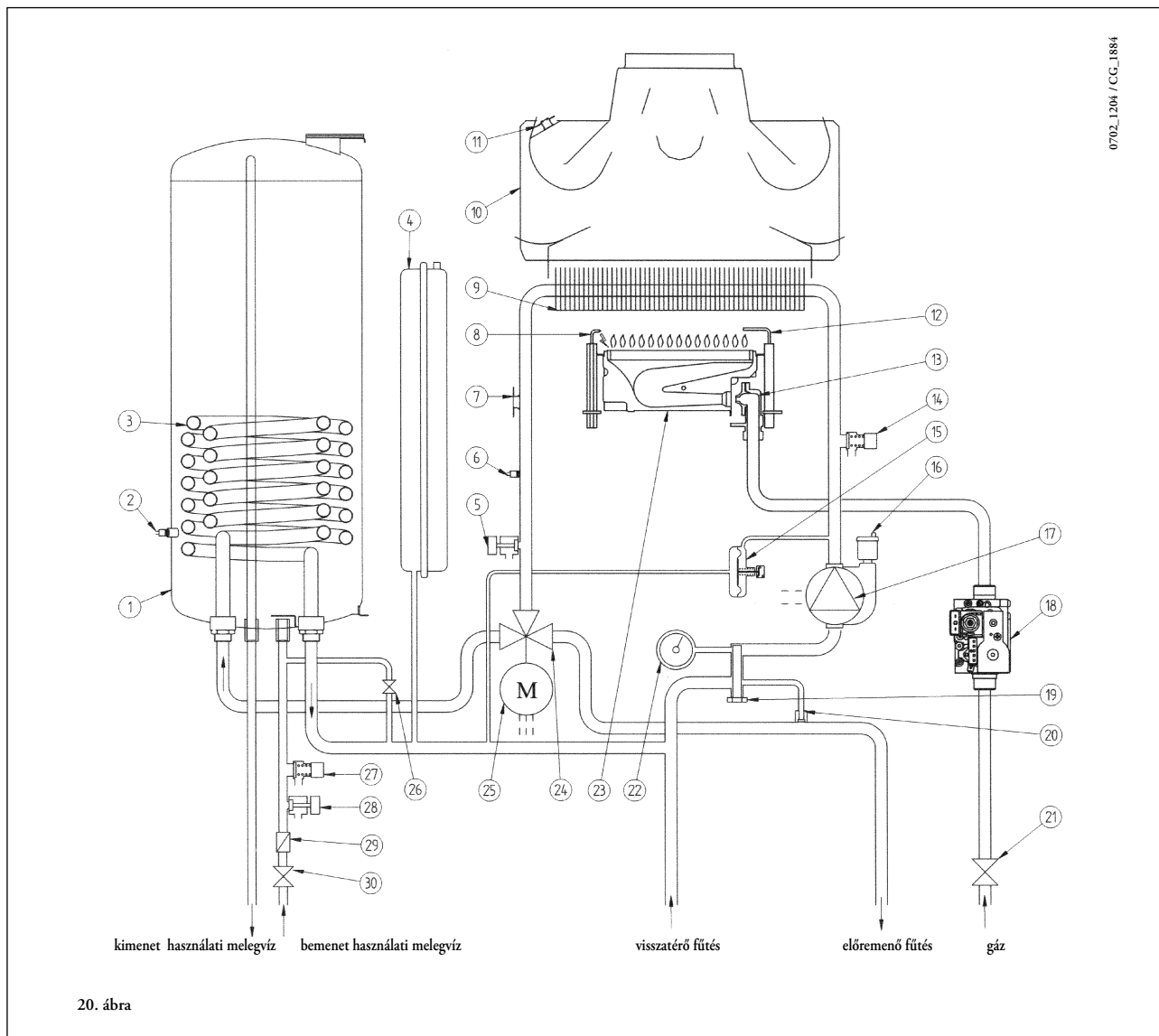
FIGYELMEZTETÉSEK

Mielőtt bármilyen beavatkozást végezne győződjön meg arról, hogy a kazán ne legyen elektromos áramellátás alatt.

A karbantartási műveletek végén helyezze vissza a kazán kezelőgombjait és/vagy a működési paramétereit az eredeti helyzetükbe.

32. A KAZÁN VÁZLATRAJZA

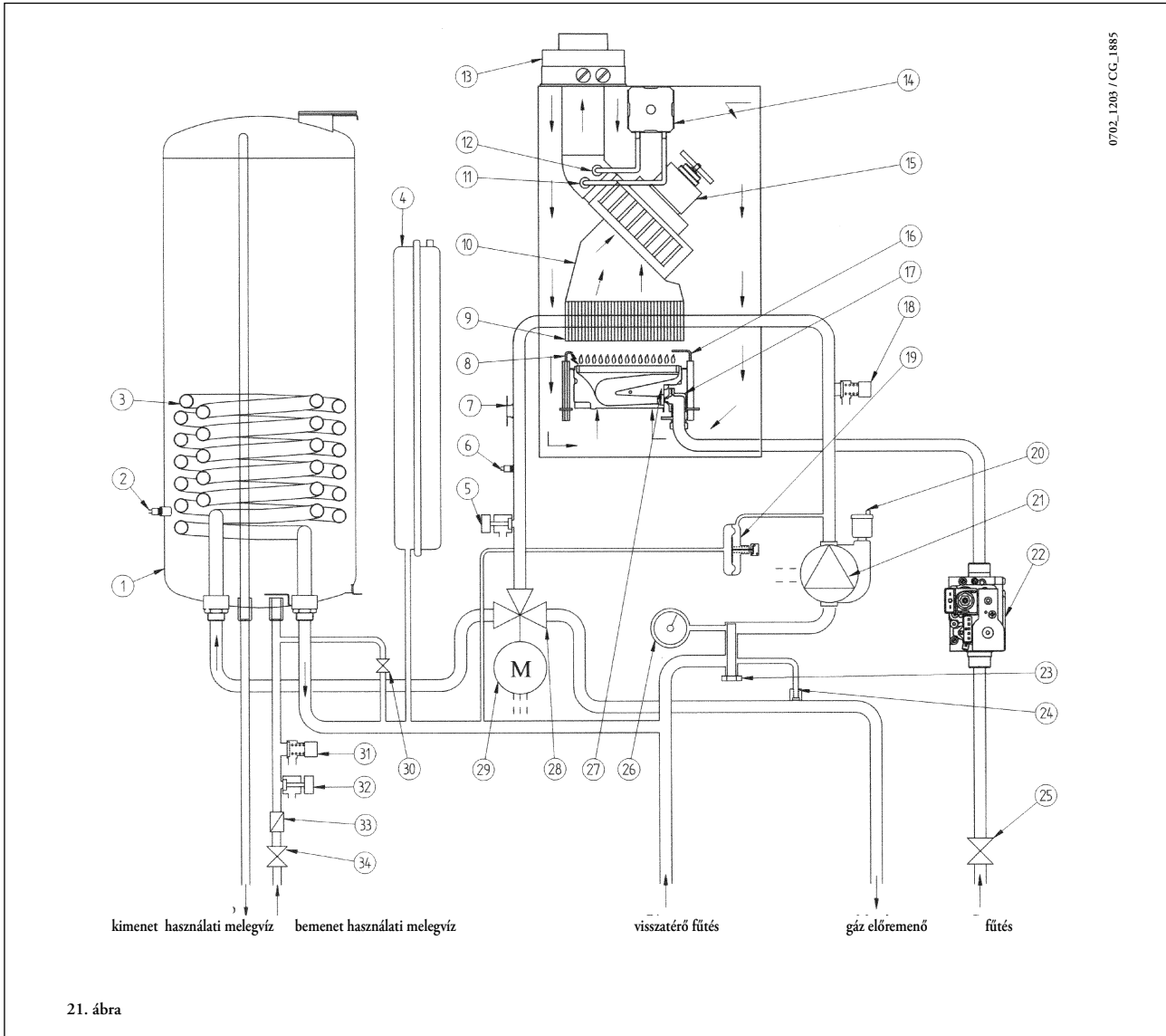
240/40 i - 240/60 i - 280/60 i



Jelmagyarázat:

- | | |
|--|--|
| 1 vízmelegítő | 17 szivattyú levegő szeparátorral |
| 2 vízmelegítő szonda | 18 gázszelep |
| 3 használati melegvíz hőcserélő | 19 fűtés visszamenő szűrő |
| 4 táglulás tartály | 20 automatikus by-pass |
| 5 kazán leeresztő csap | 21 gázcsap |
| 6 fűtési NTC szonda | 22 nyomásmérő |
| 7 biztonsági termosztát | 23 égő |
| 8 bekapcsoló elektróda | 24 háromutas szelep |
| 9 víz-füst hőcserélő | 25 háromutas szelep motor |
| 10 füstelszívó | 26 kazán feltöltőcsap |
| 11 füst termosztát | 27 használati melegvíz biztonsági szelep 8 bar |
| 12 lángúr elektróda | 28 vízmelegítő leeresztő csap |
| 13 gázpanel fűvőkákkal | 29 áramlásszabályozó |
| 14 fűtési biztonsági szelep 3 bar | 30 víz bemeneti csap |
| 15 hidraulikus differenciál presszosztát | |
| 16 automatikus légtelenítő szelep | |

240/40 Fi - 240/60 Fi - 280/60 Fi



21. ábra

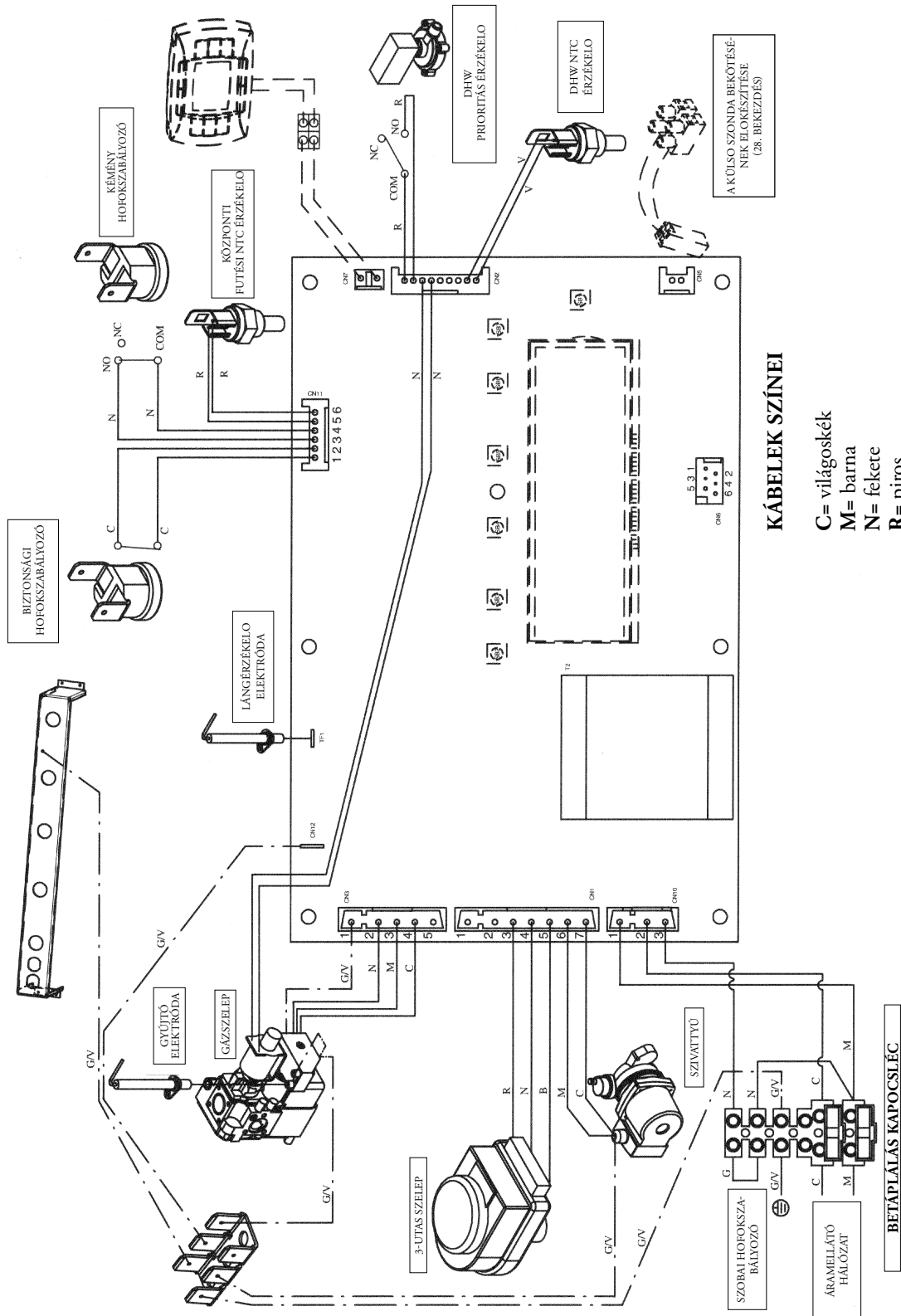
Jelmagyarázat:

- | | |
|---------------------------------|--|
| 1 vízmelegítő | 18 fűtési biztonsági szelep 3 bar |
| 2 vízmelegítő szonda | 19 hidraulikus differenciál presszosztát |
| 3 használati melegvíz hőcserélő | 20 automatikus légtelenítő szelep |
| 4 táglulás tartály | 21 szivattyú levegő szeparátorral |
| 5 kazán leeresztő csap | 22 gázszelep |
| 6 fűtési NTC szonda | 23 fűtés visszamenő szűrő |
| 7 biztonsági termosztát | 24 automatikus by-pass |
| 8 bekapcsoló elektróda | 25 gázcsap |
| 9 víz-füst hőcserélő | 26 nyomásmérő |
| 10 füstelvezető | 27 égő |
| 11 negatív nyomás csatlakozó | 28 háromutas szelep |
| 12 pozitív nyomás csatlakozó | 29 háromutas szelep motor |
| 13 koncentrikus szerelvény | 30 kazán feltöltőcsap |
| 14 levegő presszosztát | 31 használati melegvíz biztonsági szelep 8 bar |
| 15 ventillátor | 32 vízmelegítő leeresztő csap |
| 16 lángúr elektróda | 33 áramlásszabályozó |
| 17 gázpanel fűvókákkal | 34 víz bemeneti csap |

33. ILLUSZTRÁLT HUZALOZÁSI RAJZ

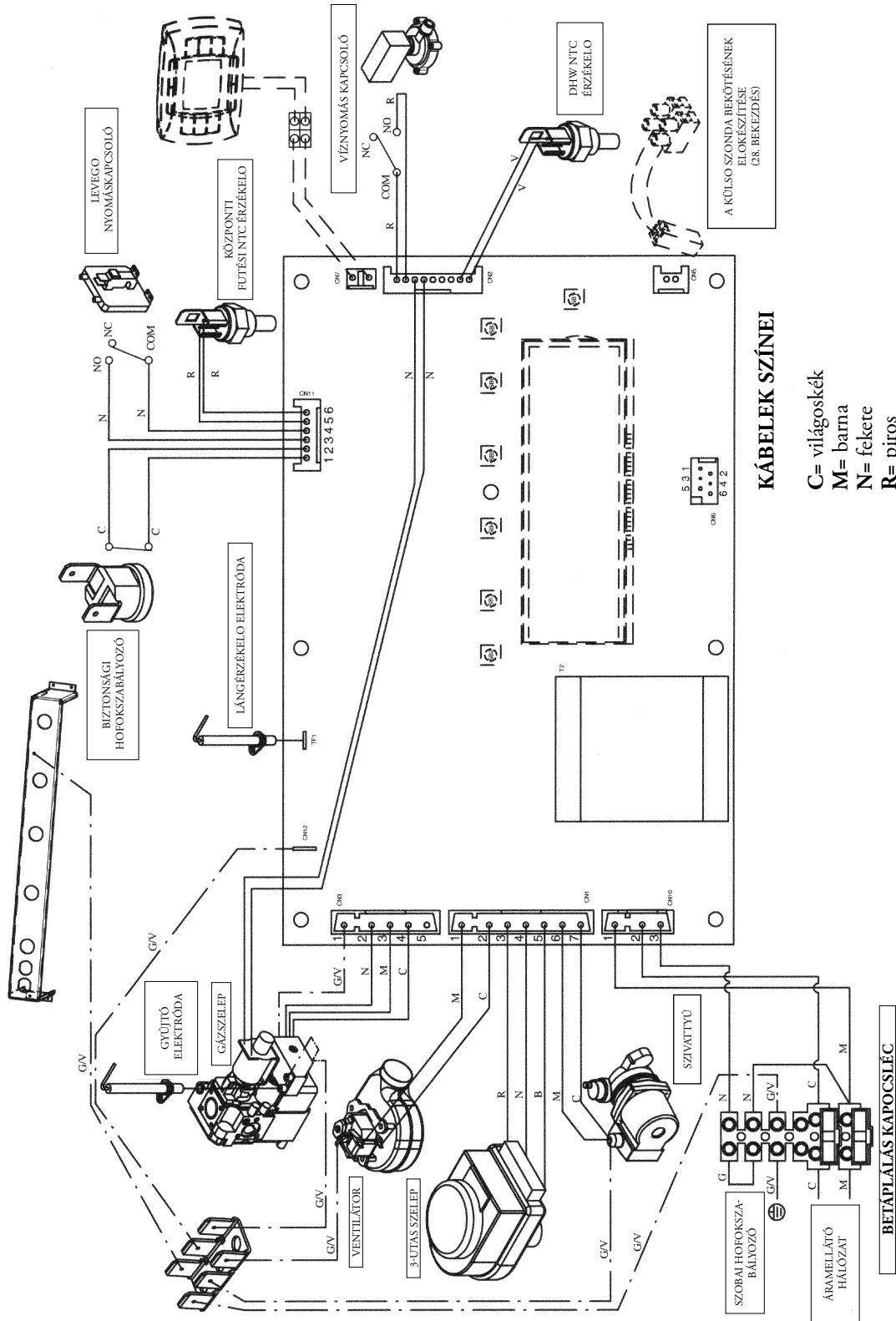
240/40 i - 240/60 i - 280/60 i

0711_2305 / CC_1986



240/40 Fi - 240/60 Fi - 280/60 Fi

0711_2306 / CG_1985



KÁBELEK SZÍNEI

- C= világoskék
- M= barna
- N= fekete
- R= piros
- G/V = sárga/zöld
- B= fehér
- V= zöld

34. MUSZAKI ADATOK

Modell BOYLER DIGIT		240/40 i	240/60 i	280/60 i	240/40 Fi	240/60 Fi	280/60 Fi
Kategória		II _{2HS3B/P}	II _{2HS3B/P}	II _{2HS3B/P}	II _{2HS3B/P}	II _{2HS3B/P}	II _{2HS3B/P}
Névleges hozam	kW	27,1	27,1	31,1	26,3	26,3	30,1
Csökkentett hozam	kW	11,9	11,9	11,9	11,9	11,9	11,9
Névleges hoteljesítmény	kW	24,4	24,4	28	24,4	24,4	28
	kcal/h	21.000	21.000	24.080	21.000	21.000	24.080
Csökkentett hoteljesítmény	kW	10,4	10,4	10,4	10,4	10,4	10,4
	kcal/h	8.900	8.900	8.900	8.900	8.900	8.900
a 92/42/EK irányelv szerinti hozam	-	★★	★★	★★	★★★	★★★	★★★
Futési kör maximális víznyomás	bar	3	3	3	3	3	3
Tágulási tartály urtartam	l	7,5	7,5	7,5	7,5	7,5	7,5
Vízmelegítő tárolási kapacitás	l	40	60	60	40	60	60
Tágulási tartály nyomás	bar	0,5	0,5	0,5	0,5	0,5	0,5
Használati melegvíz előállítás a leeresztésnél $\Delta T=30^{\circ}\text{C}$	l/30perc	350	390	450	350	390	450
Használati melegvíz kör maximális víznyomás	bar	8	8	8	8	8	8
Használati melegvíz előállítás $\Delta T=25^{\circ}\text{C}$ esetén	l/min	14	14	16,1	14	14	16,1
Használati melegvíz előállítás $\Delta T=35^{\circ}\text{C}$ esetén	l/min	10	10	11,5	10	10	11,5
Fajlagos hozam (*)	l/min	14,5	18,2	19	14,5	18,2	19
Típus	-	B _{11BS}	B _{11BS}	C12 - C32 - C42 - C52 - C82 - B22			
Koncentrikus leereszto cso átméro	mm	-	-	-	60	60	60
Koncentrikus elszívó cso átméro	mm	-	-	-	100	100	100
Kettos leereszto cso átméro	mm	-	-	-	80	80	80
Kettos elszívó cso átméro	mm	-	-	-	80	80	80
Leereszto cso átméro	mm	140	140	140	-	-	-
Füst maximális tömeghozam	kg/s	0,022	0,022	0,024	0,022	0,018	0,018
Füst minimális tömeghozam	kg/s	0,021	0,021	0,021	0,019	0,017	0,018
Max. füst hőmérséklet	°C	110	110	115	134	134	142
Mín. füst hőmérséklet	°C	82	82	82	108	108	108
NOx osztály	-	3	3	3	3	3	3
gáztípus	-	G20-G25.1	G20-G25.1	G20-G25.1	G20-G25.1	G20-G25.1	G20-G25.1
	-	G30-G31	G30-G31	G30-G31	G30-G31	G30-G31	G30-G31
Metán gáz betáplálási nyomás	G20-G25.1	mbar	25	25	25	25	25
Butángáz betáplálási nyomás	G30	mbar	30	30	30	30	30
Propán gáz betáplálási nyomás	G31	mbar	37	37	37	37	37
Elektromos betáplálás feszültség	V	230	230	230	230	230	230
Elektromos tápfrekvencia	Hz	50	50	50	50	50	50
Névleges elektromos teljesítmény	W	110	110	110	190	190	190
Nettó tömeg	kg	60	60	60	70	70	70
Méreték	magasság	mm	950	950	950	950	950
	szélesség	mm	600	600	600	600	600
	mélység	mm	466	466	466	466	466
Pára és vízbehatolás elleni védelem foka (**)	-	IP X5D	IP X5D	IP X5D	IP X5D	IP X5D	IP X5D

(*) EN 625 szerint

(**) EN 60529 szerint

WESTEN, termékeit folyamatosan fejleszti, és fenntartja a jogot arra, hogy a jelen dokumentációban megadott adatokat bármikor előzetes értesítés nélkül módosítsa. A jelen dokumentáció információs jellegű, és nem tekinthető harmadik féllel szembeni szerződésnek.

Уважаемый покупатель!

Мы убеждены, что приобретенное Вами изделие будет соответствовать всем Вашим требованиям.

Приобретение одного из изделий **BAXI** отвечает вашим ожиданиям: хорошая работа, простота и легкость пользования.

Сохраните это руководство, и пользуйтесь им в случае возникновения какой-либо проблемы. В данном руководстве Вы найдете полезные сведения, которые помогут Вам правильно и эффективно использовать Ваше изделие.

Элементы упаковки (пластиковые пакеты, полистирол и т.д.) необходимо беречь от детей, т.к. они представляют собой потенциальный источник опасности.

Хотя это руководство мы готовили с большой тщательностью, в нем могут быть некоторые неточности. Если Вы их заметите, просим вас сообщить о них, чтобы в будущем мы могли бы исправить данные неточности

На котлах **BAXI** нанесена маркировка CE. Котлы соответствуют требованиям, изложенным в следующих нормативах:

- Газовый норматив 90/396/ ЕЕС
- Норматив по производительности 92/42/ ЕЕС
- Норматив по электромагнитной совместимости 2004/108/ЕЕС
- Норматив по низким напряжениям 2006/95/ЕС



СОДЕРЖАНИЕ

РУКОВОДСТВО ДЛЯ ПОЛЬЗОВАТЕЛЯ

1. Подготовка к установке	92
2. Подготовка к первому пуску	92
3. Пуск котла	93
4. Регулирование температуры отопления и температуры горячей санитарной воды	94
5. Заполнение системы	95
6. Выключение котла	95
7. Выключение на длительный период. Защита от замерзания	95
8. Перевод котла на другой тип газа	95
9. Система безопасности: индикаторы и срабатывание	96
10. Указания по уходу	96

РУКОВОДСТВО ДЛЯ ТЕХНИЧЕСКОГО ПЕРСОНАЛА

11. Общие сведения	97
12. Проверки перед установкой котла	97
13. Крепежный шаблон котла	98
14. Габариты котла	98
15. Поставляется как дополнительное оборудование	99
16. Установка дымохода и воздуховода (модели с принудительной вытяжкой)	99
17. Подключение к электропитанию	103
18. Подсоединение комнатного термостата	103
19. Перевод котла на другой тип газа	104
20. Вывод информации на дисплей котла	106
21. Установка параметров	107
22. Устройства регулирования и предохранительные устройства	108
23. Расположение электрода зажигания и электрода-датчика пламени	110
24. Контроль отходящих газов	110
25. Характеристики расход/напор	111
26. Слив воды из бойлера	111
27. Расширительный бак системы ГВС (заказывается отдельно)	111
28. Присоединение датчика уличной температуры	112
29. Электрическое присоединение дистанционного управления (заказывается отдельно)	113
30. Электрическое присоединение зонального оборудования	114
31. Ежегодное техническое обслуживание	115
32. Функциональные схемы	116-117
33. Схемы электрических соединений	118-119
34. Технические данные	120

1. ПОДГОТОВКА К УСТАНОВКЕ

Котел предназначен для нагрева воды не выше температуры кипения при атмосферном давлении. Он подключается к системе отопления и к системе приготовления горячей воды в соответствии с его характеристиками и мощностью.

Котел должен устанавливаться квалифицированным специалистом.

До установки котла необходимо:

- а) Проверить, что котел настроен на работу с данным типом газа. Данная информация приведена на упаковке и на заводской табличке (шильдике) котла.
- б) Убедиться, что в дымоходе имеется достаточная тяга, отсутствуют сужения, и нет поступления посторонних продуктов сгорания, за исключением тех случаев, когда дымоход специально спроектирован для обслуживания нескольких устройств.
- в) При присоединении дымоотводящего патрубка к уже имеющемуся дымоходу проверить, что дымоход полностью очищен, т.к. при работе котла частицы сажи могут оторваться от стенок дымохода и закрыть выход продуктов сгорания, создав тем самым опасную ситуацию.
- г) Кроме того, чтобы сохранить действие гарантии на аппарат и для поддержания его правильного функционирования, необходимо применять следующие меры предосторожности:

1. Контур ГВС:

- 1.1. если жесткость воды выше значения 20° F (где 1° F = 10 мг CaCO₃ на 1 литр воды) следует установить полифосфатный дозатор или подобную систему для умягчения воды, которая соответствует действующим нормативам.
- 1.2. тщательно промыть оборудование после его установки и перед началом эксплуатации.
- 1.3. для надежной работы и удобства обслуживания настоятельно рекомендуется устанавливать на входной трубе холодного водоснабжения запорный кран с фильтром.

2. Контур отопления

2.1. новое оборудование

Перед установкой котла отопительное оборудование должно быть предварительно очищено, чтобы убрать возможные отложения или загрязнения (кусочки обшивки, спайки, и т.п.), используя для этого вещества, имеющиеся в свободной продаже. Вещества, используемые для очистки оборудования, не должны содержать концентрированную кислоту или щелочь, которые могут разъесть металл и повредить части оборудования из пластика и резины (например, SENTINEL X300 или X400 и FERNOX Rigenatore для отопительного оборудования). При использовании очищающих веществ необходимо строго следовать указаниям инструкций по их применению.

2.2. эксплуатируемое оборудование:

Перед установкой котла отопительное оборудование должно быть предварительно очищено от грязи и отложений, используя вещества, имеющиеся в свободной продаже (см. пункт 2.1)

Для защиты оборудования от накипи необходимо использовать вещества-ингибиторы, такие как SENTINEL X100 и FERNOX Protettivo для отопительного оборудования. При использовании данных веществ необходимо строго следовать указаниям инструкций по их применению.

Напоминаем Вам, что наличие отложений в тепловом оборудовании приводит к проблемам в работе котла (перегрев, шумность горелки и т.п.)

При не соблюдении данных рекомендаций аппарат снимается с гарантийного обслуживания.

2. ПОДГОТОВКА К ПЕРВОМУ ПУСКУ

Первый пуск котла должен производиться квалифицированным специалистом. Необходимо убедиться в следующем:


- а) Параметры котла по электропитанию, воде и газу соответствуют имеющимся системам электро-, водо-, и газоснабжения.
- б) Установка произведена в соответствии с действующими нормативами
- в) Аппарат правильно подключен к электропитанию и заземлению


При несоблюдении вышеперечисленных требований гарантия от завода-изготовителя теряет свою силу. Перед первым пуском снимите с котла целлофановую защитную пленку. Чтобы не повредить окрашенные поверхности, во время мытья и чистки поверхностей не используйте жесткие инструменты или абразивные моющие средства.

3. ПУСК КОТЛА


Гарантийные обязательства выполняются организацией, осуществившей первый пуск котла. Данная организация должна иметь установленные законом лицензии. Начало гарантийного срока наступает с момента первого пуска. Для осуществления первого пуска и последующего обслуживания котла рекомендуем Вам обращаться в авторизованные сервисные центры ВАХИ ("БАКСИ"). Адреса и телефоны сервисных центров спрашивайте в торгующей организации.

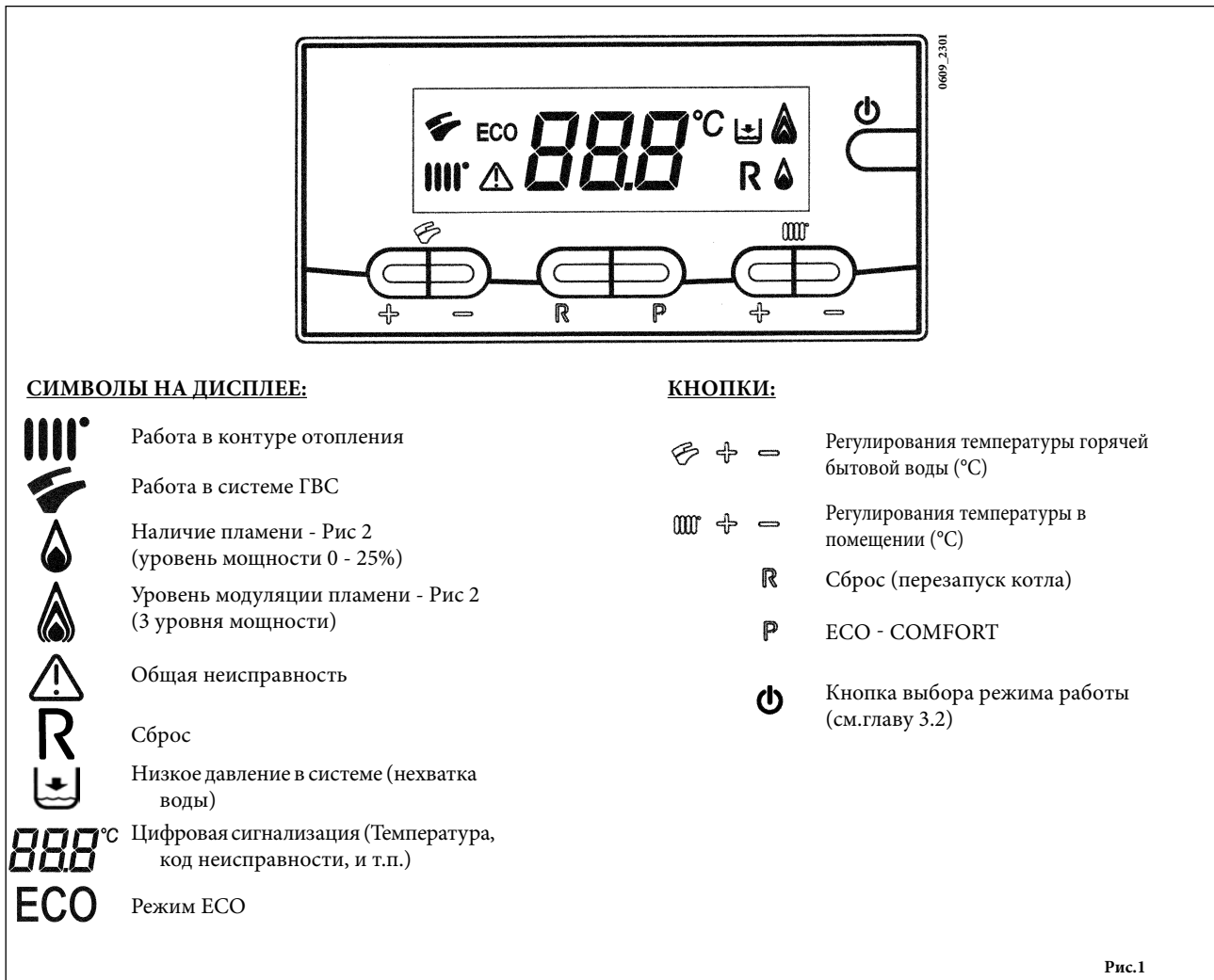
Для правильного зажигания горелки нужно:

- подключить котел к электросети.
- открыть газовый кран;
- нажать кнопку  (примерно 2 сек), чтобы установить режим работы котла (см. параграф 3.2).

ПРИМЕЧАНИЕ: при установке режима работы , котел работает только на производство горячей санитарной воды.

- установить необходимые значения температуры в системах отопления и ГВС, действуя кнопками +/- (см. параграф 4).

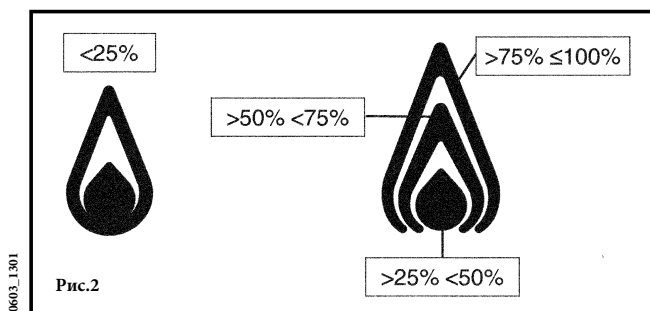
ПРИМЕЧАНИЕ: При первом включении внутри трубы подачи газа могут образоваться воздушные пробки. В таких случаях горелка не будет включаться и произойдет блокировка котла. При возникновении данной проблемы повторите процедуру включения котла до поступления газа в горелку, нажимая не менее 2 сек кнопку Сброс ().



При подсоединенном устройстве дистанционного управления (ДУ - поставляется отдельно) все регулировки котла осуществляются с ДУ. Руководствуйтесь также инструкциями, прилагаемыми к устройству.




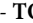

3.1 ЗНАЧЕНИЕ СИМВОЛА


Во время работы котла, в зависимости от степени модуляции пламени, на дисплее панели управления могут быть показаны 4 различных уровня мощности котла (см. рис.2)






3.2 РЕЖИМЫ РАБОТЫ КОТЛА



Можно установить 4 режима работы котла:


ВЫКЛЮЧЕНО (OFF) - ЛЕТО  - ЗИМА    - ТОЛЬКО ОТОПЛЕНИЕ .

Нажимать примерно 2 сек кнопку  для выбора необходимого режима работы котла.



При режиме ВЫКЛЮЧЕНО на дисплее отсутствуют оба символа  . Котел не работает, остается активной только функция «защита от замерзания».


При работе котла в режиме ЛЕТО на дисплее появляется символ . Котел работает только на приготовление горячей воды (функция «защита от замерзания» остается активной).

При работе котла в режиме ЗИМА на дисплее появляются символы  . Котел работает как на отопление, так и на приготовление горячей воды (функция «защита от замерзания» активна).

При работе котла в режиме ТОЛЬКО ОТОПЛЕНИЕ на дисплее появляется символ . Котел работает только на систему отопления (функция «защита от замерзания» активна).


4. РЕГУЛИРОВАНИЕ ТЕМПЕРАТУРЫ ОТОПЛЕНИЯ И ТЕМПЕРАТУРЫ ГОРЯЧЕЙ САНИТАРНОЙ ВОДЫ

Регулирование температуры отопления  и температуры горячей санитарной воды , осуществляется с помощью кнопок +/- (см. рис 1).


Наличие пламени на горелке показано на дисплее панели управления символом .

СИСТЕМА ОТОПЛЕНИЯ

Оборудование должно быть оснащено комнатным термостатом для контроля температуры в помещении.

Во время работы котла на систему отопления на дисплее (рис.1) появляется мигающий символ  и температура (°C) на подаче в систему отопления.

СИСТЕМА ГВС


Во время работы котла на систему ГВС на дисплее (рис.1) появляется мигающий символ  и температура (°C) воды на подаче в бойлер.

Нажимая кнопку P можно установить два различных значения температуры горячей санитарной воды ECO и COMFORT.

ECO

Нажать кнопку P, на дисплее появится надпись «есо», с помощью кнопок  установить требуемое значение температуры.


COMFORT

Нажать кнопку P, на дисплее появится только значение установленной температуры, с помощью кнопок +/-  отрегулировать требуемое значение температуры.

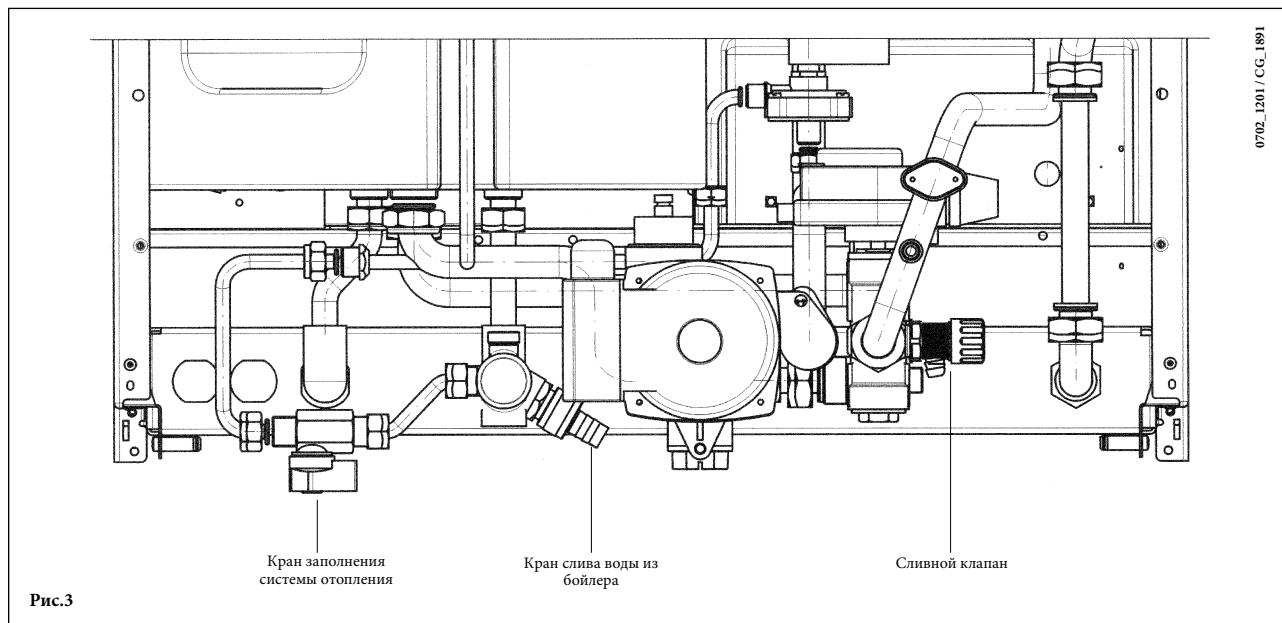
5. ЗАПОЛНЕНИЕ СИСТЕМЫ

ВАЖНО! Регулярно проверяйте по манометру (14 - Рис. 17 и 18), чтобы давление находилось в пределах от 0,5 до 1 бар при холодной системе отопления. При превышении давления откройте сливной клапан. Если давление ниже нормы откройте кран заполнения (рис.3).

Советуем открывать кран очень медленно для облегчения стравливания воздуха.

Необходимо, чтобы во время этой операции котел находился в режиме OFF (Выключено), для этого нажимайте кнопку  - см. рис 1).

Если давление падает часто, пусть ваш котел проверит квалифицированный специалист.



Котел оборудован дифференциальным гидравлическим прессостатом, который отключает котел в случае блокировки насоса или при недостатке воды.

6. ВЫКЛЮЧЕНИЕ КОТЛА

Для выключения котла необходимо отключить электропитание прибора. Когда переключатель режимов находится в положении «OFF» котел выключается (см. параграф 3.2), но электрический контур котла остается под напряжением и остается активной функция «защита от замерзания» (параграф 7).

7. ВЫКЛЮЧЕНИЕ НА ДЛИТЕЛЬНЫЙ ПЕРИОД. ЗАЩИТА ОТ ЗАМЕРЗАНИЯ

Рекомендуется избегать частых сливов воды из системы отопления, т.к. частая замена воды приводит к ненужным и вредным отложениям накипи внутри котла и теплообменников.

Если котел не используется в зимний период и существует опасность замерзания, Вы можете использовать в системе отопления незамерзающие жидкости – антифризы. В инструкциях производителя антифриза должно быть указано, что данный антифриз предназначен именно для систем отопления. При использовании антифриза необходимо строго соблюдать рекомендации производителя. Для двухконтурных котлов рекомендуется использовать антифризы на базе пропиленгликоля. Рекомендуемая концентрация антифриза должна соответствовать температуре замерзания от -15 °С до -20 °С.

В котле работает функция «защита от замерзания», которая при температуре воды на подаче системы отопления менее 5 °С включает горелку; горелка работает до достижения температуры 30 °С на подаче

Данная функция работает, если:

- котел подключен к электропитанию;
- в сети есть газ;
- давление в системе отопления соответствует установленным параметрам;
- котел не заблокирован.

8. ПЕРЕВОД КОТЛА НА ДРУГОЙ ТИП ГАЗА

Котел может работать как на природном, так и на сжиженном газе. Перевод котла на другой тип газа выполняет только квалифицированный специалист.

9. СИСТЕМА БЕЗОПАСНОСТИ: ИНДИКАТОРЫ И РАБАТЫВАНИЕ

Неисправности идентифицируются с помощью кода, который высвечивается на дисплее после буквы E (например, E01). При возникновении неисправностей, которые могут быть устранены пользователем, на дисплее появляется символ **R** (рис. 4). При возникновении неисправностей, которые не могут быть устранены пользователем, на дисплее появляется символ **⚠** (рис 4.1). Для ПЕРЕЗАПУСКА котла нажимать не менее 2 сек кнопку **R**.



Код неисправности	Описание неисправности	МЕРЫ ПО УСТРАНЕНИЮ
E01	Отсутствие зажигания	Нажать кнопку R . В случае повторного срабатывания данного устройства, обратитесь в обслуживающую организацию.
E02	Сработал предохранительный термостат перегрева	Нажать кнопку R . В случае повторного срабатывания данного устройства, обратитесь в обслуживающую организацию.
E03	Сработал предохранительный термостат (датчик тяги)/ прессостат – датчик тяги	Обратиться в обслуживающую организацию.
E04	Ошибка по частому срыву пламени	Обратиться в обслуживающую организацию.
E05	Неисправен датчик температуры контура отопления	Обратиться в обслуживающую организацию.
E06	Неисправен датчик температуры системы ГВС	Обратиться в обслуживающую организацию.
E11	Сработал предохранительный термостат перегрева низкотемпературного контура (при его наличии)	Обратиться в обслуживающую организацию.
E12	Нет сигнала от дифференциального гидравлического прессостата	Проверьте, чтобы давление в системе соответствовало необходимым значениям (см. главу 5). Если неисправность остается, обратитесь в обслуживающую организацию.
E13	Поврежден контакт дифференциального гидравлического прессостата	Проверьте, чтобы давление в системе соответствовало необходимым значениям (см. главу 5). Если неисправность остается, обратитесь в обслуживающую организацию.
E25	Отсутствие циркуляции воды	Обратиться в обслуживающую организацию.
E31	Ошибка в передаче данных между электронной платой и дистанционным управлением	Нажать кнопку R . В случае повторного срабатывания данного устройства, обратитесь в обслуживающую организацию
E35	Ошибка пламени (паразитное пламя)	Premere il tasto R . В случае повторного срабатывания данного устройства, обратитесь в обслуживающую организацию.
E98	Ошибка внутри электронной платы	Обратиться в обслуживающую организацию.
E99	Ошибка внутри электронной платы	Обратиться в обслуживающую организацию.

10. УКАЗАНИЯ ПО УХОДУ

Для поддержания эффективной и безопасной работы Вашего котла в конце каждого сезона его должен проверить квалифицированный специалист. Качественное обслуживание обеспечивает долгий срок службы и экономичную работу системы. Внешнее покрытие котла нельзя чистить абразивными, едкими или легковоспламеняющимися моющими средствами (такими как бензин, спирт и т.п.). Перед чисткой всегда отключайте агрегат от сети (см. параграф 6 “Выключение котла”).

11. ОБЩИЕ СВЕДЕНИЯ

Нижеследующие указания и замечания составлены для того, чтобы помочь квалифицированному специалисту проводить без ошибок установку и техническое обслуживание. Указания относительно розжига котла и его работы приведены в разделе “Руководство для пользователя”.

Установка, техническое обслуживание и проверка работы домашних газовых устройств должны производиться только квалифицированным персоналом и в соответствии с действующими нормами.

Обратите внимание:

- этот котел можно подключать к любому типу радиаторов и теплообменников, используя однотрубную, двухтрубную или лучевую систему. Вы можете располагать секции в системе отопления обычным образом, учитывая при этом данные из раздела “Характеристики расход/напор”.
- части упаковки (пластиковые мешки, пенопласт и пр.) держите вне досягаемости детей, поскольку они являются источником потенциальной опасности
- первый пуск котла должен проводить квалифицированный специалист.

Гарантийные обязательства выполняются организацией, осуществившей первый пуск котла. Данная организация должна иметь установленные законом лицензии. Начало гарантийного срока наступает с момента первого пуска. Для осуществления первого пуска и последующего обслуживания котла рекомендуем Вам обращаться в авторизованные сервисные центры ВАХИ (“БАКСИ”). Адреса и телефоны сервисных центров спрашивайте в торгующей организации.

Зная местные условия, параметры электро-, газо-, и водоснабжения, обслуживающая организация вправе требовать установку дополнительного оборудования (стабилизатор напряжения, умягчитель воды и т.д.)

12. ПРОВЕРКИ ПЕРЕД УСТАНОВКОЙ КОТЛА

Котел предназначен для нагрева воды не выше температуры кипения при атмосферном давлении. Он подключается к системе отопления и к системе приготовления горячей воды в соответствии с его характеристиками и мощностью.

До установки котла необходимо:

- а) Проверить, что котел настроен на работу с данным типом газа. Данная информация приведена на упаковке и на заводской табличке (шильдике) котла.
- б) Убедиться, что в дымоходе имеется достаточная тяга, отсутствуют сужения, и нет поступления посторонних продуктов сгорания, за исключением тех случаев, когда дымоход специально спроектирован для обслуживания нескольких устройств.
- в) При присоединении дымоотводящего патрубка к уже имеющемуся дымоходу проверить, что дымоход полностью очищен, т.к. при работе котла частицы сажи могут оторваться от стенок дымохода и закрыть выход продуктов сгорания, создав тем самым опасную ситуацию.
- г) Кроме того, чтобы сохранить действие гарантии на аппарат и для поддержания его правильного функционирования, необходимо применять следующие меры предосторожности:

1. Система ГВС:

- 1.1. если жесткость воды выше значения 20° F (где 1° F = 10 мг CaCO₃ на 1 литр воды) следует установить полифосфатный дозатор или подобную систему для умягчения воды, которая соответствует действующим нормативам.
- 1.2. система ГВС должна быть тщательно промыта после установки аппарата и перед его использованием.
- 1.3 для надежной работы и удобства обслуживания настоятельно рекомендуется устанавливать на входной трубе холодного водоснабжения запорный кран с фильтром.

2. Circuito di Система отопления

2.1. новое оборудование

Перед установкой котла отопительное оборудование должно быть предварительно очищено, чтобы убрать возможные отложения или загрязнения (кусочки обшивки, спайки, и т.п.), используя для этого вещества, имеющиеся в свободной продаже. Вещества, используемые для очистки оборудования, не должны содержать концентрированную кислоту или щелочь, которые могут разъесть металл и повредить части оборудования из пластика и резины (например, SENTINEL X300 или X400 и FERNOX Rigeneratore для отопительного оборудования). При использовании очищающих веществ необходимо строго следовать указаниям инструкций по их применению.

2.2. эксплуатируемое оборудование:

Перед установкой котла отопительное оборудование должно быть предварительно очищено от грязи и отложений, используя вещества, имеющиеся в свободной продаже (см. пункт 2.1)

Для защиты оборудования от накипи необходимо использовать вещества-ингибиторы, такие как SENTINEL X100 и FERNOX Protettivo для отопительного оборудования. При использовании данных веществ необходимо строго следовать указаниям инструкций по их применению.

Напоминаем Вам, что наличие отложений в тепловом оборудовании приводит к проблемам в работе котла (перегрев, шумность горелки и т.п.)

- 2.3 Рекомендуется установить запорные краны на трубах подачи и возврата системы отопления и фильтра на трубе возврата (“обратки”).

При не соблюдении данных рекомендаций аппарат снимается с гарантийного обслуживания.

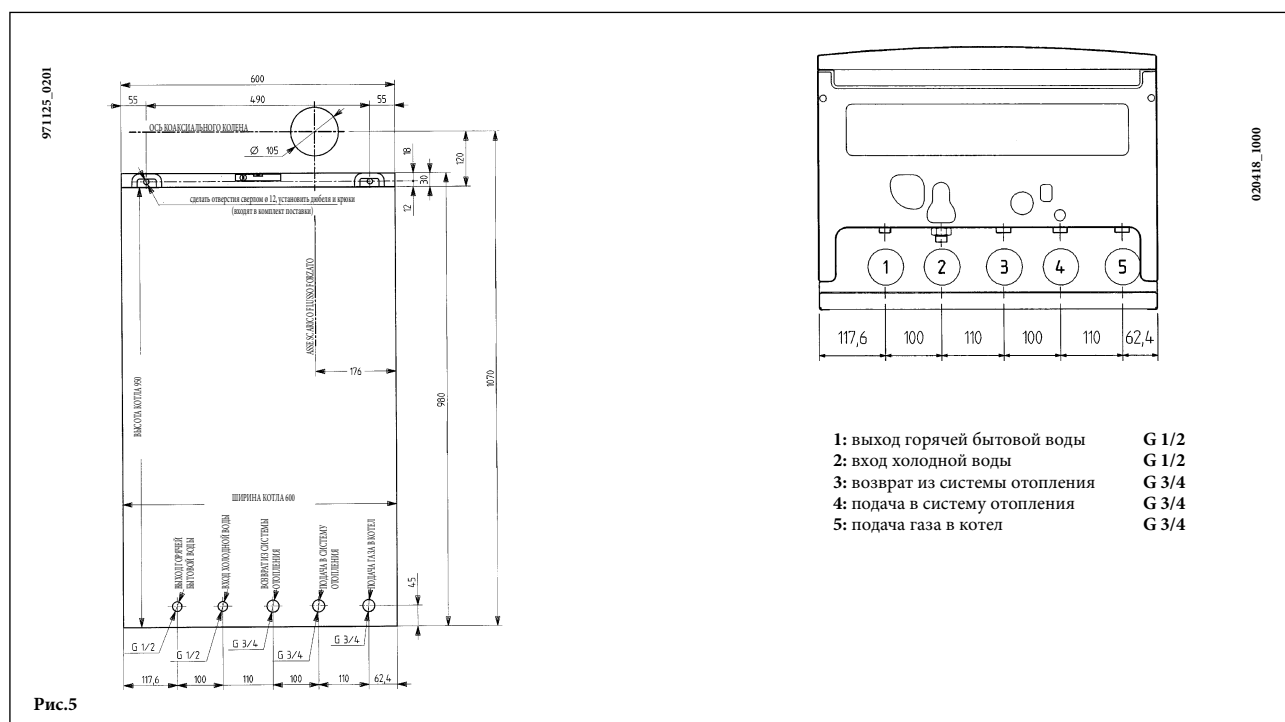
13. КРЕПЕЖНЫЙ ШАБЛОН КОТЛА

Выберите местоположение котла, затем прикрепите шаблон к стене.

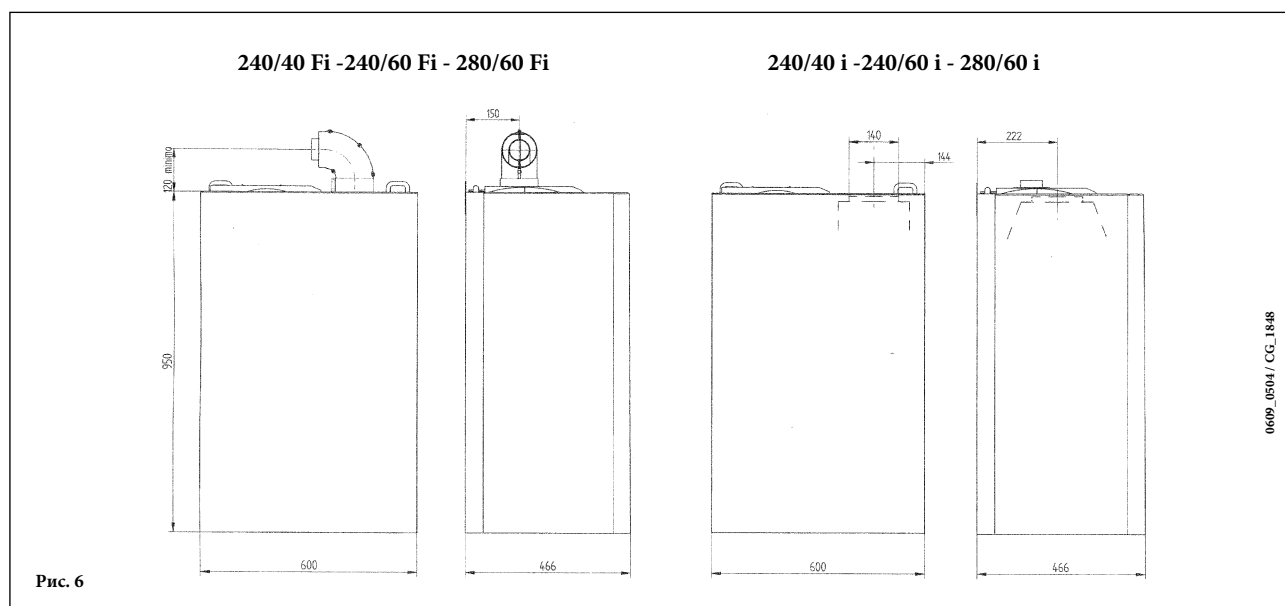
Подведите трубы к входным отверстиям воды и газа, размеченным в нижней части шаблона. Мы советуем установить на вход в центральную систему отопления и возврат из нее два запорных крана G3/4" (заказываются отдельно); эти краны позволят производить сложные операции техобслуживания без слива воды из всей системы.

Настоятельно рекомендуется установить сетчатый фильтр и отстойную емкость ("грязевик") на трубе возврата из системы, чтобы туда собирались отложения, которые могли остаться в системе после очистки.

Присоедините дымоход и воздуховод согласно инструкции, данной в последующих разделах. При установке котла с открытой камерой сгорания соедините его с дымоходом при помощи металлической трубы, устойчивой с течением времени к механической нагрузке, нагреву и воздействию продуктов сгорания и конденсата.



14. ГАБАРИТНЫЕ РАЗМЕРЫ КОТЛА



15. ПОСТАВЛЯЕТСЯ КАК ДОПОЛНИТЕЛЬНОЕ ОБОРУДОВАНИЕ

- газовый кран (1)
- кран на входе из магистрали водоснабжения (2)
- прокладки
- соединения
- дюбели 12 мм и крюки

BOYLER DIGIT 240/40 i -240/40 Fi

0804_1101 / CG_2061

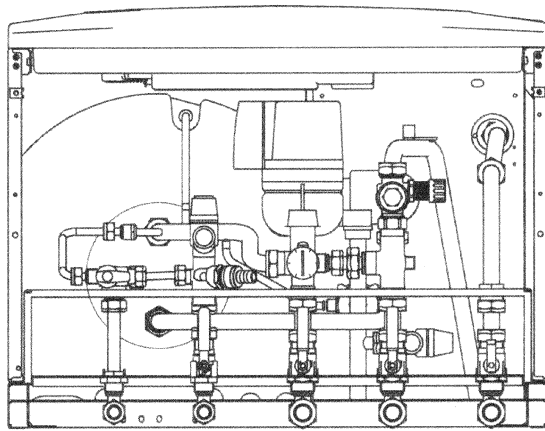
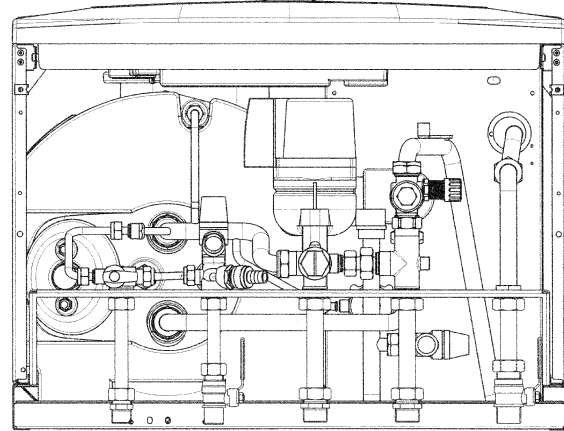


Рис. 7

BOYLER DIGIT 240/60 i -240/60 Fi - 280/60 i - 280/60 Fi

0702_1202 / CG_1892



2

1

16. УСТАНОВКА ДЫМОХОДА И ВОЗДУХОВОДА

Ниже описываются поставляемые в качестве аксессуаров трубы и крепления для котлов с закрытой камерой сгорания и принудительной вытяжкой. Котел специально спроектирован для присоединения к дымоходу и воздуховоду коаксиальной трубой. Возможно также использование отдельных труб при помощи переходного комплекта. При использовании отдельных труб возможно также объединение их на конечном участке специальным коаксиальным наконечником (терминалом).

Используйте только крепления, поставляемые данным производителем!

...коаксиальный дымоход (концентрический)

Этот тип трубопровода позволяет отводить сгоревшие газы наружу и забирать воздух для горения снаружи здания, а также присоединяться к общему дымоходу (LAS - система).

90° коаксиальный изгиб позволяет присоединять котел к дымоходу в любом направлении, поскольку он может поворачиваться на 360°. Кроме того, он может использоваться в качестве дополнительного в сочетании с коаксиальной трубой или с 45° изгибом.

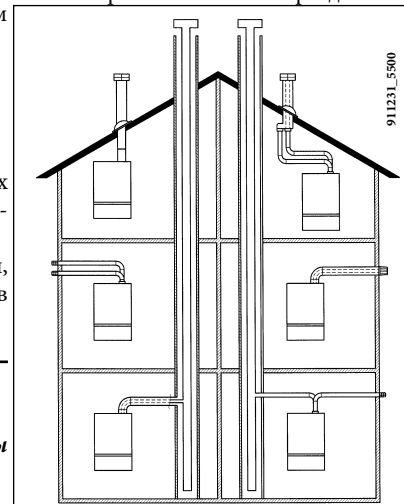


Рис.8

ПРЕДУПРЕЖДЕНИЕ

Для гарантии наибольшей безопасности при работе котла необходимо, чтобы дымоотводящие трубы были надежно прикреплены к стене.



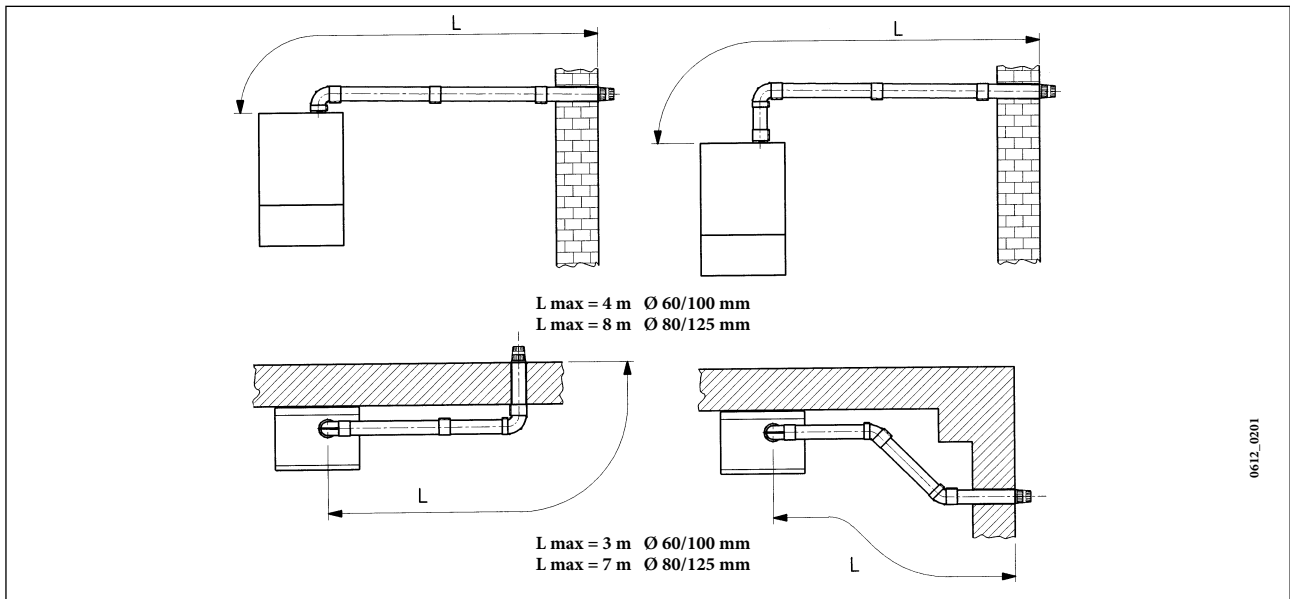
Рис.9

МОДЕЛЬ КОТЛА	МАКСИМАЛЬНАЯ ДЛИНА	ИСПОЛЬЗОВАТЬ ДИАФРАГМУ НА ВОЗДУХОВОДЕ (A)
	(m)	
BOYLER DIGIT 240/40 Fi - 240/60 Fi	0,5	73
	0,5 ÷ 2	80
	2 ÷ 4	NO
BOYLER DIGIT 280/60 Fi	0 ÷ 1	76
	1 ÷ 4	NO

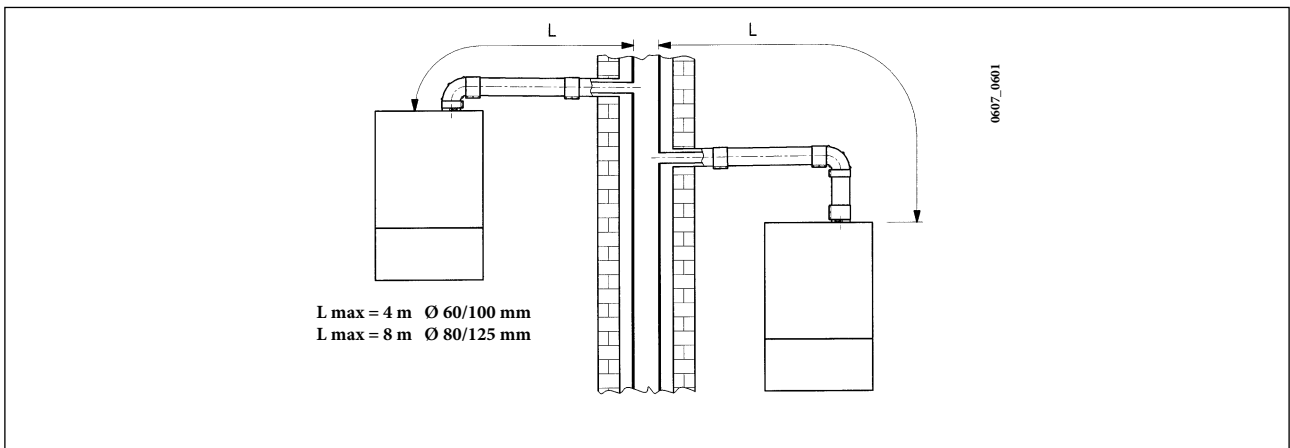
Если выход дымохода расположен снаружи, воздуховод должен выступать из стены не менее чем на 18 мм с тем, чтобы на него герметично установить алюминиевую погодную насадку во избежание попадания воды. Обеспечьте наклон трубы в сторону улицы - 1см на каждый метр ее длины.

90° изгиб сокращает возможную полную длину трубы на 1 м.
45° изгиб сокращает возможную полную длину трубы на 0,5 м.

16.1 ВАРИАНТЫ ГОРИЗОНТАЛЬНОЙ УСТАНОВКИ НАКОНЕЧНИКА ДЫМОХОДА

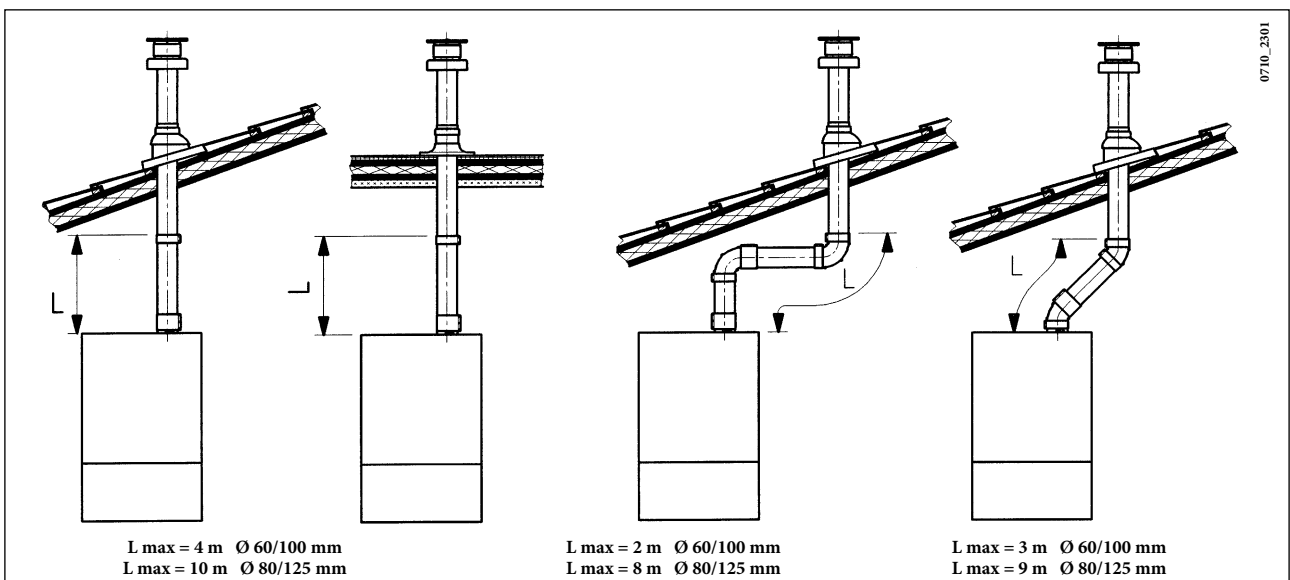


16.2 ВАРИАНТЫ УСТАНОВКИ ПРИ ПРИСОЕДИНЕНИИ К ОБЩЕМУ ДЫМОХОДУ (LAS - СИСТЕМА)



16.3 ВАРИАНТЫ ВЕРТИКАЛЬНОЙ УСТАНОВКИ НАКОНЕЧНИКА ДЫМОХОДА

Такая установка может быть выполнена как на плоской, так и на наклонной крыше путем закрепления наконечника с соответствующей погодной насадкой и рукавом (дополнительные аксессуары поставляются по требованию).



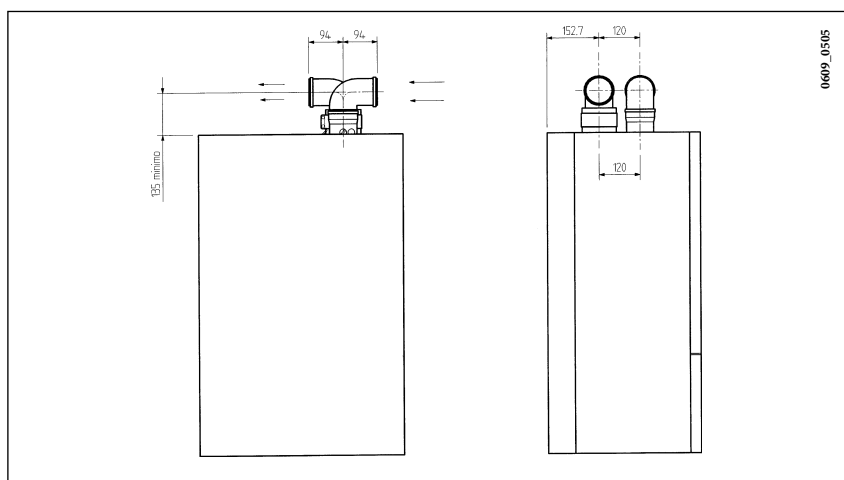
Подробные инструкции об установке аксессуаров см. в прилагаемых к ним технических сведениях.

система притока воздуха и отвода продуктов сгорания по двум отдельным трубам.

Этот тип установки позволяет отводить продукты сгорания, как через стену, так и в коллективный дымоход. Приток воздуха для сгорания может осуществляться также с другой стороны, чем та, куда выходит дымоход. Разделительный комплект состоит из дымоходного переходника (100/80) и переходника для воздуховода. Переходник для воздуховода закрепите винтами с уплотнителями, вынутыми ранее из дымового колпака. При установке системы с отдельными трубами забор воздуха - отвода продуктов сгорания ограничитель (диафрагму) следует удалить.

ПРИМЕЧАНИЕ: *Первое колено в 90° не учитывать при подсчете максимально допустимой длины.*

Колено 90° позволяет присоединять котел к трубам забор воздуха - отвода продуктов сгорания в любом направлении благодаря возможности вращения на 360°. Данное колено может быть также использовано как дополнительный элемент при сборе системы или вместе с коленом на 45°.



- *Колено 90° сокращает максимальную общую длину труб на 0,5 м.*
- *Колено 45° сокращает максимальную общую длину труб на 0,25 м.*

Регулировка проема в трубе забор воздуха

Данная настройка нужна для повышения производительности котла и параметров сгорания. Муфту забор воздуха можно поворачивать для регулировки потока воздуха в зависимости от суммарной длины воздуховода и дымохода.

Для уменьшения потока воздуха поверните муфту по часовой стрелке, для увеличения потока воздуха против часовой стрелки.

Для оптимальной настройки можно использовать анализатор продуктов сгорания, измеряющий содержание CO₂ в продуктах сгорания при максимальной мощности. Если содержание CO₂ низкое, подачу воздуха постепенно регулируют, добиваясь содержания CO₂, приведенного в таблице.

Для правильного подключения и использования анализатора воспользуйтесь прилагаемым к нему руководством.

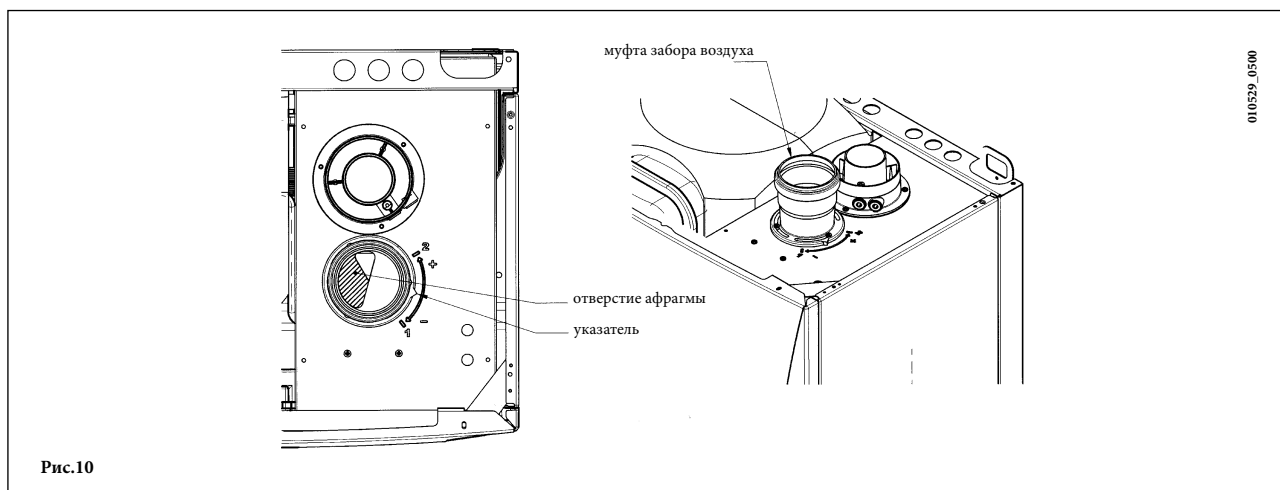


Рис.10

	МАКСИМАЛЬНАЯ ДЛИНА	ПОЛОЖЕНИЕ РЕГУЛЯТОРА	СОДЕРЖАНИЕ CO ₂ %		
	L1+L2 (m)	AFR	G20	G30	G31
240/40 Fi - 240/60 Fi	0 ÷ 20	1	6,7	8,7	8,7
	20 ÷ 30	2			
280/60 Fi	0 ÷ 20	1	6,0	8,0	8,0
	20 ÷ 30	2			

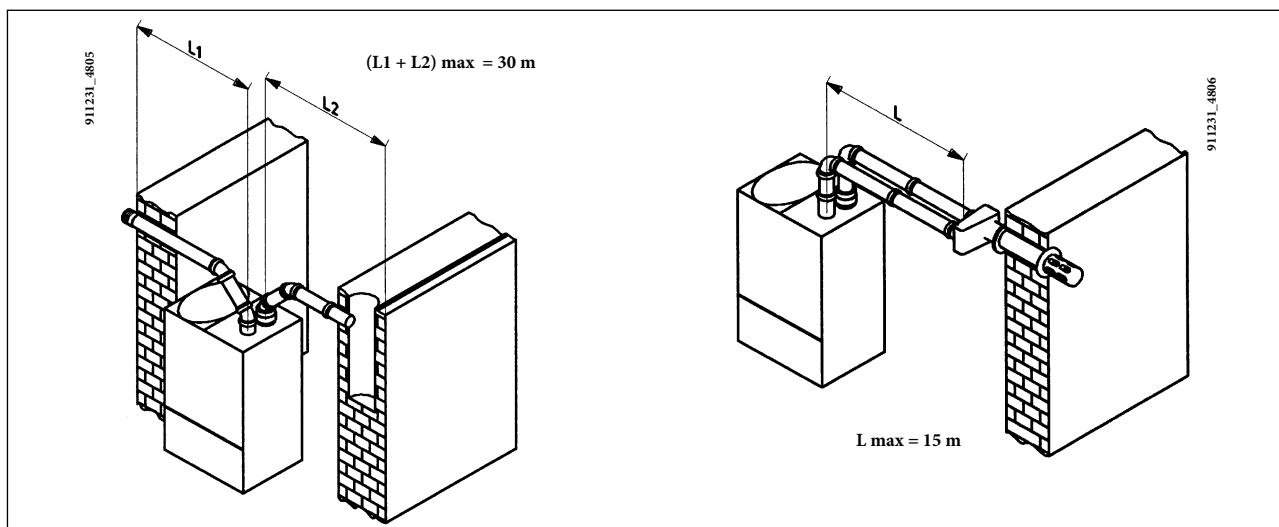
ВАЖНО: При расположении труб типа C52 наконечники для притока воздуха и выхода продуктов сгорания никогда не должны находиться на противоположных сторонах здания.. Общая длина труб притока воздуха не должна превышать 10 метров.

При длине дымохода более 6 м комплект для сбора конденсата (поставляется дополнительно) должен монтироваться в непосредственной близости от котла.

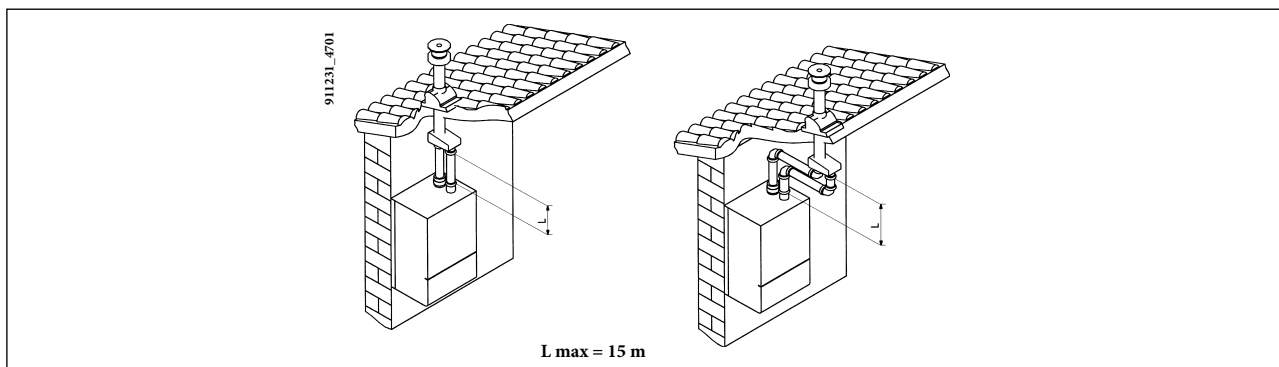
ПРИМЕЧАНИЕ: При установке дымохода убедитесь, что труба хорошо изолирована (напр., стекловолокном) в месте прохода трубы сквозь стену здания. Подробные инструкции об установке труб смотри в руководствах, прилагаемых к комплектам.

16.4 ВАРИАНТЫ ДЫМОУВОДЯЩЕЙ СИСТЕМЫ ПО РАЗДЕЛЬНЫМ ТРУБАМ С ГОРИЗОНТАЛЬНЫМИ НАКОНЕЧНИКАМИ

ВАЖНО: Необходимо обеспечить горизонтальный наклон труб в наружную сторону не менее 1 см на каждый метр длины. При установке комплекта для сбора конденсата дренажная труба должна быть наклонена в сторону котла.



16.5 ВАРИАНТЫ ДЫМОУВОДЯЩЕЙ СИСТЕМЫ ПО РАЗДЕЛЬНЫМ ТРУБАМ С ВЕРТИКАЛЬНЫМИ НАКОНЕЧНИКАМИ



17. ПОДКЛЮЧЕНИЕ К ЭЛЕКТРОПИТАНИЮ

Электробезопасность котла гарантируется только при правильном заземлении в соответствии с действующими нормативами.

С помощью прилагаемого трехжильного кабеля подключите котел к однофазной сети переменного тока 230В с заземлением. Убедитесь в соблюдении правильной полярности.

Используйте двухполюсный выключатель с расстоянием между разомкнутыми контактами не менее 3мм.

При замене сетевого кабеля рекомендуется использовать кабель сечением 3х0.75 мм² и максимальным диаметром 8мм

доступ к клеммной колодке электропитания M1.

- двухполюсным выключателем отключите подачу питания к котлу;
- отвинтите два винта, крепящих панель управления к котлу;
- поверните панель управления;
- для доступа к контактам снимите крышку (рис.11).

В клеммную колодку встроены плавкие предохранители на 2А (для их проверки или замены выньте черный держатель предохранителя).

Обозначение клемм:

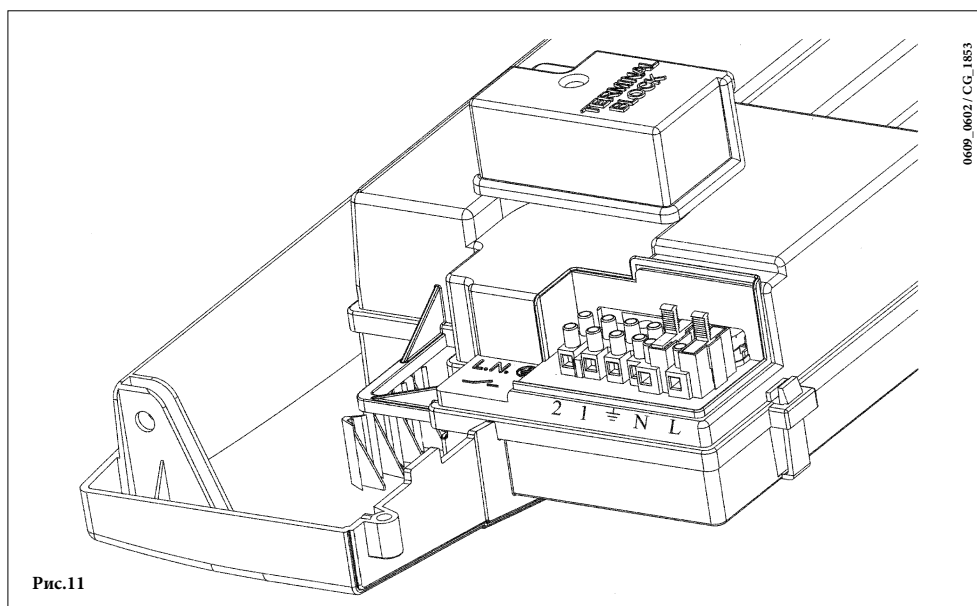
(L) = фаза (коричневый провод)

(N) = нейтраль (голубой провод)

(⊕) = земля (желто-зеленый)

(1) (2) = клеммы подключения комнатного термостата

ВНИМАНИЕ: убедитесь в соблюдении правильной полярности L(фаза) - N(нейтраль).



ПРЕДУПРЕЖДЕНИЕ

В случае прямого подключения котла к системе тёплых полов необходимо установить ограничительный термостат для защиты системы от перегрева.

18. ПОДСОЕДИНЕНИЕ КОМНАТНОГО ТЕРМОСТАТА

- Открыть доступ к клеммам подключения электропитания (рис. 11), в соответствии с инструкциями, изложенными в предыдущем разделе;
- снять перемычку с клемм 1 и 2 клеммной колодки;
- протянуть кабель из двух проводов через кабельный зажим котла и присоединить кабель, идущий от термостата, к клеммам (1) и (2);
- включить электропитание котла.

19. ПЕРЕВОД КОТЛА НА ДРУГОЙ ТИП ГАЗА

Котлы могут быть переведены на другой тип газа (G20 - метан, G30 - сжиженный газ - бутан, G31- сжиженный газ - пропан) техническими специалистами обслуживающей организации.

Для перевода котла на другой тип газа необходимо выполнить следующие операции:

- А) Заменить форсунки горелки.
- В) Изменить напряжение на модуляторе
- С) Выполнить все операции по настройкам давления газа.

А) Замена форсунок горелки.

- Аккуратно вытащите горелку;
- При замене форсунок горелки следите за тем, чтобы они были затянуты до упора с использованием соответствующих медных прокладок; при замене форсунок изучите приведенную ниже таблицу 1 для нужного типа газа.

Заменить диафрагму (для котлов 240/40 i - 240/60 i - 240/40 Fi и 240/60 Fi), для этого:

- снять трубку подачи газа (поз.1 на Рис.126);
- заменить диафрагму, установленную на газовом клапане (поз.2 на Рис.126);
- установить на место трубку подачи газа.

В) Изменение напряжение на модуляторе

- установите параметр F02 в зависимости от типа газа, как описано в главе 21.

С) Операции по настройке давления газа

- На котлах с закрытой камерой сгорания необходимо снять переднюю панель, отвинтив соответствующие крестовые винты (для того, чтобы избежать погрешности в измерениях, связанной с герметичной камерой сгорания). Аналогичные результаты измерений можно получить при подсоединении отрицательного входа дифференциального манометра через тройниковый отвод к компенсационному выходу газового клапана P_c;

Открутить винт на штуцере P_b (рис. 12а) и присоединить к штуцере P_b манометр. Для моделей 240 i/Fi использовать штуцер (3) расположенный на трубе подачи газа (Рис.12 б).

С1) Регулировка давления при максимальной мощности:

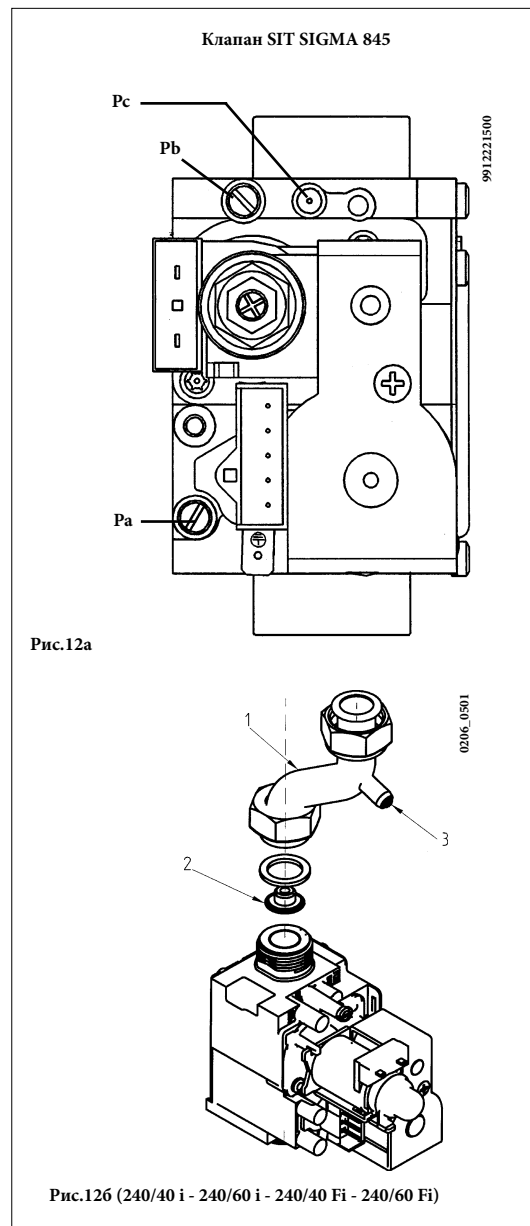
- Открыть газовый кран и нажимая кнопку Φ (глава 3.2) установить переключатель режимов в положение «зима» и подождать до включения котла. Убедиться, что котел работает на максимальной мощности.
- Проверить давление газа на горелке согласно таблице 1 для соответствующей модели котла и соответствующего типа газа. При необходимости снять крышку модулятора и поворачивать латунный винт ключом до достижения давления, указанного в таблице 1 для соответствующей модели котла и соответствующего типа газа.
- Проверить динамическое входное давление газа (штуцер P_a, рис. 13). Номинальные давления: **20 мбар** для природного газа, **37 мбар** для пропана или **30 мбар** для бутана).
- Открутить винт на штуцере (P_a, рис. 12а) и присоединить к штуцере (P_a) манометр.

С2) Регулировка давления при минимальной мощности:

- Отсоединить провод питания модулятора. Котел перейдет в режим минимальной мощности. Проверить давление газа на горелке согласно таблице 1 для соответствующей модели котла и соответствующего типа газа. При необходимости поворачивать красный винт до достижения давления, указанного в таблице 1 для соответствующей модели котла и соответствующего типа газа.
- Присоединить на место провод питания модулятора и установить на место крышку модулятора.
- Выключить котел и закрыть газовый кран.
- Отсоединить манометр и закрутить винт на штуцере
- Выключить котел и закрыть газовый кран.
- Закрывать электрическую коробку.

С3) Заключительные проверки

- Закройте панель управления.
- Наклейте новую табличку с указанием типа газа и характеристик проведенной настройки.
- Установите на место переднюю панель.



Давление на горелках - Полезная тепловая мощность - Параметры форсунок

Тип газа	240/40 i - 240/60 i			240/40 Fi - 240/60 Fi			280/60 i			280/60 Fi		
	G20	G30	G31	G20	G30	G31	G20	G30	G31	G20	G30	G31
Диаметр форсунок (мм)	1,18	0,69	0,69	1,18	0,69	0,69	1,18	0,69	0,69	1,18	0,69	0,69
Давление на горелке (мбар*)												
минимальная мощность (мбар)	1,6	3,9	6,9	1,6	3,9	6,9	1,6	3,8	5,7	1,7	4,3	5,9
Давление на горелке (мбар*)												
максимальная мощность(мбар)	7,7	19,8	25,6	8,1	20,6	26,3	10,3	27,6	35,4	10,6	28,1	35,6
№1 диаметр диафрагмы	4,5	3,5	3,5	4,5	3,5	3,5	-	-	-	-	-	-
Число форсунок	18											

1 мбар = 10,197 мм Н₂O

Таблица 1

Потребление газа (при 15°C, 1013 мбар)

	240/40 i - 240/60 i			280/60 i		
	G20	G30	G31	G20	G30	G31
максимальная мощность	2,87 м ³ /h	2,14 Кг/h	2,11 Кг/h	3,29 м ³ /h	2,45 Кг/h	2,42 Кг/h
минимальная мощность	1,26 м ³ /h	0,94 Кг/h	0,92 Кг/h	1,26 м ³ /h	0,94 Кг/h	0,92 Кг/h
р.с.і.	34,02 MJ/m ³	45,60 MJ/Kg	46,30 MJ/Kg	34,02 MJ/m ³	45,60 MJ/Kg	46,30 MJ/Kg

Таблица 2


Потребление газа (при 15°C, 1013 мбар)	240/40 Fi - 240/60 Fi			280/60 Fi		
	G20	G30	G31	G20	G30	G31
максимальная мощность	2,78 м ³ /h	2,07 Кг/h	2,04 Кг/h	3,18 м ³ /h	2,37 Кг/h	2,34 Кг/h
минимальная мощность	1,26 м ³ /h	0,94 Кг/h	0,92 Кг/h	1,26 м ³ /h	0,94 Кг/h	0,92 Кг/h
р.с.і.	34,02 MJ/m ³	45,60 MJ/Kg	46,30 MJ/Kg	34,02 MJ/m ³	45,60 MJ/Kg	46,30 MJ/Kg

Таблица 2

20. ВЫВОД ИНФОРМАЦИИ НА ДИСПЛЕЙ КОТЛА

20.1 ИНФОРМАЦИЯ ПРИ ПУСКЕ КОТЛА

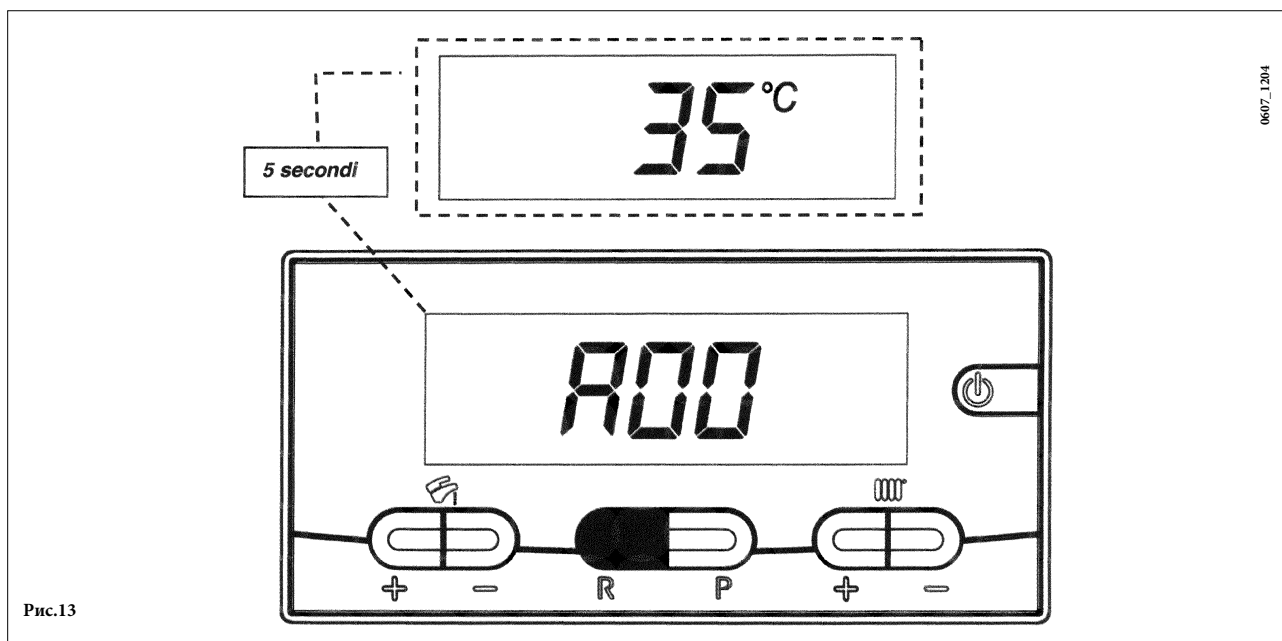
Для правильного пуска котла действовать следующим образом:

- Подключить котел к электросети.
Когда котел подключен к электропитанию, в течение первых 10 сек на дисплей панели управления последовательно выводится следующая информация:
 1. загораются все символы;
 2. информация производителя;
 3. информация производителя;
 4. информация производителя;
 5. тип котла и используемый газ (например. $\square \sqcap$).
Данные символы означают:
 \square = котел с открытой камерой сгорания \square = котел с закрытой камерой сгорания;
 \sqcap = используемый газ ПРИРОДНЫЙ \sqcup = используемый газ СЖИЖЕННЫЙ.
 - 6. установка гидравлического контура;
 - 7. версия программного обеспечения (две цифры x.x);
- открыть газовый кран;
 - нажать кнопку  (примерно 2 сек) чтобы установить режим работы котла (см. параграф 3.2).

20.2 ИНФОРМАЦИЯ О РАБОТЕ КОТЛА

Для вывода на дисплей информации о работе котла, действовать следующим образом:

- Держать нажатой кнопку **R** не менее 6 сек. Когда функция активна, на дисплее появляется надпись «A00» (...«A07»), которая сменяется соответствующим значением (Рис 13);



- Действовать кнопками +/- регулирования температуры горячей бытовой воды (☞) для получения следующей информации:

A00: действующее значение (°C) температуры горячей бытовой воды (система ГВС);

A01: действующее значение (°C) температуры на улице (при подсоединенном датчике уличной температуры);

A02: значение (%) силы тока на модуляторе (100% = 230мА для метана, 100% = 310 мА для сжиженного газа);

A03: значение (%) мощности (MAX R) - Параметр F13 (глава 21);

A04: заданное значение (°C) температуры на подаче в систему отопления;

A05: действующее значение (°C) температуры воды на подаче в контур отопления;

A06: не используется;

A07: значение (%) тока ионизации (8-100%).

ВНИМАНИЕ: значения A08 - A09 не используются.

- функция "INFO" остается активной в течение 3 мин. Для выхода из данного режима раньше этого времени нажать кнопку ⏻.

20.3 ИНФОРМАЦИЯ О НЕИСПРАВНОСТЯХ

ПРИМЕЧАНИЕ: Возможно осуществить только 5 попыток перезапуска котла, затем котел блокируется. Для осуществления новой попытки перезапуска котла действовать следующим образом:

- нажать на кнопку ⏻ и выбрать "ВЫКЛЮЧЕНО" как описано в главе 3.2);
- нажимать примерно 2 сек кнопку R на дисплее появится надпись "OFF";
- заново установить режим работы котла, как описано в главе 3.2.

Коды и описания неисправностей приведены в главе 9.

20.4 ДОПОЛНИТЕЛЬНАЯ ИНФОРМАЦИЯ

Для дополнения технической информации следует проконсультироваться с документом "ИНСТРУКЦИИ ДЛЯ ОБСЛУЖИВАНИЯ".

Настройка минимального давления

- Отсоединить провод питания модулятора. Котел перейдет в режим минимальной мощности. Проверить давление газа на горелке согласно таблице 1 для соответствующей модели котла и соответствующего типа газа. При необходимости поворачивать красный винт до достижения давления, указанного в таблице 1 для соответствующей модели котла и соответствующего типа газа.
- Присоединить на место провод питания модулятора и установить на место крышку модулятора.
- Выключить котел и закрыть газовый кран.
- Отсоединить манометр и закрутить винт на штуцере

19.3 ПЕРЕВОД КОТЛА НА ДРУГОЙ ТИП ГАЗА

Котлы могут быть переведены на другой тип газа (G20 - метан, G30 - сжиженный газ - бутан, G31- сжиженный газ - пропан) техническими специалистами обслуживающей организации.

Для перевода котла на другой тип газа необходимо выполнить следующие операции:

- Открыть и снять переднюю панель котла.
- Заменить форсунки горелки. При замене форсунок горелки следите за тем, чтобы они были затянуты до упора с использованием соответствующих медных прокладок; при замене форсунок изучите приведенную ниже таблицу 2 для нужного типа газа.
- Заменить диафрагму (для котлов 240 i и 240 Fi), для этого:
 - 1) снять трубку подачи газа (поз.1 на Рис.126);
 - 2) заменить диафрагму, установленную на газовом клапане (поз.2 на Рис.126);
 - 3) установить на место трубку подачи газа.
- Изменить напряжение на модуляторе, установив параметр F02 в зависимости от типа газа, как описано в главе 21.
- Выполнить все операции по настройкам давления газа, указанные в § 19.1 и 19.2.
- Закрыть электрическую коробку.
- Наклеить на котел этикетку, соответствующую используемому типу газа и выполненной регулировке.
- Установить на место переднюю панель.

Заключительные проверки

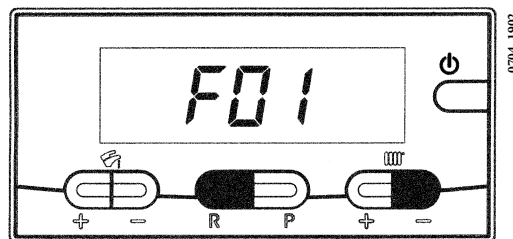
- Закройте панель управления.
- Уберите манометры и закройте точки отбора давления.
- Наклейте новую табличку с указанием типа газа и характеристик проведенной настройки.
- Установите на место переднюю панель.

21. УСТАНОВКА ПАРАМЕТРОВ

Для установки параметров котла нажимать одновременно не менее 6 сек кнопку (*) и кнопку - (⏏) Когда функция активна, на дисплее появится надпись «F01», которая сменяется значением данного параметра.

Изменение параметров:

- для просмотра параметров действовать кнопками +/- ⏏;
- для изменения единичного параметра действовать кнопками +/- ⏏;
- для запоминания измененного значения параметра нажать кнопку R, на дисплее появится надпись “MEM”;
- для выхода из функции без запоминания нажать кнопку ⏏, на дисплее появится надпись “ESC”.



	Описание параметров	Значение, установленное на заводе			
		240/40 Fi - 240/60 Fi	240/40 i - 240/60 i	280/60 i	280/60 Fi
F01	Тип котла 10 = с закрытой камерой сгорания - 20 = открытой камерой сгорания	10	20	20	10
F02	Тип используемого газа 00 = ПРИРОДНЫЙ ГАЗ (МЕТАН) - 01 = сжиженный газ (пропан)	00 или 01			
F03	Гидравлическая система	06			
F04	Установка программируемого реле 1 (02 = зональное оборудование - См. инструкции по эксплуатации)	02			
F05	Установка программируемого реле 2 (См. инструкции по эксплуатации)	04			
F06	Конфигурация входного устройства датчика уличной температуры (См. инструкции по эксплуатации)	00			
F07...F12	Информация производителя	00			
F13	Максимальная полезная мощность системы отопления (0-100%)	100			
F14	Максимальная полезная мощность системы ГВС (0-100%)	100			
F15	Минимальная полезная мощность системы отопления (0-100%)	00			
F16	Установка максимальной температуры (°C) системы отопления 00 = 85°C - 01 = 45°C	00			
F17	Время постциркуляции насоса системы отопления (01-240 мин)	03			
F18	Время ожидания горелки между двумя включениями (00-10 мин) - 00=10 сек	03			
F19	Информация производителя	07			
F20	Информация производителя	00			
F21	Функция анти-легионелла 00 = выключено - 01 = Включено	00			
F22	Информация производителя	00			
F23	Максимальная температура горячей санитарной воды	65			
F24	Информация производителя	35			
F25	Предохранительное устройство - недостаток воды	01			
F26...F29	Информация производителя (параметры только для чтения)	--			
F30	Информация производителя	10			
F31	Информация производителя	00			
F32...F41	Диагностика (См. инструкции по эксплуатации)	--			
Последний параметр	Активация функции калибровки (См. инструкции по эксплуатации)	0			

ВНИМАНИЕ: не изменяйте значения параметров «Информация производителя».

22. УСТРОЙСТВА РЕГУЛИРОВАНИЯ И ПРЕДОХРАНИТЕЛЬНЫЕ УСТРОЙСТВА

Котел спроектирован в полном соответствии с европейскими нормами и содержит следующие устройства:

- **Датчик тяги (пневмореле) (в моделях 240/40 Fi - 240/60 Fi - 280/60 Fi)**
Данное устройство обеспечивает включение основной горелки при условии исправной работы вытяжного дымохода.
Данное устройство отключает основную горелку при следующих неисправностях:
 - загорожен выход дымохода;
 - засорена трубка Вентури;
 - не работает вентилятор;
 - нет контакта между трубкой Вентури и датчиком тяги

котел остается в режиме ожидания, на дисплей выводится код неисправности E03 (см. таблицу главы 9).

- **Термостат – датчик тяги (модели 240/40 i - 240/60 i - 280/60 i)**
данное устройство расположено в левой части вытяжного колпака, и перекрывает подачу газа к основной горелке, если засорился дымоход или нет тяги по другой причине.
При этом котел останавливается. После устранения причины, вызвавшей блокировку, возможно повторное включение (см. таблицу главы 9).
- **Термостат перегрева**
благодаря датчику, установленному на выходной трубе первичного теплообменника, в случае перегрева воды первичного контура прекращается подача газа в горелку. При этом котел останавливается. После устранения причины, вызвавшей блокировку, возможно повторное включение (см. таблицу главы 9).

Запрещается отключать данное предохранительное устройство!

- **Датчик ионизации пламени**
Электрод для определения наличия пламени, расположенный с правой части горелки, гарантирует безопасность работы и блокирует котел при нарушении подачи газа или неполном горении основной горелки.
Для возобновления нормальной работы см. таблицу главы 9.
- **Гидравлический дифференциальный пресостат**
Данное устройство входит в гидравлическую группу; пресостат обеспечивает включение горелки только при условии эффективной работы насоса и защищает от выхода из строя вторичный теплообменник в случае отсутствия воды или при блокировке насоса.
- **Постциркуляция насоса контура отопления**
Постциркуляция насоса, контролируемая электронной системой управления котла, продолжается 3 мин, когда котел находится в режиме обогрева и осуществляется при каждом выключении горелки по сигналу комнатного термостата.
- **Устройство защиты от замерзания**
Электронная система управления котла имеет функцию защиты «от замерзания» в контуре отопления, которая при температуре воды на подаче ниже 5°C включает горелку до достижения на подаче температуры, равной 30°C. Данная функция работает, если к котлу подключено электричество, кран подачи газа открыт и если давление в системе соответствует предписанному.
- **Функция «анти-легионелла»**
Функция «анти-легионелла» не активна.
Для активации данной функции установите параметр F21 = 01 (см. параграф 21). Когда функция активна, электронное управление котла раз в неделю нагревает воду, содержащуюся в бойлере, до температуры выше 60°C (функция работает, только если вода в бойлере в предыдущие 7 дней не нагревалась выше 60°C).
- **Защита от блокировки насоса**
Если котел не работает в течение 24 часов подряд (на контур отопления и приготовления бытовой горячей воды), насос включается автоматически на 10 сек. Данная функция работает, если к котлу подключено электричество.
- **Защита от блокировки трехходового клапана**
Если котел не работает на контур отопления в течение 24 часов подряд, трехходовый клапан осуществляет одно полное переключение. Данная функция работает, если к котлу подключено электричество.
- **Водяной сбросной клапан системы отопления**
настроен на давление 3 бар и установлен в системе отопления.
- **Водяной сбросной клапан системы ГВС**
настроен на давление 8 бар и установлен в системе ГВС (в бойлере).

Сбросной клапан должен быть присоединен к дренажной системе через воронку. Категорически воспрещается использовать его для слива воды из системы отопления.

23. РАСПОЛОЖЕНИЕ ЭЛЕКТРОДА ЗАЖИГАНИЯ И ЭЛЕКТРОДА-ДАТЧИКА ПЛАМЕНИ

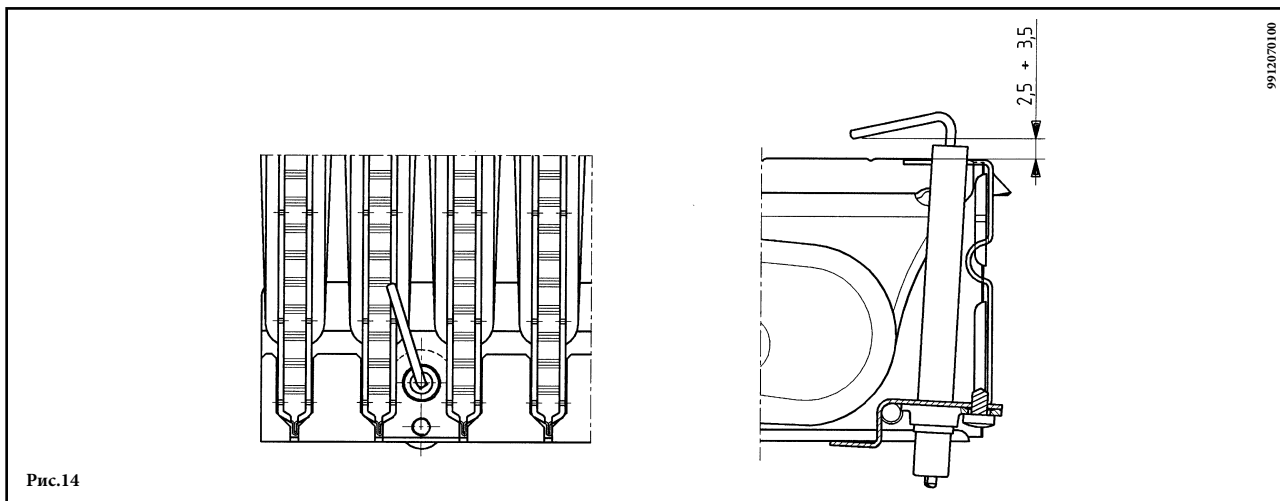


Рис.14

24. КОНТРОЛЬ ОТХОДЯЩИХ ГАЗОВ

При необходимости контроля отходящих газов котлы с принудительной тягой имеют две точки замера, расположенных на коаксиальной входной муфте.

Одна из них находится на вытяжном дымоходе и позволяет контролировать соответствие отходящих газов гигиеническим нормам.

Вторая точка замера находится на трубе забора воздуха и позволяет определить наличие продуктов сгорания в забираемом воздухе при использовании коаксиальной системы труб.

В точках замера определяют:

- температуру продуктов сгорания
- содержание кислорода (O_2) или, наоборот, двуокиси углерода (CO_2)
- содержание окиси углерода (CO).

Температура подаваемого воздуха определяется в точке замера на подаче воздуха в коаксиальной входной муфте.

Если необходим контроль отходящих газов в моделях с естественной тягой в, то в дымоходе следует проделать отверстие на расстоянии от котла, равном двум внутренним диаметрам трубы.

В точке замера определяют:

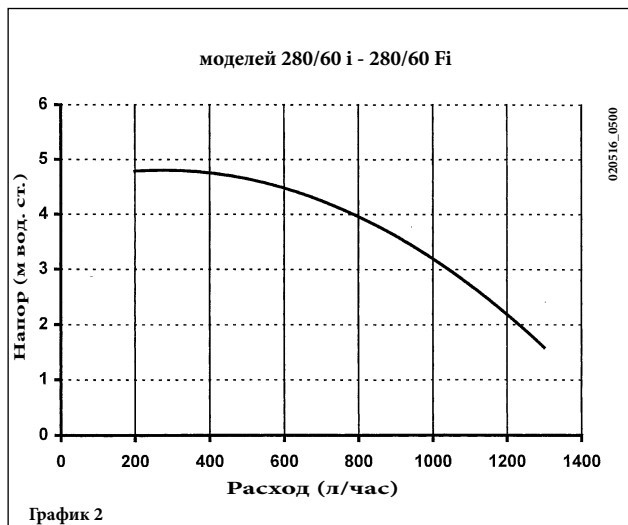
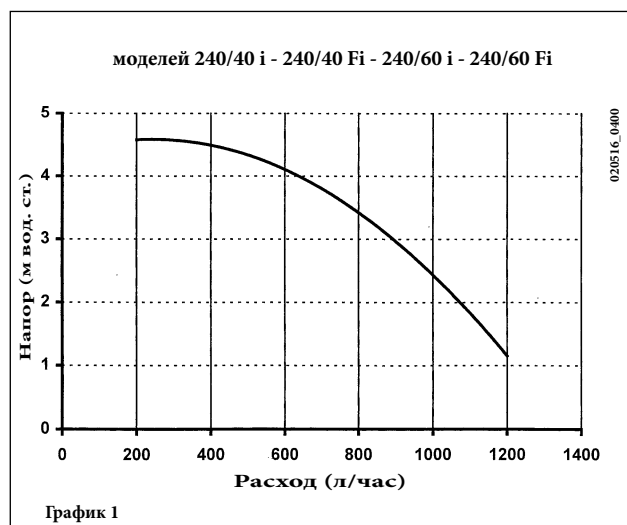
- температуру продуктов сгорания
- содержание кислорода (O_2) или, наоборот, двуокиси углерода (CO_2)
- содержание окиси углерода (CO).

Замер температуры поступающего воздуха проводится рядом с местом входа воздуха в котел.

Отверстие проделывается установщиком при первоначальной установке агрегата и должно быть затем герметично заделано, чтобы избежать просачивания продуктов сгорания при нормальной работе.

25. ХАРАКТЕРИСТИКИ РАСХОД/НАПОР

Высокопроизводительный насос подходит для установки в любой отопительной одноконтурной или двухконтурной системе. Встроенный в него клапан воздухоотводчик позволяет эффективно удалять находящийся в отопительной системе воздух. Нижеприведенные характеристики уже учитывают гидравлическое сопротивление элементов котла.



ПРИМЕЧАНИЕ: В модели Boyler Digit 240 может быть установлен насос увеличенной мощности с характеристиками, аналогичными характеристикам насоса для модели Boyler Digit 280.

26. СЛИВ ВОДЫ ИЗ БОЙЛЕРА

Для слива воды из бойлера необходимо:

- закрыть кран на входе холодной воды в котел;
- открыть кран горячей воды смесителя;
- открыть кран слива бойлера (Рис.15);
- плавно отвернуть гайку на выходной трубе ГВС бойлера.

27. РАСШИРИТЕЛЬНЫЙ БАК СИСТЕМЫ ГВС (ЗАКАЗЫВАЕТСЯ ОТДЕЛЬНО)

В комплект расширительного бака входят:

- 1 стальной расширительный бак;
- 1 крепление для расширительного бака;
- 1 гибкий шланг;
- 1 трубка \varnothing 8 для подсоединения расширительного бака системы ГВС.

Подсоедините гибкий шланг (входит в комплект поставки) к местам подсоединений А и В как показано на Рис.15.

Установка расширительного бака системы ГВС желательна в следующих случаях:

- давление в системе водоснабжения превышает 4 бар и требуется установка редуктора давления;
- на входе холодной воды в котел установлен обратный клапан;
- общая протяженность сети холодного водоснабжения недостаточна для расширения воды, содержащейся в бойлере, и необходимо использовать расширительный бак системы ГВС.

Рекомендация

Для эффективной работы расширительного бака давление в системе водоснабжения должно быть ниже 4 бар. В противном случае установите редуктор давления. Он должен быть отрегулирован так, чтобы давление холодной воды на входе в котел было ниже 4 бар.

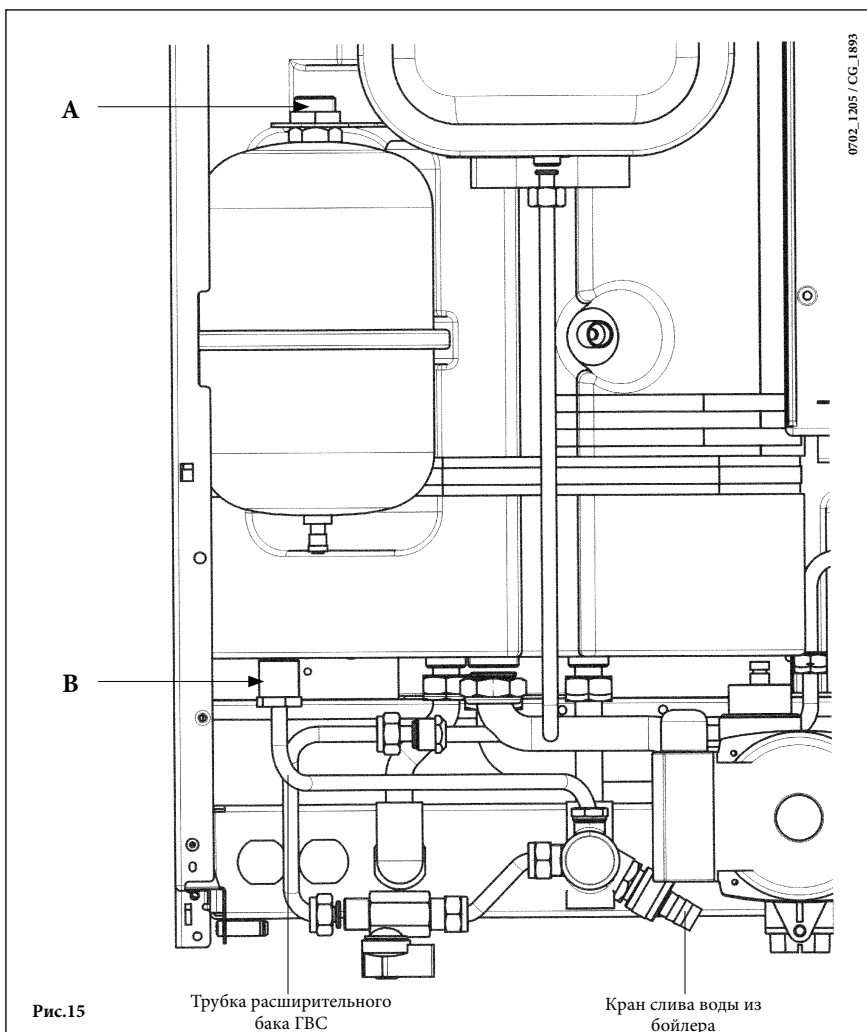


Рис.15

Трубка расширительного бака ГВС

Кран слива воды из бойлера

Если жесткость воды выше значения 25° F (где 1° F = 10 мг CaCO₃ на 1 литр воды) следует установить полифосфатный дозатор или подобную систему для умягчения воды, которая соответствует действующим нормативам.

28. ПРИСОЕДИНЕНИЕ ДАТЧИКА УЛИЧНОЙ ТЕМПЕРАТУРЫ

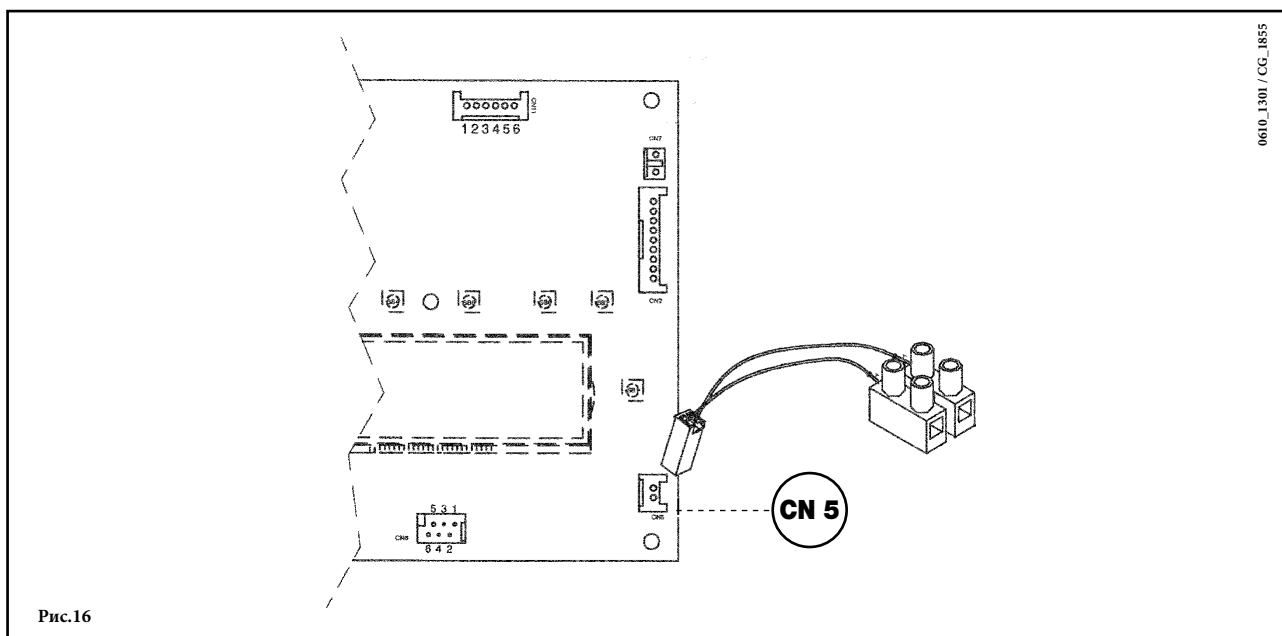
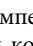


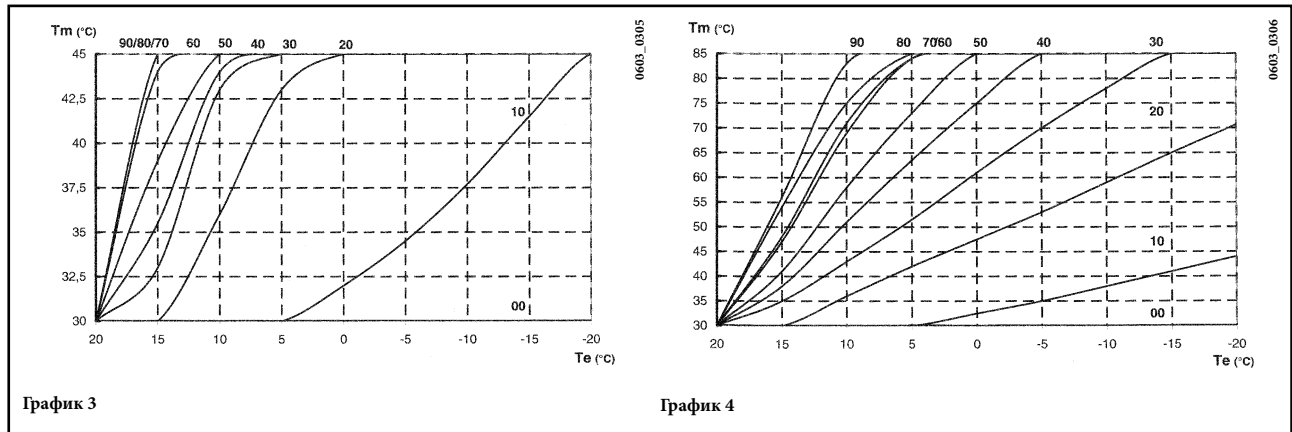
Рис.16

В котле предусмотрена возможность присоединения датчика наружной температуры (поставляется отдельно). Для присоединения руководствуйтесь приведенным ниже рисунком и инструкцией, прилагаемой к датчику.

При подсоединенном датчике уличной температуры с помощью кнопок  регулирования температуры на подаче в систему отопления можно установить заданный коэффициент дисперсии Kt (1...90). На графиках 3 и 4 приведена зависимость между значением коэффициента Kt и соответствующей кривой. Могут быть установлены также промежуточные значения коэффициента.

ВНИМАНИЕ: Значение температуры на подаче в систему отопления ТМ зависит от значения параметра F16 (глава 21). Таким образом, максимальная установленная температура может быть 85 или 45°C.

Кривые K REG



ТМ = температура воды на подаче в систему отопления
 Те = температура наружного воздуха

29. ЭЛЕКТРИЧЕСКОЕ ПРИСОЕДИНЕНИЕ ДИСТАНЦИОННОГО УПРАВЛЕНИЯ

(ЗАКАЗЫВАЕТСЯ ОТДЕЛЬНО)

Дистанционное управление не входит в комплект поставки котла и заказывается отдельно. Открыть приборный щиток электронной платы и присоединить провод (поставляется вместе с двухполюсной клеммной колодкой) к коннектору CN7 электронной платы котла. Присоединить контакты дистанционного управления к двухполюсной клеммной колодке (Рис.17).

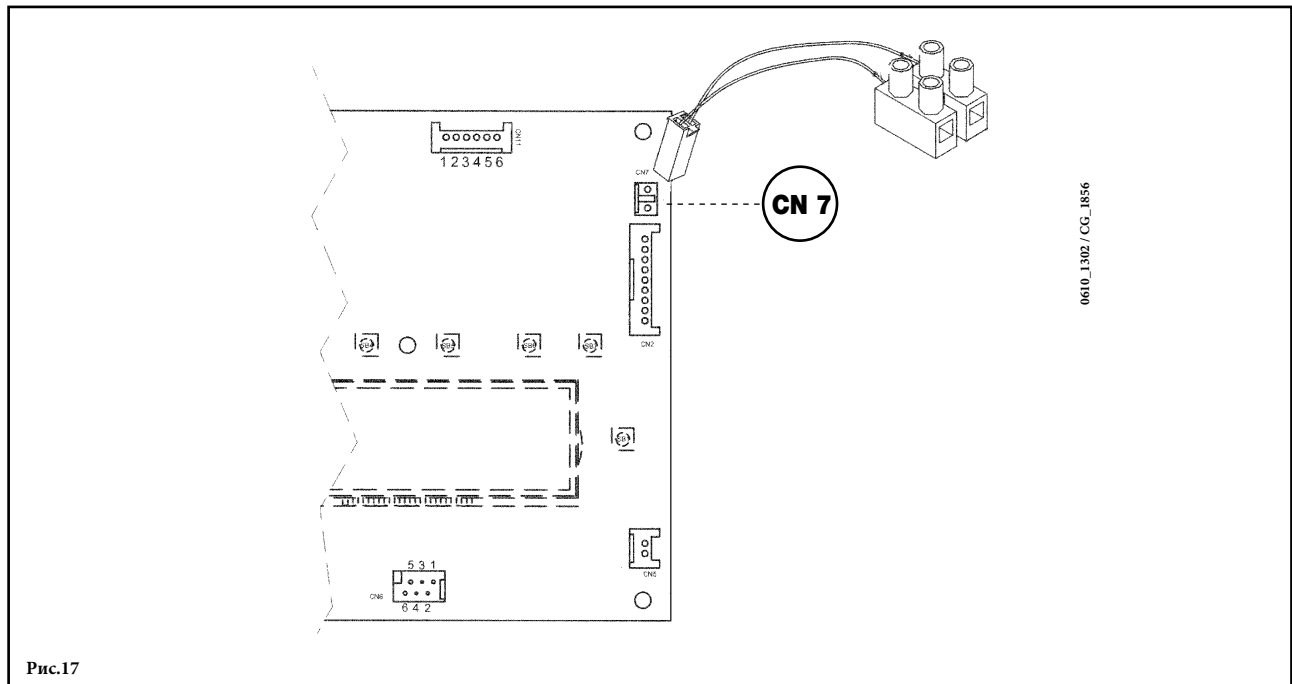


Рис.17

30. ЭЛЕКТРИЧЕСКОЕ ПРИСОЕДИНЕНИЕ ЗОНАЛЬНОГО ОБОРУДОВАНИЯ

30.1 ПРИСОЕДИНЕНИЕ РЕЛЕЙНОЙ ПЛАТЫ

Релейная плата не входит в комплект поставки котла и заказывается отдельно.

Присоедините клеммы 1-2-3 коннектора CN1 релейной платы к клеммам 10-9-8 клеммной колодки M2 (Рис.18).

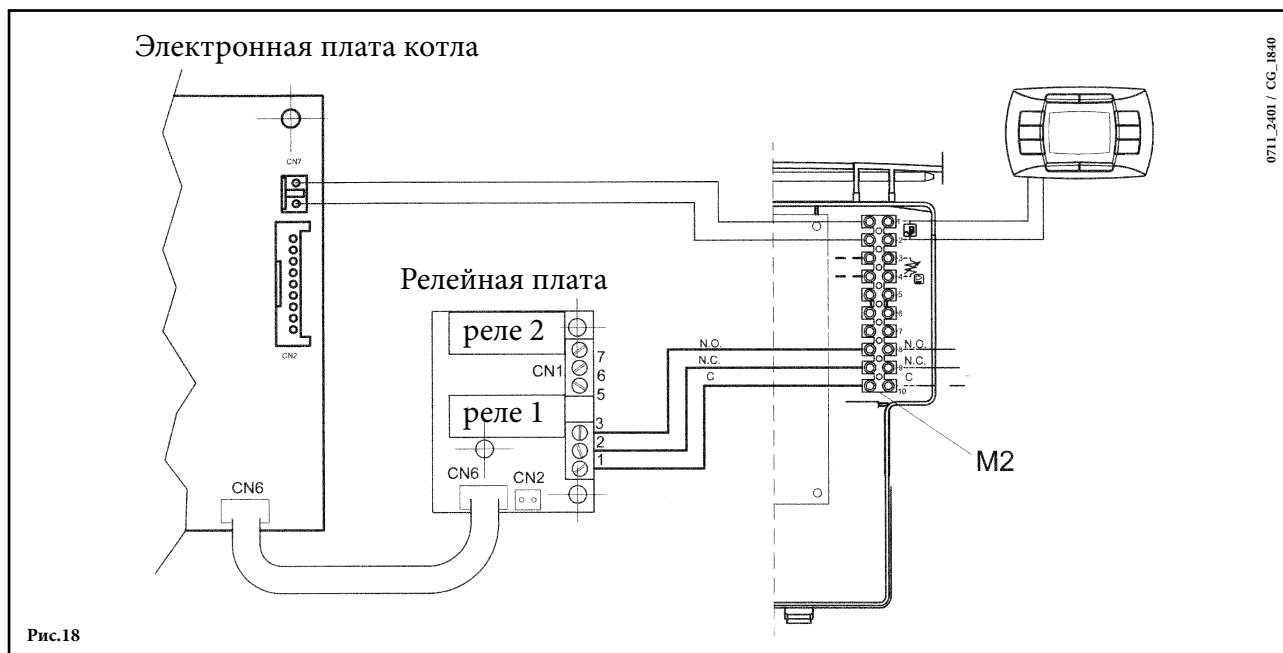


Рис.18

30.2 ПРИСОЕДИНЕНИЕ ЗОНАЛЬНОГО ОБОРУДОВАНИЯ

Электрические контакты зон, не контролируемых дистанционным управлением, должны быть запараллелены и подсоединены к клеммам 1-2 «ТА» клеммной колодки M1.

Существующая перемычка должна быть удалена.

Зона, контролируемая с помощью дистанционного управления, управляется электрическим клапаном зоны 1, как показано на рис.19.

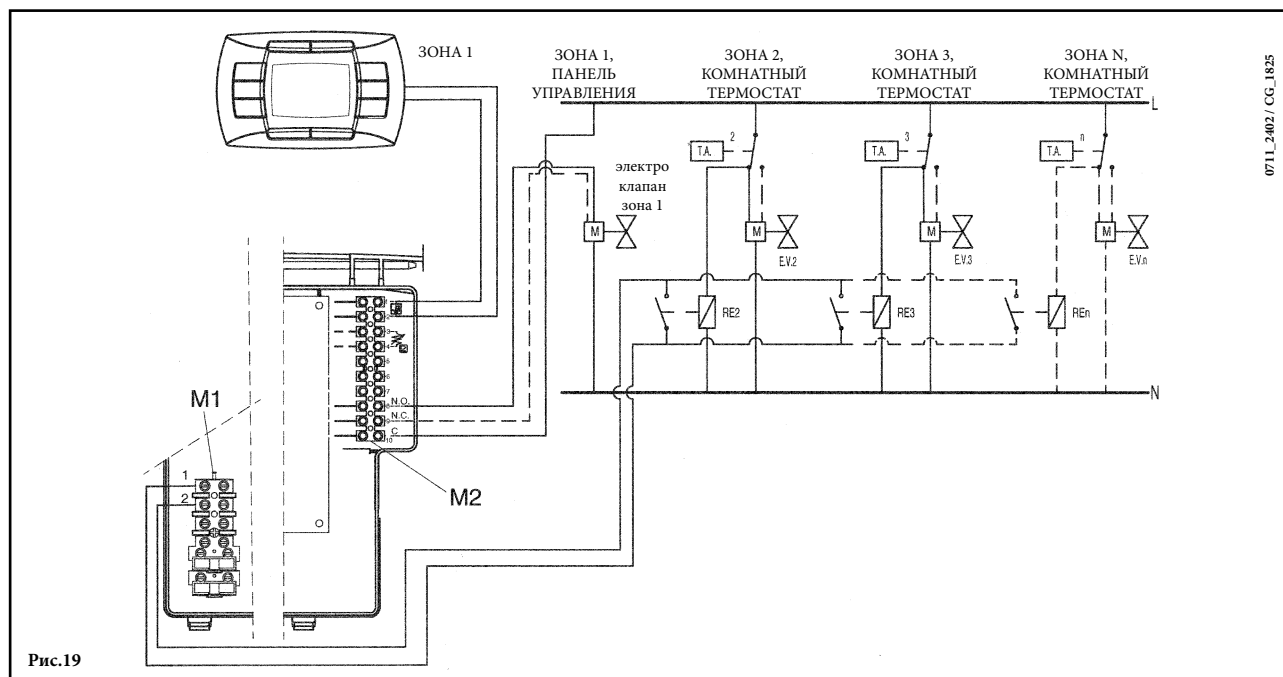


Рис.19

ВНИМАНИЕ: проверьте, чтобы параметр F04 = 2 (как установлено на заводе - глава 21).

31. ЕЖЕГОДНОЕ ТЕХНИЧЕСКОЕ ОБСЛУЖИВАНИЕ

Для обеспечения максимально эффективной и безопасной работы котла необходимо производить ежегодный технический контроль устройства:

- Проверить состояние и целостность прокладок газовых соединений, а также дымоотводящей системы;
- Проверить состояние и правильность установки электродов розжига и ионизации пламени;
- Проверить состояние горелки и её фиксирующих элементов;
- Удалить загрязнения из камеры сгорания используя пылесос для очистки;
- Проверить правильность регулировки газового клапана;
- Проверить давление в системе отопления;
- Проверить давление в расширительном бачке;
- Проверить правильность работы вентилятора;
- Убедиться в чистоте дымохода и в свободном выводе дыма;
- При необходимости очистить от загрязнений сифон в тех котлах, где предусмотрена его установка;
- Проверить целостность магниевых анодов в котлах с накопительными бойлерами там, где он присутствует

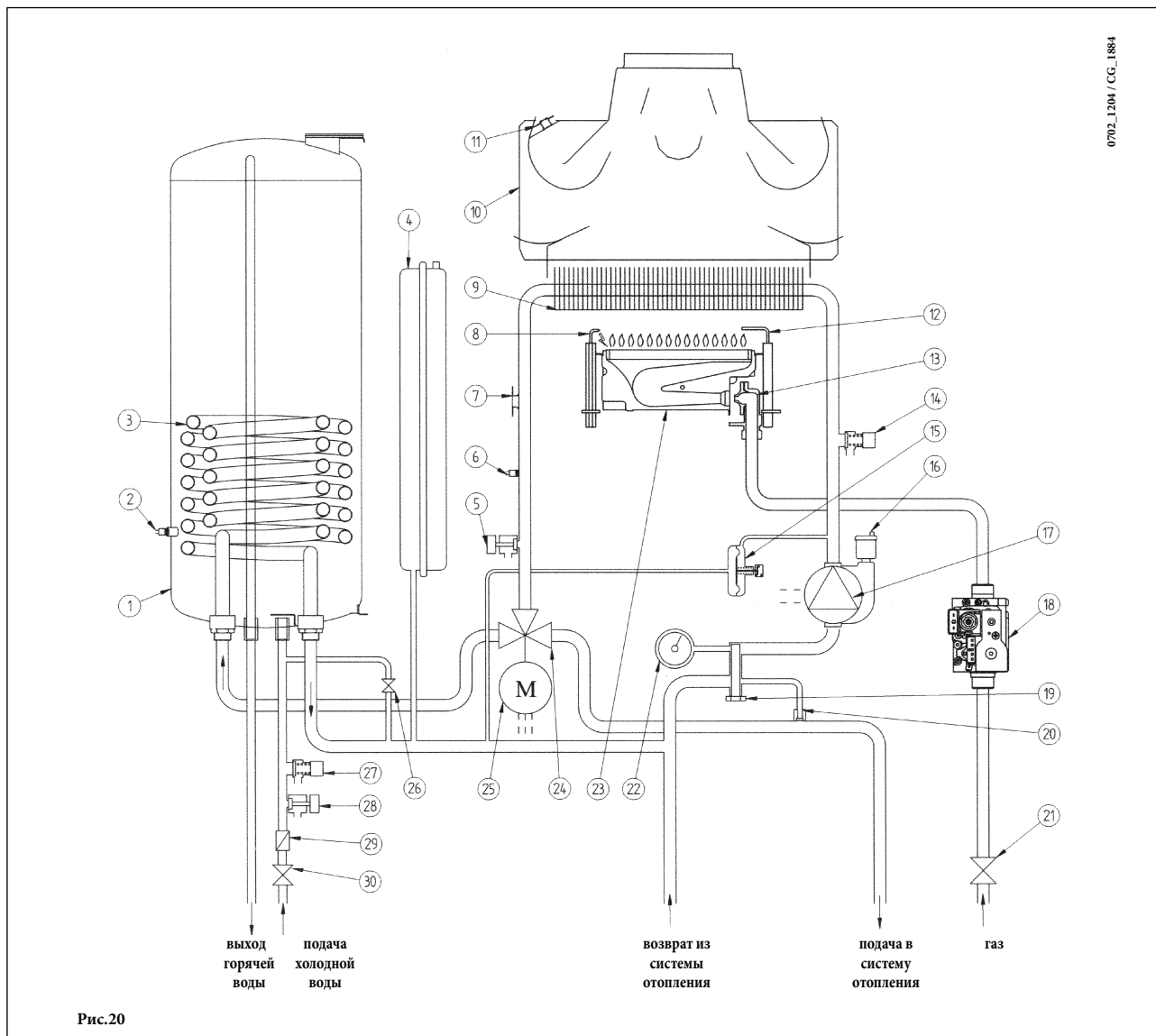
ПРЕДУПРЕЖДЕНИЕ

Перед началом любых работ убедиться в том, что котёл отключен от электропитания.

По завершении технического осмотра установить ручки управления котла / его регулировочные параметры в начальные позиции.

32. ФУНКЦИОНАЛЬНЫЕ СХЕМЫ

240/40 i - 240/60 i - 280/60 i



Обозначения:

- | | |
|--|--|
| 1 - бойлер (накопительный бак для горячей воды) | 17 - насос с автоматическим воздухоотводчиком |
| 2 - датчик температуры бойлера | 18 - газовый клапан |
| 3 - змеевик бойлера | 19 - фильтр на возврате воды |
| 4 - расширительный бак | 20 - автоматический байпас |
| 5 - кран слива воды из котла | 21 - газовый кран |
| 6 - датчик температуры (тип NTC) контура отопления | 22 - манометр |
| 7 - термостат перегрева | 23 - горелка |
| 8 - электрод зажигания | 24 - трехходовой клапан |
| 9 - первичный теплообменник | 25 - мотор трехходового клапана |
| 10 - дымовой колпак | 26 - кран заполнения системы отопления |
| 11 - термостат - датчик тяги | 27 - сбросной предохранительный клапан бойлера (8 бар) |
| 12 - электрод контроля пламени | 28 - кран слива воды из бойлера |
| 13 - рампа подачи газа с форсунками | 29 - ограничитель протока горячей воды |
| 14 - предохранительный гидравлический клапан 3 бар | 30 - кран на входе холодной воды |
| 15 - дифференциальный гидравлический прессостат | |
| 16 - автоматический воздухоотводчик | |

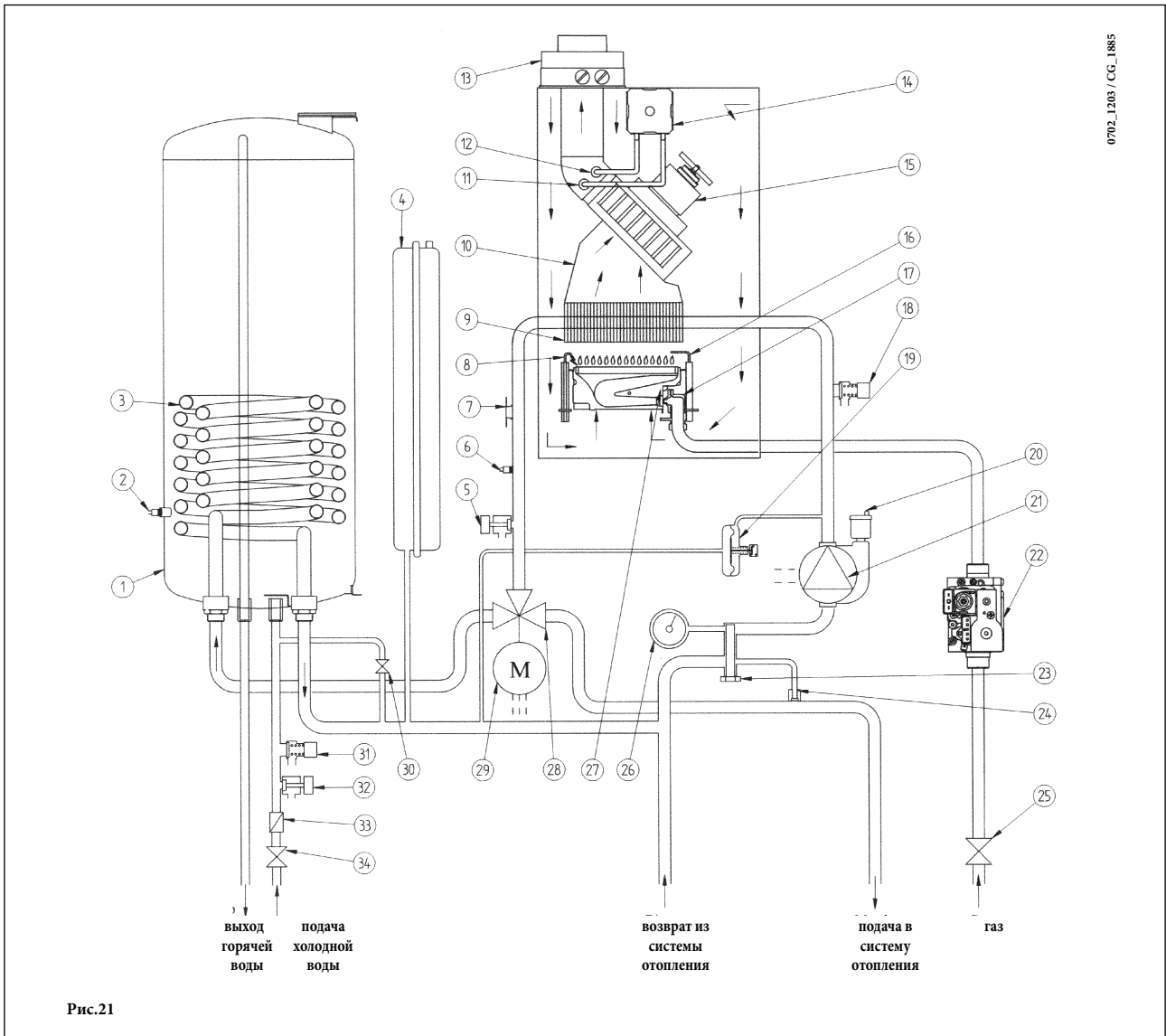


Рис.21

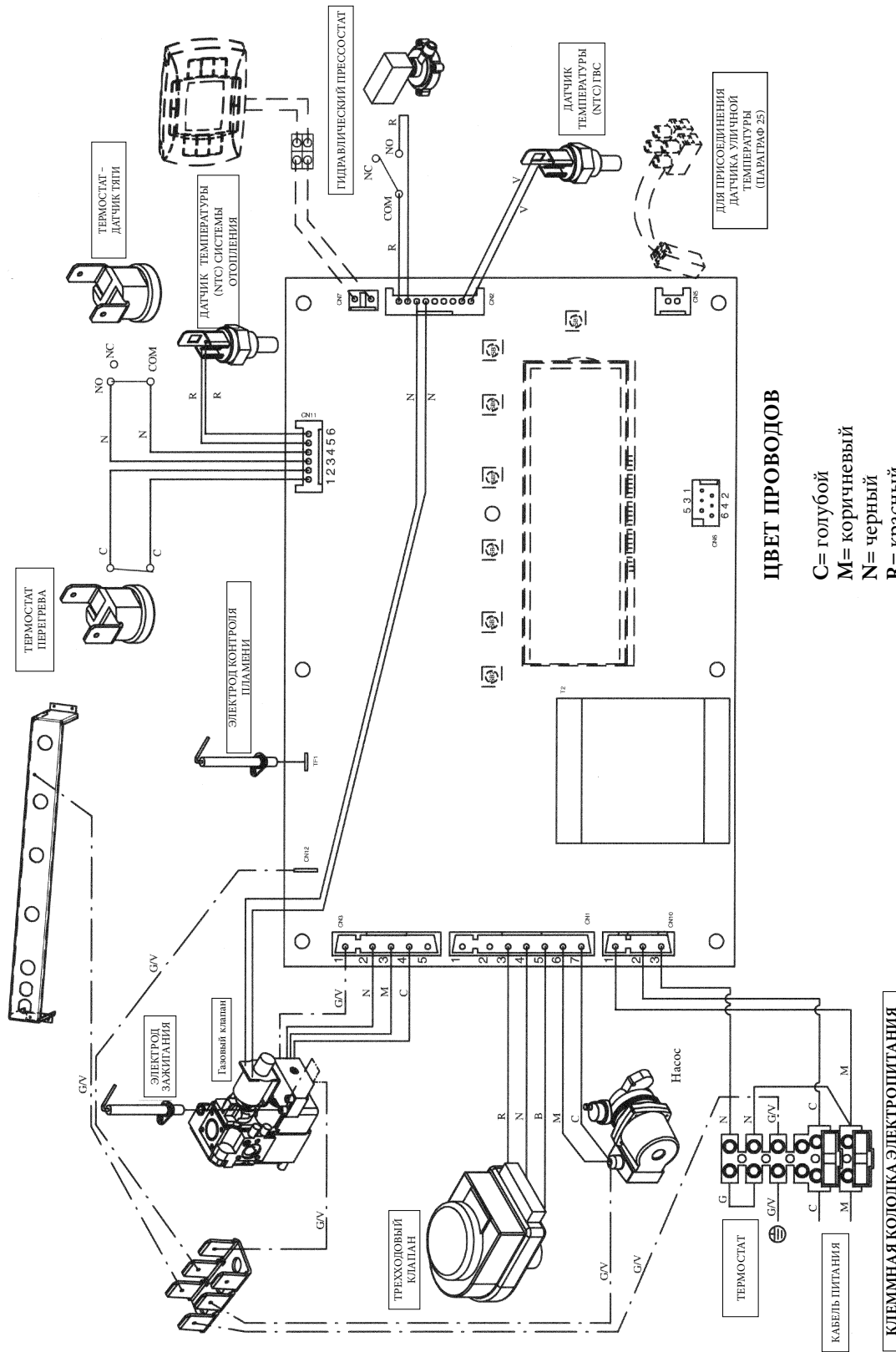
Обозначения:

- | | |
|--|--|
| 1 - бойлер (накопительный бак для горячей воды) | 18 - предохранительный гидравлический клапан 3 бар |
| 2 - датчик температуры бойлера | 19 - дифференциальный гидравлический прессостат |
| 3 - змеевик бойлера | 20 - автоматический воздухоотводчик |
| 4 - расширительный бак | 21 - насос с автоматическим воздухоотводчиком |
| 5 - кран слива воды из котла | 22 - газовый клапан |
| 6 - датчик температуры (тип NTC) контура отопления | 23 - фильтр на возврате воды |
| 7 - термостат перегрева | 24 - автоматический байпас |
| 8 - электрод зажигания | 25 - газовый кран |
| 9 - первичный теплообменник | 26 - манометр |
| 10 - дымовой колпак | 27 - горелка |
| 11 - точка замера отрицательного давления | 28 - трехходовой клапан |
| 12 - точка замера положительного давления | 29 - мотор трехходового клапана |
| 13 - концентрическая муфта | 30 - кран заполнения системы отопления |
| 14 - датчик тяги - пневмореле | 31 - сбросной предохранительный клапан бойлера (8 бар) |
| 15 - вентилятор | 32 - кран слива воды из бойлера |
| 16 - электрод контроля пламени | 33 - ограничитель протока горячей воды |
| 17 - рампа подачи газа с форсунками | 34 - кран на входе холодной воды |

33. СХЕМЫ ЭЛЕКТРИЧЕСКИХ СОЕДИНЕНИЙ

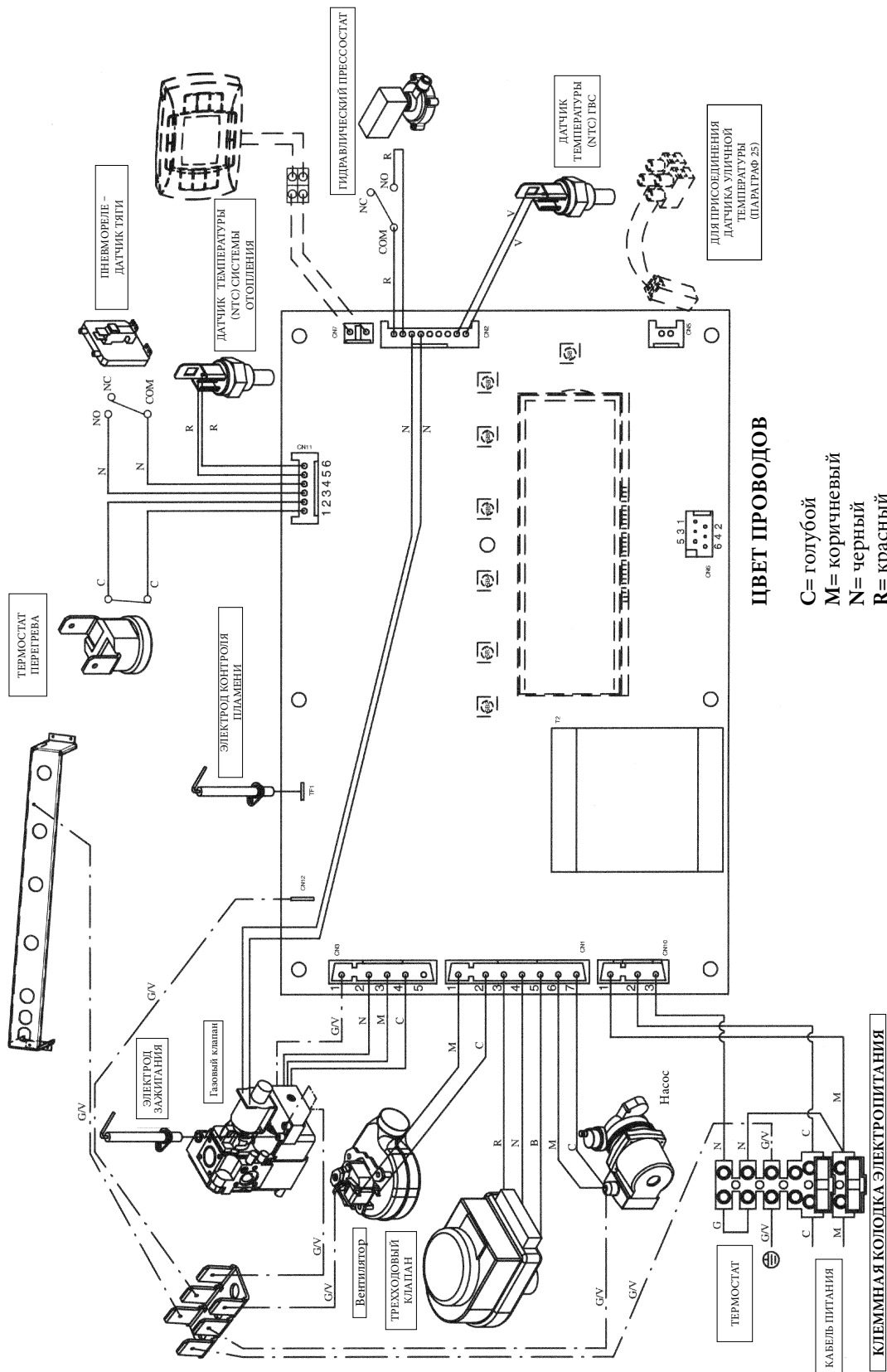
240/40 i - 240/60 i - 280/60 i

0711_2305 / CC_1986



240/40 Fi - 240/60 Fi - 280/60 Fi

0711_2306 / CG_1985



ЦВЕТ ПРОВОДОВ

- C= голубой
- M= коричневый
- N= черный
- R= красный
- G/V = желтый/зеленый
- B= белый
- V= зеленый

34. ТЕХНИЧЕСКИЕ ДАННЫЕ

Модель BOYLER DIGIT		240/40 i	240/60 i	280/60 i	240/40 Fi	240/60 Fi	280/60 Fi
Категория		П _{2НЗ+}	П _{2НЗ+}	П _{2НЗ+}	П _{2НЗ+}	П _{2НЗ+}	П _{2НЗ+}
Максимальная потребляемая тепловая мощность	кВт	27,1	27,1	31,1	26,3	26,3	30,1
Минимальная потребляемая тепловая мощность	кВт	11,9	11,9	11,9	11,9	11,9	11,9
Максимальная полезная тепловая мощность	кВт	24,4	24,4	28	24,4	24,4	28
	какл/час	21.000	21.000	24.080	21.000	21.000	24.080
Минимальная полезная тепловая мощность	кВт	10,4	10,4	10,4	10,4	10,4	10,4
	какл/час	8.900	8.900	8.900	8.900	8.900	8.900
КПД согласно 92/42/CEE	—	★★	★★	★★	★★★	★★★	★★★
Максимальное давление в системе отопления	бар	3	3	3	3	3	3
Объем расширительного бака	л	7,5	7,5	7,5	7,5	7,5	7,5
Накопительный объем бойлера	л	40	60	60	40	60	60
Давление в расширительном баке	бар	0,5	0,5	0,5	0,5	0,5	0,5
Выход горячей воды за первые 30 мин при ΔT=30°C	л/30 мин	350	390	450	350	390	450
Максимальное входное давление холодной воды	бар	8	8	8	8	8	8
Количество горячей воды при ΔT=25 °C	л/мин	14	14	16,1	14	14	16,1
Количество горячей воды при ΔT=35 °C	л/мин	10	10	11,5	10	10	11,5
Количество горячей воды (*)	л/мин	14,5	18,2	19	14,5	18,2	19
Тип	—	B _{11BS}	B _{11BS}	C12 - C32 - C42 - C52 - C82 - B22			
Диаметр коаксиального дымохода	мм	—	—	—	60	60	60
Диаметр коаксиального воздуховода	мм	—	—	—	100	100	100
Диаметр раздельного дымохода	мм	—	—	—	80	80	80
Диаметр раздельного воздуховода	мм	—	—	—	80	80	80
Диаметр дымохода (открытая камера сгорания)	мм	140	140	140	—	—	—
Максимальный расход отходящих газов (метан)	кг/сек	0,022	0,022	0,024	0,022	0,018	0,018
Минимальный расход отходящих газов (метан)	кг/сек	0,021	0,021	0,021	0,019	0,017	0,018
Максимальная температура отходящих газов	С °	110	110	115	134	134	142
Минимальная температура отходящих газов	С °	82	82	82	108	108	108
Класс NOx	—	3	3	3	3	3	3
Тип газа	—	G20	G20	G20	G20	G20	G20
	—	G30-G31	G30-G31	G30-G31	G30-G31	G30-G31	G30-G31
Номинальное давление подачи природного газа G20 (метан)	мбар	20	20	20	20	20	20
Номинальное давление подачи природного газа G30 (бутан)	мбар	28-30	28-30	28-30	28-30	28-30	28-30
Номинальное давление подачи сжиженного газа G31 (пропан)	мбар	37	37	37	37	37	37
Напряжение электропитания	В	230	230	230	230	230	230
Частота питающей сети	Гц	50	50	50	50	50	50
Номинальная электрическая мощность	Вт	110	110	110	190	190	190
Масса Нетто	кг	60	60	60	70	70	70
Габариты	высота	мм	950	950	950	950	950
	ширина	мм	600	600	600	600	600
	глубина	мм	466	466	466	466	466
Уровень защиты от влаги и пыли (**)	—	IP X5D	IP X5D	IP X5D	IP X5D	IP X5D	IP X5D

(*) согласно EN 625

(**) согласно EN 60529

Компания WESTEN, Постоянно работая над усовершенствованием предлагаемой продукции, оставляет за собой право без предварительного уведомления вносить необходимые технические изменения в свою продукцию. Настоящее руководство поставляется в качестве информативной поддержки и не может считаться контрактом в отношении третьих лиц.

Αγαπητέ Πελάτη,

είμαστε βέβαιοι ότι ο νέος σας λέβητας θα ικανοποιήσει όλες τις απαιτήσεις σας. Η αγορά ενός προϊόντος της BAXI ικανοποιεί τις προσδοκίες σας: καλή λειτουργία, απλότητα και ευκολία στη χρήση. Σας παρακαλούμε, να μη φυλάξετε αυτό το φυλλάδιο χωρίς να το διαβάσετε: περιέχει χρήσιμες πληροφορίες για τη σωστή και αποδοτική λειτουργία του λέβητα σας.

Τα υλικά της συσκευασίας (πλαστικές σακούλες, πολυστυρένιο κλπ.) πρέπει να φυλάσσονται μακριά από παιδιά, καθώς αποτελούν πιθανή εστία κινδύνου.

Η **BAXI S.p.A.** δηλώνει ότι τα εν λόγω μοντέλα φέρουν σήμανση CE, σε συμμόρφωση με τις βασικές απαιτήσεις των ακόλουθων οδηγιών:

- Οδηγία Αερίων 90/396/ΕΟΚ
- Οδηγία Αποδόσεων 92/42/ΕΟΚ
- Οδηγία Ηλεκτρομαγνητικής Συμβατότητας 2004/108/ΕΟΚ
- Οδηγία Χαμηλής Τάσης 2006/95/ΕΟΚ

CE

ΠΕΡΙΕΧΟΜΕΝΑ

ΟΔΗΓΙΕΣ ΓΙΑ ΤΟ ΧΡΗΣΤΗ

1. Οδηγίες πριν την εγκατάσταση	123
2. Οδηγίες πριν από τη θέση σε λειτουργία	123
3. Θέση σε λειτουργία του λέβητα	124
4. Ρύθμιση θερμοκρασίας ζεστού νερού οικιακής χρήσης	125
5. Πλήρωση του λέβητα	126
6. Σβήσιμο του λέβητα	126
7. Παρατεταμένη αχρησία του συστήματος Αντιπαγωγική προστασία	126
8. Αλλαγή αερίου	126
9. Ενδείξεις-Επέμβαση συστημάτων ασφαλείας	127
10. Οδηγίες για την τακτική συντήρηση	127

ΟΔΗΓΙΕΣ ΓΙΑ ΤΟΝ ΕΓΚΑΤΑΣΤΑΤΗ

11. Γενικές πληροφορίες	128
12. Οδηγίες πριν την εγκατάσταση	128
13. Πρότυπο για τη στερέωση του λέβητα στον τοίχο	129
14. Διαστάσεις λέβητα	129
15. Εξοπλισμός παρεχομενος ως αξεσουαρ	130
16. Εγκατάσταση αγωγών απαγωγής – αναρρόφησης (μοντέλα με εξαναγκασμένη ροή)	130
17. Ηλεκτρική σύνδεση	134
18. Σύνδεση του θερμοστάτη δωματίου	134
19. Τρόπος αλλαγής αερίου	135
20. Απεικόνιση πληροφοριών	136
21. Ρύθμιση παραμέτρων	138
22. Διατάξεις ελέγχου και ασφαλείας	139
23. Τοποθέτηση ηλεκτροδίου ανάφλεξης και ανίχνευσης φλόγας	140
24. Έλεγχος παραμέτρων καύσης	140
25. Επιδόσεις παροχής εξόδου / μανομετρικού ύψους στην πλάκα	141
26. Άδειασμα του νερού που περιέχεται στο μπόιλερ	141
27. Δοχείο εκτόνωσης ζεστού νερού οικιακής χρήσης (αξεσουάρ, κατά παραγγελία)	141
28. Σύνδεση του εξωτερικού αισθητήρα	142
29. Ηλεκτρική σύνδεση του τηλεχειριστηρίου	143
30. Ηλεκτρική σύνδεση σε μια εγκατάσταση με ζώνες	144
31. Ετήσια συντήρηση	145
32. Λειτουργικό σχέδιο κυκλωμάτων	146-147
33. Σχέδιο σύνδεσης συνδέσμων	148-149
34. Τεχνικά χαρακτηριστικά	150

1. ΟΔΗΓΙΕΣ ΠΡΙΝ ΤΗΝ ΕΓΚΑΤΑΣΤΑΣΗ

Ο παρών λέβητας χρησιμεύει για θέρμανση νερού σε θερμοκρασία χαμηλότερη από τη θερμοκρασία βρασμού σε ατμοσφαιρική πίεση. Ο λέβητας πρέπει να είναι συνδεδεμένος με εγκατάσταση κεντρικής θέρμανσης και με δίκτυο παροχής ζεστού νερού, σύμφωνα με τις επιδόσεις και την ισχύ του.

Πριν την ανάθεση εγκατάστασης του λέβητα σε ειδικευμένο προσωπικό, διενεργήστε :

- προσεκτικό έλεγχο για να διαπιστωθεί ότι ο λέβητας μπορεί να λειτουργήσει με τον τύπο του διαθέσιμου αερίου. Για το σκοπό αυτό ελέγξτε την ένδειξη στη συσκευασία και στην ετικέτα της συσκευής.
- έλεγχος για να διαπιστωθεί ότι η καμινάδα έχει τον κατάλληλο ελκυσμό, δεν παρουσιάζει στενώσεις και ότι δεν έχουν συνδεθεί σε αυτήν αγωγοί απαγωγής άλλων συσκευών, εκτός και αν έχει κατασκευαστεί για να εξυπηρετεί περισσότερες συσκευές σύμφωνα με τους ισχύοντες κανονισμούς και διατάξεις.
- έλεγχος, σε περίπτωση σύνδεσης σε υφιστάμενες καμινάδες, ότι αυτές έχουν καθαριστεί προσεκτικά καθώς, σε αντίθετη περίπτωση, τα υπολείμματα μπορούν να αποκολληθούν από τα τοιχώματα κατά τη λειτουργία και να φράξουν τον αγωγό απαγωγής καυσαερίων.
- Για να εξασφαλιστεί η σωστή λειτουργία και για να ισχύσει η εγγύηση της συσκευής, είναι απαραίτητο να ληφθούν τα ακόλουθα μέτρα:

1. Κύκλωμα ζεστού νερού:

1.1. εάν η σκληρότητα του νερού είναι μεγαλύτερη από 20 °F: (1 °F = 10 mg ανθρακικού ασβεστίου ανά λίτρο νερού) απαιτείται η εγκατάσταση δοσομετρική πολυφωσφορικών αλάτων ή άλλου ανάλογου συστήματος σύμφωνα με την ισχύουσα νομοθεσία.

1.2. είναι αναγκαία η διενέργεια επιμελούς πλύσης του συστήματος μετά την εγκατάσταση της συσκευής και πριν τη χρήση της.

2. Κύκλωμα θέρμανσης

2.1. Νέα εγκατάσταση

Πριν την εγκατάσταση του λέβητα, το σύστημα πρέπει να καθαριστεί καταλλήλως ώστε να απομακρυνθούν υπολείμματα από διάνοιξη σπειρωμάτων, συγκολλήσεις, και ενδεχόμενους διαλύτες, χρησιμοποιώντας κατάλληλα προϊόντα τα οποία διατίθενται στην αγορά μη όξινα και μη αλκαλικά, που δεν προσβάλλουν τα μέταλλα, τα πλαστικά και λαστιχένια μέρη. Τα συνιστώμενα προϊόντα καθαρισμού είναι τα εξής:

SENTINEL X300 ή X400 και FERNOX Αναγεννητής κυκλωμάτων θέρμανσης. Για τη χρήση των προϊόντων αυτών τηρείστε αυστηρά τις οδηγίες του κατασκευαστή τους.

2.2. Υφιστάμενη εγκατάσταση

Πριν την εγκατάσταση του λέβητα, το σύστημα πρέπει να αδειάσει τελείως και να καθαριστεί καταλλήλως από λασπόνερα και ρύπους χρησιμοποιώντας κατάλληλα προϊόντα τα οποία διατίθενται στην αγορά και αναφέρονται στο σημείο 2.1.

Για την προστασία του συστήματος από κρούστες πρέπει να χρησιμοποιείτε προϊόντα αναστολείς όπως SENTINEL X100 και FERNOX προστατευτικό για συστήματα θέρμανσης. Χρησιμοποιήστε αυτά τα προϊόντα τηρώντας αυστηρά τις οδηγίες του κατασκευαστή τους.

Υπενθυμίζεται ότι η παρουσία ξένων σωμάτων στην εγκατάσταση θέρμανσης μπορεί να προκαλέσει προβλήματα λειτουργίας του λέβητα (π.χ. υπερθέρμανση και θορυβώδης λειτουργία του εναλλάκτη θερμότητας).

Η μη τήρηση των παραπάνω συνεπάγεται την έκπτωση της εγγύησης της συσκευής.

2. ΟΔΗΓΙΕΣ ΠΡΙΝ ΑΠΟ ΤΗ ΘΕΣΗ ΣΕ ΛΕΙΤΟΥΡΓΙΑ

Το άναμμα του λέβητα για πρώτη φορά πρέπει να εκτελείται από εξουσιοδοτημένο Σέρβις που θα πρέπει να ελέγχει:

- Αν τα δεδομένα της πινακίδας αντιστοιχούν σε εκείνα των δικτύων τροφοδοσίας (ηλεκτρικό ρεύμα, νερό, αέριο).
- τη συμμόρφωση της εγκατάστασης με τους ισχύοντες νόμους και τις ισχύουσες διατάξεις.
- κατάλληλη σύνδεση με την παροχή ρεύματος και γείωση της συσκευής.

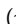
Τα στοιχεία των εξουσιοδοτημένων Κέντρων Τεχνικής Υποστήριξης αναφέρονται στο συνημμένο φύλλο.

Η μη τήρηση των παραπάνω συνεπάγεται την έκπτωση της εγγύησης.

Πριν τη θέση σε λειτουργία αφαιρέστε το προστατευτικό φιλμ από το λέβητα. Μην χρησιμοποιείτε για το σκοπό αυτό εργαλεία ή υλικά αποξυστικά γιατί μπορεί να προξενήσουν ζημιά στα βερνικωμένα μέρη.

3. ΘΕΣΗ ΣΕ ΛΕΙΤΟΥΡΓΙΑ ΤΟΥ ΛΕΒΗΤΑ

Για να ανάψετε σωστά το λέβητα, ενεργήστε ως εξής:

- τροφοδοτήστε με ρεύμα το λέβητα
- ανοίξτε το ρουμπινέτο του αερίου
- πιάστε το κουμπί  (περίπου 2 δευτερόλεπτα) για να θέσετε την κατάσταση λειτουργίας του λέβητα όπως περιγράφεται στην παράγραφο 3.2.

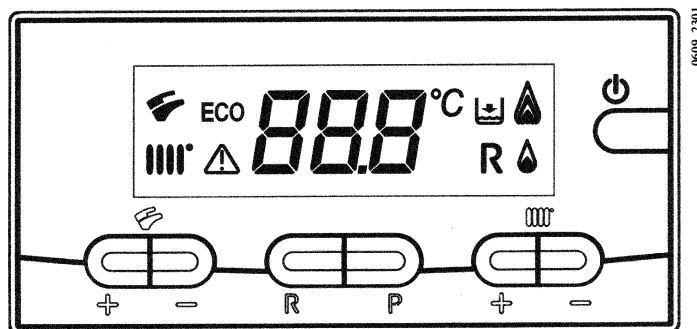
ΠΑΡΑΤΗΡΗΣΗ: θέτοντας τον τρόπο λειτουργίας σε ΘΕΡΙΝΟ , ο λέβητας θα ανάψει μόνο σε περίπτωση λήψης ζεστού νερού οικιακής χρήσης.

- Για να θέσετε την επιθυμητή θερμοκρασία τόσο σε θέρμανση όσο και σε λειτουργία ζεστού νερού, ενεργήστε στα σχετικά κουμπιά +/- όπως περιγράφεται στην παράγραφο 4.

ΠΡΟΕΙΔΟΠΟΙΗΣΗ

Κατά τη φάση του πρώτου ανάμματος, μέχρι να βγει ο αέρας που περιέχεται στις σωληνώσεις του αερίου, μπορείτε να ελέγξετε αν ο καυστήρας δεν ανάβει και συνεπώς αν μπλοκάρει ο λέβητας.






Συστήνεται, στην περίπτωση αυτή, να επαναλάβετε τις ενέργειες ανάμματος, μέχρι να φτάσει αέριο στον καυστήρα πιέζοντας τουλάχιστον 2 δευτερόλεπτα, το κουμπί RESET (R).



ΥΠΟΜΝΗΜΑ ΣΥΜΒΟΛΩΝ ΟΘΟΝΗΣ:

-  Ενεργοποίηση λειτουργίας σε θέρμανση
-  Ενεργοποίηση λειτουργίας για ζεστό νερό
-  Παρουσία φλόγας - εικόνα 2 (επίπεδο ισχύος 0 - 25%)
-  Στάθμη διαμόρφωσης φλόγας - εικόνα 2 (3 επίπεδα ισχύος)
-  Γενική ανωμαλία
-  RESET
-  Απουσία νερού (Πίεση συστήματος χαμηλή)
-  Αριθμητική επισήμανση (Θερμοκρασία, κωδ. ανωμαλίας, κλπ.)
-  Λειτουργία σε τρόπο ECO

ΥΠΟΜΝΗΜΑ ΚΟΥΜΠΙΩΝ:

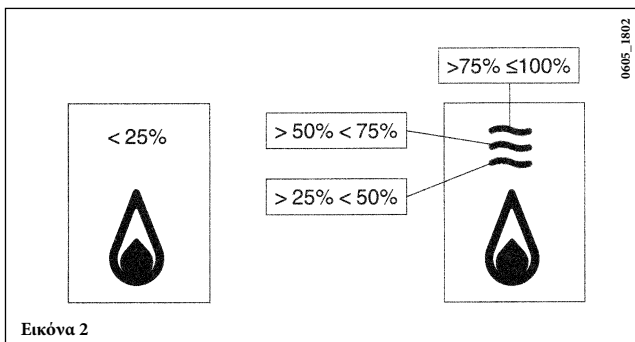
-  + - ρύθμιση θερμοκρασία του ζεστού νερού (°C)
-  + - ρύθμιση θερμοκρασία του νερού θέρμανσης (°C)
-  RESET (επανοπλισμός λέβητα)
-  ECO - CONFORT
-  κουμπί MODE (βλέπε παράγραφο 3.2)

Εικόνα 1

Σε περίπτωση σύνδεσης του τηλεχειριστηρίου, που παρέχεται ως ακεσουάρ, όλες οι ρυθμίσεις λέβητα πρέπει να διενεργούνται από το τηλεχειριστήριο. Βλέπε τις οδηγίες που συνοδεύουν το αξεσουάρ.


3.1 ΣΗΜΑΣΙΑ ΤΟΥ ΣΥΜΒΟΛΟΥ


Κατά τη λειτουργία του λέβητα απεικονίζονται 4 επίπεδα ισχύος σχετικά με το βαθμό διαμόρφωσης του λέβητα, όπως απεικονίζεται στην εικόνα 2.






3.2 ΤΡΟΠΟΙ ΛΕΙΤΟΥΡΓΙΑΣ




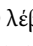
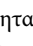
Είναι διαθέσιμοι 4 τρόποι λειτουργίας του λέβητα:

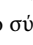
- ΣΒΗΣΤΟ (OFF)
- ΚΑΛΟΚΑΙΡΙ 
- ΧΕΙΜΩΝΑΣ  
- ΜΟΝΟ ΘΕΡΜΑΝΣ 

Για να θέσετε ένα τρόπο λειτουργίας πιέστε για περίπου 2 δευτερόλεπτα το κουμπί .



Επιλέγοντας **ΣΒΗΣΤΟ** η οθόνη δεν απεικονίζει κανένα από τα δύο σύμβολα  . Στον τρόπο αυτόν ενεργοποιείται μόνο η αντιπαγωγτική λειτουργία περιβάλλοντος, κάθε άλλο αίτημα θερμότητας σε ζεστό νερό οικιακής χρήσης ή θέρμανσης δεν ικανοποιείται.


Στο **ΚΑΛΟΚΑΙΡΙ** στην οθόνη απεικονίζεται το σύμβολο . Ο λέβητας ικανοποιεί τα αιτήματα θερμότητας για ζεστό νερό οικιακής χρήσης, η θέρμανση ΔΕΝ ικανοποιείται (αντιπαγωγτική λειτουργία περιβάλλοντος ενεργή).

Στο **ΧΕΙΜΩΝΑ** στην οθόνη απεικονίζονται τα σύμβολα     . Ο λέβητας ικανοποιεί τόσο τα αιτήματα θερμότητας για ζεστό νερό οικιακής χρήσης, όσο και θέρμανσης (αντιπαγωγτική λειτουργία περιβάλλοντος ενεργή).

Στο **ΜΟΝΟ ΘΕΡΜΑΝΣΗ** στην οθόνη απεικονίζεται το σύμβολο . Ο λέβητας ικανοποιεί τα αιτήματα θερμότητας για θέρμανση (αντιπαγωγτική λειτουργία περιβάλλοντος ενεργή).


4. ΡΥΘΜΙΣΗ ΘΕΡΜΟΚΡΑΣΙΑΣ ΤΟΥ ΝΕΡΟΥ ΘΕΡΜΑΝΣΗΣ ΚΑΙ ΟΙΚΙΑΚΗΣ ΧΡΗΣΗΣ

Η ρύθμιση της θερμοκρασίας παροχής σε θέρμανση  και του ζεστού νερού οικιακής χρήσης  διενεργείται ενεργώντας στα αντίστοιχα κουμπί +/- (εικόνα 1).


Το άναμμα του καυστήρα απεικονίζεται στην οθόνη του πίνακα χειρισμού με το σύμβολο .

ΘΕΡΜΑΝΣΗ

Η εγκατάσταση πρέπει να διαθέτει θερμοστάτη περιβάλλοντος για τον έλεγχο της θερμοκρασία των χώρων.


Κατά τη λειτουργία του λέβητα σε θέρμανση, στην οθόνη της εικόνας 1 απεικονίζεται το σύμβολο , να αναβοσβήνει και η θερμοκρασία (°C) παροχής θέρμανσης.

ΖΕΣΤΟΥ ΝΕΡΟΥ ΟΙΚΙΑΚΗΣ ΧΡΗΣΗΣ


Κατά τη λειτουργία του λέβητα σε ζεστό νερό οικιακής χρήσης, στην οθόνη της εικόνας 1 απεικονίζεται το σύμβολο , να αναβοσβήνει και η θερμοκρασία (°C) του νερού παροχής μπόιλερ.

Μπορείτε να θέσετε δύο διαφορετικές τιμές θερμοκρασίας του ζεστού νερού οικιακής χρήσης **ECO** και **CONFORT**, ενεργώντας στο κουμπί **P**. Για να αλλάξετε τις θερμοκρασίες ενεργήστε με τον ακόλουθο τρόπο:

ECO


Πιέστε το κουμπί **P**, η οθόνη απεικονίζει την ένδειξη «eco», θέστε την τιμή setpoint επιθυμητής θερμοκρασίας ενεργώντας στα κουμπί +/- .

CONFORT

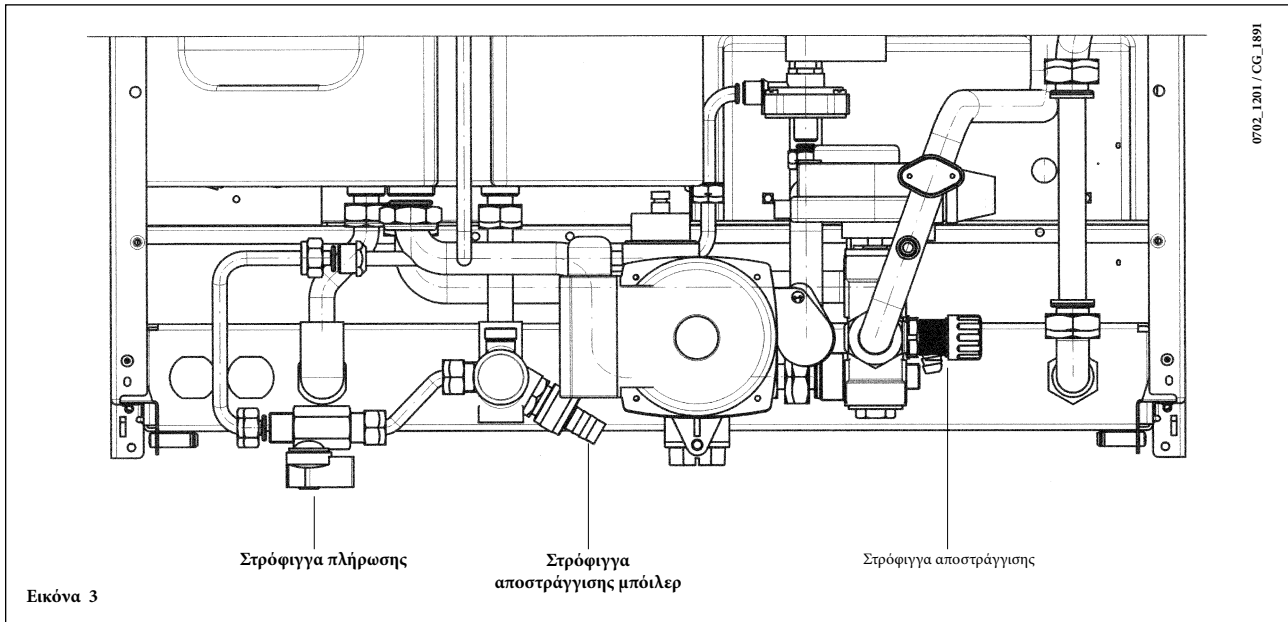
Πιέστε το κουμπί **P**, η οθόνη απεικονίζει μόνο την τιμή της θερμοκρασίας που θα θέσετε, ρυθμίστε την τιμή setpoint επιθυμητής θερμοκρασίας ενεργώντας στα κουμπί +/- .

5. ΠΛΗΡΩΣΗ ΤΗΣ ΕΓΚΑΤΑΣΤΑΣΗΣ

ΣΗΜΑΝΤΙΚΟ: Ελέγχετε περιοδικά εάν η ένδειξη της πίεσης στο μανόμετρο (14 – Εικόνα 17 και 18) κυμαίνεται από 0,5 έως 1 bar όταν δε λειτουργεί ο λέβητας. Σε περίπτωση υπερπίεσης ανοίξτε τη βαλβίδα αποστράγγισης του λέβητα. Στην περίπτωση που είναι μικρότερη ενεργήστε στη στρόφιγγα εφοδιασμού του λέβητα (εικόνα 3).

Συνιστάται το άνοιγμα της στρόφιγγας να γίνεται πολύ αργά ώστε να διευκολύνεται η εξαέρωση. Κατά τη διάρκεια αυτής της διαδικασίας, είναι αναγκαίο ο λέβητας να είναι στο «OFF» (ενεργήστε στο κουμπί  - εικόνα 1).

Σε περίπτωση που παρατηρούνται συχνές πτώσεις πίεσης, ζητήστε την επέμβαση του εξουσιοδοτημένου Σέρβις.



Ο λέβητας διαθέτει υδραυλικό διαφορικό πιεζοστάτη ο οποίος, σε περίπτωση μπλοκαρισμένης αντλίας ή απουσίας νερού, δεν επιτρέπει τη λειτουργία του λέβητα.

6. ΣΒΗΣΙΜΟ ΤΟΥ ΛΕΒΗΤΑ

Για το σβήσιμο του λέβητα διακόψτε την ηλεκτρική τροφοδοσία της συσκευής. Αν ο λέβητας είναι σε «OFF» (παράγραφος 3.2), τα ηλεκτρικά κυκλώματα παραμένουν υπό τάση και είναι ενεργή η αντιπαγωτική λειτουργία (παράγραφος 7).

7. ΠΑΡΑΤΕΤΑΜΕΝΗ ΑΧΡΗΣΙΑ ΤΟΥ ΣΥΣΤΗΜΑΤΟΣ. ΑΝΤΙΠΑΓΩΤΙΚΗ ΠΡΟΣΤΑΣΙΑ

Συνιστάται να αποφεύγετε την αποστράγγιση ολόκληρης της εγκατάστασης θέρμανσης, καθώς οι αλλαγές νερού αποτελούν αιτία σχηματισμού άχρηστων και επιβλαβών αλάτων στο εσωτερικό του λέβητα και των θερμαντικών σωμάτων. Σε περίπτωση που η θερμική εγκατάσταση δε χρησιμοποιείται κατά τη διάρκεια του χειμώνα και υπάρχει κίνδυνος παγετού, συνιστάται να προσθέσετε στο νερό της εγκατάστασης κατάλληλα διαλύματα αντιπαγωτικού που προορίζονται για το σκοπό αυτό (π.χ. προπυλενική γλυκόλη σε συνδυασμό με αναστολείς διάβρωσης και καθαλατώσεων). Η ηλεκτρονική διαχείριση του λέβητα είναι εφοδιασμένη με “αντιπαγωτική” προστασία στη λειτουργία θέρμανσης ώστε με θερμοκρασία κατάθλιψης μικρότερης των 5 °C να τίθεται σε λειτουργία ο καυστήρας μέχρι η θερμοκρασία κατάθλιψης να φθάσει περίπου τους 30°C.

Αυτή η λειτουργία είναι ενεργή εάν:

- * ο λέβητας τροφοδοτείται με ηλεκτρισμό.
- * υπάρχει αέριο.
- * η πίεση της εγκατάστασης είναι η προκαθορισμένη.
- * ο λέβητας δε βρίσκεται σε κατάσταση εμπλοκής.

8. ΑΛΛΑΓΗ ΑΕΡΙΟΥ

Οι λέβητες μπορούν να λειτουργούν είτε με μεθάνιο, είτε με υγραέριο GPL.

Σε περίπτωση που καθίσταται αναγκαία η μετατροπή, πρέπει να απευθυνθείτε στο εξουσιοδοτημένο Σέρβις.

9. ΕΝΔΕΙΞΕΙΣ-ΕΠΕΜΒΑΣΗ ΣΥΣΤΗΜΑΤΩΝ ΑΣΦΑΛΕΙΑΣ

Οι ανωμαλίες απεικονίζονται στην οθόνη και ταυτοποιούνται με έναν κωδικό σφάλματος (π.χ. E01):

Οι ανωμαλίες που επιδέχονται RESET υποδεικνύονται στη οθόνη με το σύμβολο **R** (εικόνα 4).

Οι ανωμαλίες που δεν επιδέχονται RESET υποδεικνύονται στη οθόνη με το σύμβολο **⚠** (εικόνα 4.1).

Για να κάνετε RESET στο λέβητα, πιέστε για τουλάχιστον 2 δευτερόλεπτα το κουμπί **R**.



ΑΠΕΙΚΟΝΙΖΟΜΕΝΟΣ ΚΩΔΙΚΟΣ	ΑΝΩΜΑΛΙΑ	ΕΠΕΜΒΑΣΗ
E01	Μπλοκάρισμα ανάφλεξης	Πιέστε το κουμπί R . Σε περίπτωση επαναλαμβανόμενης επέμβασης της ανωμαλίας αυτής καλέστε το εξουσιοδοτημένο κέντρο Σέρβις.
E02	Μπλοκάρισμα λόγω επέμβασης θερμοστάτη ασφαλείας	Πιέστε το κουμπί R . Σε περίπτωση επαναλαμβανόμενης επέμβασης της ανωμαλίας αυτής καλέστε το εξουσιοδοτημένο κέντρο Σέρβις.
E03	Επέμβαση θερμοστάτη καυσαερίων/πιεζοστάτη καυσαερίων	Καλέστε το εξουσιοδοτημένο κέντρο Σέρβις.
E04	Σφάλμα ασφαλείας λόγω συχνών απωλειών φλόγας	Καλέστε το εξουσιοδοτημένο κέντρο Σέρβις.
E05	Βλάβη αισθητήρα παροχής	Καλέστε το εξουσιοδοτημένο κέντρο Σέρβις.
E06	Βλάβη αισθητήρα ζεστού νερού	Καλέστε το εξουσιοδοτημένο κέντρο Σέρβις.
E11	Επέμβαση θερμοστάτη ασφαλείας λόγω συστήματος σε χαμηλή θερμοκρασία (αν συνδέεται)	Καλέστε το εξουσιοδοτημένο κέντρο Σέρβις.
E12	Μη συναίνεση του διαφορικού υδραυλικού πιεζοστάτη	Ελέγξτε αν η πίεση της εγκατάστασης είναι η δέουσα. Βλέπε παράγραφο 5. Αν η ανωμαλία επιμένει, καλέστε το εξουσιοδοτημένο κέντρο Σέρβις.
E13	Ελαττωματική επαφή διαφορικού υδραυλικού πιεζοστάτη	Ελέγξτε αν η πίεση της εγκατάστασης είναι η δέουσα. Βλέπε παράγραφο 5. Αν η ανωμαλία επιμένει, καλέστε το εξουσιοδοτημένο κέντρο Σέρβις.
E25	Επέμβαση ασφαλείας λόγω μη κυκλοφορίας νερού	Καλέστε το εξουσιοδοτημένο κέντρο Σέρβις.
E31	Σφάλμα επικοινωνίας μεταξύ ηλεκτρονικής κάρτας και τηλεχειριστηρίου	Πιέστε το κουμπί R . Σε περίπτωση επαναλαμβανόμενης επέμβασης της ανωμαλίας αυτής καλέστε το εξουσιοδοτημένο κέντρο Σέρβις.
E35	Παρασιτική φλόγα (σφάλμα φλόγας)	Πιέστε το κουμπί R . Σε περίπτωση επαναλαμβανόμενης επέμβασης της ανωμαλίας αυτής καλέστε το εξουσιοδοτημένο κέντρο Σέρβις.
E98	Εσωτερικό σφάλμα κάρτας	Καλέστε το εξουσιοδοτημένο κέντρο Σέρβις.
E99	Εσωτερικό σφάλμα κάρτας	Καλέστε το εξουσιοδοτημένο κέντρο Σέρβις.

10. ΟΔΗΓΙΕΣ ΓΙΑ ΤΗΝ ΤΑΚΤΙΚΗ ΣΥΝΤΗΡΗΣΗ

Για να διατηρείται η αποδοτική και ασφαλής λειτουργία του λέβητα σας, αναθέστε τον έλεγχο του σε εξουσιοδοτημένο Σέρβις μετά το τέλος κάθε περιόδου λειτουργίας.

Με την προσεγμένη συντήρηση εξασφαλίζεται η οικονομική λειτουργία της εγκατάστασης.

Ο εξωτερικός καθαρισμός της συσκευής δεν πρέπει να γίνεται με απορρυπαντικά σε σκόνη, διαβρωτικά και/ή εύφλεκτα προϊόντα (π.χ. βενζίνη, οινόπνευμα κλπ.) και πρέπει να εκτελείται πάντα με τη συσκευή εκτός λειτουργίας (βλ. κεφάλαιο 6: σβήσιμο του λέβητα).

11. ΓΕΝΙΚΕΣ ΠΛΗΡΟΦΟΡΙΕΣ

Οι τεχνικές σημειώσεις και οι οδηγίες που ακολουθούν απευθύνονται στους εγκαταστάτες προκειμένου να τους βοηθήσουν στην ορθή εκτέλεση της εγκατάστασης. Οι οδηγίες που αφορούν το άναμμα και τη χρήση του λέβητα βρίσκονται στο τμήμα που απευθύνεται στο χρήστη.

Εκτός αυτών, έχετε υπόψη σας ότι:

- Ο λέβητας μπορεί να συνδεθεί με παντός τύπου θερμαντική πλάκα, καλοριφέρ, αερόθερμο, δισωλήνιου ή μονοσωλήνιου τύπου. Ωστόσο, οι διατομές του κυκλώματος πρέπει να υπολογίζονται σύμφωνα με τις κοινές μεθόδους λαμβάνοντας υπόψη τη χαρακτηριστική παροχή-μανομετρικό ύψος διαθέσιμη για την πλάκα η οποία απεικονίζεται στην παράγραφο 25.
- Τα υλικά της συσκευασίας (πλαστικές σακούλες, πολυστυρένιο κλπ.) πρέπει να φυλάσσονται μακριά από παιδιά, καθώς αποτελούν πιθανή εστία κινδύνου.
- Το άναμμα του λέβητα για πρώτη φορά πρέπει να εκτελείται από εξειδικευμένο Σέρβις, τα στοιχεία του οποίου αναφέρονται στο συνημμένο φύλλο.

Η μη τήρηση των παραπάνω καθιστά την εγγύηση άκυρη.

12. ΟΔΗΓΙΕΣ ΠΡΙΝ ΤΗΝ ΕΓΚΑΤΑΣΤΑΣΗ

Ο παρών λέβητας χρησιμεύει για θέρμανση νερού σε θερμοκρασία χαμηλότερη από τη θερμοκρασία βρασμού σε ατμοσφαιρική πίεση. Ο λέβητας πρέπει να είναι συνδεδεμένος με εγκατάσταση κεντρικής θέρμανσης και με δίκτυο παροχής ζεστού νερού, σύμφωνα με τις επιδόσεις και την ισχύ του.

Πριν ζητήσετε τη σύνδεση του λέβητα από ειδικευμένο επαγγελματικά προσωπικό, είναι αναγκαίος:

- α) προσεκτικός έλεγχος για να διαπιστωθεί ότι ο λέβητας μπορεί να λειτουργήσει με τον τύπο του διαθέσιμου αερίου. Για το σκοπό αυτό ελέγξτε την ένδειξη στη συσκευασία και στην ετικέτα της συσκευής.
- β) έλεγχος για να διαπιστωθεί ότι η καμινάδα έχει τον κατάλληλο ελκυσμό, δεν παρουσιάζει στενώσεις και ότι δεν έχουν συνδεθεί σε αυτήν αγωγοί απαγωγής άλλων συσκευών, εκτός και αν έχει κατασκευαστεί για να εξυπηρετεί περισσότερες συσκευές σύμφωνα με τους ισχύοντες κανονισμούς και διατάξεις.
- γ) έλεγχος, σε περίπτωση σύνδεσης σε υφιστάμενες καμινάδες, ότι αυτές έχουν καθαριστεί προσεκτικά καθώς, σε αντίθετη περίπτωση, τα υπολείμματα μπορούν να αποκολληθούν από τα τοιχώματα κατά τη λειτουργία και να φράξουν τον αγωγό απαγωγής καυσαερίων.

Ακόμη, είναι αναγκαίο, για να διατηρηθεί η σωστή λειτουργία και η εγγύηση της συσκευής, να τηρηθούν οι εξής προφυλάξεις:

1. Κύκλωμα ζεστού νερού:

1.1. εάν η σκληρότητα του νερού είναι μεγαλύτερη από 20 °F (1 °F = 10 mg ανθρακικού ασβεστίου ανά λίτρο νερού) απαιτείται η εγκατάσταση δοσομετρητή πολυφωσφορικών αλάτων ή άλλων ανάλογων συστημάτων σύμφωνα με την ισχύουσα νομοθεσία.

1.2. Είναι αναγκαίο ένα επιμελές πλύσιμο της εγκατάστασης μετά την τοποθέτηση της συσκευής και πριν τη χρήση της.

2. Κύκλωμα θέρμανσης

2.1. Νέα εγκατάσταση

Πριν την εγκατάσταση του λέβητα, το σύστημα πρέπει να καθαριστεί κατάλληλα ώστε να απομακρυνθούν υπολείμματα από διάφορα σπειρωμάτων, συγκολλήσεις, και ενδεχόμενους διαλύτες, χρησιμοποιώντας κατάλληλα προϊόντα τα οποία διατίθενται στην αγορά μη όξινα και μη αλκαλικά, που δεν προσβάλλουν τα μέταλλα, τα πλαστικά και λαστιχένια μέρη. Τα συνιστώμενα προϊόντα καθαρισμού είναι:

SENTINEL X300 ή X400 και FERNOX Αναγεννητής κυκλωμάτων θέρμανσης. Για τη χρήση των προϊόντων αυτών τηρείστε αυστηρά τις οδηγίες του κατασκευαστή τους.

2.2. Υφιστάμενη εγκατάσταση

λασπόνερα και ρύπους χρησιμοποιώντας κατάλληλα προϊόντα τα οποία διατίθενται στην αγορά και αναφέρονται στο σημείο 2.1.

Για την προστασία του συστήματος από κρούστες πρέπει να χρησιμοποιείτε προϊόντα αναστολής όπως SENTINEL X100 και FERNOX προστατευτικό για συστήματα θέρμανσης. Χρησιμοποιήστε αυτά τα προϊόντα τηρώντας αυστηρά τις οδηγίες του κατασκευαστή τους.

Υπενθυμίζεται ότι η παρουσία ξένων σωμάτων στην εγκατάσταση θέρμανσης μπορεί να προκαλέσει προβλήματα λειτουργίας του λέβητα (π.χ. υπερθέρμανση και θορυβώδης λειτουργία του εναλλάκτη θερμότητας).

Η μη τήρηση των παραπάνω συνεπάγεται την έκπτωση της εγγύησης της συσκευής.

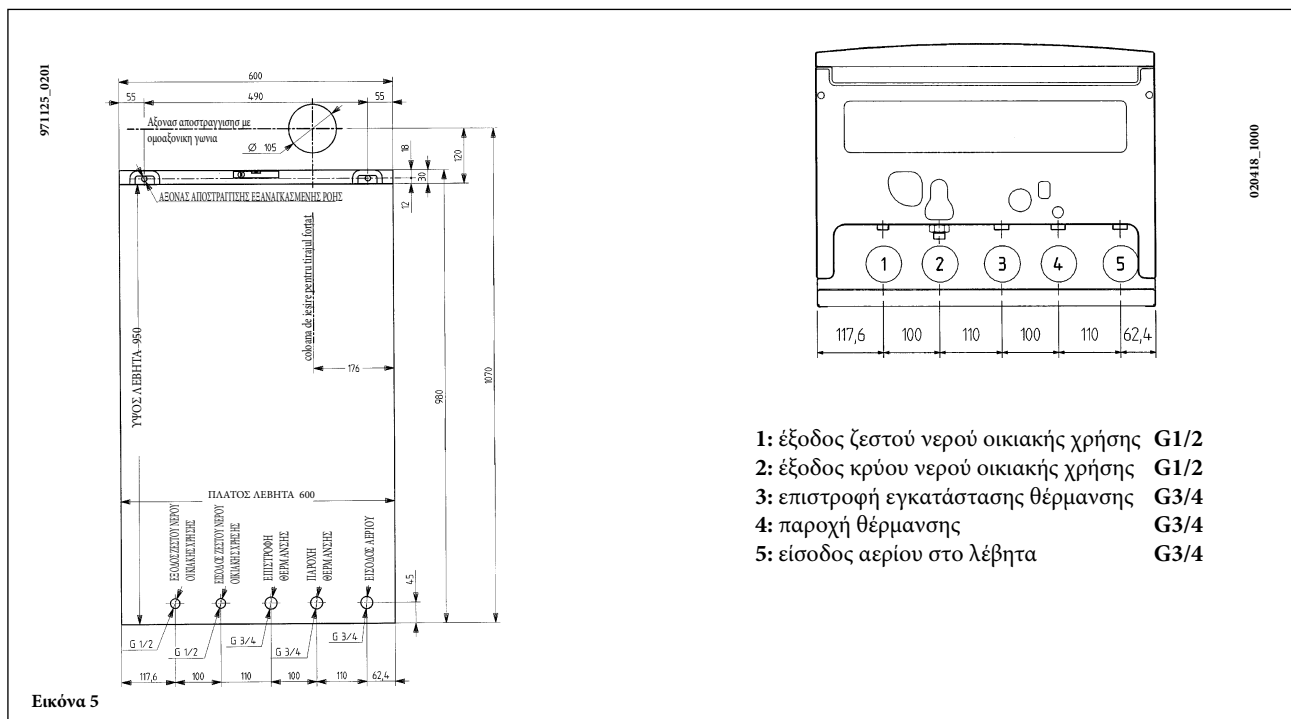
13. ΠΡΟΤΥΠΟ ΓΙΑ ΤΗ ΣΤΕΡΕΩΣΗ ΤΟΥ ΛΕΒΗΤΑ ΣΤΟΝ ΤΟΙΧΟ

Αφού καθορίσετε την ακριβή θέση του λέβητα, στερεώστε το σχέδιο εγκατάστασης στον τοίχο.

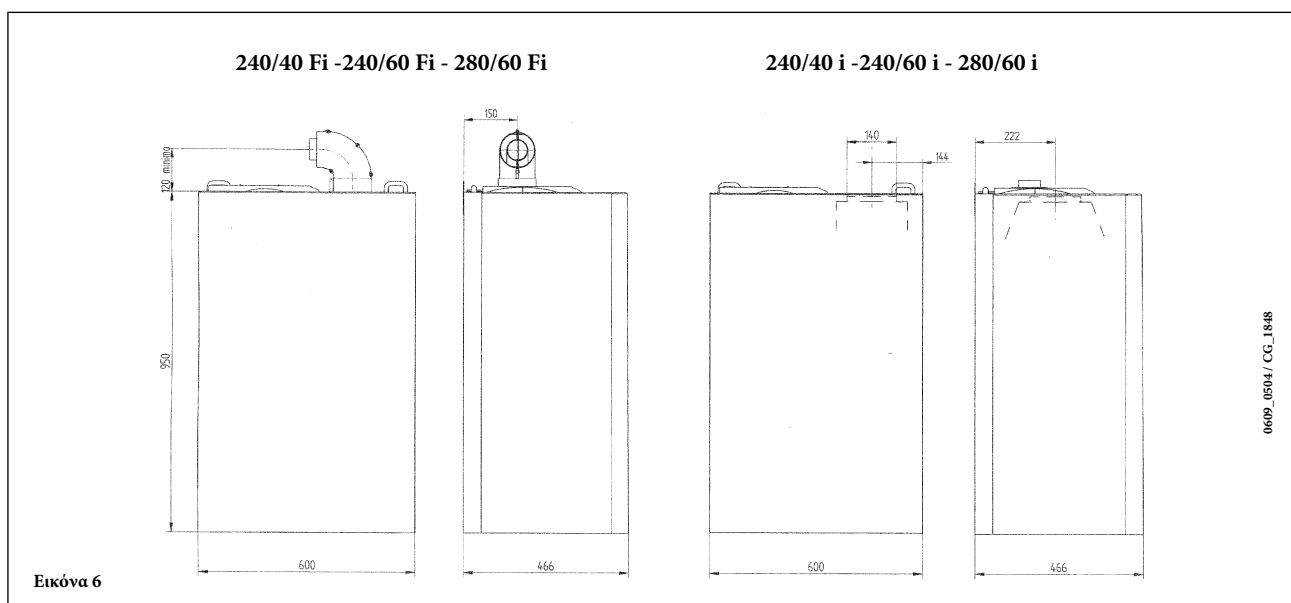
Για την εγκατάσταση, ξεκινήστε από τη θέση των στομιών εισαγωγή νερού και αερίου που υπάρχουν στην κάτω λωρίδα του σχεδίου. Συνιστάται η εγκατάσταση, στο κύκλωμα θέρμανσης, δύο ρουμπινέτων διακοπής (κατάθλιψης και επιστροφής) G3/4, τα οποία διατίθενται κατόπιν παραγγελίας και επιτρέπουν την αποφυγή της αποστράγγισης όλης της εγκατάστασης θέρμανσης σε περίπτωση εκτέλεσης σημαντικών εργασιών.

Σε περίπτωση υφιστάμενης εγκαταστάσεως και αντικατάστασης, εκτός των προαναφερθέντων, συνιστάται η τοποθέτηση στην επιστροφή του λέβητα και στο κάτω μέρος ενός δοχείου καθίζησης για τη συγκέντρωση αλάτων ή υπολειμμάτων τα οποία παραμένουν μετά τον καθαρισμό και μπορούν με το χρόνο να τεθούν σε κυκλοφορία. Μετά τη στερέωση του λέβητα στον τοίχο, συνδέστε τους αγωγούς απαγωγής και αναρρόφησης που διατίθενται ως αξεσουάρ, όπως περιγράφεται στα επόμενα κεφάλαια.

Σε περίπτωση εγκατάστασης λέβητα φυσικού ελκυσμού, διενεργήστε τη σύνδεση στην καμινάδα πρέπει να γίνει με μεταλλικό σωλήνα, ανθεκτικό στο χρόνο και στις συνήθεις μηχανικές καταπονήσεις, στη θερμότητα και στη δράση των προϊόντων της καύσης και των ενδεχόμενων συμπυκνωμάτων τους.



14. ΔΙΑΣΤΑΣΕΙΣ ΛΕΒΗΤΑ

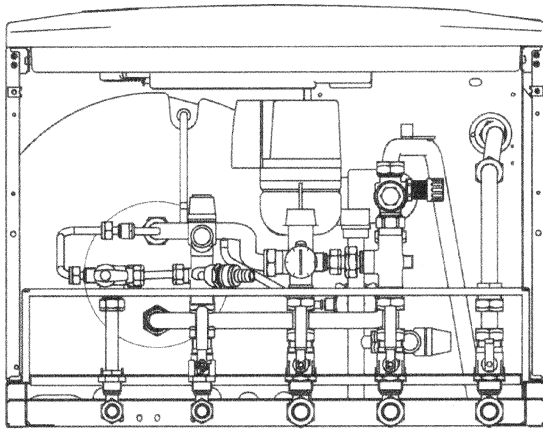


15. ΕΞΟΠΛΙΣΜΟΣ ΠΑΡΕΧΟΜΕΝΟΣ ΩΣ ΑΞΕΣΟΥΑΡ

- τσιμούχες στεγανότητας
- στρόφιγγα εισόδου νερού (2)
- στρόφιγγα αερίου (1)
- τηλεσκοπικές ενώσεις
- ούπα 12 mm και πείροι

BOYLER DIGIT 240/40 i -240/40 Fi

0804_1101 / CC. 2061



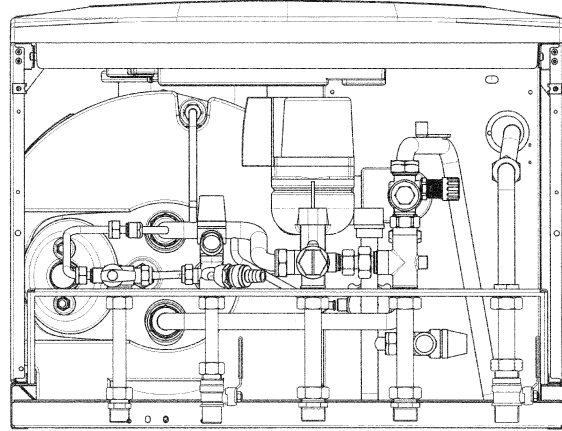
Εικόνα 7

2

1

BOYLER DIGIT 240/60 i -240/60 Fi - 280/60 i - 280/60 Fi

0702_1202 / CC. 1892



2

1

16. ΕΓΚΑΤΑΣΤΑΣΗ ΑΓΩΓΩΝ ΑΠΑΓΩΓΗΣ - ΑΝΑΡΡΟΦΗΣΗΣ

Η εγκατάσταση του λέβητα μπορεί να γίνει με ευκολία και χωρίς προβλήματα χάρη στα διαθέσιμα εξαρτήματα τα οποία περιγράφονται στη συνέχεια.

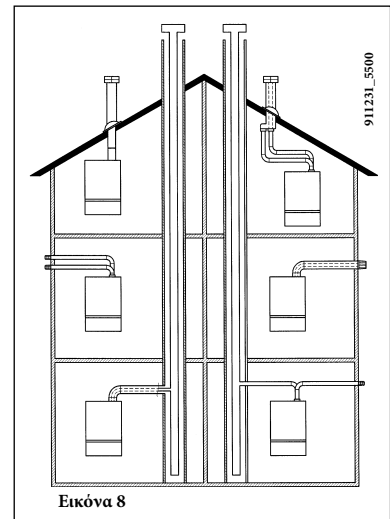
Ο λέβητας είναι αρχικά ρυθμισμένος για σύνδεση με κατακόρυφο ή οριζόντιο αγωγό απαγωγής-αναρρόφησης ομοαξονικού τύπου. Με τη βοήθεια του κιτ διαχωρισμού επιτρέπεται και η χρήση δύο χωριστών αγωγών.

Για την εγκατάσταση πρέπει να χρησιμοποιούνται μόνο τα εξαρτήματα που διατίθενται από τον κατασκευαστή!

ΟΜΟΑΞΟΝΙΚΟΣ (ΟΜΟΚΕΝΤΡΙΚΟΣ) ΑΓΩΓΟΣ ΑΠΑΓΩΓΗΣ - ΑΝΑΡΡΟΦΗΣΗΣ

Ο αγωγός αυτού του τύπου επιτρέπει την απαγωγή των καυσαερίων και την αναρρόφηση του αέρα καύσης τόσο από το εξωτερικό του κτιρίου, όσο και από καπνοδόχους τύπου LAS.

Η ομοαξονική γωνία 90° επιτρέπει τη σύνδεση του λέβητα στους αγωγούς απαγωγής-αναρρόφησης προς οποιαδήποτε κατεύθυνση χάρη στη δυνατότητα περιστροφής κατά 360°. Επιπλέον, μπορεί να χρησιμοποιηθεί ως εφεδρική γωνία σε συνδυασμό με ομοαξονικό αγωγό ή με γωνία 45°.

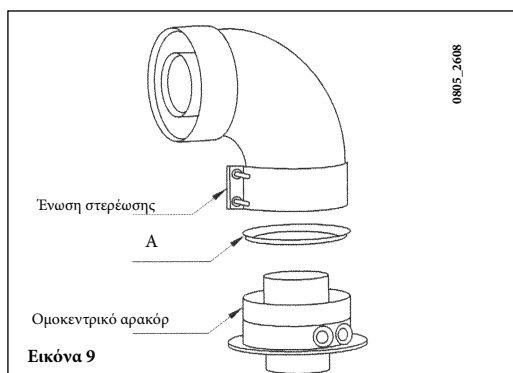


Εικόνα 8

911231_5500

ΠΡΟΕΙΔΟΠΟΙΗΣΗ

Για τη μεγαλύτερη ασφάλεια λειτουργίας πρέπει οι αγωγοί απαγωγής καυσαερίων να είναι καλά στερεωμένοι στον τοίχο μέσω σχετικών πλαισίων στερέωσης.



Εικόνα 9

0805_2608

Ένωση στερέωσης

A

Ομοκεντρικό αρακόρ

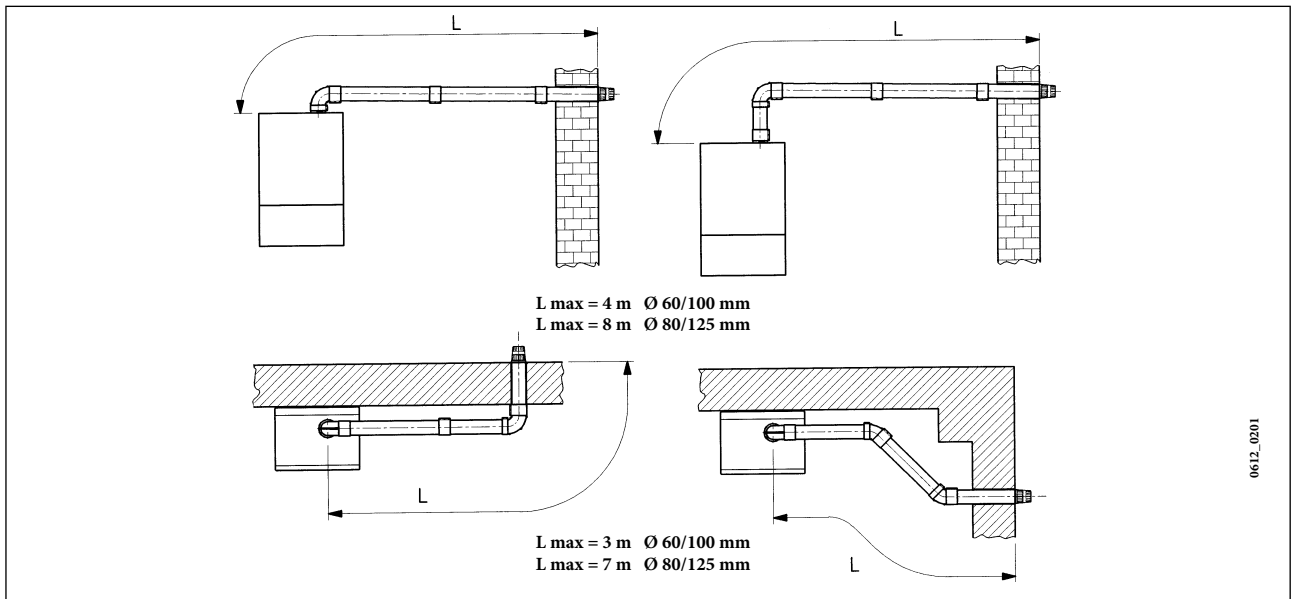
ΜΟΝΤΕΛΟ ΛΕΒΗΤΑ	ΜΕΓΙΣΤΟ ΜΗΚΟΣ (m)	ΔΙΑΦΡΑΓΜΑ ΑΠΟΡΡΟΦΗΣΗΣ (A) (mm)
BOYLER DIGIT 240/40 Fi - 240/60 Fi	0,5	73
	0,5 ÷ 2	80
	2 ÷ 4	Όχι
BOYLER DIGIT 280/60 Fi	0 ÷ 1	76
	1 ÷ 4	Όχι

Σε περίπτωση απαγωγής στο εξωτερικό του κτιρίου ο αγωγός απαγωγής-αναρρόφησης πρέπει να εξέρχεται τουλάχιστον κατά 18 mm από τον τοίχο για να επιτρέπεται η τοποθέτηση ροζέτας αλουμινίου και το σφράγισμα της ώστε να αποφεύγεται η είσοδος νερού.

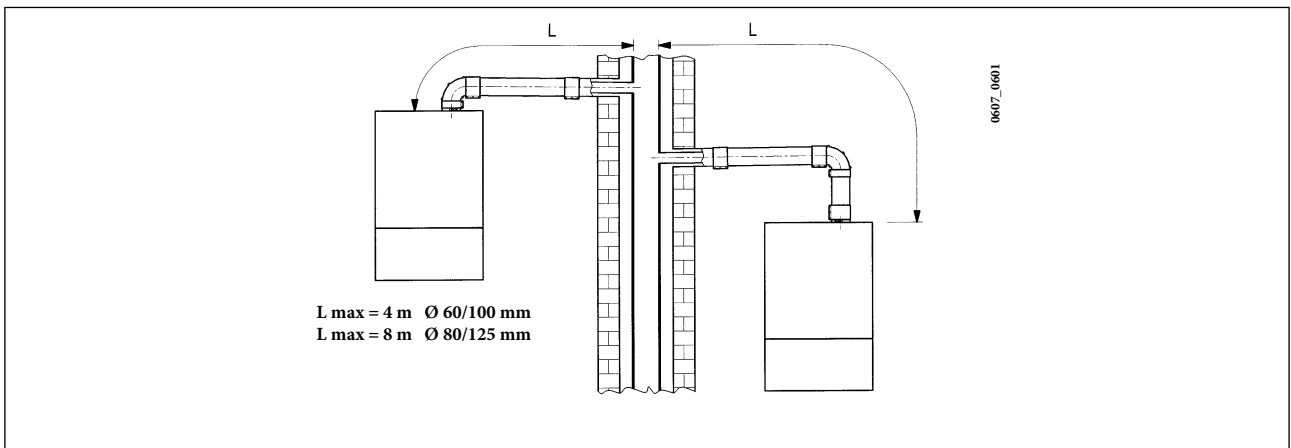
Η ελάχιστη κλίση προς τα έξω των αγωγών αυτών πρέπει να είναι 1 cm ανά μέτρο μήκους.

- Η εισαγωγή γωνίας 90° μειώνει το συνολικό μήκος του αγωγού κατά 1 μέτρο.
- Η εισαγωγή γωνίας 45° μειώνει το συνολικό μήκος του αγωγού κατά 0,5 μέτρα.

16.1 ΠΑΡΑΔΕΙΓΜΑΤΑ ΕΓΚΑΤΑΣΤΑΣΗ ΜΕ ΟΡΙΖΟΝΤΙΟΥΣ ΑΓΩΓΟΥΣ

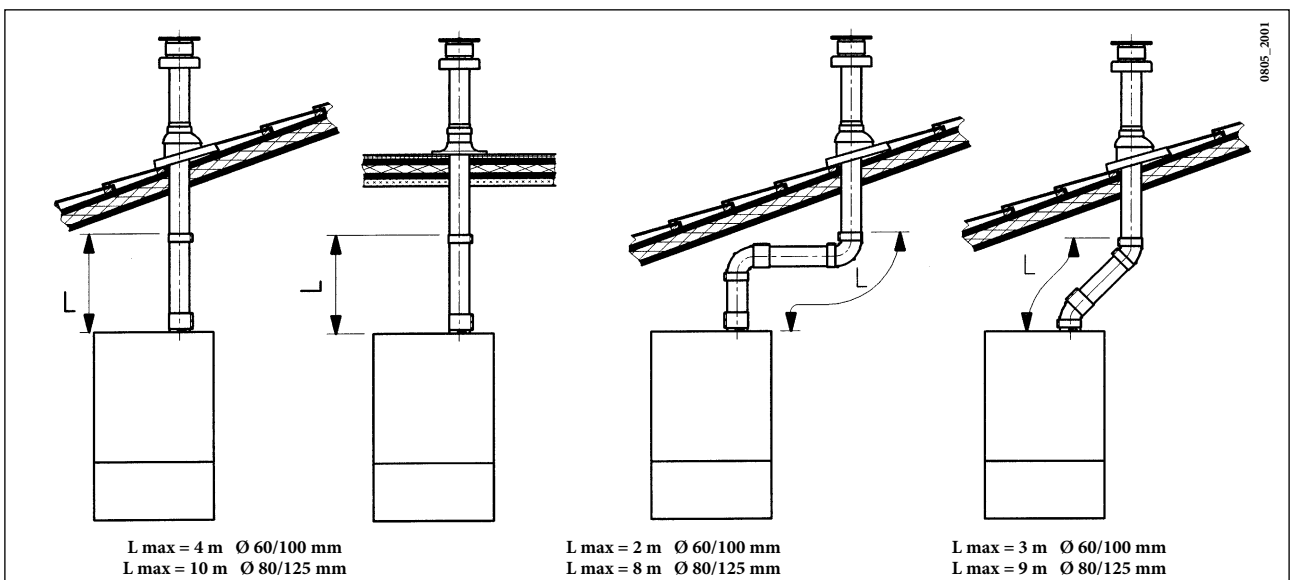


16.2 ΠΑΡΑΔΕΙΓΜΑΤΑ ΕΓΚΑΤΑΣΤΑΣΗΣ ΜΕ ΚΑΠΝΟΔΟΧΟΥΣ ΤΥΠΟΥ LAS



16.3 ΠΑΡΑΔΕΙΓΜΑΤΑ ΕΓΚΑΤΑΣΤΑΣΗΣ ΜΕ ΚΑΤΑΚΟΡΥΦΟΥΣ ΑΓΩΓΟΥΣ

Η εγκατάσταση μπορεί να γίνει είτε με κεκλιμένη, είτε με επίπεδη στέγη χρησιμοποιώντας το εξάρτημα καμινάδας και το ειδικό κεραμίδι με τσιμούχα που διατίθεται κατόπιν παραγγελίας.



Για λεπτομερέστερες οδηγίες σχετικά με την τοποθέτηση των εξαρτημάτων, συμβουλευθείτε τις τεχνικές οδηγίες που συνοδεύουν τα εξαρτήματα.

ΧΩΡΙΣΤΟΙ ΑΓΩΓΟΙ ΑΠΑΓΩΓΗΣ-ΑΝΑΡΡΟΦΗΣΗΣ

Ο αγωγός αυτού του τύπου επιτρέπει την απαγωγή των καυσαερίων τόσο στο εξωτερικό του κτιρίου, όσο και σε μεμονωμένες καπνοδόχους.

Η αναρρόφηση του αέρα καύσης μπορεί να γίνει σε διαφορετικές θέσεις από εκείνες της απαγωγής.

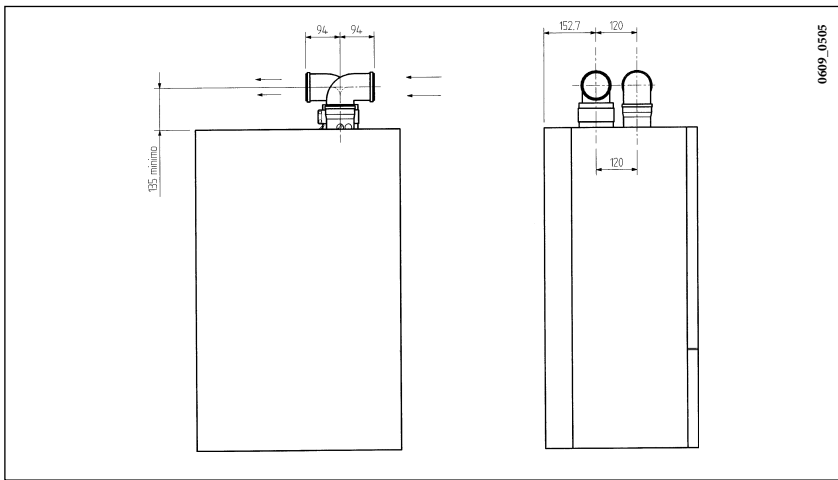
Το κιτ διαχωρισμού αποτελείται από ένα ρακόρ συστολής του αγωγού απαγωγής (100/80) και από ένα ρακόρ αναρρόφησης αέρα.

Η τσιμούχα και οι βίδες του ρακόρ αναρρόφησης αέρα που θα χρησιμοποιηθούν είναι αυτές που αφαιρέθηκαν προηγουμένως από το καπάκι.

Το διάφραγμα που υπάρχει στο λέβητα πρέπει να αφαιρεθεί σε περίπτωση εγκατάστασης με αυτούς τους αγωγούς.

ΣΗΜΕΙΩΣΗ: η πρώτη γωνία 90°C δεν υπεισέρχεται στον υπολογισμό του μέγιστου διαθέσιμου μήκους.

Η γωνία 90° επιτρέπει τη σύνδεση του λέβητα στους αγωγούς απαγωγής και αναρρόφησης προς οποιαδήποτε κατεύθυνση χάρη στη δυνατότητα περιστροφής κατά 360°. Επιπλέον, μπορεί να χρησιμοποιηθεί ως εφεδρική γωνία σε συνδυασμό με τον αγωγό ή τη γωνία 45°.



- Η εισαγωγή γωνίας 90° μειώνει το συνολικό μήκος του αγωγού κατά 0,5 μέτρα.
- Η εισαγωγή γωνίας 45° μειώνει το συνολικό μήκος του αγωγού κατά 0,25 μέτρα.

Ρύθμιση αέρα για χωρισμένη απαγωγή

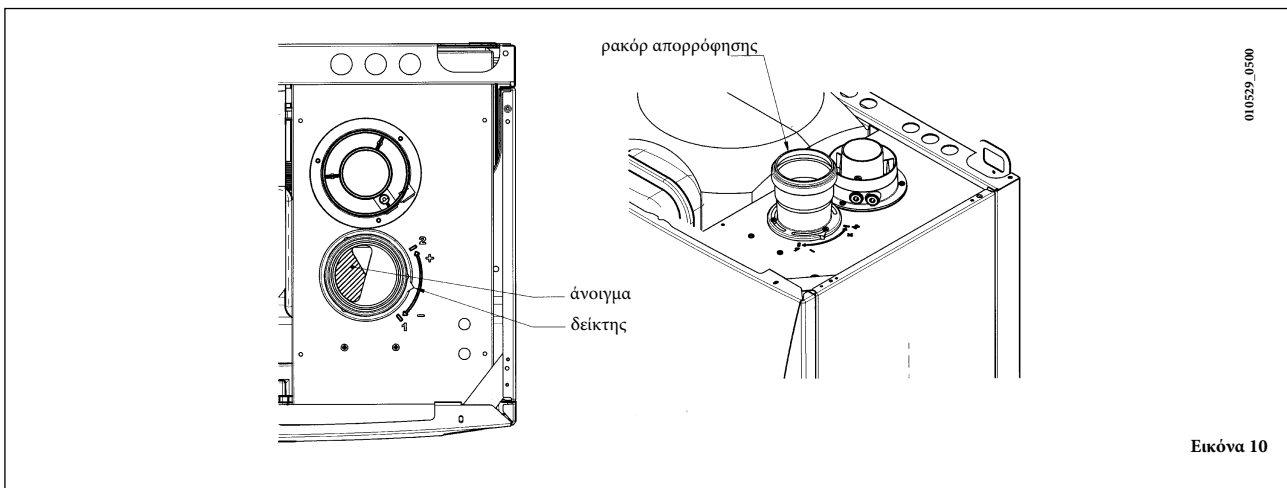
παραμέτρων της καύσης.

Στρέφοντας το ρακόρ απορρόφησης αέρα γίνεται ρυθμίζεται κατάλληλα η περίσσεια καύσιμου αέρα σε συνάρτηση με το ολικό μήκος των αγωγών απαγωγής και απορρόφησης του καύσιμου αέρα.

Στρέψτε τον ρυθμιστή αυτόν δεξιόστροφα για να μειώσετε την περίσσεια καύσιμου αέρα και αντίστροφα για να την αυξήσετε.

Για μεγαλύτερη βελτιστοποίηση μπορείτε να μετρήσετε, με τη χρήση ενός αναλυτή προϊόντων καύσης, την περιεκτικότητα CO₂ στα καυσαέρια στη μέγιστη θερμική παροχή, και ρυθμίστε βαθμιαία το ρυθμιστή αέρα μέχρι να καταγραφεί η περιεκτικότητα CO₂ που αναφέρεται στον ακόλουθο πίνακα, αν από την ανάλυση καταγραφεί μικρότερη τιμή.

Για τη σωστή συναρμολόγηση της διάταξης αυτής βλέπε επίσης και τις οδηγίες που συνοδεύουν το ίδιο το αξεσουάρ.



Εικόνα 10

	ΜΕΓΙΣΤΟ ΜΗΚΟΣ	ΘΕΣΗ ΡΥΘΜΙΣΤΗ	CO2%		
	L1+L2 (m)	AFR	G20	G30	G31
240/40 Fi - 240/60 Fi	0 ÷ 20	1	6,7	8,7	8,7
	20 ÷ 30	2			
280/60 Fi	0 ÷ 20	1	6,0	8,0	8,0
	20 ÷ 30	2			

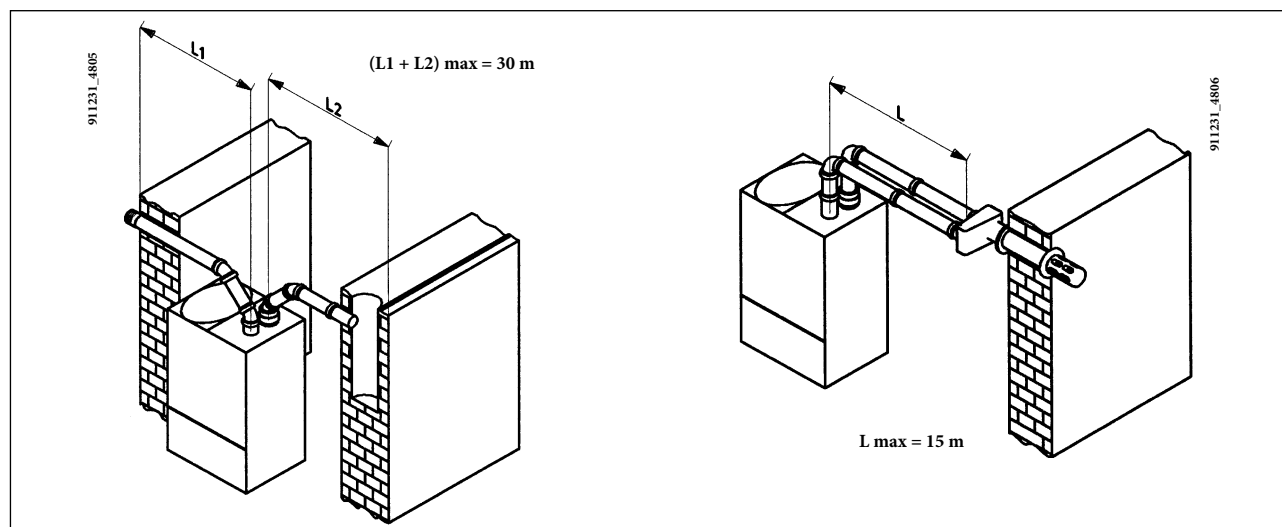
ΣΗΜΕΙΩΣΗ: Για την τυπολογία C52 τα τερματικά για την απορρόφηση του καύσιμου αέρα και για την εκκένωση των προϊόντων καύσης δεν πρέπει να προβλέπονται σε τοίχους αντίθετους της οικοδομής. Ο αγωγός απορρόφησης πρέπει να έχει μέγιστο μήκος 10 μέτρων.

Σε περίπτωση μήκους του αγωγού απαγωγής μεγαλύτερου των 6 μέτρων πρέπει να εγκαταστήσετε, πλησίον του λέβητα, το κιτ συλλογής συμπυκνώματος που παρέχεται ως αξεσουάρ.

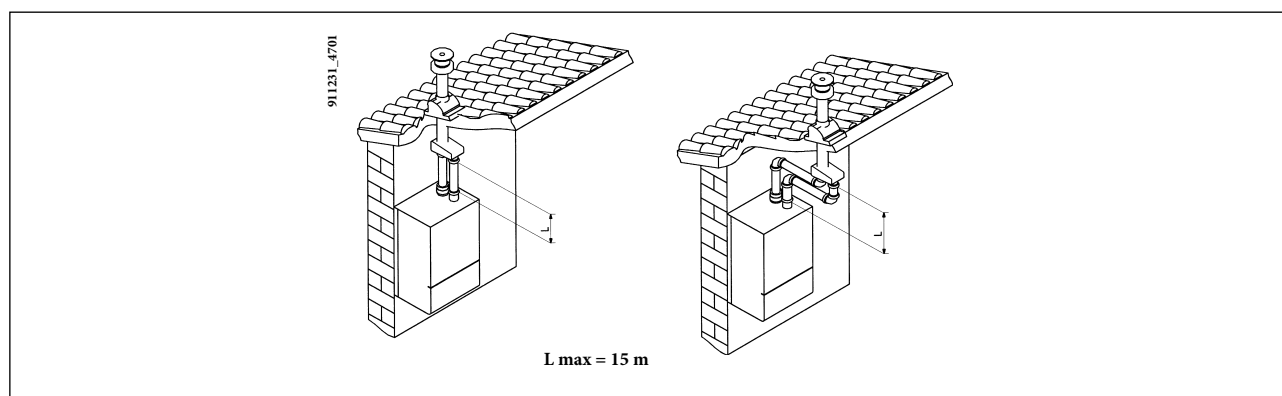
ΣΗΜΑΝΤΙΚΟ: ο ατομικός αγωγός για εκκένωση προϊόντων καύσης πρέπει να μονώνεται δεόντως, στα σημεία όπου ο ίδιος έρχεται σε επαφή με τους τοίχους της κατοικίας, με κατάλληλη μόνωση (παράδειγμα στρωματάκι από υαλοβάμβακα). Για πιο διεξοδικές πληροφορίες για τους τρόπους συναρμολόγησης των αξεσουάρ βλέπε τις τεχνικές πληροφορίες που συνοδεύουν τα ίδια τα αξεσουάρ.

16.4 ΠΑΡΑΔΕΙΓΜΑΤΑ ΕΓΚΑΤΑΣΤΑΣΗΣ ΜΕ ΟΡΙΖΟΝΤΙΟΥΣ ΧΩΡΙΣΤΟΥΣ ΑΓΩΓΟΥΣ

ΣΗΜΑΝΤΙΚΟ: Η ελάχιστη κλίση προς τα έξω του αγωγού απαγωγής πρέπει να είναι 1 cm ανά μέτρο μήκους. Σε περίπτωση εγκατάστασης του κιτ νεροπαγίδας η κλίση του αγωγού απαγωγής πρέπει να έχει κατεύθυνση προς το λέβητα.



16.5 ΠΑΡΑΔΕΙΓΜΑΤΑ ΕΓΚΑΤΑΣΤΑΣΗΣ ΜΕ ΚΑΤΑΚΟΡΥΦΟΥΣ ΧΩΡΙΣΤΟΥΣ ΑΓΩΓΟΥΣ



17. ΗΛΕΚΤΡΙΚΗ ΣΥΝΔΕΣΗ

Η ηλεκτρική ασφάλεια της συσκευής επιτυγχάνεται μόνον όταν συνδεθεί σωστά σε αποτελεσματική εγκατάσταση γείωσης, σύμφωνα με τους ισχύοντες κανονισμούς ασφαλείας για τις εγκαταστάσεις.

Ο λέβητας πρέπει να συνδεθεί με μονοφασικό δίκτυο τροφοδοσίας 230 V μονοφασικά + γείωση μέσω του διατιθέμενου τριπολικού καλωδίου τηρώντας την πολικότητα ΓΡΑΜΜΗ-ΟΥΔΕΤΕΡΟ.

Η σύνδεση πρέπει να γίνεται μέσω διπολικού διακόπτη με άνοιγμα επαφών τουλάχιστον 3 mm.

Σε περίπτωση αντικατάστασης του ηλεκτρικού καλωδίου πρέπει να χρησιμοποιηθεί εναρμονισμένο καλώδιο "HAR H05 W-F" 3x0,75 mm² με μέγιστη διάμετρο 8 mm.

Πρόσβαση στη βάση ακροδεκτών τροφοδοσίας

- διακόψτε την τροφοδοσία του λέβητα μέσω του διπολικού διακόπτη
- ξεβιδώστε τις δύο βίδες στερέωσης του πίνακα χειριστηρίων στο λέβητα
- γυρίστε τον πίνακα χειριστηρίων
- βγάλτε το καπάκι για να αποκτήσετε πρόσβαση στις ηλεκτρικές συνδέσεις (εικόνα 11).

Οι ασφάλειες ταχείας τήξεως των 2A είναι ενσωματωμένες στη βάση ακροδεκτών τροφοδοσίας (βγάλτε τη μαύρη ασφαλειοθήκη για να έλεγχο ή αντικατάσταση).

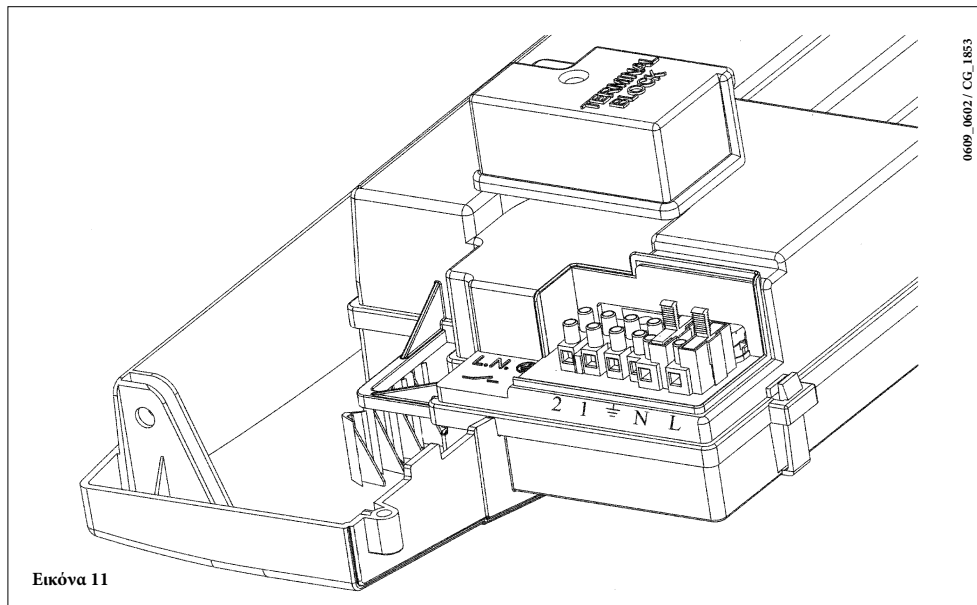
(L) = **Γραμμή** (καφέ)

(N) = **Ουδέτερο** (γαλανό)

(⊕) = **Γείωση** (κιτρινοπράσινο)

(1) (2) = **Επαφή για θερμοστάτη περιβάλλοντος**

ΣΗΜΑΝΤΙΚΟ: τηρήστε την πολικότητα σε τροφοδοσία L (ΓΡΑΜΜΗ) - N (ΟΥΔΕΤΕΡΟ).



ΠΡΟΕΙΔΟΠΟΙΗΣΗ

Σε περίπτωση που η συσκευή συνδέεται απ' ευθείας σε μια επιδαπέδια εγκατάσταση πρέπει να προβλέπεται, με φροντίδα του εγκαταστάτη, ένας θερμοστάτης προστασίας για την προστασία της τελευταίας από υπερβολικά μεγάλες θερμοκρασίες.

18. ΣΥΝΔΕΣΗ ΤΟΥ ΘΕΡΜΟΣΤΑΤΗ ΔΩΜΑΤΙΟΥ

- ανοίξτε τη βάση ακροδεκτών τροφοδοσίας (εικόνα 11) όπως περιγράφεται στο προηγούμενο κεφάλαιο
- βγάλτε το βραχυκυκλωτήρα από τους ακροδέκτες (1) και (2)
- περάστε το διπολικό καλώδιο από τον οδηγό καλωδίου και συνδέστε το στους δύο ακροδέκτες.

19. ΤΡΟΠΟΣ ΑΛΛΑΓΗΣ ΑΕΡΙΟΥ

Ο λέβητας μπορεί να ρυθμιστεί για χρήση μεθανίου (G20) ή υγραερίου (G30, G31) από το εξουσιοδοτημένο Σέρβις.

Για το σκοπό αυτό απαιτούνται οι ακόλουθες ενέργειες:

- A) αντικατάσταση των μπεκ του κεντρικού καυστήρα
- B) αλλαγή τάσης στο διαμορφωτή.
- C) νέα ρύθμιση μέγιστου και ελάχιστου του ρυθμιστή πίεσης

A) Αντικατάσταση των μπεκ ;

- βγάλτε προσεκτικά τον καυστήρα από τη θέση του
- αντικαταστήστε τα μπεκ του καυστήρα φροντίζοντας να τα σφίξετε καλά για την αποφυγή διαρροών αερίου. Η διάμετρος των μπεκ ορίζεται στον πίνακα 1.

Τρόπος αντικατάστασης του μπεκ διαφράγματος (για μοντέλα 240/40i - 240/60i - 240/40Fi και 240/60Fi)

- βγάλτε τον σωλήνα τροφοδοσίας αερίου (1 της Εικόνας 12b)
- αντικαταστήστε τα μπεκ για διάφραγμα μονταρισμένο στη βαλβίδα αερίου (2)
- ξαναμοντάρετε το σωλήνα τροφοδοσίας αερίου.

B) Αλλαγή τάσης στο διαμορφωτή

- ρυθμίστε την παράμετρο F02 ανάλογα με τον τύπο του αερίου, όπως περιγράφεται στο κεφάλαιο 21.

C) Βαθμονόμηση του ρυθμιστή πίεσης

- συνδέστε την είσοδο θετικής πίεσης ενός διαφορικού μανόμετρου, κατά προτίμηση νερού, στην παροχή πίεσης (Pb) της βαλβίδας αερίου (εικόνα 12a). Για τα μοντέλα 240i/Fi χρησιμοποιήστε την παροχή πίεσης (3) που υπάρχει στο σωλήνα τροφοδοσίας αερίου (εικόνα 12b). Συνδέστε, μόνο για τα μοντέλα με στεγανό θάλαμο, την είσοδο αρνητικής πίεσης του ίδιου μανόμετρου σε ειδικό "T" που επιτρέπει την ταυτόχρονη σύνδεση της ρυθμιστικής εξόδου του λέβητα, της ρυθμιστικής εξόδου της βαλβίδας αερίου (Pc) και του μανόμετρου. (Η ίδια μέτρηση μπορεί να γίνει συνδέοντας το μανόμετρο στην παροχή πίεσης (Pb) χωρίς το κάλυμμα πρόσοψης του στεγανού θαλάμου)

Από τη μέτρηση της πίεσης στους καυστήρες με διαφορετικές από τις προαναφερθείσες μεθόδους μπορεί να προκύψουν λανθασμένα αποτελέσματα, καθώς δε λαμβάνεται υπόψη η αρνητική αντίθλιψη η οποία δημιουργείται από τον ανεμιστήρα στο στεγανό θάλαμο.

C1) Ρύθμιση στην ονομαστική ισχύ

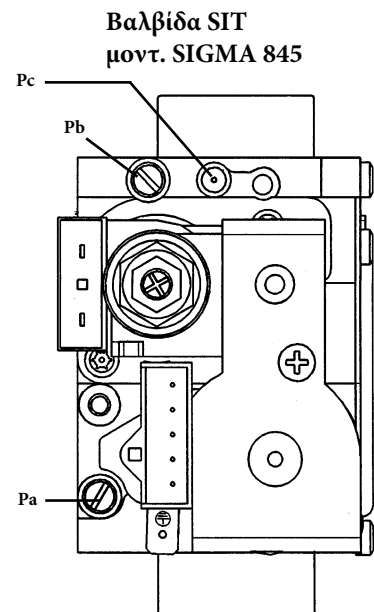
- ανοίξτε το ρουμπινέτο του αερίου
- πιέστε το κουμπί (☺) (παράγραφος 3.2) και διευθετήστε το λέβητα στη θέση χειμερινής λειτουργίας
- ανοίξτε τη βάνα παροχής νερού οικιακής χρήσης σε θέση παροχής τουλάχιστον 10 λίτρων ανά λεπτό ή βεβαιωθείτε ότι πληρούνται οι μέγιστες απαιτήσεις θερμότητας.
- βεβαιωθείτε ότι η δυναμική πίεση τροφοδοσίας του λέβητα η οποία μετράται στην παροχή πίεσης (Pa) της βαλβίδας αερίου (εικόνα 12a) είναι σωστή (30 mbar για βουτάνιο, 37 mbar για προπάνιο ή 20 mbar για μεθάνιο).
- αφαιρέστε το καπάκι του διαμορφωτή
- Ρυθμίστε την μπρούτζινη μέχρι να επιτευχθούν οι τιμές πίεσης που φαίνονται στον πίνακα 1;

C2) Ρύθμιση στη μειωμένη ισχύ

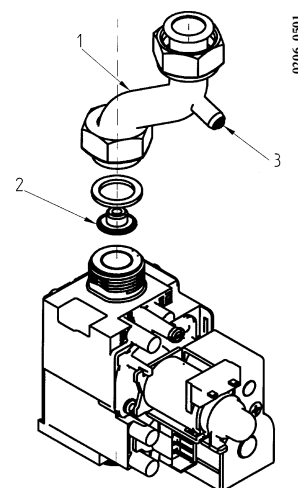
- Αποσυνδέστε το καλώδιο τροφοδοσίας του διαμορφωτή και ξεβιδώστε την κόκκινη βίδα μέχρι να φτάσει την τιμή πίεσης που αντιστοιχεί στη μειωμένη ισχύ (βλέπε πίνακα1)
- επανασυνδέστε το καλώδιο
- τοποθετήστε το καπάκι του διαμορφωτή και ασφαλίστε τη βίδα στερέωσης.

C3) Τελικοί έλεγχοι

- τοποθετήστε την πρόσθετη ετικέτα, που παρέχεται στη μετατροπή, όπου αναγράφεται ο τύπος του αερίου και η ρύθμιση που έγινε.



Εικόνα 12a



Εικόνα 12b (240/40 i - 240/60 i - 240/40 Fi - 240/60 Fi)

Πίνακας πίεσης στον καυστήρα – αποδιδόμενη ισχύς

Τύπος αερίου	240/40 i - 240/60 i			240/40 Fi - 240/60 Fi			280/60 i			280/60 Fi		
	G20	G30	G31	G20	G30	G31	G20	G30	G31	G20	G30	G31
Διάμετρος μπεκ (mm)	1,18	0,69	0,69	1,18	0,69	0,69	1,18	0,69	0,69	1,18	0,69	0,69
Πίεση καυστήρα (mbar*)												
ΙΣΧΥΣ ΜΕΙΩΜΕΝΗ (mbar)	1,6	3,9	6,9	1,6	3,9	6,9	1,6	3,8	5,7	1,7	4,3	5,9
Πίεση καυστήρα (mbar*)												
ΟΝΟΜΑΣΤΙΚΗ ΙΣΧΥΣ (mbar)	7,7	19,8	25,6	8,1	20,6	26,3	10,3	27,6	35,4	10,6	28,1	35,6
1' διάφραγμα διαμέτρου	4,5	3,5	3,5	4,5	3,5	3,5	-	-	-	-	-	-
Αριθμός μπεκ	18											

* 1 mbar = 10,197 mm H₂O

Πίνακας 1

Πίνακας καταναλώσεων

Κατανάλωση 15 °C - 1013 mbar	240/40 i - 240/60 i			280/60 i		
	G20	G30	G31	G20	G30	G31
ΟΝΟΜΑΣΤΙΚΗ ΙΣΧΥΣ	2,87 m ³ /h	2,14 Kg/h	2,11 Kg/h	3,29 m ³ /h	2,45 Kg/h	2,42 Kg/h
ΜΕΙΩΜΕΝΗ ΙΣΧΥΣ	1,26 m ³ /h	0,94 Kg/h	0,92 Kg/h	1,26 m ³ /h	0,94 Kg/h	0,92 Kg/h
p.c.i.	34,02 MJ/m ³	45,60 MJ/Kg	46,30 MJ/Kg	34,02 MJ/m ³	45,60 MJ/Kg	46,30 MJ/Kg

Πίνακας 2

Κατανάλωση 15 °C - 1013 mbar	240/40 Fi - 240/60 Fi			280/60 Fi		
	G20	G30	G31	G20	G30	G31
ΟΝΟΜΑΣΤΙΚΗ ΙΣΧΥΣ	2,78 m ³ /h	2,07 Kg/h	2,04 Kg/h	3,18 m ³ /h	2,37 Kg/h	2,34 Kg/h
ΜΕΙΩΜΕΝΗ ΙΣΧΥΣ	1,26 m ³ /h	0,94 Kg/h	0,92 Kg/h	1,26 m ³ /h	0,94 Kg/h	0,92 Kg/h
p.c.i.	34,02 MJ/m ³	45,60 MJ/Kg	46,30 MJ/Kg	34,02 MJ/m ³	45,60 MJ/Kg	46,30 MJ/Kg

Πίνακας 2

20. ΑΠΕΙΚΟΝΙΣΗ ΠΛΗΡΟΦΟΡΙΩΝ

20.1 ΠΛΗΡΟΦΟΡΙΕΣ ΑΝΑΜΜΑΤΟΣ ΟΘΟΝΗΣ

Για τις σωστές ενέργειες ανάμματος προχωρήστε όπως περιγράφεται στη συνέχεια:

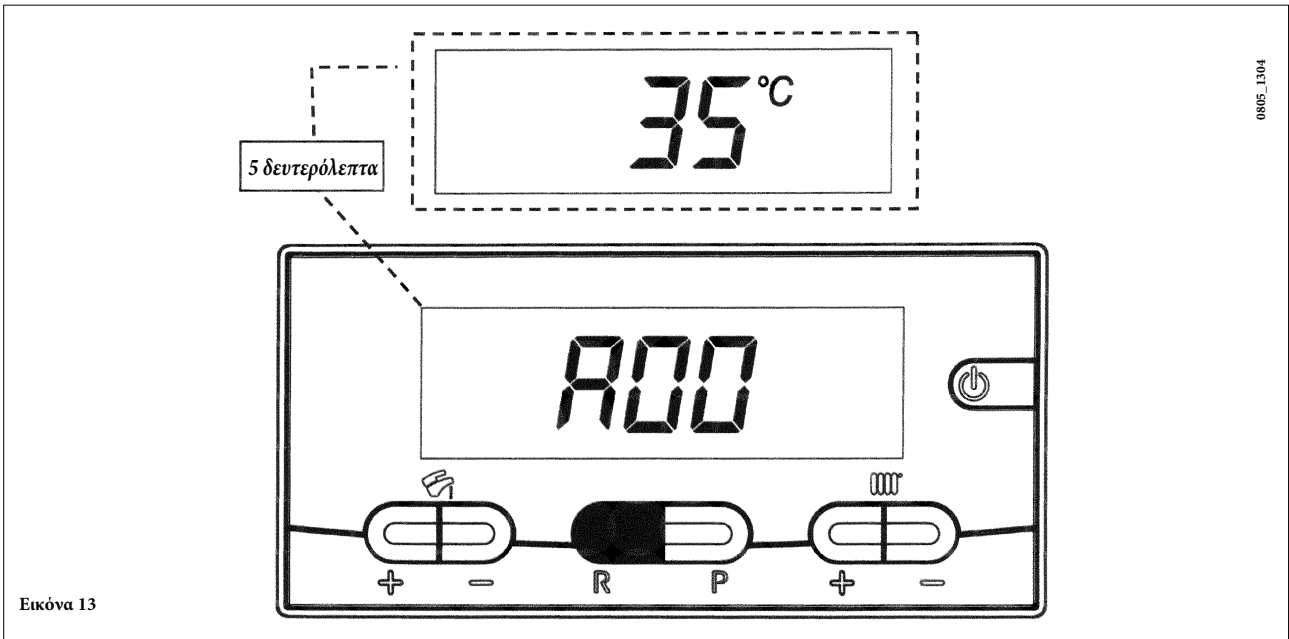
- Τροφοδοτήστε με ρεύμα το λέβητα.
Όταν ο λέβητας τροφοδοτείται ηλεκτρικά, για τα πρώτα 10 δευτερόλεπτα περίπου, η οθόνη απεικονίζει τις ακόλουθες πληροφορίες:
 1. όλα τα σύμβολα αναμμένα
 2. πληροφορίες παραγωγού
 3. πληροφορίες παραγωγού
 4. πληροφορίες παραγωγού
 5. τύπος λέβητα και χρησιμοποιούμενου αερίου (π.χ. \square Γ).

\square = λέβητας με ανοιχτό θάλαμο \square = λέβητας με στεγανό θάλαμο ;
 Γ = χρησιμοποιούμενο αέριο ΦΥΣΙΚΟ \square = χρησιμοποιούμενο αέριο GPL.
- 6. ρύθμιση υδραυλικού κυκλώματος
- 7. έκδοση software (δύο αριθμοί x.x);
- Ανοίξτε τη στρόφιγγα του αερίου.
- Πιέστε το κουμπί \odot (περίπου 2 δευτερόλεπτα) για να θέσετε την κατάσταση λειτουργίας του λέβητα όπως περιγράφεται στην παράγραφο 3.2.

20.2 ΠΛΗΡΟΦΟΡΙΕΣ ΛΕΙΤΟΥΡΓΙΑΣ

Για την απεικόνιση στην οθόνη μερικών πληροφοριών λειτουργίας του λέβητα, προχωρήστε όπως περιγράφεται στη συνέχεια:

- Κρατήστε πατημένο το κουμπί **R** για περίπου 6 δευτερόλεπτα. Όταν η λειτουργία είναι ενεργή η οθόνη απεικονίζει την ένδειξη «A00» (... «A07») που εναλλάσσεται στη σχετική τιμή (εικόνα 13);



- Ενεργήστε στα κουμπιά +/- ρύθμισης της θερμοκρασίας του ζεστού νερού οικιακής χρήσης (☞) για την απεικόνιση των ακόλουθων πληροφοριών:

A00:	τιμή (°C) στιγμιαία της θερμοκρασίας νερού οικιακής χρήσης (A.C.S.)
A01:	τιμή (°C) στιγμιαία της εξωτερικής θερμοκρασίας (με εξωτερικό αισθητήρα συνδεδεμένο)
A02:	τιμή (%) του ρεύματος στο διαμορφωτή (100% = 230 mA ΜΕΘΑΝΙΟ -100% = 310 mA GPL)
A03:	τιμή (%) του range ισχύος (MAX R) – Παράμετρος F13 (παράμετρος 21)
A04:	τιμή (°C) θερμοκρασίας του set-point θέρμανσης
A05:	τιμή (°C) στιγμιαία της θερμοκρασίας παροχής θέρμανσης
A06:	δεν χρησιμοποιείται
A07:	τιμή (%) σήματος φλόγας (8-100%).

ΣΗΜΕΙΩΣΗ: οι γραμμές απεικόνισης A08 και A09 δεν χρησιμοποιούνται.

- Η λειτουργία αυτή παραμένει ενεργή για χρόνο 3 λεπτών. Μπορείτε να διακόψετε εκ των προτέρων τη λειτουργία “INFO” πιέζοντας το κουμπί **⏻**.

20.3 ΑΠΕΙΚΟΝΙΣΗ ΑΝΩΜΑΛΙΩΝ

ΣΗΜΕΙΩΣΗ: Μπορείτε να διενεργήσετε 5 διαδοχικές προσπάθειες επανοπλισμού, μετά τις οποίες ο λέβητας παραμένει μπλοκαρισμένος. Για τη διενέργεια μιας νέας προσπάθειας επανοπλισμού, ενεργήστε με τον ακόλουθο τρόπο:

- Πιέστε το κουμπί **⏻** επιλέγοντας «ΣΒΗΣΤΟ» (όπως περιγράφεται στην παράγραφο 3.2;
- Πιέστε το κουμπί **R** forγια περίπου 2 δευτερόλεπτα, η οθόνη απεικονίζει την ένδειξη «OFF»;
- Αποκαταστήστε τον τρόπο λειτουργίας του λέβητα.

Οι κωδικοί και η περιγραφή των ανωμαλιών αναφέρονται στην παράγραφο 9.

20.4 ΣΥΜΠΛΗΡΩΜΑΤΙΚΕΣ ΠΛΗΡΟΦΟΡΙΕΣ

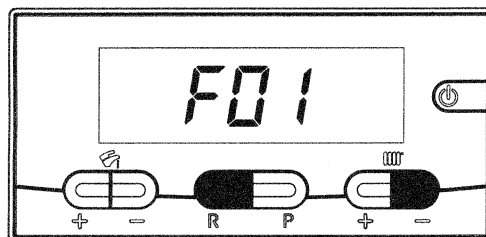
Για την πληρότητα των τεχνικών πληροφοριών συμβουλευτείτε το έγγραφο «ΟΔΗΓΙΕΣ ΓΙΑ ΤΟ ΣΕΡΒΙΣ».

21. ΡΥΘΜΙΣΗ ΠΑΡΑΜΕΤΡΩΝ

Για να ρυθμίσετε τις παραμέτρους του λέβητα, πατήστε ταυτόχρονα τα κουμπιά R και - (⏏) για τουλάχιστον 6 δευτερόλεπτα. Όταν η λειτουργία ενεργοποιηθεί, στην οθόνη εμφανίζεται η ένδειξη "F01" εναλλάξ με την τιμή της απεικονιζόμενης παραμέτρου.

Τροποποίηση παραμέτρων

- Πατήστε τα κουμπιά +/- (⏏) για να μετακινηθείτε ανάμεσα στις παραμέτρους;
- Πατήστε τα κουμπιά +/- (⏏) για να αλλάξετε την τιμή μιας παραμέτρου
- Πατήστε το κουμπί P για να αποθηκεύσετε την τιμή. Στην οθόνη εμφανίζεται η ένδειξη "MEM"
- Πατήστε το κουμπί ⏏, για έξοδο από τη λειτουργία χωρίς αποθήκευση. Στην οθόνη εμφανίζεται η ένδειξη "ESC".



0606_2903

	Περιγραφή παραμέτρων	Εργοστασιακές ρυθμίσεις			
		240/40 Fi - 240/60 Fi	240/40 i - 240/60 i	280/60 i	280/60 Fi
F01	Τύπος λέβητα 10 = στεγανός θάλαμος - 20 = θάλαμος ανοιχτός	10	20	20	10
F02	Τύπος χρησιμοποιούμενου αερίου 00 = ΜΕΘΑΝΙΟ - 01 = GPL	00 ο 01			
F03	Υδραυλικό σύστημα	06			
F04	Ρύθμιση προγραμματιζόμενο ρελέ 1 (02 = σύστημα με ζώνες - Βλέπε οδηγίες Σέρβις)	02			
F05	Ρύθμιση προγραμματιζόμενο ρελέ 2 (Βλέπε οδηγίες Σέρβις)	04			
F06	Διαμόρφωση εξωτ. αισθητήρα (Βλέπε οδηγίες Σέρβις).	00			
F07...F12	Πληροφορίες παραγωγού	00			
F13	Μέγιστη ισχύς θέρμανσης (0-100%)	100			
F14	Μέγιστη ισχύς ζεστού νερού οικιακής χρήσης (0-100%)	100			
F15	Ελάχιστη ισχύς θέρμανσης (0-100%)	00			
F16	Ρύθμιση μέγιστου setpoint (°C) θέρμανσης 00 = 85°C - 01 = 45°C	00			
F17	Χρόνος μετακυκλοφορίας αντλίας σε θέρμανση (01-240 λεπτά)	03			
F18	Χρόνος αναμονής σε θέρμανση πριν από ένα νέο άναμμα (00-10 λεπτά) - 00=10 δευτερόλεπτα	03			
F19	Πληροφορίες παραγωγού	07			
F20	Πληροφορίες παραγωγού	00			
F21	Λειτουργία αντιλεγιονέλας 00 = Ανενεργή - 01 = Ενεργή	00			
F22	Πληροφορίες παραγωγού	00			
F23	Μέγιστο setpoint ζεστού νερού (ACS)	65			
F24	Πληροφορίες παραγωγού	35			
F25	Προστατευτική διάταξη απουσίας νερού	01			
F26...F29	Πληροφορίες παραγωγού (παραμετροί μόνο ανάγνωσης)	--			
F30	Πληροφορίες παραγωγού	10			
F31	Πληροφορίες παραγωγού	00			
F32...F41	Διαγνωστική (Βλέπε οδηγίες Σέρβις)	--			
Τελευταία παράμετρος	Ενεργοποίηση λειτουργίας βαθμονόμησης (Βλέπε οδηγίες Σέρβις)	0			

ΠΡΟΣΟΧΗ: μην τροποποιείτε την τιμή των παραμέτρων «Πληροφορίες παραγωγού».

22. ΔΙΑΤΑΞΕΙΣ ΡΥΘΜΙΣΗΣ ΚΑΙ ΑΣΦΑΛΕΙΑΣ

Ο λέβητας κατασκευάζεται για να ικανοποιεί όλες τις προδιαγραφές των ευρωπαϊκών προτύπων αναφοράς, ειδικότερα διαθέτει:

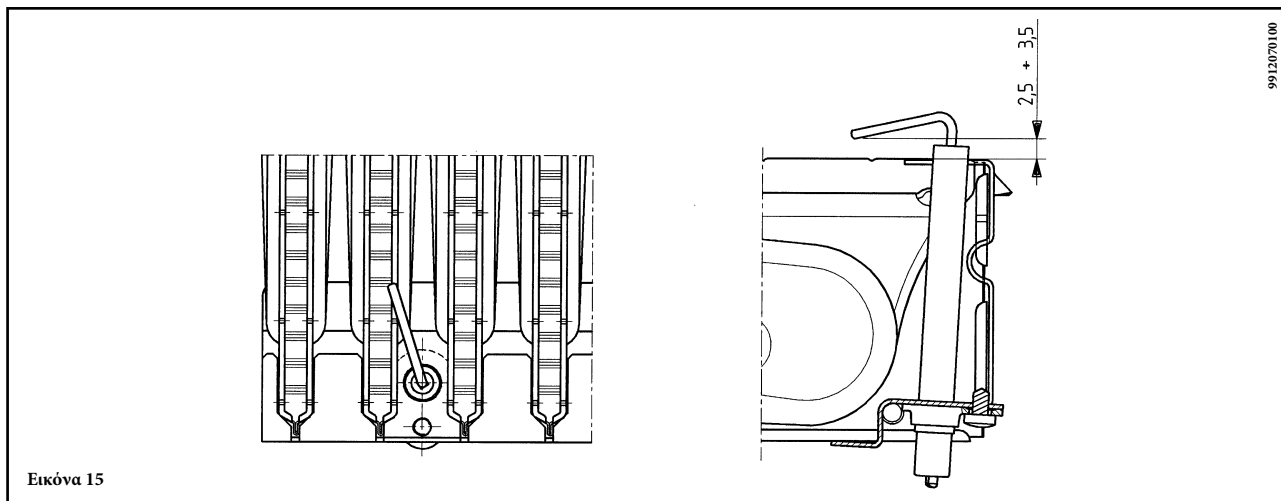
- **Πιεζοστάτη αέρα για μοντέλα εξαναγκασμένης ροής (240 Fi-240/60 Fi και 280/60 Fi)**
Η διάταξη αυτή επιτρέπει το άναμμα του κύριου καυστήρα μόνο σε περίπτωση τέλει αποτελεσματικότητας του κυκλώματος απαγωγής των καπνών.
Παρουσία κάποιων εκ των κατωτέρω ανωμαλιών:
 - τερματικό εκκένωσης εμφραγμένο
 - venturī εμφραγμένο
 - ανεμιστήρας μπλοκαρισμένος
 - σύνδεση venturī – πιεζοστάτης αποσυνδεδεμένοςο λέβητας παραμένει εν αναμονή επισημαινώντας τον κωδικό σφάλματος E03 (βλέπε πίνακα παραγράφου 9).
- **Θερμοστάτης καπνών για μοντέλα φυσικού ελκυσμού (240/40i - 240/60i και 280/60i)**
Το σύστημα αυτό, ο αισθητήρας του οποίου βρίσκεται στην αριστερή πλευρά της καπνοδόχου, διακόπτει τη ροή του αερίου στον κύριο καυστήρα σε περίπτωση βουλωμένης καμινάδας και/ή ανεπαρκούς ελκυσμού.
Στις συνθήκες αυτές, ο λέβητας τίθεται σε κατάσταση εμπλοκής και μόνο αφού εξουδετερωθεί το αίτιο της επέμβασης μπορεί να επαναληφθεί το άναμμα (παράγραφος 9).
- **Θερμοστάτης ασφαλείας**
Το σύστημα αυτό, ο αισθητήρας του οποίου βρίσκεται στην κατάθλιψη της θέρμανσης, διακόπτει τη ροή του αερίου στον καυστήρα σε περίπτωση υπερθέρμανσης του νερού στο πρωτεύον κύκλωμα. Στις συνθήκες αυτές, ο λέβητας τίθεται σε κατάσταση εμπλοκής και μόνο μετά την εξουδετέρωση της αιτίας επέμβασης επιτρέπεται το άναμμα (παράγραφος 9).

Απαγορεύεται η απενεργοποίηση αυτής της διάταξης ασφαλείας

- **Ανιχνευτής ιονισμού φλόγας**
Το ηλεκτρόδιο ανίχνευσης εγγυάται την ασφαλή λειτουργία σε περίπτωση διακοπής της παροχής αερίου ή ατελούς εσωτερικής ανάφλεξης του κύριου καυστήρα.
Στις συνθήκες αυτές ο λέβητας τίθεται σε κατάσταση εμπλοκής. Για την αποκατάσταση των ομαλών συνθηκών λειτουργίας, βλέπε την παρ. 9.
- **Υδραυλικός διαφορικός πιεζοστάτης**
Το σύστημα αυτό, μονταρισμένο στο υδραυλικό σύστημα, επιτρέπει το άναμμα του κύριου καυστήρα μόνον εάν η αντλία είναι σε θέση να παράσχει το αναγκαίο μανομετρικό ύψος και χρησιμεύει ως προστασία για τον ανταλλάκτη νερού-καπνών από ενδεχόμενη απουσία νερού ή μπλοκάρισμα της ίδιας της αντλίας.
- **Μετακυκλοφορία αντλίας**
Η μετακυκλοφορία της αντλίας επιτυγχάνεται ηλεκτρονικά, έχει διάρκεια 3 λεπτών και ενεργοποιείται κατά τη διάρκεια της λειτουργία θέρμανσης, μετά το σβήσιμο του κύριου καυστήρα λόγω της επέμβασης του θερμοστάτη δωματίου.
- **Σύστημα αντιπαγωγικής προστασίας**
Η ηλεκτρονική διαχείριση του λέβητα είναι εφοδιασμένη με “αντιπαγωγική” προστασία στη λειτουργία θέρμανσης ώστε με θερμοκρασία κατάθλιψης μικρότερης των 5 °C να τίθεται σε λειτουργία ο καυστήρας μέχρι η θερμοκρασία κατάθλιψης να φθάσει περίπου τους 30 °C. Αυτή η λειτουργία είναι ενεργή εάν ο λέβητας τροφοδοτείται με ηλεκτρισμό, εάν υπάρχει αέριο και εάν η πίεση της εγκατάστασης είναι η προκαθορισμένη.
- **Λειτουργία αντι-λεγιονέλας**
Η λειτουργία αντι-λεγιονέλας ΔΕΝ είναι ενεργή.
Για την ενεργοποίηση της λειτουργίας, θέστε την παράμετρο F21=01 (όπως περιγράφεται στην παράγραφο 21). Όταν η λειτουργία είναι ενεργή, η ηλεκτρονική διαχείριση του λέβητα, σε διαστήματα μιας εβδομάδας, φέρνει το νερό που περιέχεται στο μπόιλερ σε μια θερμοκρασία μεγαλύτερη των 60°C (η λειτουργία είναι ενεργή μόνο αν το νερό δεν ξεπέρασε ποτέ τους 60°C στις προηγούμενες 7 μέρες).
- **Λειτουργία αντι-μπλοκαρίσματος αντλίας**
Σε περίπτωση που δεν υπάρχει αίτηση θερμότητας, σε λειτουργία θέρμανσης ή/και ζεστού νερού οικιακής χρήσης, για χρονικό διάστημα 24 συνεχών ωρών, η αντλία τίθεται αυτόματα σε λειτουργία για 10 δευτερόλεπτα. Αυτή η λειτουργία είναι ενεργή εάν ο λέβητας τροφοδοτείται με ηλεκτρισμό.
- **Λειτουργία αντι-μπλοκαρίσματος τριόδου αντλίας**
Σε περίπτωση που δεν υπάρχει αίτηση θερμότητας, σε λειτουργία θέρμανσης, για χρονικό διάστημα 24 ωρών η τριόδη βαλβίδα διενεργεί μια πλήρη μεταλλαγή. Αυτή η λειτουργία είναι ενεργή εάν ο λέβητας τροφοδοτείται με ηλεκτρισμό.
- **Υδραυλική βαλβίδα ασφαλείας (κύκλωμα θέρμανσης)**
Η διάταξη αυτή, βαθμονομημένη σε 3 bar, εξυπηρετεί το κύκλωμα θέρμανσης.
- **Υδραυλική βαλβίδα ασφαλείας (κύκλωμα ζεστού νερού)**
Η διάταξη αυτή, βαθμονομημένη σε 3 bar, εξυπηρετεί το κύκλωμα ζεστού νερού (μπόιλερ).

Συνιστάται η σύνδεση της βαλβίδας ασφαλείας σε αποχέτευση με σιφόνι. Απαγορεύεται η χρήση της ως μέσου αποστράγγισης του κυκλώματος θέρμανσης ή/και ζεστού νερού.

23. ΤΟΠΟΘΕΤΗΣΗ ΗΛΕΚΤΡΟΔΙΟΥ ΑΝΑΦΛΕΞΗΣ ΚΑΙ ΑΝΙΧΝΕΥΣΗΣ ΦΛΟΓΑΣ



24. ΕΛΕΓΧΟΣ ΤΩΝ ΠΑΡΑΜΕΤΡΩΝ ΚΑΥΣΗΣ

Για την επιτόπου μέτρηση της απόδοσης καύσης και της υγιεινής των καυσαερίων τα μοντέλα λέβητα εξαναγκασμένης ροής διαθέτουν δύο υποδοχές ευρισκόμενες στο ομοκεντρικό ρακόρ που προορίζονται για το συγκεκριμένο σκοπό.

Η μία παροχή είναι συνδεδεμένη στο κύκλωμα απαγωγής των καυσαερίων και επιτρέπει μετρήσεις για την υγιεινή των καυσαερίων και την απόδοση της καύσης.

Η άλλη παροχή είναι συνδεδεμένη στο κύκλωμα αναρρόφησης του αέρα καύσης και επιτρέπει τον έλεγχο ενδεχόμενης ανακύκλωσης των προϊόντων της καύσης σε περίπτωση ομοαξονικών αγωγών.

Από την παροχή που είναι συνδεδεμένη με το κύκλωμα καυσαερίων μπορούν να μετρηθούν οι ακόλουθες παράμετροι:

- θερμοκρασία προϊόντων της καύσης
- συγκέντρωση οξυγόνου (O₂) ή, εναλλακτικά, διοξειδίου του άνθρακα (CO₂).
- συγκέντρωση μονοξειδίου του άνθρακα (CO).

Η θερμοκρασία του αέρα καύσης πρέπει να μετράται από την παροχή που είναι συνδεδεμένη στο κύκλωμα αναρρόφησης του αέρα που υπάρχει στο ομοκεντρικό ρακόρ.

Για τα μοντέλα λέβητα φυσικού ελκυσμού είναι αναγκαία η διάνοιξη οπής στον αγωγό απαγωγής καυσαερίων σε απόσταση από το λέβητα 2 φορές μεγαλύτερη από την εσωτερική διάμετρο του αγωγού.

Μέσω της οπής αυτής μπορούν να μετρηθούν οι ακόλουθες παράμετροι:

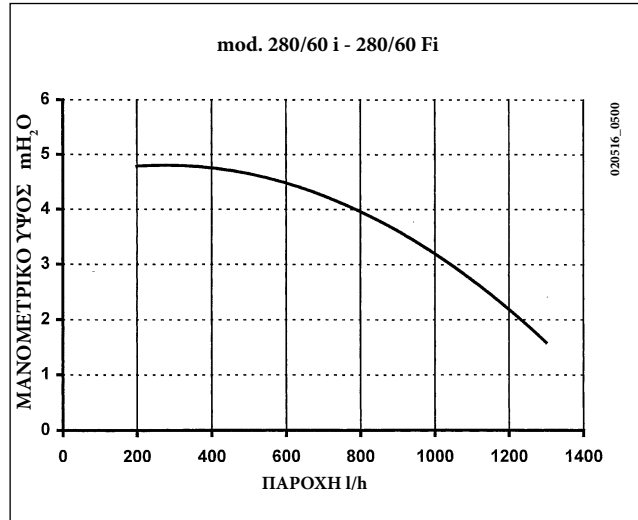
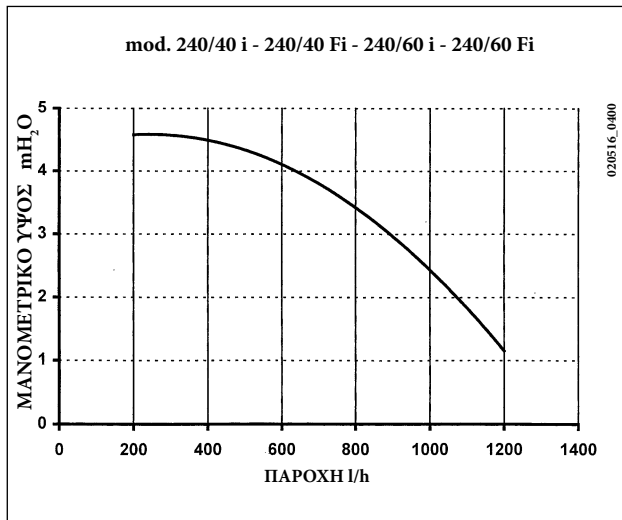
- θερμοκρασία προϊόντων της καύσης
- συγκέντρωση οξυγόνου (O₂) ή, εναλλακτικά, διοξειδίου του άνθρακα (CO₂).
- συγκέντρωση μονοξειδίου του άνθρακα (CO).

Η μέτρηση της θερμοκρασίας του αέρα καύσης πρέπει να γίνεται κοντά στην είσοδο του αέρα στο λέβητα.

Η οπή, η διάνοιξη της οποίας πρέπει να γίνει από τον υπεύθυνο εγκατάστασης κατά την πρώτη θέση σε λειτουργία, πρέπει να είναι κλειστή έτσι ώστε να εξασφαλίζεται η στεγανότητα του αγωγού απαγωγής των προϊόντων της καύσης κατά τη διάρκεια της ομαλής λειτουργίας.

25. ΕΠΙΔΟΣΕΙΣ ΠΑΡΟΧΗΣ ΕΞΟΔΟΥ/ΜΑΝΟΜΕΤΡΙΚΟΥ ΥΨΟΥΣ ΣΤΗΝ ΠΛΑΚΑ

Η χρησιμοποιούμενη αντλία είναι υψηλού μανομετρικού ύψους, κατάλληλη για χρήση σε όλους τους τύπους μονοσωλήνιας ή δισωλήνιας εγκατάστασης θέρμανσης. Η αυτόματη βαλβίδα εξαερισμού είναι ενσωματωμένη στο σώμα της αντλίας και επιτρέπει το γρήγορο εξαερισμό της εγκατάστασης θέρμανσης.



ΣΗΜΕΙΩΣΗ: Για τα οντέλα Boyler Digit 240 είναι διαθέσιμη μια μεγαλύτερη αντλία με τα ίδια χαρακτηριστικά της αντλίας που μοντάρεται στα μοντέλα Boyler Digit 260.

26. ΕΚΚΕΝΩΣΗ ΤΟΥ ΝΕΡΟΥ ΤΟΥ ΜΠΟΪΛΕΡ

Η εκκένωση του νερού του μπόιλερ μπορεί να διενεργηθεί προχωρώντας όπως περιγράφεται στη συνέχεια:

- Κλείστε τη στρόφιγγα εισόδου ζεστού νερού
- Ανοίξτε μια στρόφιγγα χρήστη
- Ξεβιδώστε το δακτύλιο της αντίστοιχης στρόφιγγας εκκένωσης (Εικ. 15)
- Ξεβιδώστε ελαφρά το παξιμάδι που υπάρχει στο σωλήνα εξόδου του ζεστού νερού από το μπόιλερ,

27. ΔΟΧΕΙΟ ΕΚΤΩΝΩΣΗΣ ΖΕΣΤΟΥ ΝΕΡΟΥ ΟΙΚΙΑΚΗΣ ΧΡΗΣΗΣ (ΑΞΕΣΟΥΑΡ ΚΑΤΑ ΠΑΡΑΓΓΕΛΙΑ)

Κιτ δοχείου εκτόνωσης αποτελούμενο από:

- 1 δοχείο εκτόνωσης από ανοξείδωτο χάλυβα
- 1 φορέα για δοχείο εκτόνωσης
- 1 εύκαμπτο σωλήνα σύνδεσης
- 1 σωλήνα Ø 8 σύνδεσης του δοχείου εκτόνωσης ζεστού νερού.

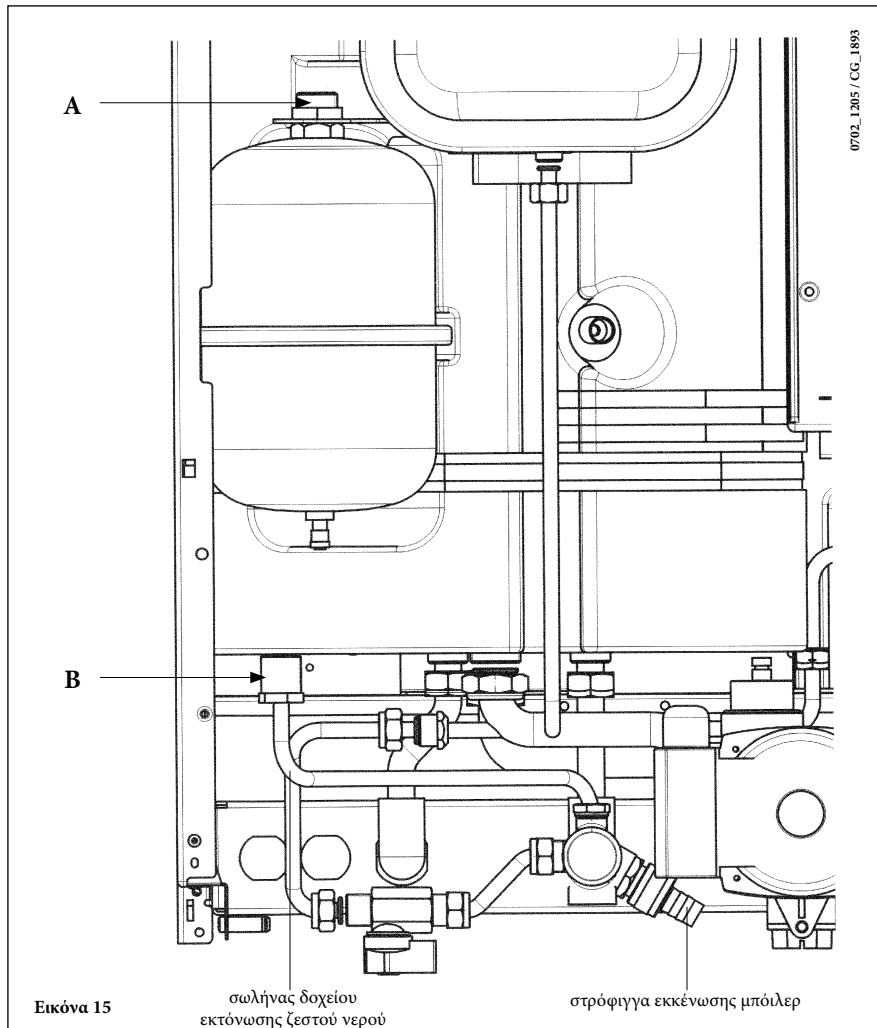
Συνδέστε τον εύκαμπτο σωλήνα (παρλέχεται ως αξεσουάρ στο κιτ δοχείου εκτόνωσης) στα δύο ρακόρ **A** και **B** όπως απεικονίζεται στην εικόνα 15.

Η συναρμολόγηση του δοχείου εκτόνωσης ζεστού νερού προτείνεται στις περιπτώσεις που:

- Η πίεση της ύδρευσης ή του συστήματος παροχής ύδρευσης είναι τέτοιο που να καθιστά αναγκαία την εγκατάσταση ενός μειωτήρα πίεσης (πίεση μεγαλύτερη από 4 bar)
- Στο δίκτυο κρύου νερού είναι εγκατεστημένη μια ανεπίστροφη βαλβίδα
- Η ανάπτυξη του δικτύου κρύου νερού είναι ανεπαρκής για την εκτόνωση του νερού που περιέχεται στο μπόνιερ και απαιτείται η χρήση του δοχείου εκτόνωσης ζεστού νερού οικιακής χρήσης.

Σύσταση

Για αποτελεσματική λειτουργία του δοχείου εκτόνωσης, η πίεση της ύδρευσης πρέπει να είναι μικρότερη των 4 bar. Σε αντίθετη περίπτωση, εγκαταστήστε έναν μειωτήρα πίεσης. Ο μειωτήρας πίεσης πρέπει να ρυθμίζεται έτσι που να έχετε μια πίεση τροφοδοσίας του νερού μικρότερη από 4 bar.



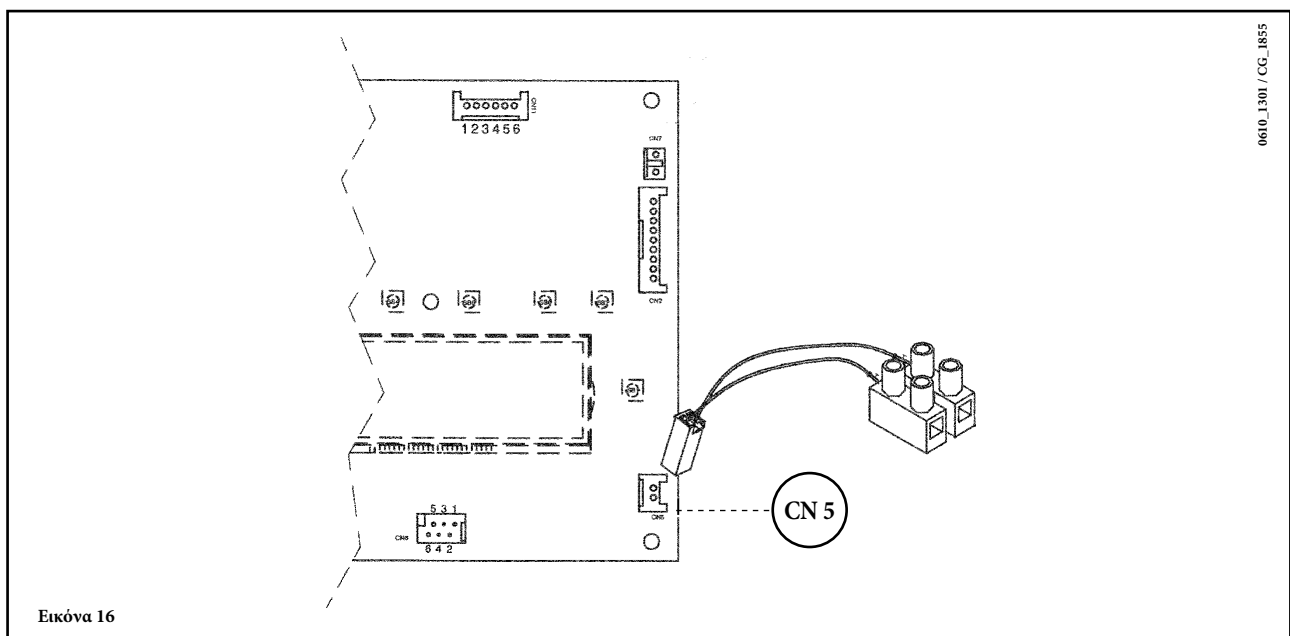
Εικόνα 15

σωλήνας δοχείου εκτόνωσης ζεστού νερού

στροφή για εκκένωση μπόνιερ

Για ειδικές περιοχές εξυπηρέτησης, όπου τα χαρακτηριστικά σκληρότητας του νερού ξεπερνάνε τις τιμές των 25°F (1°F = 10 mg ανθρακικό ασβέστιο ανά λίτρο νερού) συστήνεται η εγκατάσταση ενός δοσομετρητή πολυφωσφορικών ή συστημάτων ίδιας λειτουργίας κατά τους ισχύοντες κανονισμούς.

28. ΣΥΝΔΕΣΗ ΤΟΥ ΕΞΩΤΕΡΙΚΟΥ ΑΙΣΘΗΤΗΡΑ



Εικόνα 16

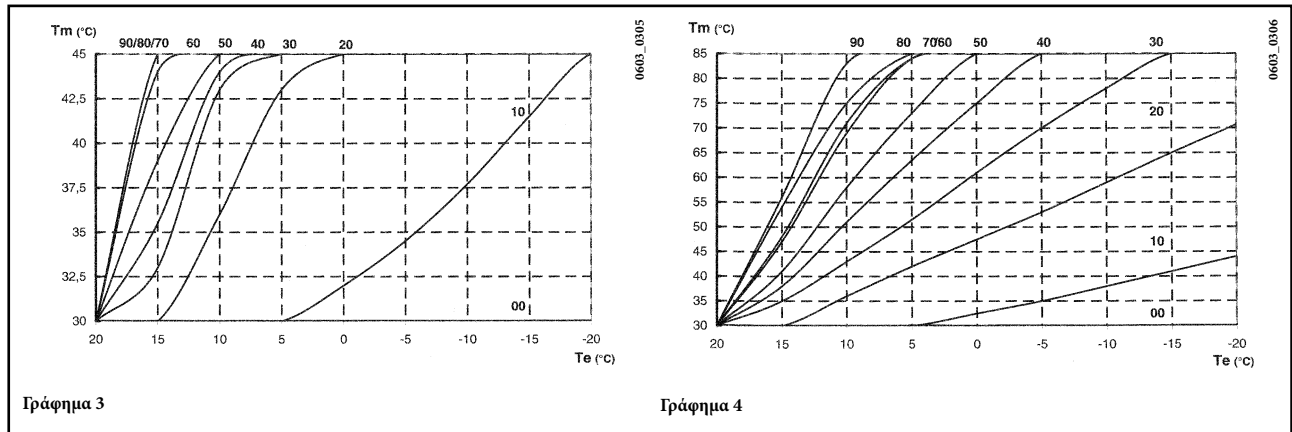
Ο λέβητας είναι έτοιμος για τη σύνδεση ενός εξωτερικού αισθητήρα παρεχόμενου ως αξεσουάρ. Για τη σύνδεση βλέπε την εικόνα 16 καθώς και τις οδηγίες που παρέχονται με τον ίδιο τον αισθητήρα

Με εξωτερικό αισθητήρα συνδεδεμένο τα κουμπιά +/- ρύθμισης της θερμοκρασίας του κυκλώματος θέρμανσης (Εικόνα 1) ασκούν τη λειτουργία ρύθμισης του συντελεστή διασποράς Kt (1...90).

Τα γραφήματα 3 και 4 επισημαίνουν την αντιστοιχία μεταξύ της θεθείσας τιμής και των σχετικών καμπυλών. Μπορεί να έχουν τεθεί και ενδιάμεσες καμπύλες σε εκείνες που παρουσιάζονται.

ΣΗΜΑΝΤΙΚΟ: η τιμή της θερμοκρασίας παροχής **TM** εξαρτάται από τη ρύθμιση της παραμέτρου **F16** (βλέπε παρ. 21). Η μέγιστη θερμοκρασία μπορεί, πράγματι, να είναι 85 ή 45 °C.

Καμπύλες kt



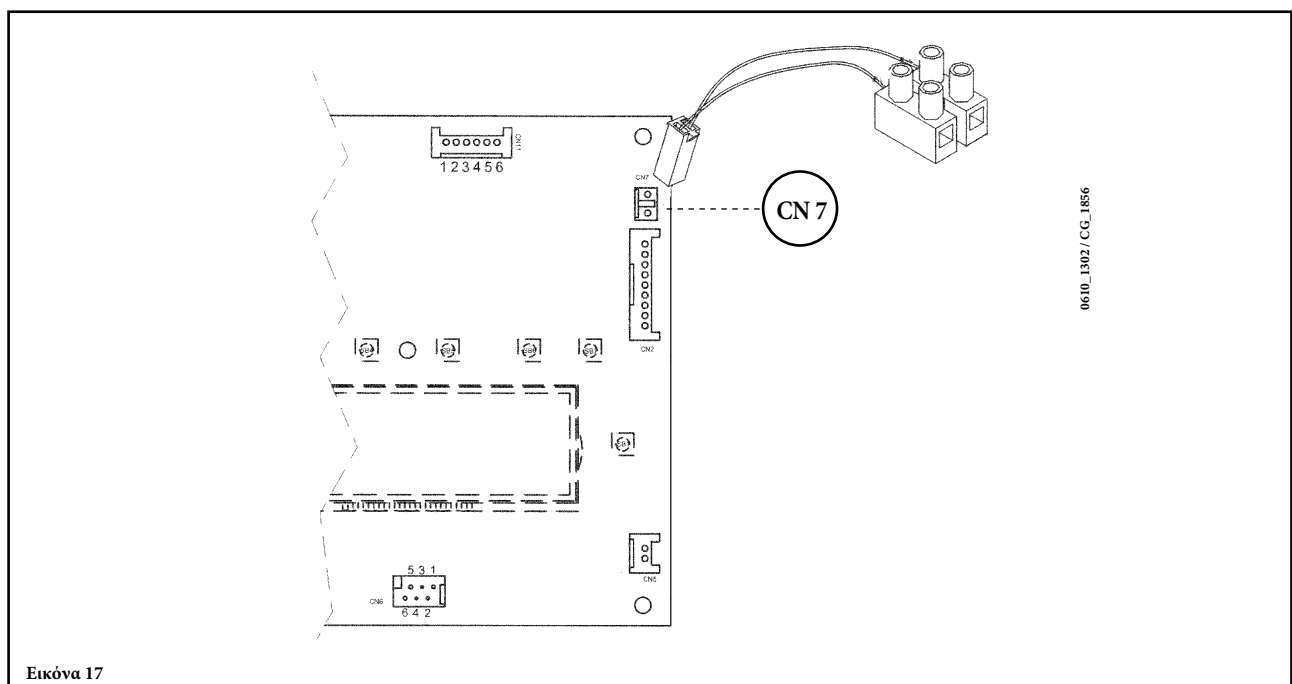
TM = Range θερμοκρασιών παροχής
Te = εξωτερική θερμοκρασία

29. ΗΛΕΚΤΡΙΚΗ ΣΥΝΔΕΣΗ ΤΟΥ ΤΗΛΕΧΕΙΡΙΣΤΗΡΙΟΥ

(ΠΑΡΕΧΕΤΑΙ ΩΣ ΑΞΕΣΟΥΑΡ)

Το τηλεχειριστήριο δεν περιλαμβάνεται στον εξοπλισμό του λέβητα διότι παρέχεται ως αξεσουάρ.

Ανοίξτε το καπάκι της ηλεκτρονικής κάρτας και συνδέστε το καλώδιο (παρέχεται μαζί με τη συστοιχία ακροδεκτών δύο πόλων) στο σύνδεσμο CN7 της ηλεκτρονικής κάρτας. Συνδέστε τα τερματικά του τηλεχειριστηρίου στη συστοιχία ακροδεκτών δύο πόλων (εικόνα 17).

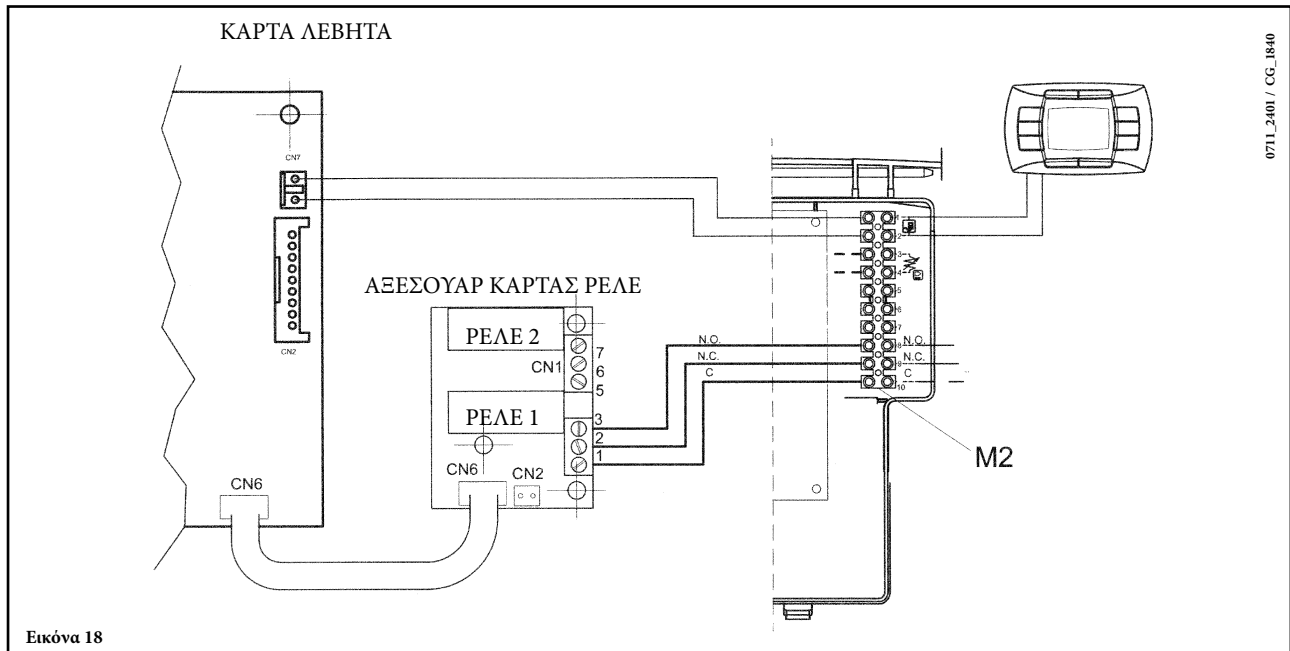


Εικόνα 17

30. ΗΛΕΚΤΡΙΚΗ ΣΥΝΔΕΣΗ ΣΕ ΣΥΣΤΗΜΑ ΜΕ ΖΩΝΕΣ

30.1 - ΣΥΝΔΕΣΗ ΤΗΣ ΚΑΡΤΑΣ ΡΕΛΕ

Η κάρτα ρελέ δεν περιλαμβάνεται στον εξοπλισμό του λέβητα διότι παρέχεται ως αξεσουάρ. Συνδέστε τους ακροδέκτες 1-2-3 του συνδέσμου CN1 της κάρτας ρελέ, στους σχετικούς ακροδέκτες 10-9-8 της συστοιχίας ακροδεκτών M2 (εικόνα 18).

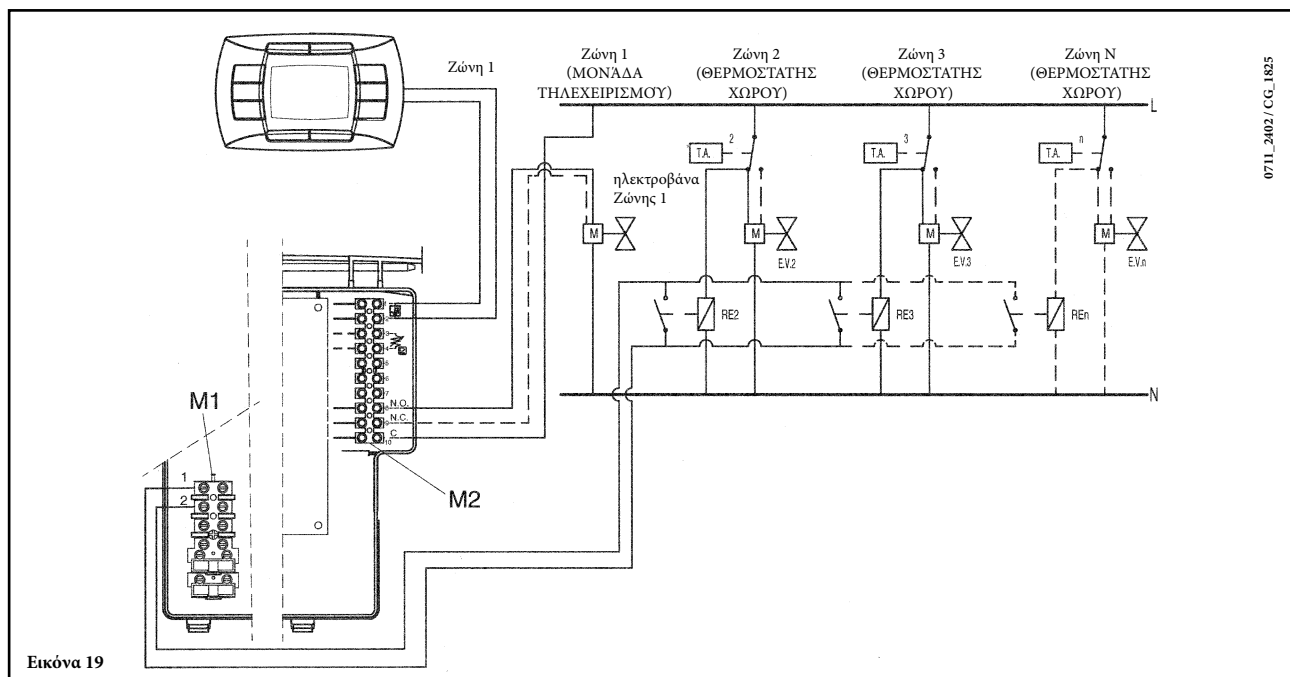


30.2 - ΣΥΝΔΕΣΗ ΤΩΝ ΖΩΝΩΝ

Η επαφή η σχετική με το αίτημα λειτουργίας των ζωνών που δεν ελέγχονται από το τηλεχειριστήριο πρέπει να συνδέεται παράλληλα και στους ακροδέκτες 1-2 «ΤΑ» της συστοιχίας ακροδεκτών M1.

Η υπάρχουσα γέφυρα πρέπει να αφαιρεθεί.

Η ζώνη που ελέγχεται από το τηλεχειριστήριο διευθύνεται από την ηλεκτροβαλβίδα της ζώνης 1, όπως απεικονίζεται στην εικόνα 19.



ΣΗΜΑΝΤΙΚΟ: βεβαιωθείτε για την παράμετρο F04 = 2 (όπως στην εργοστασιακή ρύθμιση – παράγραφος 21).

31. ΕΤΗΣΙΑ ΣΥΝΤΗΡΗΣΗ

Για τη διασφάλιση βέβαιης αποτελεσματικότητας του λέβητα πρέπει να διενεργείτε ετησίως τους ακόλουθους ελέγχους:

- Έλεγχος της όψης και της αντοχής των τσιμουχών του κυκλώματος αερίου και του κυκλώματος καύσης
- Έλεγχος της κατάστασης και της σωστής θέσης των ηλεκτροδίων ανάφλεξης και καταγραφής φλόγας
- Έλεγχος της κατάστασης του καυστήρα και της στερέωσης του στη φλάντζα αλουμινίου
- Έλεγχος για ενδεχόμενες ακαθαρσίες στο εσωτερικό του θαλάμου καύσης. Για το σκοπό αυτό χρησιμοποιήστε μια ηλεκτρική σκούπα για τον καθαρισμό.
- Έλεγχος της σωστής βαθμονόμησης της βαλβίδας αερίου.
- Έλεγχος για ενδεχόμενες ακαθαρσίες στο εσωτερικό του σιφωνίου.
- Έλεγχος της πίεσης του συστήματος θέρμανσης.
- Έλεγχος της πίεσης του δοχείου εκτόνωσης.
- Έλεγχος της σωστής λειτουργίας του ανεμιστήρα.
- Έλεγχος να μην είναι εμφραγμένοι οι αγωγοί απαγωγής και απορρόφησης.
- Έλεγχος της ακεραιότητας της ανόδου μαγνησίου, όπου υπάρχει, για τους λέβητες που διαθέτουν μπόιλερ.

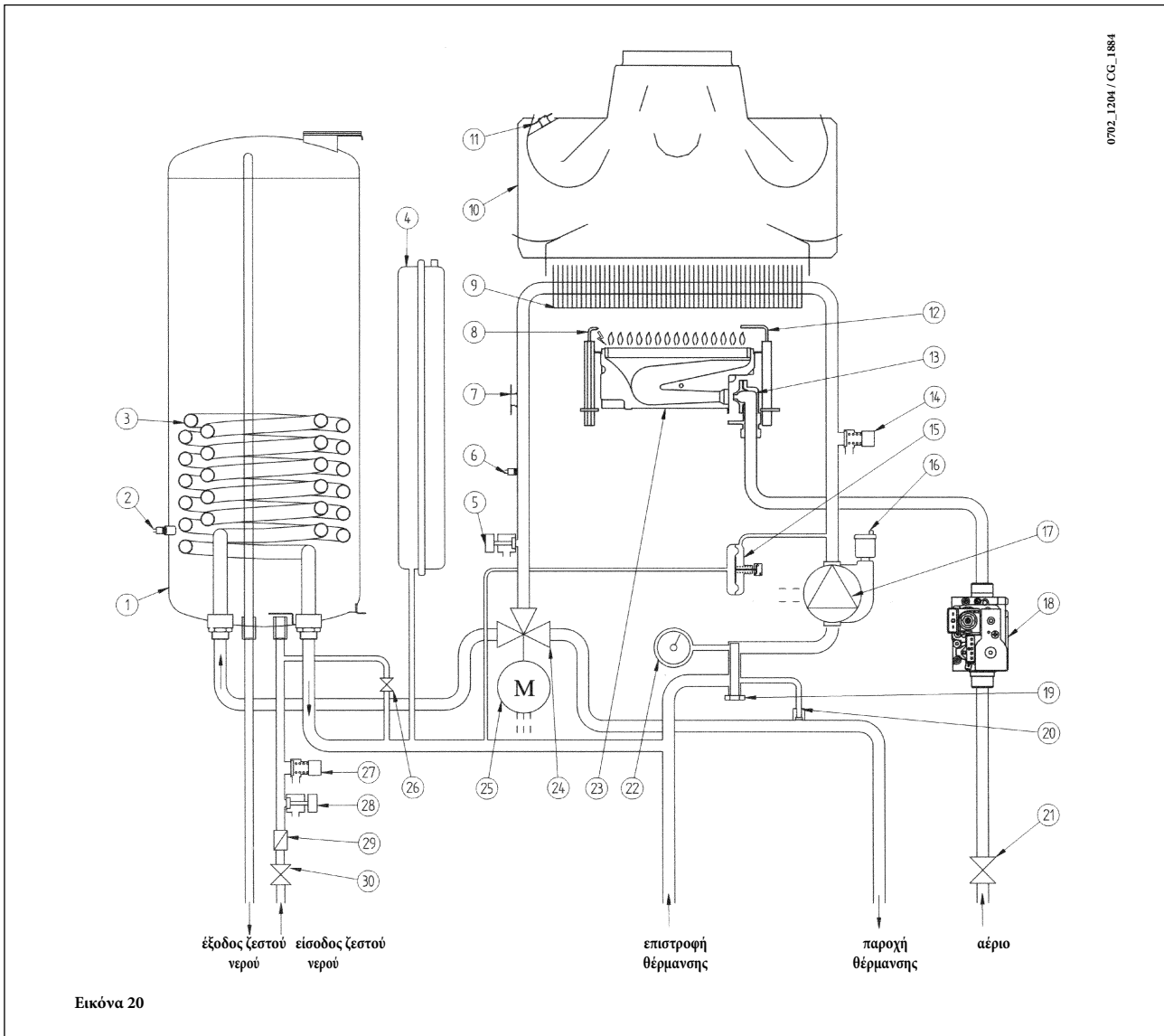
ΠΡΟΕΙΔΟΠΟΙΗΣΕΙΣ

Πριν τη διενέργεια οποιασδήποτε επέμβασης βεβαιωθείτε ότι ο λέβητας δεν τροφοδοτείται ηλεκτρικά.

Με το πέρας των εργασιών συντήρησης, επαναφέρετε τους επιλογείς ή/και τις παραμέτρους λειτουργίας του λέβητα στις αρχικές θέσεις.

32. ΛΕΙΤΟΥΡΓΙΚΟ ΣΧΕΔΙΟ ΚΥΚΛΩΜΑΤΩΝ

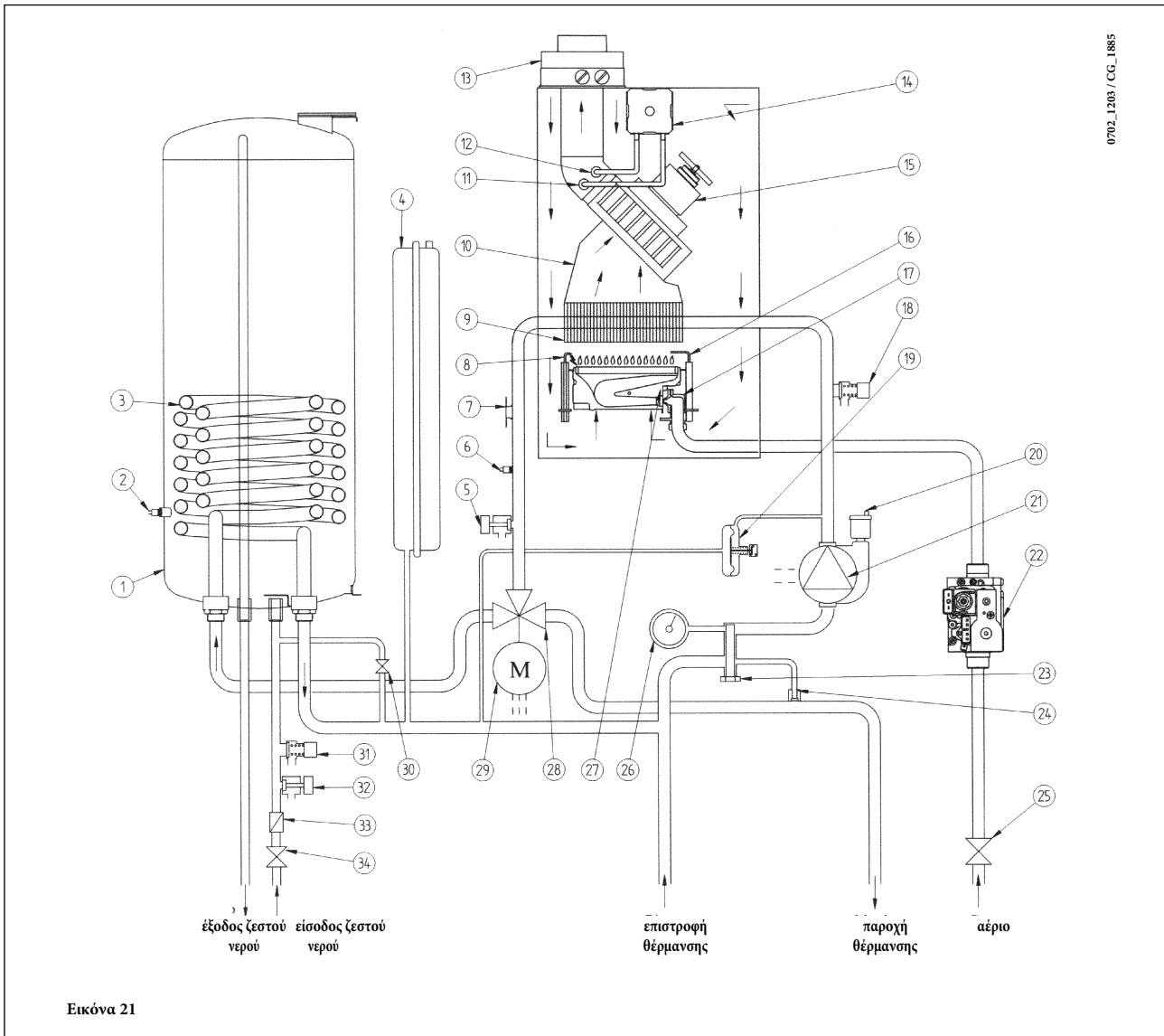
240/40 i - 240/60 i - 280/60 i



Εικόνα 20

Υπόμνημα:

- | | |
|--------------------------------------|---|
| 1 Μπόιλερ | 17 αντλία με διαχωριστή αέρα |
| 2 Αισθητήρας μπόιλερ | 18 βαλβίδα αερίου |
| 3 εναλλάκτης νερού | 19 φίλτρο επιστροφής θέρμανσης |
| 4 δοχείο διαστολής | 20 αυτόματο by-pass |
| 5 στρόφιγγα εκκένωσης λέβητα | 21 στρόφιγγα αερίου |
| 6 ανιχνευτής NTC θέρμανσης | 22 μανόμετρο |
| 7 θερμοστάτης ασφαλείας | 23 καυστήρας |
| 8 ηλεκτρόδιο ανάφλεξης | 24 τριοδη βαλβίδα |
| 9 εναλλάκτης νερού-καυσαερίων | 25 κινητήρας τριοδης βαλβιδας |
| 10 καπνοδόχος | 26 στρόφιγγα εφοδιασμού λέβητα |
| 11 θερμοστάτης καπνών | 27 βαλβίδα ασφαλείας ζεστού νερού 8 bar |
| 12 ηλεκτρόδιο ανίχνευσης φλόγας | 28 στρόφιγγα εκκένωσης μπόιλερ |
| 13 ράμπα αερίου με ακροφύσια | 29 ρυθμιστής ροή |
| 14 βαλβίδα ασφαλείας θέρμανσης 3 bar | 30 στρόφιγγα εισόδου νερού |
| 15 διαφορικός υδραυλικός πρεσοστάτης | |
| 16 αυτόματη βαλβίδα εξαέρωσης | |



Εικόνα 21

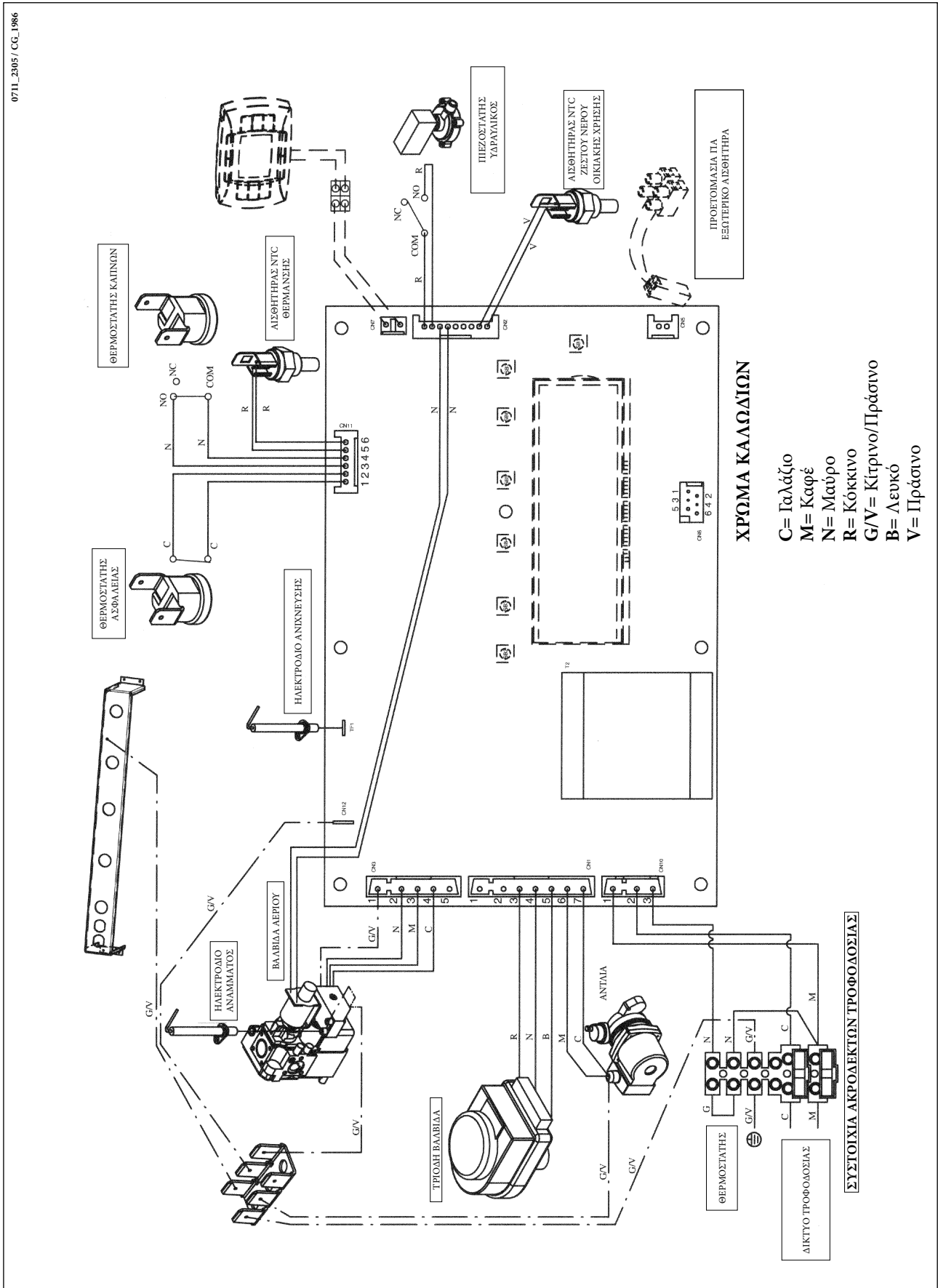
Υπόμνημα:

- | | |
|---|---|
| <ul style="list-style-type: none"> 1, Μπόιλερ 2, Αισθητήρας μπόιλερ 3, εναλλάκτης νερού 4, δοχείο διαστολής 5, στρόφιγγα εκκένωσης λέβητα 6, ανιχνευτής NTC θέρμανσης 7, θερμοστάτης ασφαλείας 8, ηλεκτρόδιο ανάφλεξης 9, εναλλάκτης νερού-καυσαερίων 10, συλλέκτης καπνών 11, υποδοχή αρνητικής πίεσης 12, υποδοχή θετικής πίεσης 13, ομοκεντρικό ρακόρ 14, πιεζιστάτης αέρα 15, ανεμιστήρας 16, ηλεκτρόδιο ανίχνευσης φλόγας 17, ράμπα αερίου με ακροφύσια | <ul style="list-style-type: none"> 18, βαλβίδα ασφαλείας θέρμανσης 3 bar 19, διαφορικός υδραυλικός πρεσοστάτης 20, αυτόματη βαλβίδα εξαέρωσης 21, αντλία με διαχωριστή αέρα 22, βαλβίδα αερίου 23, φίλτρο επιστροφής θέρμανσης 24, αυτόματο by-pass 25, στρόφιγγα αερίου 26, μανόμετρο 27, καυστήρας 28, τριόδη βαλβίδα 29, κινητήρας τριόδης βαλβίδας 30, στρόφιγγα εφοδιασμού λέβητα 31, βαλβίδα ασφαλείας ζεστού νερού 8 bar 32, στρόφιγγα εκκένωσης μπόιλερ 33, ρυθμιστής ροής 34, στρόφιγγα εισόδου νερού |
|---|---|

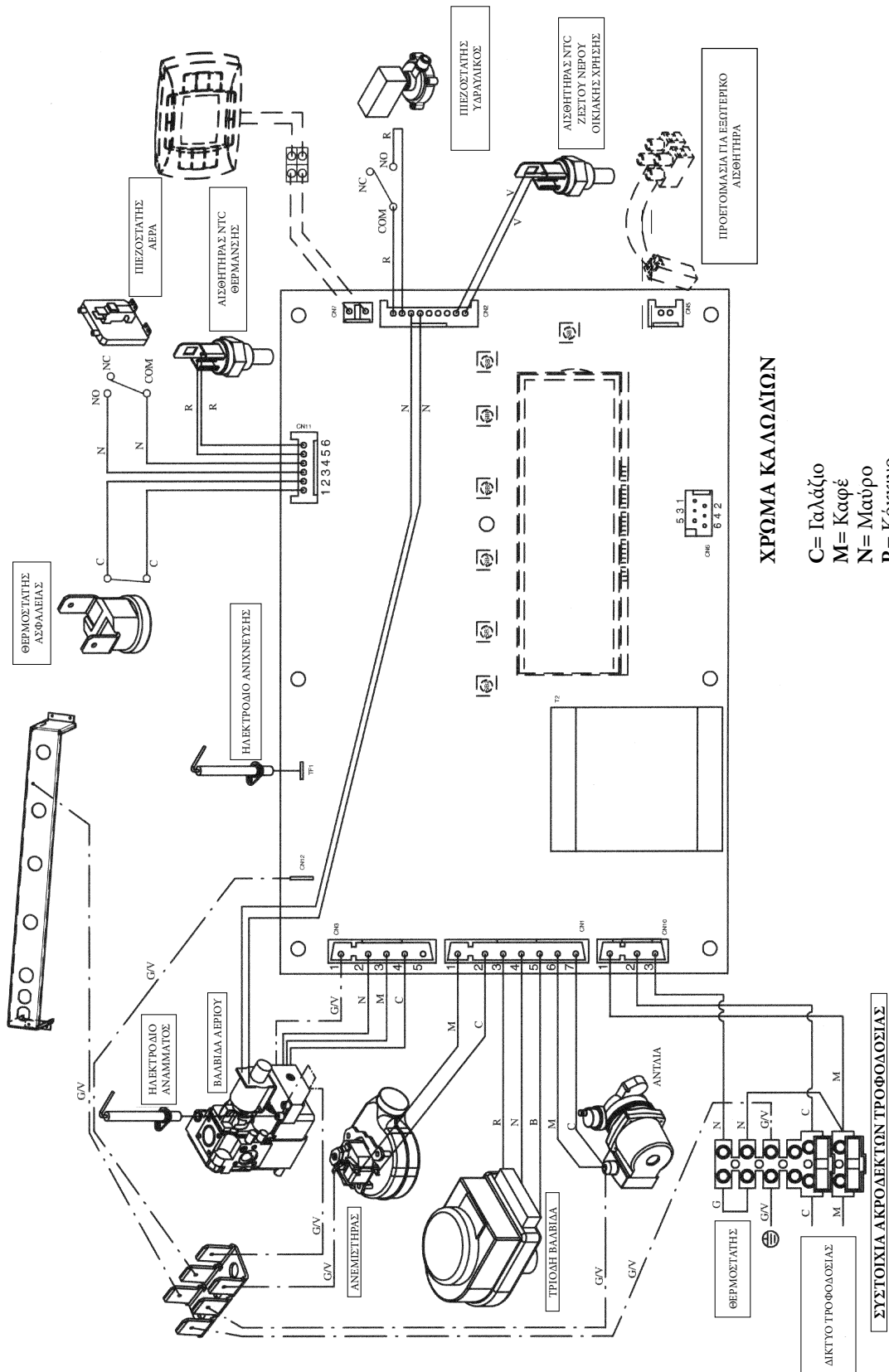
33. ΣΧΕΔΙΟ ΣΥΝΔΕΣΗΣ ΣΥΝΔΕΣΜΩΝ

240/40 i - 240/60 i - 280/60 i

0711_2305 / CG_1986



071L_2306 / CG_1985



ΧΡΩΜΑ ΚΑΛΩΔΙΩΝ

- C= Ταλάζιο
- M= Καφέ
- N= Μαύρο
- R= Κόκκινο
- G/V= Κίτρινο/Πράσινο
- B= Λευκό
- V= Πράσινο

34. ΤΕΧΝΙΚΑ ΧΑΡΑΚΤΗΡΙΣΤΙΚΑ

Λέβητας μοντέλο BOYLER DIGIT		240/40 i	240/60 i	280/60 i	240/40 Fi	240/60 Fi	280/60 Fi
Κατηγορία		Π2H3+	Π2H3+	Π2H3+	Π2H3+	Π2H3+	Π2H3+
Ονομαστική θερμική παροχή	kW	27,1	27,1	31,1	26,3	26,3	30,1
Ονομαστική μειωμένη θερμική παροχή	kW	11,9	11,9	11,9	11,9	11,9	11,9
Ονομαστική θερμική ισχύς	kW	24,4	24,4	28	24,4	24,4	28
	kcal/h	21.000	21.000	24.080	21.000	21.000	24.080
Ονομαστική μειωμένη θερμική ισχύς	kW	10,4	10,4	10,4	10,4	10,4	10,4
	kcal/h	8.900	8.900	8.900	8.900	8.900	8.900
Απόδοση σύμφωνα με την οδηγία 92/42/EOK	-	★★	★★	★★	★★★	★★★	★★★
Μέγιστη πίεση νερού θερμικού κυκλώματος	bar	3	3	3	3	3	3
Χωρητικότητα δοχείου εκτόνωσης	l	7,5	7,5	7,5	7,5	7,5	7,5
Χωρητικότητα συγκέντρωσης μπόιλερ	l	40	60	60	40	60	60
Πίεση του δοχείου εκτόνωσης	bar	0,5	0,5	0,5	0,5	0,5	0,5
Παραγωγή ζεστού νερού στην εκκένωση ΔT=30°C	l/30min	350	390	450	350	390	450
Μέγιστη πίεση νερού κυκλώματος ζεστού νερού	bar	8	8	8	8	8	8
Παραγωγή ζεστού νερού οικιακής χρήσης με ΔT=25 °C	l/min	14	14	16,1	14	14	16,1
Παραγωγή ζεστού νερού οικιακής χρήσης με ΔT=35 °C	l/min	10	10	11,5	10	10	11,5
Ειδική παροχή (*)	l/min	14,5	18,2	19	14,5	18,2	19
Τύπος	-	B _{11BS}	B _{11BS}	C12 - C32 - C42 - C52 - C82 - B22			
Διάμετρος ομόκεντρου αγωγού απαγωγής	mm	-	-	-	60	60	60
Διάμετρος ομόκεντρου αγωγού αναρρόφησης	mm	-	-	-	100	100	100
Διάμετρος διχοτομημένου αγωγού απαγωγής	mm	-	-	-	80	80	80
Διάμετρος διχοτομημένου αγωγού αναρρόφησης	mm	-	-	-	80	80	80
Διάμετρος αγωγού εκκένωσης	mm	140	140	140	-	-	-
Μέγιστη παροχή μάζας καπνών	kg/s	0,022	0,022	0,024	0,022	0,018	0,018
Ελάχιστη παροχή μάζας καπνών	kg/s	0,021	0,021	0,021	0,019	0,017	0,018
Μέγιστη θερμοκρασία καπνών	°C	110	110	115	134	134	142
Ελάχιστη θερμοκρασία καπνών	°C	82	82	82	108	108	108
Κατηγορία NOx	-	3	3	3	3	3	3
Τύπος αερίου	-	G20	G20	G20	G20	G20	G20
	-	G30-G31	G30-G31	G30-G31	G30-G31	G30-G31	G30-G31
Πίεση τροφοδοσίας μεθανίου	mbar	20	20	20	20	20	20
Πίεση τροφοδοσίας βουτανίου	mbar	28-30	28-30	28-30	28-30	28-30	28-30
Πίεση τροφοδοσίας αερίου προπανίου	mbar	37	37	37	37	37	37
Τάση ηλεκτρικής τροφοδοσίας	V	230	230	230	230	230	230
Συχνότητα ηλεκτρικής τροφοδοσίας	Hz	50	50	50	50	50	50
Ονομαστική ηλεκτρική ισχύς	W	110	110	110	190	190	190
Καθαρό βάρος	kg	60	60	60	70	70	70
Διαστάσεις	Ύψος	mm	950	950	950	950	950
	Πλάτος	mm	600	600	600	600	600
	Βάθος	mm	466	466	466	466	466
Βαθμός προστασίας κατά της υγρασίας και της διείσδυσης νερού (**)	-	IP X5D	IP X5D	IP X5D	IP X5D	IP X5D	IP X5D

(*) σύμφωνα με EN 625

(**) σύμφωνα με EN 60529

Η WESTEN, στα πλαίσια της δέσμευσής της για συνεχή βελτίωση των προϊόντων της, διατηρεί το δικαίωμα να τροποποιήσει τις προδιαγραφές που περιέχονται στο παρόν οποιαδήποτε στιγμή και χωρίς προηγούμενη ειδοποίηση. Η παρούσα τεκμηρίωση είναι για πληροφοριακή υποστήριξη και δεν θεωρείται ως συμβόλαιο με τρίτο πρόσωπο.

Estimado Cliente,
 nuestra Empresa opina que su nueva caldera satisfará todas sus exigencias.
 La compra de un producto BAXI garantiza lo que Ud. se espera: un buen funcionamiento y un uso simple y racional. Le pedimos que no ponga aparte estas instrucciones sin leerlas: contienen informaciones útiles para una gestión correcta y eficaz de su caldera.

No se deben dejar las partes del embalaje (bolsas de plástico, poliestireno, etc.) al alcance de niños, en cuanto que son potenciales fuentes de peligro.

BAXI S.p.A. declara que estos modelos de calderas están dotados de marcado CE conforme a los requisitos esenciales de las siguientes Directivas:

- Directiva gas 90/396/CEE
- Directiva Rendimientos 92/42/CEE
- Directiva Compatibilidad Electromagnética 2004/108/CEE
- Directiva baja tensión 2006/95/CE



ÍNDICE

INSTRUCCIONES PARA EL USUARIO

1. Advertencias antes de la instalación	153
2. Advertencias antes de la puesta en marcha	153
3. Puesta en marcha de la caldera	154
4. Ajuste de la temperatura del agua de calefacción y caliente sanitaria	155
5. Llenado de la instalación	156
6. Apagado de la caldera	156
7. Larga parada de la instalación. Protección contra el hielo	156
8. Cambio de gas	156
9. Señales-activación de los dispositivos de seguridad	157
10. Instrucciones para el mantenimiento ordinario	157

INSTRUCCIONES PARA EL INSTALADOR

11. Advertencias generales	158
12. Advertencias antes de la instalación	158
13. Plantilla para fijar la caldera en la pared	159
14. Dimensiones de la caldera	159
15. Equipo suministrado como accesorio	160
16. Instalación de los conductos de descarga-aspiración (modelos a flujo forzado)	160
17. Conexión eléctrica	164
18. Conexión del termostato ambiente	164
19. Modalidades de cambio gas	165
20. Visualización de la información	166
21. Configuración de los parámetros	168
22. Dispositivos de regulación y seguridad	169
23. Posicionamiento del electrodo de encendido y detección de llama	170
24. Control de los parámetros de combustión	170
25. Características del caudal / altura manométrica de placa	171
26. Vaciado del agua contenida en el calentador	171
27. Depósito de expansión sanitario (accesorio bajo pedido)	171
28. Conexión de la sonda exterior	172
29. Conexión eléctrica del telecontrol	173
30. Conexión eléctrica a una instalación de zonas	174
31. Mantenimiento anual	175
32. Diagrama funcional de circuitos	176-177
33. Diagrama de conexión conectores	178-179
34. Características técnicas	180

1. ADVERTENCIAS ANTES DE LA INSTALACIÓN

Esta caldera sirve para calentar el agua a una temperatura inferior a la de ebullición, a presión atmosférica. Debe conectarse a una instalación de calefacción y a una red de distribución de agua caliente sanitaria, dentro de los límites de sus prestaciones y de su potencia. Antes de que la caldera sea conectada por un técnico calificado es preciso:

- a) Controlar que la caldera esté preparada para funcionar con el tipo de gas disponible. El tipo de gas se indica en el embalaje y en la placa de datos del aparato.
- b) Controlar que la chimenea tenga buen tiro, que no tenga estrangulamientos y no desemboquen en ella las salidas de otros aparatos, salvo que haya sido realizada para este fin conforme a las normas específicas y la reglamentación vigente.
- c) Si la caldera se conecta a una chimenea preexistente, controlar que ésta se haya limpiado perfectamente, ya que el desprendimiento de los depósitos durante el funcionamiento puede obstruir la salida de humos.
- d) Para mantener el funcionamiento correcto y la garantía del aparato, también es imprescindible respetar las siguientes indicaciones:

1. Circuito sanitario:

1.1. Si la dureza del agua es superior a 20 °F (1 °F = 10 mg de carbonato de calcio por litro de agua) es preciso instalar un dosificador de polifosfatos o un sistema similar, conforme a las normas vigentes.

1.2. Una vez montado el aparato, antes de utilizarlo es necesario hacer una limpieza a fondo de la instalación.

2. Circuito de calefacción

2.1. instalación nueva

Antes de montar la caldera, hay que limpiar la instalación para eliminar los residuos de roscados, soldaduras y disolventes, utilizando un producto comercial que no sea ni ácido ni alcalino, y que tampoco ataque los metales, el plástico y la goma. Los productos aconsejados para la limpieza son:

SENTINEL X300 o X400 y FERNOX Regenerador para instalaciones de calefacción. Para el uso de estos productos seguir atentamente las instrucciones facilitadas por el fabricante.

2.2. instalación existente

Antes de instalar la caldera, vaciar totalmente la instalación y limpiarla de lodos y contaminantes con los productos comerciales citados en el punto 2.1.

Para evitar que se formen incrustaciones en la instalación, utilizar inhibidores como SENTINEL X100 y FERNOX

Protectivo para instalaciones de calefacción. Para el uso de estos productos, seguir atentamente las instrucciones facilitadas por el fabricante.

Se recuerda que los depósitos en la instalación de calefacción perjudican el funcionamiento de la caldera (por ejemplo sobrecalentamiento y ruido del intercambiador).

La inobservancia de estas indicaciones invalida la garantía del aparato.

2. ADVERTENCIAS ANTES DE LA PUESTA EN MARCHA

El primer encendido debe ser efectuado por el Servicio de Asistencia Técnica autorizado, que tendrá que controlar:

- a) Que los datos de placa sean conformes a los de las redes de alimentación (eléctrica, hidráulica y gas).
- b) Que la instalación sea conforme a las normativas vigentes de las que se expone una parte en el manual técnico para el instalador.
- c) Que se haya efectuado correctamente la conexión eléctrica a la red más tierra.


Los nombres de los Centros de Asistencia Técnica autorizados se indican en la hoja adjunta.

La falta de conformidad con lo arriba mencionado comporta la caducidad de la garantía.

Antes de la puesta en marcha, quitar la película de protección de la caldera. No utilizar a tal fin herramientas o materiales abrasivos porque podrían dañar las partes pintadas.

3. PUESTA EN MARCHA DE LA CALDERA

Para encender la caldera correctamente, seguir las instrucciones siguientes:


- Alimentar la caldera eléctricamente.
- Abrir el grifo del gas.
- Pulsar la tecla  (unos 2 segundos) para seleccionar el modo de funcionamiento de la caldera como se indica en el apartado 3.2.

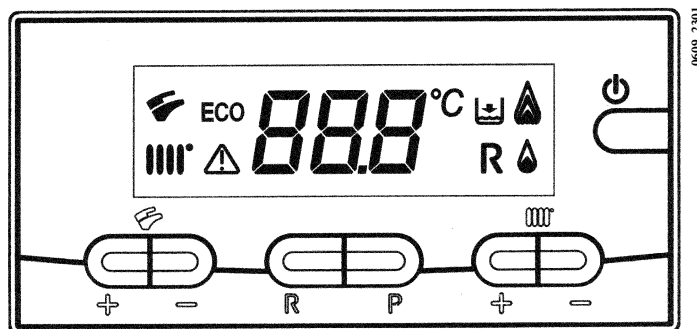
NOTA: seleccionando el modo de funcionamiento VERANO , la caldera se encenderá sólo en caso de consumo de agua caliente sanitaria.

- Para seleccionar la temperatura deseada, tanto para la calefacción como para el agua caliente sanitaria, pulsar las teclas correspondientes +/- como se indica en el apartado 4.










ADVERTENCIA

Durante la primera puesta en marcha, es posible que el quemador no se encienda y se bloquee la caldera hasta que salga todo el aire de la tubería del gas.

En este caso, se recomienda repetir las operaciones de encendido, hasta que el gas llegue al quemador pulsando, durante al menos 2 segundos, la tecla de RESET .



LEYENDA DE LOS SÍMBOLOS DE LA PANTALLA:

	Funcionamiento en modalidad calefacción
	Funcionamiento en modalidad agua caliente sanitaria
	Presencia de llama - figura 2 (nivel de potencia 0 - 25%)
	Nivel de modulación de llama - figura 2 (3 niveles de potencia)
	Anomalía genérica
	REARME
	Falta de agua (Presión de instalación baja)
	Indicación numérica (Temperatura, códigos anomalía, etc.)
	Funcionamiento en modalidad ECO

LEYENDA DE LAS TECLAS:






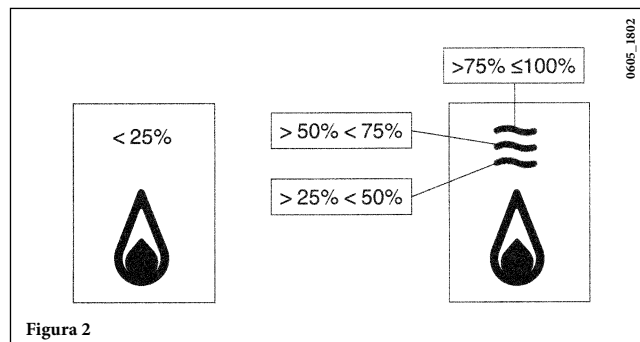
	+ -	ajuste de la temperatura del agua caliente sanitaria (°C)
	+ -	ajuste de la temperatura del agua de calefacción (°C)
		RESET (rearme de la caldera)
		ECO - CONFORT
		tecla de MODALIDAD (véase el apartado 3.2)

Figura 1

En caso de conexión del telecontrol, suministrado como accesorio, todas las regulaciones de la caldera se deben efectuar desde el telecontrol. Véanse las instrucciones que acompañan el accesorio.

3.1 SIGNIFICADO DEL SÍMBOLO


Durante el funcionamiento de la caldera se pueden visualizar 4 niveles de potencia diferentes, en relación con el grado de modulación de la caldera, como se muestra en la figura 2.






3.2 MODOS DE FUNCIONAMIENTO




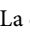
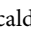
Están disponibles 4 modos de funcionamiento de la caldera:


- APAGADO (OFF)
- VERANO 
- INVIERNO   
- SÓLO CALEFACCIÓN 

Para programar un modo de funcionamiento pulsar la tecla  durante unos 2 segundos.



Seleccionando APAGADO la pantalla no visualiza ninguno de los dos símbolos  . En esta modalidad está habilitada solamente la función antihielo ambiente y no se satisfará ninguna otra demanda de calor para el agua caliente sanitaria o la calefacción.


En VERANO la pantalla visualiza el símbolo . La caldera satisface sólo las demandas de calor para el agua caliente sanitaria; la calefacción NO está habilitada (función antihielo ambiente activa).

En INVIERNO la pantalla visualiza los símbolos     . La caldera satisface tanto las demandas de calor para el agua caliente sanitaria como las para la calefacción (función antihielo ambiente activa).

En SÓLO CALEFACCIÓN la pantalla visualiza el símbolo . Ο λέβητας ικανοποιεί τα αιτήματα θερμότητας για θέρμανση (αντιπαγωγτική λειτουργία περιβάλλοντος ενεργή).


4. AJUSTE DE LA TEMPERATURA DEL AGUA DE CALEFACCIÓN Y CALIENTE SANITARIA

El ajuste de la temperatura de impulsión para la calefacción  y del agua caliente sanitaria  se realiza pulsando las teclas correspondientes +/- (figura 1).


El encendido del quemador se visualiza en la pantalla del panel de mandos con el símbolo .

CALEFACCIÓN

La instalación debe estar dotada de un termostato de ambiente para controlar la temperatura en los locales.

Durante el funcionamiento de la caldera para calefacción, en la pantalla de la figura 1 se visualizan el símbolo , parpadeante y la temperatura (°C) de impulsión de la calefacción.


AGUA CALIENTE SANITARIA

Durante el funcionamiento de la caldera para obtener agua caliente sanitaria, en la pantalla de la figura 1 se visualizan el símbolo , parpadeante y la temperatura (°C) del agua de impulsión hervidor.


Se pueden seleccionar dos valores distintos de temperatura del agua caliente sanitaria ECO y CONFORT, pulsando la tecla P.

Para modificar las temperaturas, actuar como se indica a continuación:

ECO

Pulsando la tecla P, la pantalla visualiza la indicación “eco”; seleccionar el valor de setpoint de temperatura deseado pulsando las teclas +/- .


CONFORT

Pulsando la tecla P, la pantalla visualiza sólo el valor de temperatura a seleccionar; ajustar el valor de setpoint de temperatura deseado con las teclas +/- .

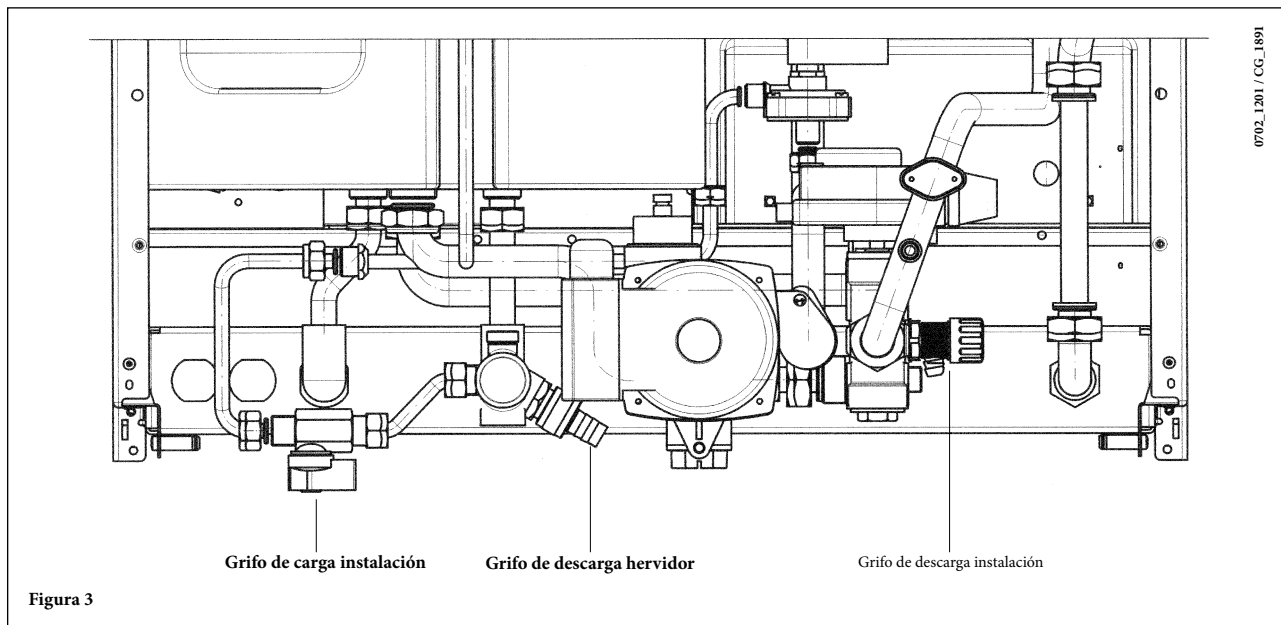
5. LLENADO DE LA INSTALACIÓN

IMPORTANTE: controlar periódicamente que la presión, leída en el manómetro (14 - figuras 17 y 18), con la instalación fría, sea 0,5 - 1 bar. En caso de sobrepresión actuar sobre el grifo de descarga caldera. Si es inferior, actuar sobre el grifo de carga de la caldera (figura 3).

Se aconseja abrir dicho grifo de manera muy lenta para facilitar la purga del aire.

Durante esta operación es necesario que la caldera esté en "OFF" (pulsar la tecla  - figura 1).

De producirse disminuciones frecuentes de la presión, dirigirse al Servicio de Asistencia Técnica autorizado.



La caldera está dotada de un presóstato diferencial hidráulico que no permite el funcionamiento de la caldera en caso de bomba bloqueada o falta de agua.

6. APAGADO DE LA CALDERA

Para apagar la caldera hay que desconectar la alimentación eléctrica del aparato. Si la caldera está en "OFF" (apartado 3.2), los circuitos eléctricos siguen en tensión y está activada la función antihielo (apartado 7).

7. LARGA PARADA DE LA INSTALACIÓN. PROTECCIÓN CONTRA EL HIELO

Es buena costumbre evitar el vaciado de toda la instalación de calefacción porque los cambios de agua producen también inútiles y dañinos depósitos calcáreos dentro de la caldera y de los cuerpos calentadores. Si durante el invierno no se utiliza la instalación térmica, y en caso de peligro de hielo, se aconseja mezclar el agua de la instalación con adecuadas soluciones anticongelantes destinadas a este uso específico (ej. glicol propilénico junto a inhibidores de incrustaciones y corrosiones).

La gestión electrónica de la caldera está provista de una función "antihielo" en calefacción que con una temperatura de impulsión de la instalación inferior a 5 °C hace funcionar el quemador hasta alcanzar el valor de 30 °C en impulsión.

Esta función es operativa si:

- * la caldera está alimentada eléctricamente;
- * hay gas;
- * la presión de la instalación es la establecida;
- * la caldera no está bloqueada.

8. CAMBIO DE GAS

Las calderas pueden funcionar ya sea con gas metano como con gas GPL.

Dirigirse al Servicio de Asistencia Técnica autorizado, en caso de que sea necesaria la transformación.

9. SEÑALES-ACTIVACIÓN DE LOS DISPOSITIVOS DE SEGURIDAD

Las anomalías se indican en la pantalla mediante un código de error (ej. E01).

Las anomalías que el usuario puede resolver se indican en la pantalla con el símbolo **R** (figura 4).

Las anomalías que el usuario no puede resolver se indican en la pantalla con el símbolo **Δ** (figura 4.1).

Para REARMAR la caldera pulsar, durante al menos 2 segundos, la tecla **R**.



Figura 4



Figura 4.1

CÓDIGO VISUALIZADO	TIPO DE ANOMALÍA	INTERVENCIÓN
E01	Bloqueo por falta de encendido	Pulsar la tecla R . Si esta anomalía se repite, llamar el centro de asistencia técnica autorizado.
E02	Bloqueo por activación del termostato de seguridad	Pulsar la tecla R . Si esta anomalía se repite, llamar el centro de asistencia técnica autorizado.
E03	Activación del termostato humos / presostato humos	Llamar el centro de asistencia técnica autorizado.
E04	Error de seguridad por pérdidas de llama frecuentes	Llamar el centro de asistencia técnica autorizado.
E05	Fallo de la sonda de impulsión	Llamar el centro de asistencia técnica autorizado.
E06	Fallo de la sonda del agua caliente sanitaria	Llamar el centro de asistencia técnica autorizado.
E11	Activación del termostato de seguridad por instalación a baja temperatura (si está conectada)	Llamar el centro de asistencia técnica autorizado.
E12	Falta de asenso del presostato diferencial hidráulico	Controlar que la presión de la instalación tenga el valor indicado. Véase el apartado 5. Si la anomalía persiste, llamar el centro de asistencia técnica autorizado.
E13	Contacto presostato diferencial hidráulico defectuoso	Controlar que la presión de la instalación tenga el valor indicado. Véase el apartado 5. Si la anomalía persiste, llamar el centro de asistencia técnica autorizado.
E25	Activación de seguridad por falta de circulación del agua	Llamar el centro de asistencia técnica autorizado.
E31	Error de comunicación entre la tarjeta electrónica y el telecontrol	Pulsar la tecla R . Si esta anomalía se repite, llamar el centro de asistencia técnica autorizado.
E35	Llama parásita (error llama)	Pulsar la tecla R . Si esta anomalía se repite, llamar el centro de asistencia técnica autorizado.
E98	Error interior de la tarjeta	Llamar el centro de asistencia técnica autorizado.
E99	Error interior de la tarjeta	Llamar el centro de asistencia técnica autorizado.

10. INSTRUCCIONES PARA EL MANTENIMIENTO ORDINARIO

Para garantizar una perfecta eficacia funcional y de seguridad de la caldera es necesario, al término de cada estación, hacer inspeccionar la caldera por el Servicio de Asistencia Técnica autorizado.

Un mantenimiento esmerado asegura siempre un ahorro en la gestión de la instalación.

La limpieza exterior del aparato no se debe efectuar con sustancias abrasivas, agresivas y/o fácilmente inflamables (ej. gasolina, alcoholes, etc.) y, de todo modo, se debe efectuar cuando el aparato no está en funcionamiento (véase el capítulo 6 “apagado de la caldera”).

11. ADVERTENCIAS GENERALES

Las notas y las instrucciones técnicas indicadas a continuación se dirigen a los instaladores de modo que puedan efectuar una instalación perfecta. Las instrucciones concernientes al encendido y la utilización de la caldera están contenidas en la parte destinada al usuario. Cabe tener presente que la instalación, el mantenimiento y la gestión de las instalaciones de gas para el uso doméstico deben ser realizados exclusivamente por personal calificado con arreglo a las normas vigentes.

Además de lo arriba mencionado se debe tener presente que:

- La caldera puede ser utilizada con cualquier tipo de placa convectiva, radiador y termoconvector, alimentados por dos tubos o monotubo. En cualquier caso, las secciones del circuito se calcularán con los métodos habituales, teniendo en cuenta el caudal-altura manométrica característica disponible en la placa e indicada en el apartado 25.
 - No se deben dejar las partes del embalaje (bolsas de plástico, poliestireno, etc.) al alcance de niños, en cuanto potenciales fuentes de peligro.
 - El primer encendido lo debe efectuar el Servicio de Asistencia Técnica autorizado, indicado en la hoja adjunta.
- La falta de conformidad con lo arriba mencionado comporta la caducidad de la garantía.

12. ADVERTENCIAS ANTES DE LA INSTALACIÓN

Esta caldera sirve para calentar agua a una temperatura inferior a la de ebullición, a presión atmosférica. Debe conectarse a una instalación de calefacción y a una red de distribución de agua caliente sanitaria, dentro de los límites de sus prestaciones y de su potencia.

Antes de hacer conectar la caldera por personal profesionalmente calificado, es preciso:

- a) Controlar que la caldera esté preparada para funcionar con el tipo de gas disponible. El tipo de gas se indica en el embalaje y en la placa de datos del aparato.
- b) Controlar que la chimenea tenga buen tiro, no tenga estrangulamientos y no desemboquen en ella las salidas de otros aparatos, salvo que haya sido realizada para este fin conforme a las normas específicas y la reglamentación vigente.
- c) Si la caldera se conecta a una chimenea preexistente, controlar que ésta se haya limpiado perfectamente, ya que el desprendimiento de los depósitos durante el funcionamiento puede obstruir la salida de humos.

Para mantener el funcionamiento correcto y la garantía del aparato, también es imprescindible respetar las siguientes indicaciones:

1. Circuito sanitario:

1.1. Si la dureza del agua es superior a 20 °F (1 °F = 10 mg de carbonato de calcio por litro de agua) es preciso instalar un dosificador de polifosfatos o un sistema similar, conforme a las normas vigentes.

1.2. Una vez montado el aparato, antes de utilizarlo es necesario hacer una limpieza a fondo de la instalación.

2. Circuito de calefacción

2.1. instalación nueva

Antes de montar la caldera, hay que limpiar la instalación para eliminar los residuos de roscados, soldaduras y disolventes, utilizando un producto comercial que no sea ni ácido ni alcalino, y que tampoco ataque los metales, el plástico y la goma. Los productos aconsejados para la limpieza son:

SENTINEL X300 o X400 y FERNOX Regenerador para instalaciones de calefacción. Para el uso de estos productos seguir atentamente las instrucciones facilitadas por el fabricante.

2.2. instalación existente

Antes de instalar la caldera, vaciar totalmente la instalación y limpiarla de lodos y contaminantes con los productos comerciales citados en el punto 2.1.

Para evitar que se formen incrustaciones en la instalación, utilizar inhibidores como SENTINEL X100 y FERNOX Protectivo para instalaciones de calefacción. Para el uso de estos productos, seguir atentamente las instrucciones facilitadas por el fabricante.

Se recuerda que los depósitos en la instalación de calefacción perjudican el funcionamiento de la caldera (por ejemplo sobrecalentamiento y ruido del intercambiador).

La inobservancia de estas indicaciones invalida la garantía del aparato.

13. PLANTILLA PARA FIJAR LA CALDERA EN LA PARED

Una vez determinada la exacta ubicación de la caldera fijar la plantilla a la pared.

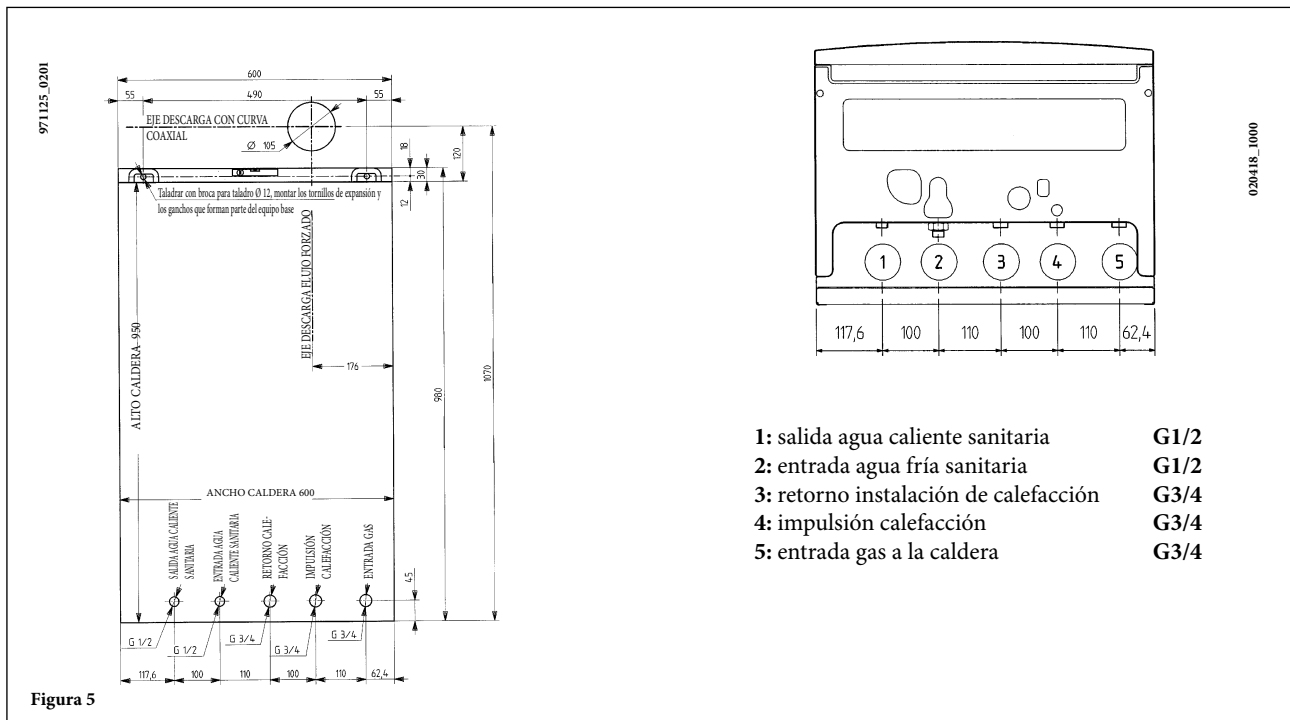
Efectuar la puesta en obra de la instalación empezando por la posición de las uniones hídricas y de gas presentes en el travesaño inferior de la plantilla.

Se aconseja instalar, en el circuito de calefacción, dos grifos de paso (impulsión y retorno) G3/4, disponibles bajo pedido, que, en caso de intervenciones importantes, permiten maniobrar sin la necesidad de vaciar toda la instalación de calefacción.

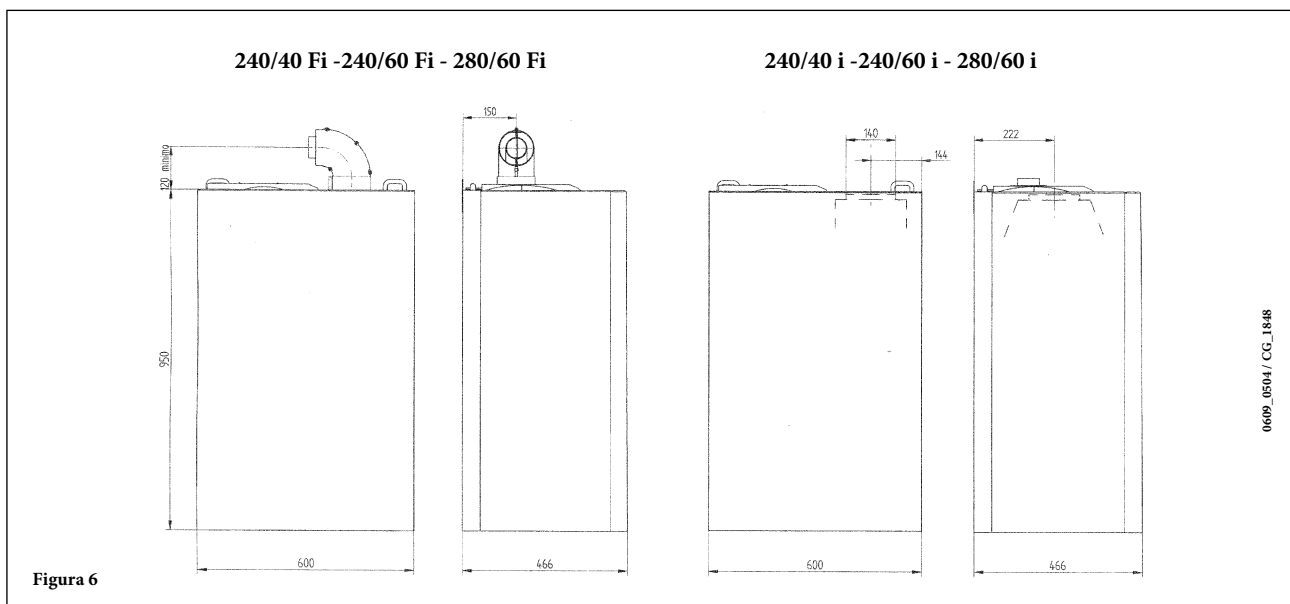
En caso de instalaciones ya existentes y de sustituciones se aconseja, además de lo arriba mencionado, incluir en el retorno a la caldera y abajo un depósito de decantación destinado a contener las incrustaciones o las escorias presentes también después del lavado y que, con el paso del tiempo, pueden entrar en circulación.

Una vez fijada la caldera a la pared, efectuar la conexión a los conductos de descarga y aspiración, suministrados como accesorios, según se describe en los capítulos siguientes.

En caso de instalación de las calderas de tiro natural, efectuar la conexión a la chimenea por medio de un tubo metálico resistente en el tiempo a los normales esfuerzos mecánicos, al calor y a la acción de los productos de combustión y de sus eventuales condensados.



14. DIMENSIONES DE LA CALDERA



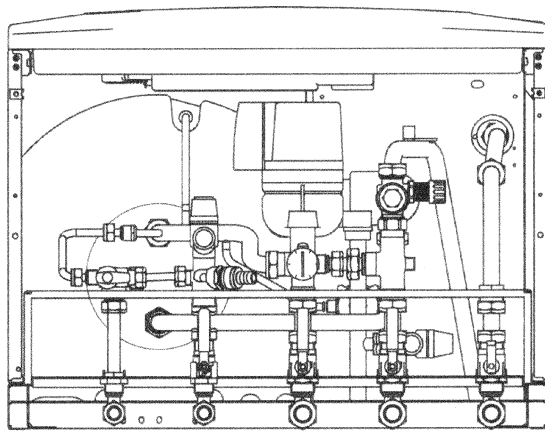
15. EQUIPO SUMINISTRADO COMO ACCESORIO

- grifo gas (1)
- grifo entrada agua (2)
- juntas
- juntas telescópicas
- tornillos de expansión de 12 mm y ganchos

BOYLER DIGIT 240/40 i -240/40 Fi

BOYLER DIGIT 240/60 i -240/60 Fi - 280/60 i - 280/60 Fi

0804_1101/CC_2061



0702_1202/CC_1892

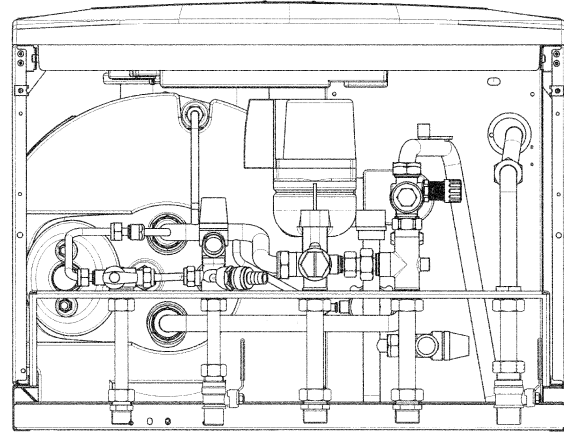


Figura 7

16. INSTALACIÓN DE LOS CONDUCTOS DE DESCARGA - ASPIRACIÓN

La instalación de la caldera se puede efectuar con facilidad y flexibilidad gracias a los accesorios suministrados y descritos a continuación.

Originalmente, la caldera está realizada para la conexión a un conducto de descarga - aspiración de tipo coaxial, vertical u horizontal. Por medio del accesorio desdoblador se pueden utilizar los conductos también separadamente.

¡Para la instalación se deben utilizar exclusivamente los accesorios suministrados por el fabricante del aparato!

CONDUCTO DE DESCARGA - ASPIRACIÓN COAXIAL (CONCÉNTRICO)

Este tipo de conducto permite la descarga de los productos de la combustión y la aspiración del aire comburente ya sea fuera del edificio, como en conductos de humo de tipo LAS.

La curva coaxial de 90° permite conectar la caldera a los conductos de descarga-aspiración en cualquier dirección, gracias a la posibilidad de rotación de 360°. Se puede utilizar también como curva suplementaria acoplada al conducto coaxial o a la curva de 45°.

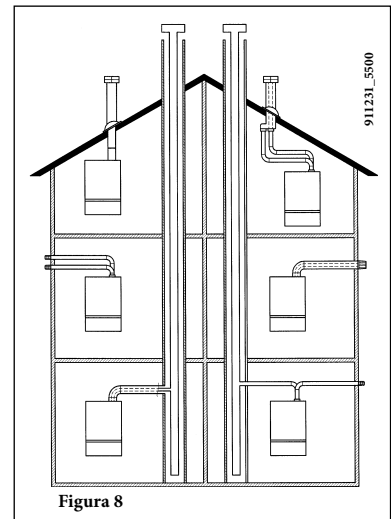
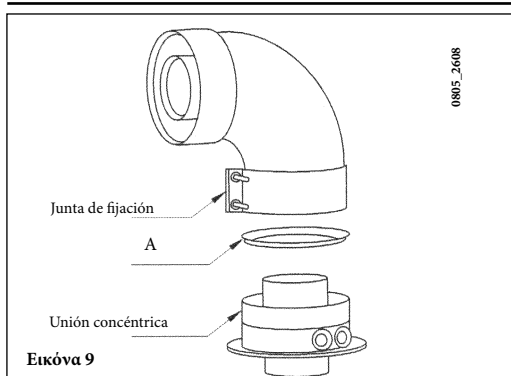


Figura 8

ADVERTENCIA

Para garantizar una mayor seguridad de funcionamiento es necesario que los conductos de descarga humos estén fijados correctamente a la pared mediante especiales estribos de fijación.



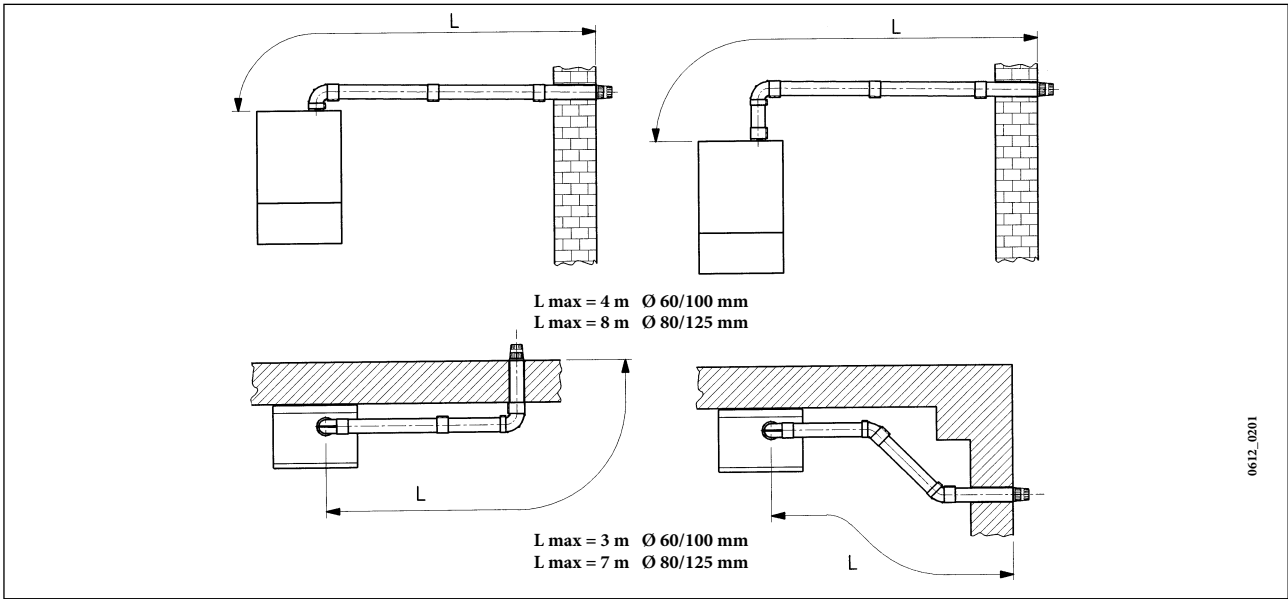
MODELO CALDERA	LARGO MÁX. (m)	DIAFRAGMA ASPIRACIÓN (A) (mm)
BOYLER DIGIT 240/40 Fi - 240/60 Fi	0,5	73
	0,5 ÷ 2	80
	2 ÷ 4	NO
BOYLER DIGIT 280/60 Fi	0 ÷ 1	76
	1 ÷ 4	NO

En caso de descarga hacia afuera, el conducto de descarga-aspiración debe salir de la pared por 18 mm, como mínimo, para permitir el posicionamiento del rosetón de aluminio y su selladura, a fin de evitar las infiltraciones de agua.

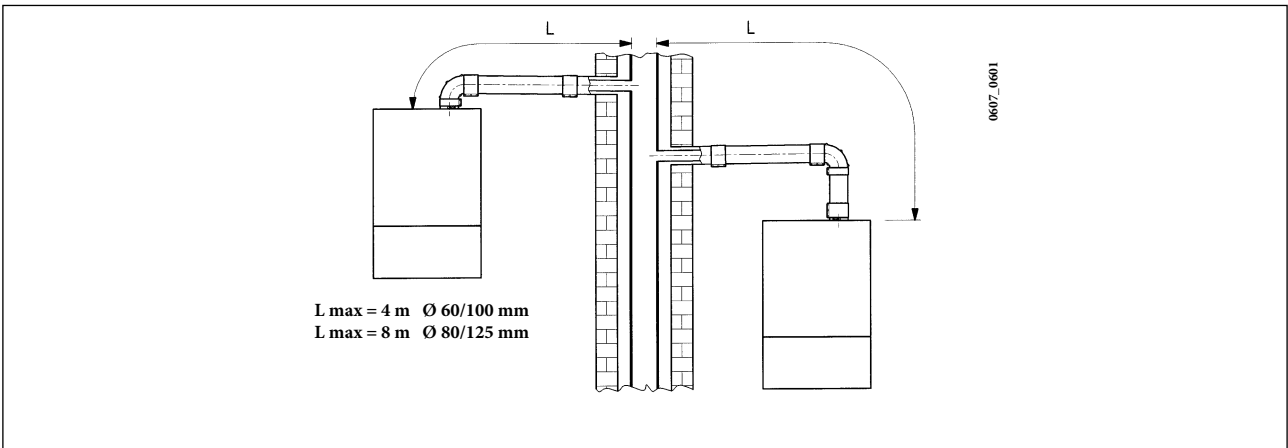
La inclinación mínima hacia afuera de estos conductos debe ser 1 cm por metro de largo.

- La introducción de una curva de 90° comporta una reducción de 1 metro del largo total del conducto.
- La introducción de una curva de 45° comporta una reducción de 0,5 metros del largo total del conducto.

16.1 EJEMPLOS DE INSTALACIÓN CON CONDUCTOS HORIZONTALES

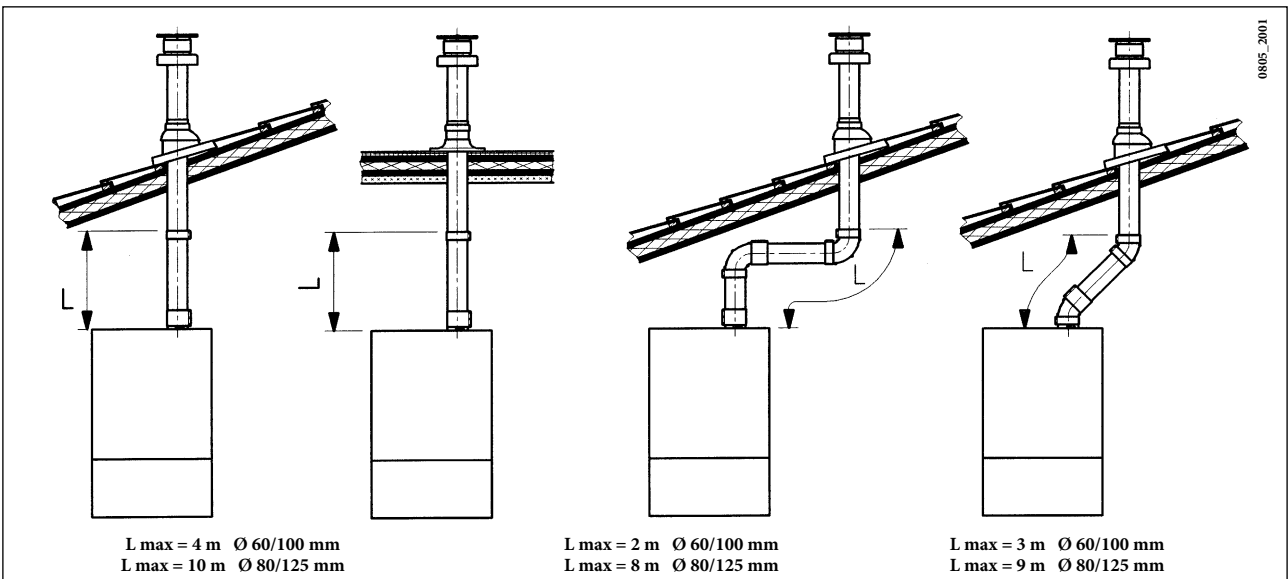


16.2 EJEMPLOS DE INSTALACIÓN CON CONDUCTOS DE HUMO DE TIPO LAS



16.3 EJEMPLOS DE INSTALACIÓN CON CONDUCTOS VERTICALES

La instalación se puede efectuar ya sea con techo inclinado como con techo plano, utilizando el accesorio chimenea y la especial teja con vaina disponible a pedido.



Para instrucciones más detalladas sobre las modalidades de montaje de los accesorios véanse las noticias técnicas que acompañan los accesorios.

CONDUCTOS DE DESCARGA-ASPIRACIÓN SEPARADOS

Este tipo de conducto permite la descarga de los productos de la combustión ya sea fuera del edificio, como en conductos de humo individuales.

La aspiración del aire comburente se puede efectuar en zonas diferentes a las de descarga.

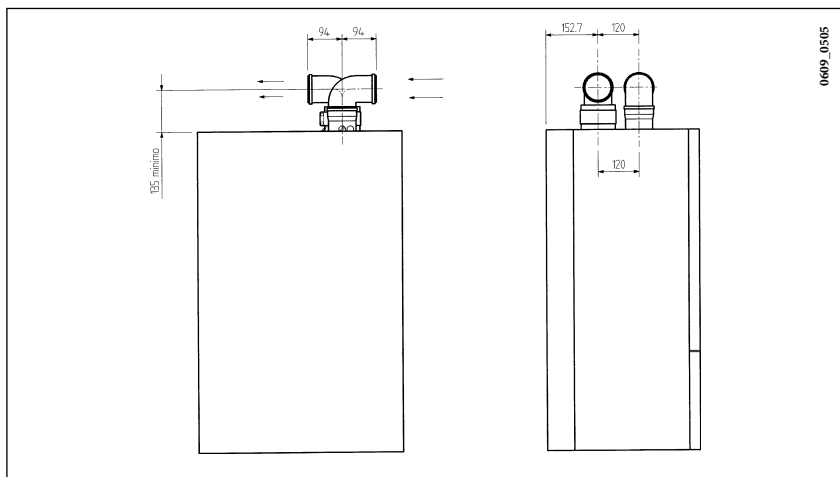
El accesorio desdoblador se compone de una unión de reducción descarga (100/80) y de una unión de aspiración aire.

La junta y los tornillos de la unión de aspiración aire a utilizar son los que se habían retirado anteriormente del tapón.

El diafragma presente en la caldera se debe remover en caso de instalación con estos tipos de conductos.

NOTA: el primer codo de 90° no entra en el cálculo de la longitud máxima disponible.

El codo de 90° permite conectar la caldera a los conductos de descarga y aspiración en cualquier dirección gracias a posibilidad de rotación de 360°. Se puede utilizar también como curva suplementaria acoplada al conducto o a la curva de 45°.



- La introducción de una curva de 90° comporta una reducción de 0,5 metros del largo total del conducto.
- La introducción de una curva de 45° comporta una reducción de 0,25 metros del largo total del conducto.

Regulación del registro del aire para descarga desdoblada

La regulación de este registro resulta necesaria para la optimización del rendimiento y de los parámetros de la combustión.

Girando la unión de aspiración del aire se regula oportunamente el exceso de aire en relación a la longitud total de los conductos de descarga y aspiración del aire comburente.

Girar este registro en sentido horario para disminuir el exceso de aire comburente y viceversa para aumentarlo.

Para una mayor optimización es posible medir, mediante un analizador de los productos de la combustión, el contenido de CO₂ en los humos al máximo caudal térmico y regular gradualmente el registro de aire hasta registrar el contenido de CO₂ descrito en la siguiente tabla, si con el análisis se obtiene un valor inferior.

Para el correcto montaje de este dispositivo también véanse las instrucciones que acompañan el mismo.

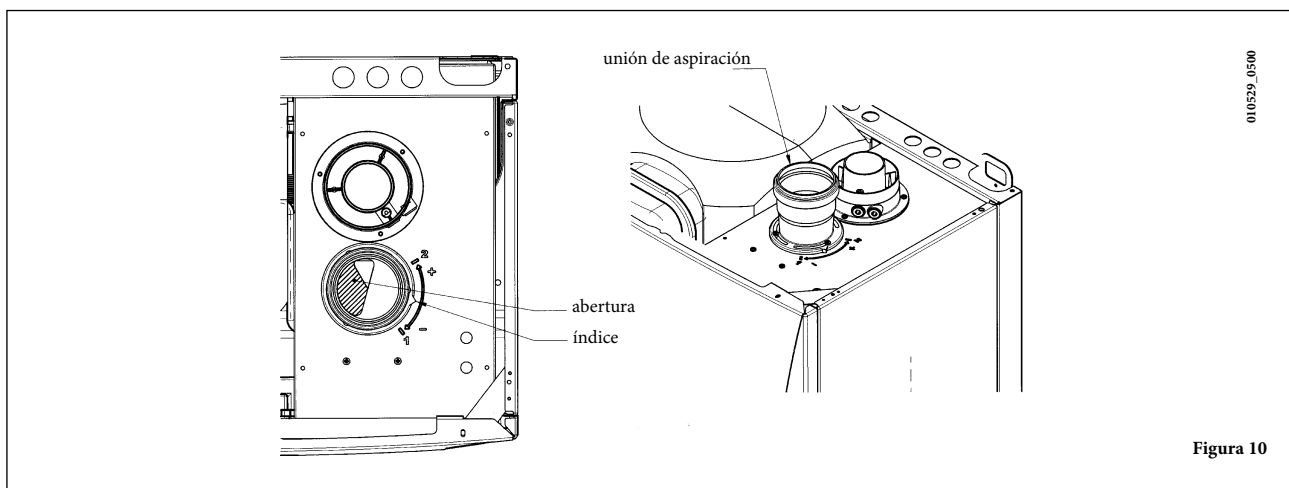


Figura 10

	LARGO MÁX.	POSICIÓN REGISTRO	CO2%		
	L1+L2 (m)	AFR	G20	G30	G31
240/40 Fi - 240/60 Fi	0 ÷ 20	1	6,7	8,7	8,7
	20 ÷ 30	2			
280/60 Fi	0 ÷ 20	1	6,0	8,0	8,0
	20 ÷ 30	2			

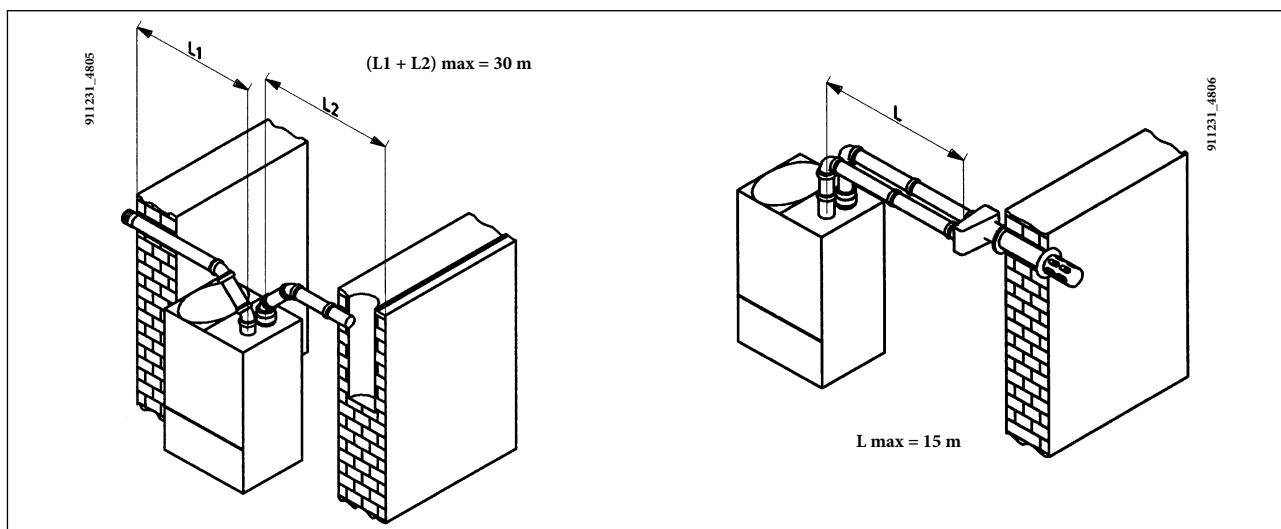
N.B.: para los tipos C52 los terminales para la aspiración del aire comburente y para la descarga de los productos de la combustión no se deben situar en las paredes opuestas al edificio. El conducto de aspiración debe tener una longitud máxima de 10 metros.

Cuando la longitud del conducto de descarga es superior a 6 metros es necesario instalar, cerca de la caldera, el kit recolector del condensado que se suministra como accesorio.

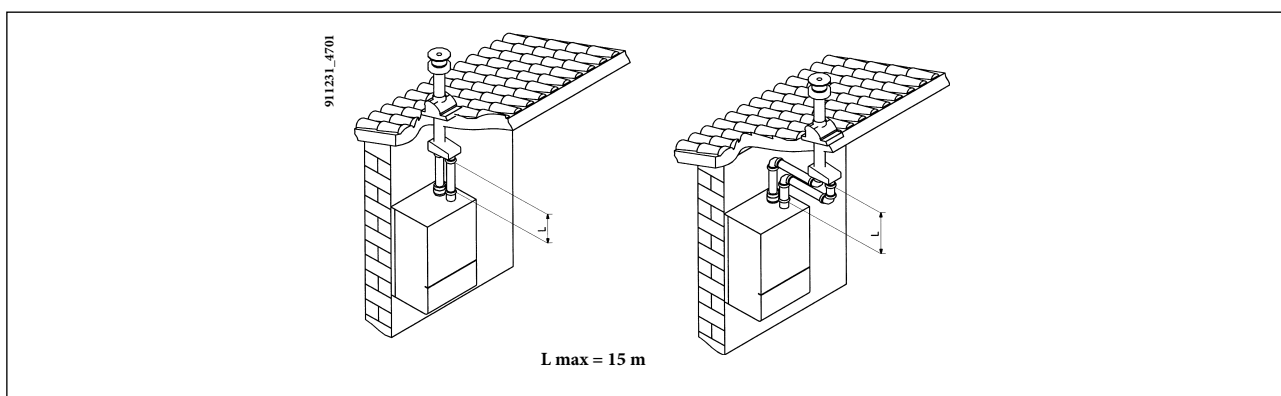
IMPORTANTE: el conducto individual para la descarga de los productos de la combustión se debe aislar de forma adecuada, en los puntos donde está en contacto con las paredes de la vivienda, con un aislamiento apropiado (por ejemplo una colchoneta de lana de vidrio). Para instrucciones más detalladas sobre las modalidades de montaje de los accesorios véanse las noticias técnicas que acompañan los accesorios.

16.4 EJEMPLOS DE INSTALACIÓN CON CONDUCTOS SEPARADOS HORIZONTALES

IMPORTANTE : La pendiente mínima, hacia el exterior, del conducto de descarga debe ser de 1 cm por metro de longitud. En caso de instalación del kit recolector del condensado la pendiente del conducto de descarga debe estar dirigida hacia la caldera.



16.5 EJEMPLOS DE INSTALACIÓN CON CONDUCTOS SEPARADOS VERTICALES



17. CONEXIÓN ELÉCTRICA

La seguridad eléctrica del aparato se obtiene sólo cuando está correctamente conectado a una eficaz instalación de puesta a tierra, realizada de conformidad con las normas vigentes de seguridad de las instalaciones.

La caldera se debe conectar eléctricamente a una red de alimentación 230 V monofásica + tierra, por medio del cable de tres hilos del equipo de base, respetando la polaridad LÍNEA-NEUTRO.

La conexión se debe efectuar por medio de un interruptor bipolar con apertura de los contactos de por lo menos 3 mm.

En caso de sustitución del cable de alimentación, se debe utilizar un cable homologado "HAR H05 VV-F" 3x0,75 mm² con diámetro máximo de 8 mm.

Acceso al tablero de bornes de alimentación

- cortar tensión a la caldera por medio del interruptor bipolar;
- destornillar los dos tornillos de fijación del panel de mandos a la caldera;
- hacer girar el panel de mandos;
- retirar la tapa y acceder a la zona de las conexiones eléctricas (figura 11).

Los fusibles, del tipo rápido de 2A, están incorporados en el tablero de bornes de alimentación (extraer el portafusible negro para el control y/o la sustitución).

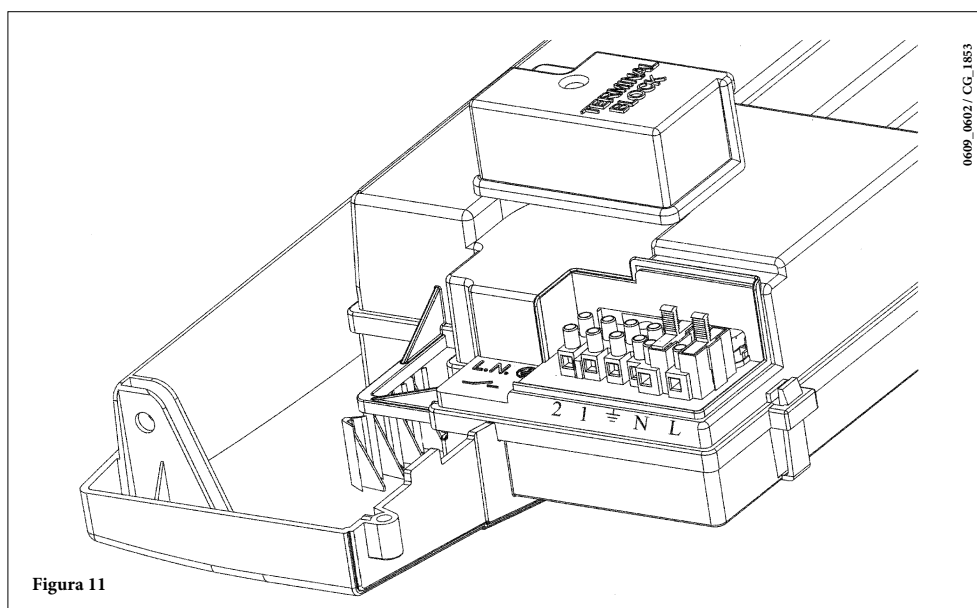
(L) = **Línea** (marrón)

(N) = **Neutro** (celeste)

⊕ = **Tierra** (amarillo-verde)

(1) (2) = **Contacto para termostato ambiente**

IMPORTANTE: respetar la polaridad eléctrica L (LÍNEA) - N (NEUTRO).



ADVERTENCIA

En caso de que el aparato esté conectado directamente a una instalación en el pavimento, el instalador debe instalar un termostato de protección para protegerlo contra las sobretemperaturas.

18. CONEXIÓN DEL TERMOSTATO AMBIENTE

- acceder al tablero de bornes de alimentación (figura 11), según e describe en el capítulo anterior;
- eliminar el puente sobre los bornes (1) y (2);
- introducir el cable de dos hilos en el pasacable y conectarlo a estos dos bornes.

19. MODALIDADES DE CAMBIO GAS

El Servicio de Asistencia Técnica autorizado puede realizar la transformación de la caldera para el uso con gas metano (G20) o gas líquido (G30, G31).

Las operaciones a efectuar en secuencia son las siguientes:

- A) sustitución de los inyectores del quemador principal;
- B) cambio de tensión del modulador;
- C) nuevo calibrado máx. y mín. del regulador de presión

A) Sustitución de los inyectores

- extraer con cuidado el quemador de su asiento;
- sustituir los inyectores del quemador asegurándose de bloquearlos perfectamente para evitar escapes de gas. El diámetro de los inyectores se muestra en la tabla 1.

Modalidades de sustitución del inyector diafragma

(para los modelos 240/40 i - 240/60 i - 240/40 Fi y 240/60 Fi)

- desmontar el tubo de alimentación gas (1 de la Figura 12b);
- sustituir el inyector para diafragma montado en la válvula del gas (2);
- volver a montar el tubo de alimentación gas.

B) Cambio de tensión del modulador


- configurar el parámetro F02 según el tipo de gas, como se explica en el capítulo 21.

C) Calibrado del regulador de presión

- conectar la toma de presión positiva de un manómetro diferencial, posiblemente de agua, a la toma de presión (Pb) de la válvula del gas (figura 12a). Para los modelos 240 i/Fi utilizar la toma de presión (3) presente en el tubo de alimentación gas (figura 12b). Conectar, sólo para los modelos con cámara estanca, la toma negativa del mismo manómetro a un especial "T" que permita conectar entre ellos la toma de compensación de la caldera, la toma de compensación de la válvula del gas (Pc) y el manómetro. (Se puede efectuar una medición equivalente conectando el manómetro a la toma de presión (Pb) y sin el panel frontal de la cámara estanca).

Una medición de la presión en los quemadores efectuada con métodos diferentes a los descritos podría resultar incorrecta, dado que no tomaría en cuenta la depresión creada por el ventilador en la cámara estanca.

C1) Regulación a la potencia nominal

- abrir el grifo de gas;
- pulsar la tecla  (apartado 3.2) y situar la caldera en posición invierno;
- abrir el grifo de toma del agua sanitaria a un caudal de por lo menos 10 litros por minuto o de todas maneras asegurarse de que exista una demanda máxima de calor;
- controlar que la presión dinámica de alimentación de la caldera, medida en la toma de presión (Pa) de la válvula del gas (figura 12a), sea correcta (30 mbares para el gas butano, 37 mbares para el gas propano o 20 mbares para el gas metano).
- retirar la tapa del modulador;
- regular el tornillo de latón del manguito hasta obtener los valores de presión indicados en la tabla 1;

C2) Regulación a la potencia reducida

- desconectar el cablecito de alimentación del modulador y destornillar el tornillo rojo hasta alcanzar el valor de presión correspondiente a la potencia reducida (véase la tabla 1);
- conectar el cablecito;
- montar la tapa del modulador y sellar el tornillo de fijación.

C3) Controles finales

- aplicar la placa adicional, que forma parte de la transformación, indicando el tipo de gas y el calibrado efectuado.

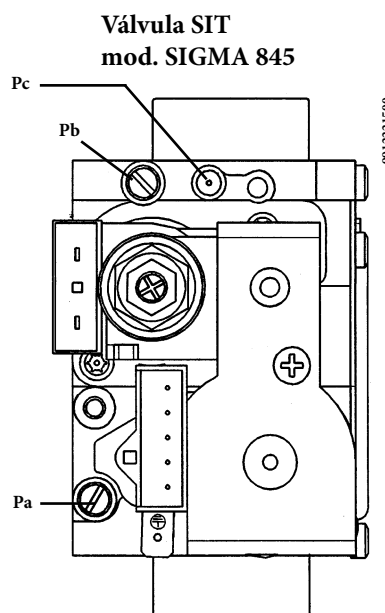


Figura 12a

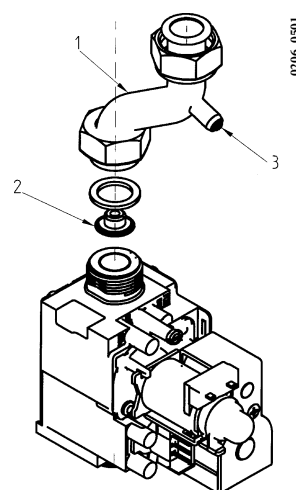


Figura 12b (modelos 240/40 i - 240/60 i - 240/40 Fi y 240/60 Fi)

Tabla de presión en el quemador - potencia producida

Tipo de gas	240/40 i - 240/60 i			240/40 Fi - 240/60 Fi			280/60 i			280/60 Fi		
	G20	G30	G31	G20	G30	G31	G20	G30	G31	G20	G30	G31
Diámetro inyectores (mm)	1,18	0,69	0,69	1,18	0,69	0,69	1,18	0,69	0,69	1,18	0,69	0,69
Presión quemador (mbar*)												
POTENCIA REDUCIDA (mbar)	1,6	3,9	6,9	1,6	3,9	6,9	1,6	3,8	5,7	1,7	4,3	5,9
Presión quemador (mbar*)												
POTENCIA NOMINAL (mbar)	7,7	19,8	25,6	8,1	20,6	26,3	10,3	27,6	35,4	10,6	28,1	35,6
n.º 1 diafragma diámetro	4,5	3,5	3,5	4,5	3,5	3,5	-	-	-	-	-	-
N.º de inyectores	18											

* 1 mbar = 10,197 mm H₂O

Tabla 1

Tabla de consumos

Consumo a 15 °C - 1013 mbar	240/40 i - 240/60 i			280/60 i		
	G20	G30	G31	G20	G30	G31
POTENCIA NOMINAL	2,87 m ³ /h	2,14 Kg/h	2,11 Kg/h	3,29 m ³ /h	2,45 Kg/h	2,42 Kg/h
POTENCIA REDUCIDA	1,26 m ³ /h	0,94 Kg/h	0,92 Kg/h	1,26 m ³ /h	0,94 Kg/h	0,92 Kg/h
p.c.i.	34,02 MJ/m ³	45,60 MJ/Kg	46,30 MJ/Kg	34,02 MJ/m ³	45,60 MJ/Kg	46,30 MJ/Kg

Tabla 2


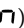
Consumo a 15 °C - 1013 mbar	240/40 Fi - 240/60 Fi			280/60 Fi		
	G20	G30	G31	G20	G30	G31
POTENCIA NOMINAL	2,78 m ³ /h	2,07 Kg/h	2,04 Kg/h	3,18 m ³ /h	2,37 Kg/h	2,34 Kg/h
POTENCIA REDUCIDA	1,26 m ³ /h	0,94 Kg/h	0,92 Kg/h	1,26 m ³ /h	0,94 Kg/h	0,92 Kg/h
p.c.i.	34,02 MJ/m ³	45,60 MJ/Kg	46,30 MJ/Kg	34,02 MJ/m ³	45,60 MJ/Kg	46,30 MJ/Kg

Tabla 2

20. VISUALIZACIÓN DE LA INFORMACIÓN

20.1 INFORMACIÓN SOBRE EL ENCENDIDO DE LA PANTALLA

Para encender la caldera, actuar del siguiente modo:


- Conectar la caldera a la corriente eléctrica.
Cuando la caldera está conectada a la alimentación eléctrica, durante unos 10 segundos, la pantalla visualiza la siguiente información:
 1. todos los símbolos encendidos;
 2. información acerca del fabricante;
 3. información acerca del fabricante;
 4. información acerca del fabricante;
 5. tipo de caldera y gas utilizado (ej.  ).

El significado de las letras que se visualizan es el siguiente:


 = caldera con cámara abierta

 = caldera con cámara estanca

 = gas utilizado NATURAL

 = gas utilizado GPL.

6. configuración del circuito hidráulico;
7. versión software (dos números **x.x**);

- Abrir el grifo del gas;
- Pulsar la tecla  (unos 2 segundos) para seleccionar el modo de funcionamiento de la caldera como se explica en el apartado 3.2.

20.2 INFORMACIÓN SOBRE EL FUNCIONAMIENTO

Para visualizar en la pantalla la información acerca del funcionamiento de la caldera, actuar como se indica a continuación:

- Mantener pulsada la tecla (R) durante unos 6 segundos. Cuando la función está activada, la pantalla visualiza la indicación "A00" (... "A07") alternada con el valor correspondiente (figura 13);

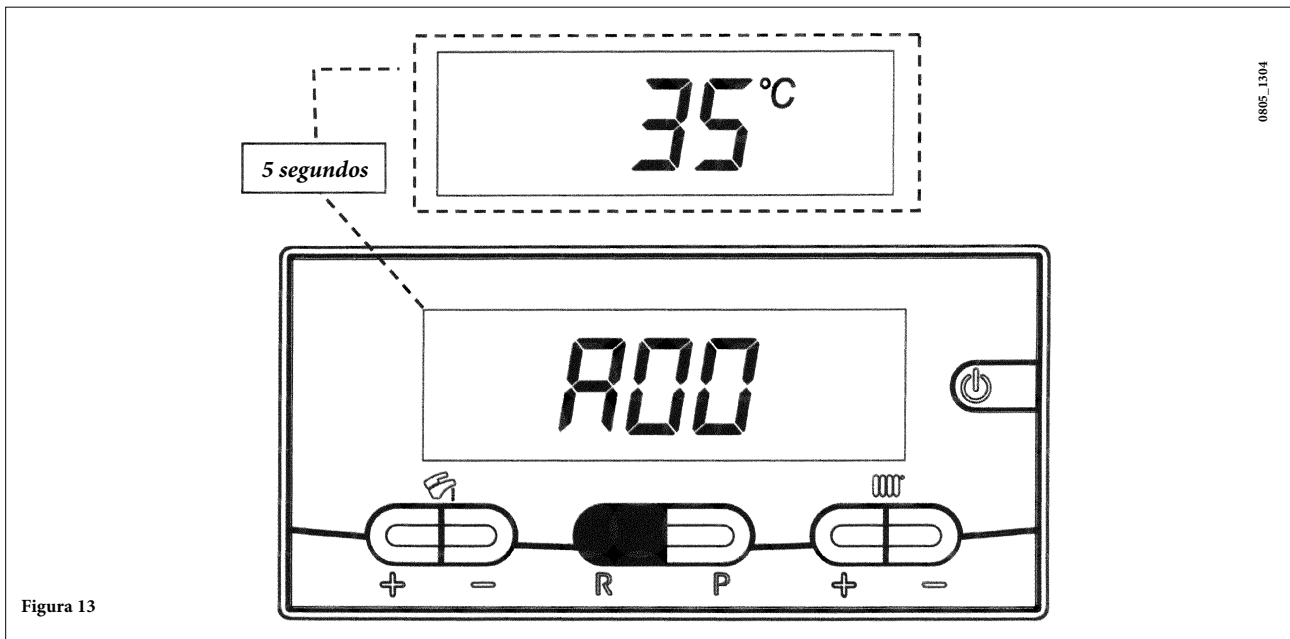


Figura 13

- Pulsar las teclas +/- de regulación de la temperatura del agua caliente sanitaria (☞) para visualizar la siguiente información:

A00: valor (°C) instantáneo de la temperatura del agua caliente sanitaria (A.C.S.);
A01: valor (°C) instantáneo de la temperatura exterior (con sonda exterior conectada);
A02: valor (%) de corriente en el modulador (100% = 230 mA METANO - 100% = 310 mA GPL);
A03: valor (%) del rango de potencia (MÁX. R) - Parámetro F13 (apartado 21);
A04: valor (°C) de temperatura de set-point de la calefacción;
A05: valor (°C) instantáneo de la temperatura de impulsión de la calefacción;
A06: no utilizado;
A07: valor (%) de la señal de llama (8-100%).

NOTA: las líneas de visualización A08 y A09 no se utilizan.

- Esta función permanece activada durante 3 minutos. Es posible interrumpir anticipadamente la función "INFO" pulsando la tecla ⏻.

20.3 VISUALIZACIÓN DE ANOMALÍAS

NOTA: es posible realizar 5 intentos seguidos de rearme, tras los cuales la caldera se queda bloqueada. Para realizar un nuevo intento de rearme, actuar como se indica a continuación:

- pulsar la tecla ⏻ seleccionando la modalidad "APAGADO" (como se explica en el apartado 3.2);
- pulsar la tecla R durante unos 2 segundos, la pantalla visualiza la indicación "OFF";
- restablecer el modo de funcionamiento de la caldera.

Los códigos y la descripción de las anomalías se indican en el apartado 9.


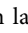
20.4 INFORMACIÓN ADICIONAL

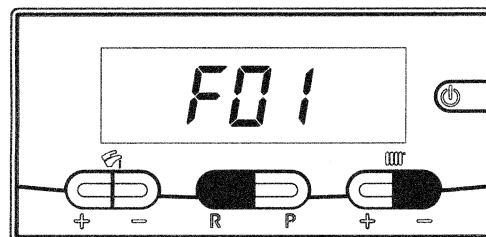
Para completar la información técnica consultar el documento "INSTRUCCIONES PARA EL SERVICIO".

21. CONFIGURACIÓN DE LOS PARÁMETROS

Para configurar los parámetros de la caldera, pulsar a la vez la tecla **R** y la tecla - (0000) durante al menos 6 segundos. Cuando la función está activada, en la pantalla se visualiza la indicación “**F01**” alternada con el valor del parámetro visualizado.

Modificación de parámetros

- Para desplazarse por los parámetros, pulsar las teclas +/- ;
- Para modificar un parámetro, pulsar las teclas +/- 0000
- Para memorizar el valor, pulsar la tecla **P**; en la pantalla se visualiza la indicación “**MEM**”
- Para salir de la función sin memorizar, pulsar la tecla , en la pantalla se visualiza la indicación “**ESC**”.



0606_2903

	Descripción de los parámetros	Ajustes de fábrica			
		240/40 Fi - 240/60 Fi	240/40 i - 240/60 i	280/60 i	280/60 Fi
F01	Tipo de caldera 10 = cámara estanca - 20 = cámara abierta	10	20	20	10
F02	Tipo de gas utilizado 00 = METANO - 01 = GPL	00 o 01			
F03	Sistema hidráulico	06			
F04	Configuración relé programable 1 (02 = instalación de zonas - Véanse las instrucciones de Servicio)	02			
F05	Configuración relé programable 2 (Véanse las instrucciones de Servicio)	04			
F06	Configuración sonda exterior (Véanse las instrucciones de Servicio).	00			
F07...F12	Información sobre el fabricante	00			
F13	Máx. potencia de calefacción (0-100%)	100			
F14	Máx. potencia agua caliente sanitaria (0-100%)	100			
F15	Potencia mín. de calefacción (0-100%)	00			
F16	Selección set-point máximo (°C) calefacción 00 = 85°C - 01 = 45°C	00			
F17	Tiempo de post-circulación bomba para calefacción (01-240 minutos)	03			
F18	Tiempo de espera de la calefacción antes de un nuevo encendido (00-10 minutos) - 00=10 segundos	03			
F19	Información sobre el fabricante	07			
F20	Información sobre el fabricante	00			
F21	Función antilegionella 00 = Desactivada - 01 = Activada	00			
F22	Información sobre el fabricante	00			
F23	Máximo set-point agua caliente sanitaria (ACS)	65			
F24	Información sobre el fabricante	35			
F25	Dispositivo de protección ante falta de agua	01			
F26...F29	Información sobre el fabricante (parámetros de sólo lectura)	--			
F30	Información sobre el fabricante	10			
F31	Información sobre el fabricante	00			
F32...F41	Diagnóstico (Véanse las instrucciones de Servicio)	--			
Último parámetro	Activación de la función de tarado (Véanse las instrucciones de Servicio)	0			

ATENCIÓN: no modificar el valor de los parámetros “información sobre el fabricante”.

22. DISPOSITIVOS DE REGULACIÓN Y SEGURIDAD

La caldera está construida para satisfacer todas las prescripciones de las Normativas europeas de referencia; en particular, está provista de:

- **Presóstato de aire para los modelos a flujo forzado (240/40 Fi - 240/60 Fi y 280/60 Fi)**

Este dispositivo impide que se encienda el quemador si el circuito de evacuación de humos no es perfectamente eficaz.

En presencia de una de estas anomalías:

- terminal de descarga obstruido
- Venturi obstruido
- ventilador bloqueado
- conexión "Venturi" - presóstato interrumpido

La caldera permanecerá en espera activando el código de error E03 (véase la tabla del apartado 9).

- **Termostato humos para los modelos de tiro natural (240/40 i - 240/60 i y 280/60 i)**

Este dispositivo, cuyo sensor está posicionado en la parte izquierda de la campana de humos, interrumpe la entrada del gas en el quemador principal en caso de chimenea obstruida y/o falta de tiro.

En estas condiciones la caldera se bloquea y sólo después de haber eliminado la causa de la activación es posible repetir el encendido (apartado 9).

- **Termostato de seguridad**

Este dispositivo, cuyo sensor está posicionado en la impulsión de la calefacción, interrumpe el flujo del gas al quemador en caso de sobrecalentamiento del agua contenida en el circuito primario. En estas condiciones la caldera se bloquea y sólo después de haber eliminado la causa de la activación es posible repetir el encendido (apartado 9).

Está prohibido desactivar este dispositivo de seguridad

- **Detector por ionización de llama**

El electrodo de detección garantiza la seguridad en caso de falta de gas o interencendido incompleto del quemador principal. En estas condiciones la caldera se bloquea. Para restablecer las normales condiciones de funcionamiento, véase el apartado 9.

- **Presóstato diferencial hidráulico**

Este dispositivo, instalado en el grupo hidráulico, permite el encendido del quemador principal sólo si la bomba puede suministrar la altura manométrica necesaria y sirve para proteger el intercambiador agua-humos contra la falta eventual de agua o el bloqueo de la bomba.

- **Postcirculación bomba**

La postcirculación de la bomba, obtenida electrónicamente, dura 3 minutos y se activa, en la función calefacción, después del apagado del quemador principal por el accionamiento del termostato ambiente.

- **Dispositivo antihielo**

La gestión electrónica de la caldera está provista de una función "antihielo" en calefacción que, con temperatura de impulsión instalación inferior a 5 °C, hace funcionar el quemador hasta alcanzar un valor de 30 °C en impulsión. Esta función está operativa si la caldera está alimentada eléctricamente, si hay gas y si la presión de la instalación es la establecida.

- **Función antilegionella**

La función antilegionella NO está activada.

Para activarla, configurar el parámetro F21 = 01 (según se describe en el apartado 21). Cuando esta función está activada, a intervalos de una semana la gestión electrónica de la caldera lleva el agua contenida en el interior del hervidor a una temperatura superior a 60°C (la función es operativa sólo si el agua no ha superado nunca 60°C durante los 7 días anteriores).

- **Antibloqueo bomba**

En caso de falta de demanda de calor, en calefacción y/o sanitario, por un periodo de 24 horas consecutivas, la bomba se pone en funcionamiento automáticamente por 10 segundos. Esta función es operativa si la caldera está alimentada eléctricamente.

- **Antibloqueo válvula de tres vías**

En caso de falta de demanda de calor en calefacción por un periodo de 24 horas la válvula de tres vías realiza una conmutación completa. Esta función es operativa si la caldera está alimentada eléctricamente.

- **Válvula de seguridad hidráulica (circuito de calefacción)**

Este dispositivo, calibrado a 3 bares, está al servicio del circuito de calefacción.

- **Válvula de seguridad hidráulica (circuito del agua caliente sanitaria)**

Este dispositivo, calibrado a 8 bares, está al servicio del circuito del agua caliente sanitaria (hervidor).

Se aconseja empalmar las válvulas de seguridad con un desagüe provisto de sifón. Está prohibido utilizarlas como medio para vaciar el circuito de calefacción y/o del agua caliente sanitaria.

23. POSICIONAMIENTO DEL ELECTRODO DE ENCENDIDO Y DETECCIÓN DE LLAMA

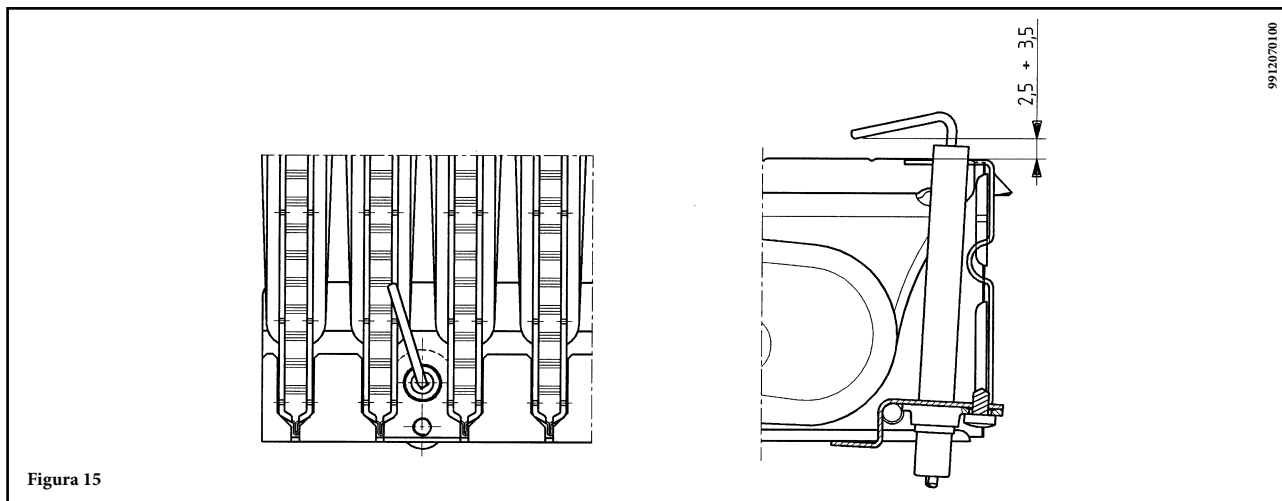


Figura 15

24. CONTROL DE LOS PARÁMETROS DE COMBUSTIÓN

Para la medición en obra del rendimiento de combustión y de la higienicidad de los productos de la combustión, los modelos de caldera a flujo forzado están provistos de dos tomas situadas en la unión concéntrica y destinadas a este uso específico.

Una toma está conectada al circuito de descarga de los humos y permite medir la higienicidad de los productos de la combustión y el rendimiento de la combustión.

La otra está conectada al circuito de aspiración del aire comburente, en la cual se puede controlar la eventual recirculación de los productos de la combustión, en caso de conductos coaxiales.

En la toma conectada al circuito de los humos se pueden medir los siguientes parámetros:

- temperatura de los productos de la combustión;
- concentración de oxígeno (O₂) o, en alternativa, de dióxido de carbono (CO₂);
- concentración de monóxido de carbono (CO).

La temperatura del aire comburente se debe medir en la toma conectada al circuito de aspiración del aire presente en la unión concéntrica.

Para los modelos de calderas de tiro natural es necesario hacer un agujero en el conducto de descarga de los humos a una distancia de la caldera que corresponda a 2 veces el diámetro interior del conducto.

Este agujero permite medir los siguientes parámetros:

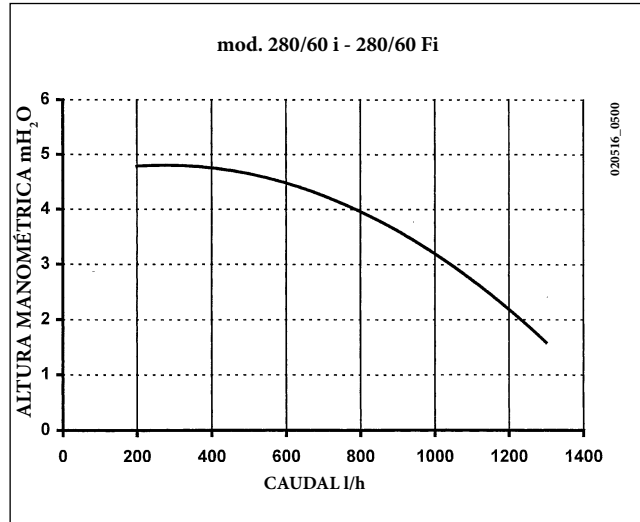
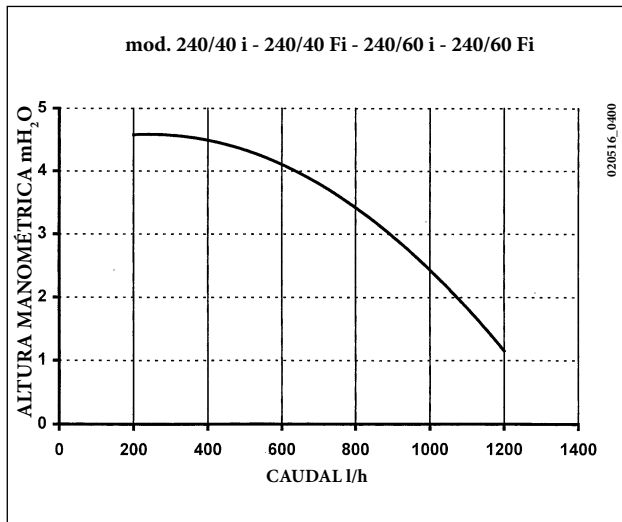
- temperatura de los productos de la combustión;
- concentración de oxígeno (O₂) o, en alternativa, de dióxido de carbono (CO₂);
- concentración de monóxido de carbono (CO).

La medición de la temperatura del aire comburente se debe efectuar en las cercanías de la entrada del aire en la caldera.

El agujero, que debe ser realizado por el responsable de la instalación en ocasión de la primera puesta en funcionamiento, debe estar cerrado para asegurar la hermeticidad del conducto de evacuación a los productos de la combustión durante el funcionamiento normal.

25. CARACTERÍSTICAS DEL CAUDAL / ALTURA MANOMÉTRICA DE PLACA

La bomba utilizada es del tipo de gran altura manométrica, adecuada para el uso en cualquier tipo de instalación de calefacción mono o de dos tubos. La válvula automática de purga aire incorporada en el cuerpo de la bomba permite una rápida desaireación de la instalación de calefacción.



NOTA: para los modelos Boyler Digit 240 está disponible una bomba aumentada con las mismas características que la bomba instalada en los modelos Boyler Digit 280.

26. VACIADO DEL AGUA CONTENIDA EN EL HERVIDOR

El vaciado del agua contenida en el hervidor se puede efectuar actuando según se describe a continuación:

- cerrar el grifo de entrada agua caliente sanitaria;
- abrir un grifo de utilización;
- desenroscar la virola del grifo de descarga correspondiente (Fig. 15);
- desenroscar ligeramente la tuerca presente en el tubo de salida del agua caliente sanitaria del hervidor,

27. DEPÓSITO DE EXPANSIÓN SANITARIO (ACCESSORIO BAJO PEDIDO)

Kit depósito de expansión constituido por:

- 1 depósito de expansión de acero inoxidable;
- 1 soporte para depósito de expansión;
- 1 tubo de conexión flexible;
- 1 tubo Ø 8 de conexión del depósito de expansión sanitario.

Conectar el tubo flexible (suministrado como accesorio en el kit depósito de expansión) a las dos uniones A y B según se indica en la figura 15.

La instalación del depósito de expansión sanitario se aconseja en los siguientes casos:

- la presión del acueducto o del sistema de elevación hidráulico requiere la instalación de un reductor de presión (presión superior a 4 bares)
- en la red del agua fría está instalada una válvula de retención
- el desarrollo de la red del agua fría es insuficiente para la expansión del agua contenida en el hervidor y es necesario utilizar el depósito de expansión sanitario.

Recomendación

Para asegurar el funcionamiento eficaz del depósito de expansión, la presión del acueducto debe ser inferior a 4 bares. En caso contrario, instalar un reductor de presión. El reductor de presión se debe regular para obtener una presión de alimentación del agua inferior a 4 bares.

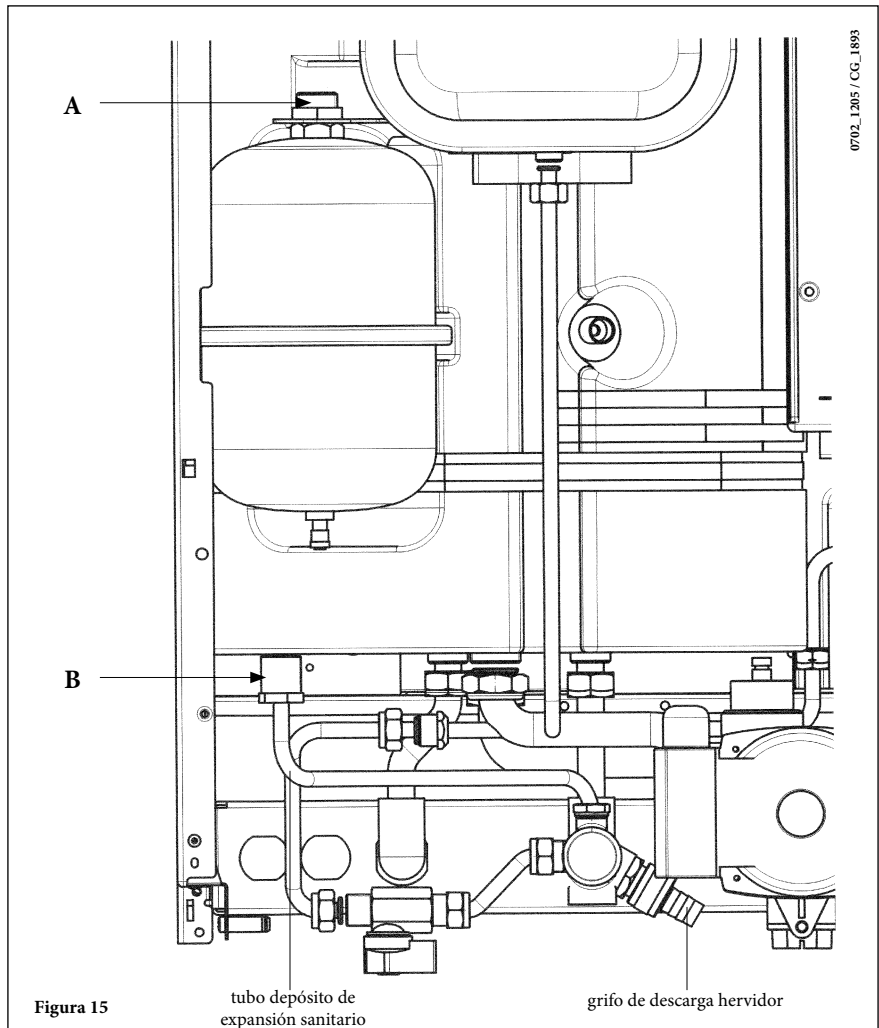


Figura 15

tubo depósito de expansión sanitario

grifo de descarga hervidor

Para zonas de utilización particulares, donde las características de dureza del agua superan los valores de 25 °F (1 °F = 10 mg de carbonato de calcio por litro de agua) se aconseja instalar un dosificador de polifosfatos o un sistema similar, conforme a las normas vigentes.

28. CONEXIÓN DE LA SONDA EXTERIOR

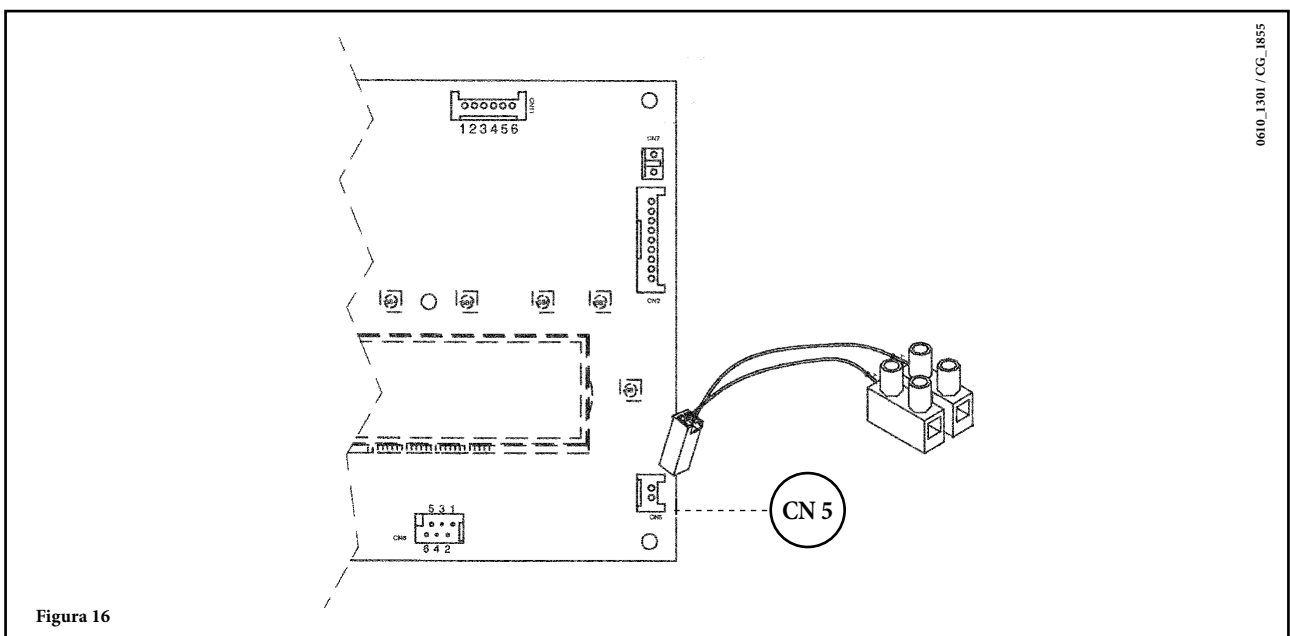


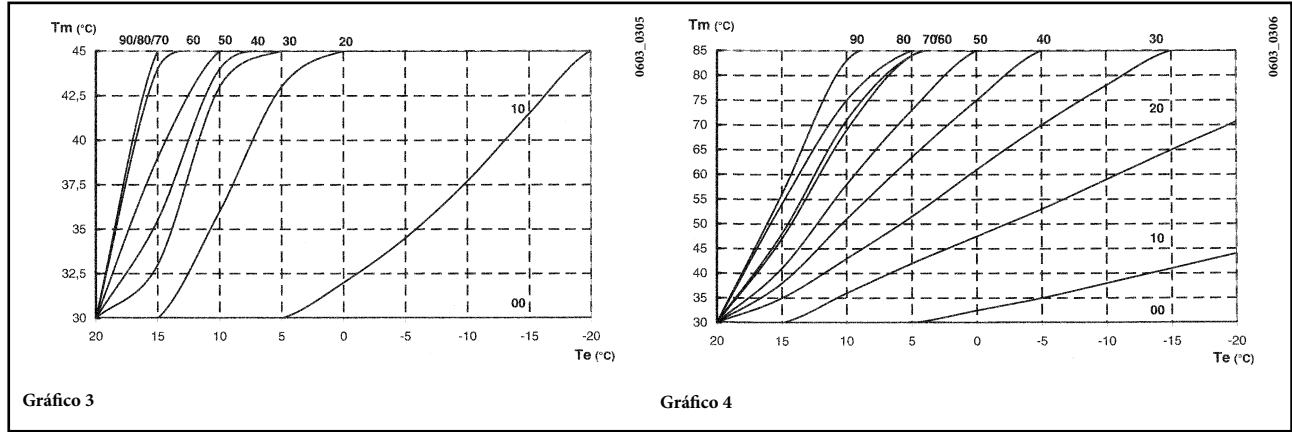
Figura 16

La caldera está realizada para poder conectar una sonda exterior que se suministra como accesorio. Para la conexión véase la figura 16 además de las instrucciones facilitadas con la sonda.

Con la sonda exterior conectada las teclas +/- de regulación de la temperatura del circuito de calefacción ∞ (figura 1) desempeñan la función de regulación del coeficiente de dispersión kt (1...90). En los gráficos 3 y 4 abajo se indica la correspondencia entre el valor programado y las curvas correspondientes. También se pueden seleccionar curvas intermedias respecto a las representadas.

IMPORTANTE: el valor de la temperatura de impulsión **TM** depende de la configuración del parámetro **F16** (véase el apartado 21). En efecto, la temperatura máx. programable puede ser 85 o 45 °C.

Curvas kt



TM = Temperatura de impulsión
Te = Temperatura exterior

29. CONEXIÓN ELÉCTRICA DEL TELECONTROL

(SUMINISTRADO COMO ACCESORIO)

El telecontrol no está incluido en el equipo base de la caldera porque se suministra como accesorio. Abrir el salpicadero de la tarjeta electrónica y conectar el cable (suministrado junto con el tablero de bornes de dos polos) al conector CN7 de la tarjeta electrónica de la caldera. Conectar los terminales del telecontrol al tablero de bornes de dos polos (figura 17).

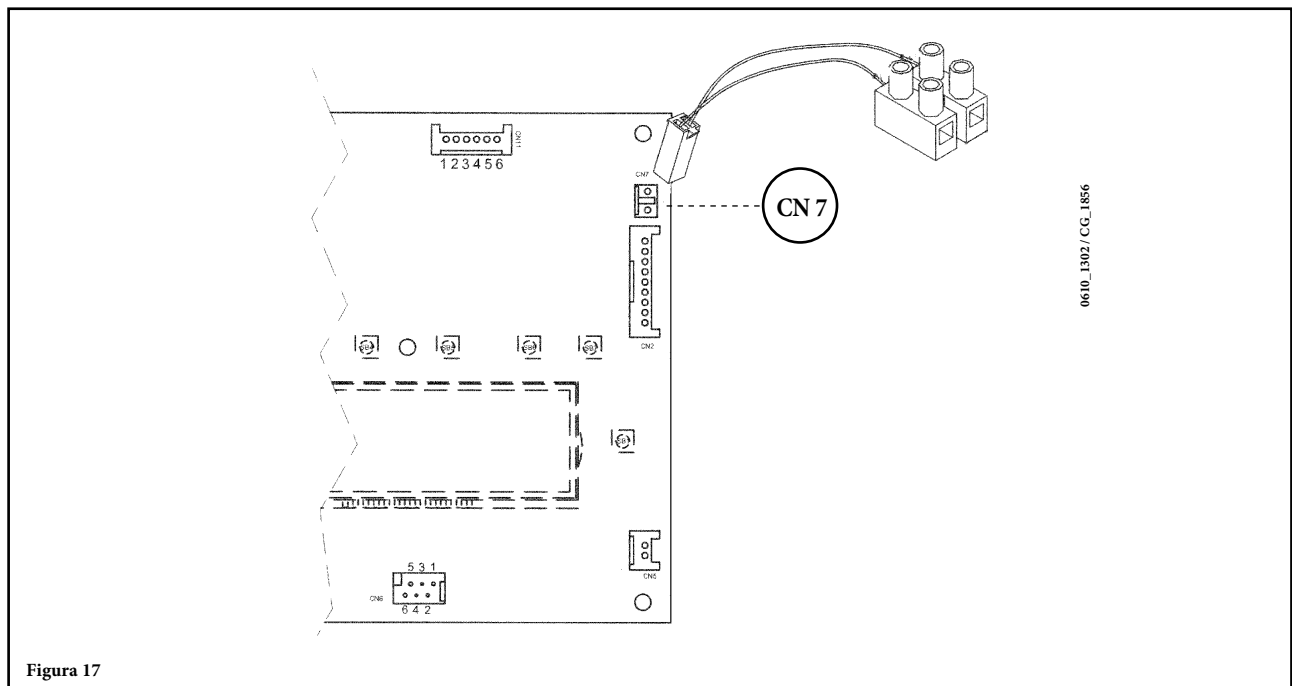
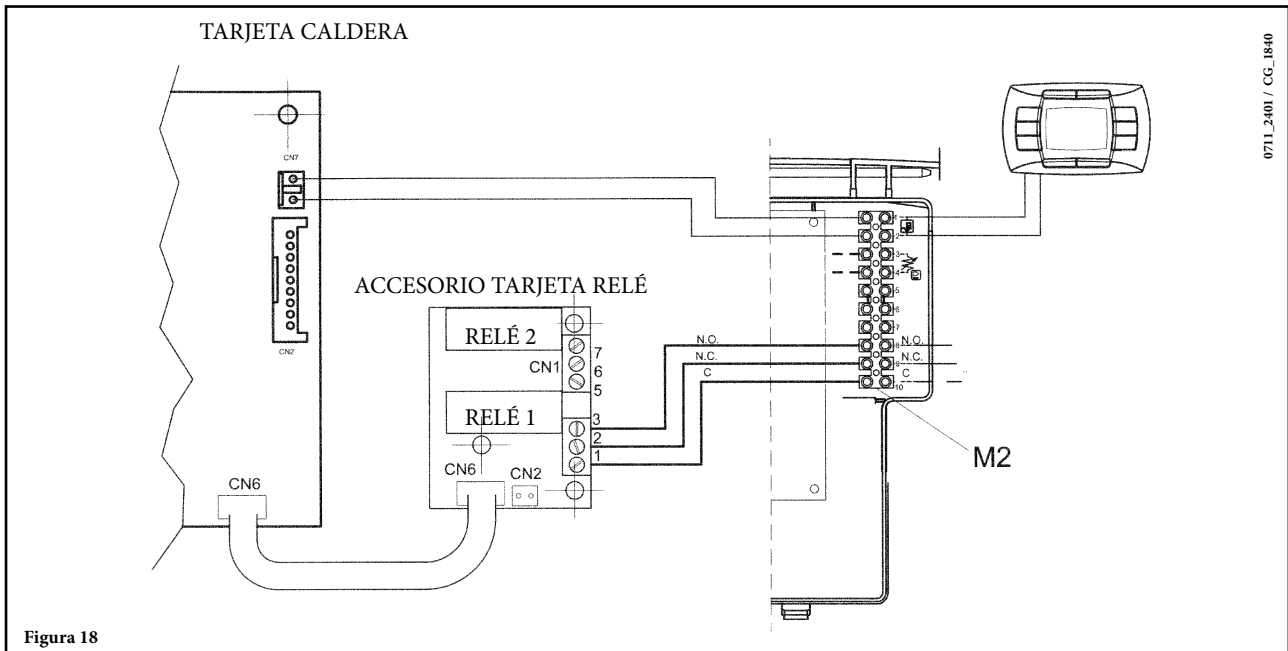


Figura 17

30. CONEXIÓN EÉCTRICA A UNA INSTALACIÓN DE ZONAS

30.1 - CONEXIÓN DE LA TARJETA RELÉ

La tarjeta relé no está incluida en el equipo base de la caldera porque se suministra como accesorio. Conectar los bornes 1-2-3 del conector CN1 de la tarjeta relé a los bornes 10-9-8 correspondientes del tablero de bornes M2 (figura 18).

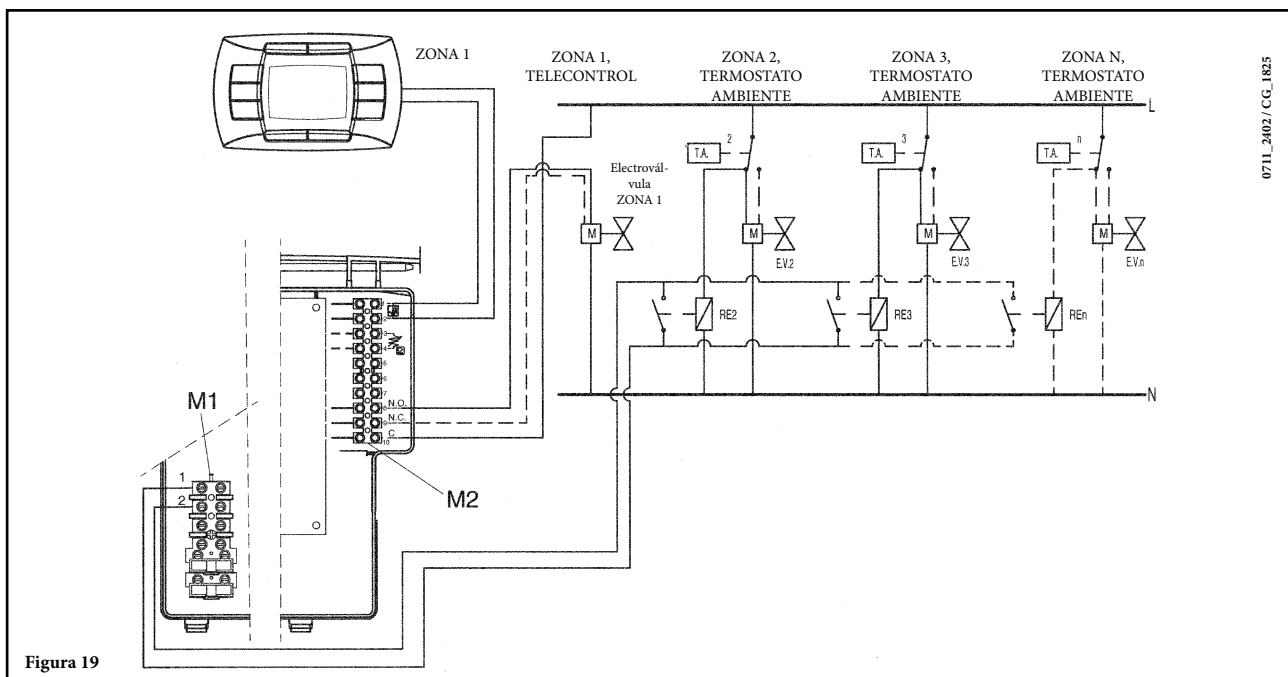


30.2 - CONEXIÓN DE LAS ZONAS

El contacto de la petición de funcionamiento de las zonas no controladas por el telecontrol se debe conectar en paralelo y a los bornes 1-2 "TA" del tablero de bornes M1.

El puente presente se debe quitar.

La zona controlada por el telecontrol está gestionada por la electroválvula de la zona 1, según se indica en la figura 19.



IMPORTANTE: asegurarse de que el parámetro F04 = 2 (según los ajustes de fábrica - apartado 21).

31. MANTENIMIENTO ANUAL

Para garantizar la perfecta eficacia de la caldera es necesario realizar anualmente los siguientes controles:

- control del aspecto y de la hermeticidad de las juntas del circuito del gas y del circuito de combustión;
- control del estado y de la correcta posición de los electrodos de encendido y detección de llama;
- control del estado del quemador y su fijación a la brida de aluminio;
- control de las eventuales impurezas presentes en la cámara de combustión.
Utilizar una aspiradora para la limpieza;
- control del correcto calibrado de la válvula del gas;
- control de las eventuales impurezas presentes en el sifón;
- control de la presión de la instalación de calefacción;
- control de la presión del depósito de expansión;
- control del correcto funcionamiento del ventilador;
- control de los conductos de descarga y aspiración para asegurarse de que no estén atascados;
- control de la integridad del ánodo de magnesio, si está presente, para las calderas dotadas de hervidor.

ADVERTENCIAS

Antes de efectuar cualquier intervención, asegurarse de que la caldera no esté alimentada eléctricamente.

Al finalizar las operaciones de mantenimiento, situar los mandos y/o los parámetros de funcionamiento de la caldera en las posiciones originales.

32. DIAGRAMA FUNCIONAL DE CIRCUITOS

240/40 i - 240/60 i - 280/60 i

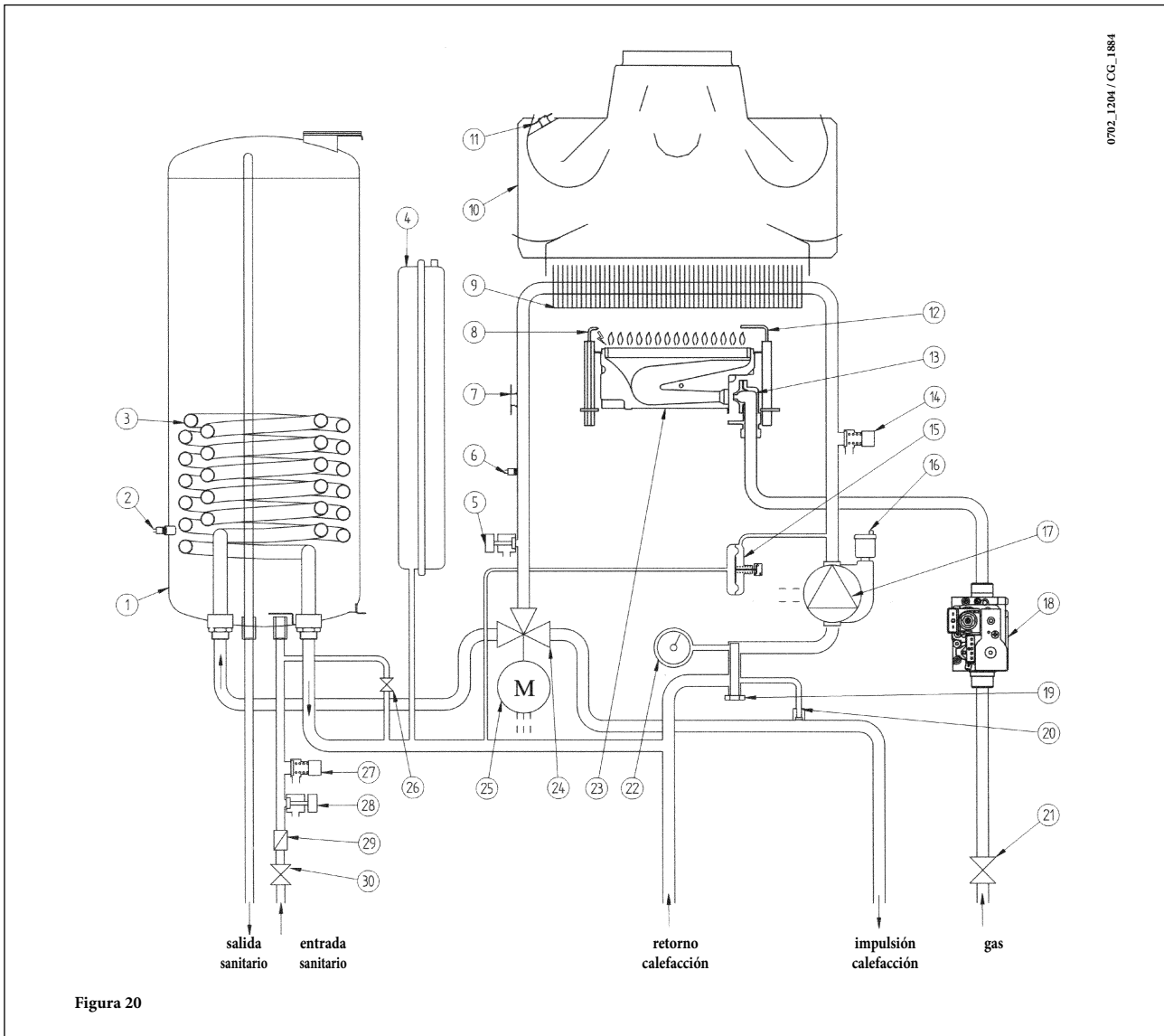


Figura 20

Leyenda:

- | | |
|---|---|
| 1 calentador | 17 bomba con separador de aire |
| 2 sonda calentador | 18 válvula del gas |
| 3 intercambiador sanitario | 19 filtro retorno calefacción |
| 4 depósito de expansión | 20 by-pass automático |
| 5 grifo de descarga caldera | 21 grifo del gas |
| 6 sonda NTC calefacción | 22 manómetro |
| 7 termostato de seguridad | 23 quemador |
| 8 electrodo de encendido | 24 válvula de tres vías |
| 9 intercambiador agua-humos | 25 motor válvula de tres vías |
| 10 campana de humos | 26 grifo de carga caldera |
| 11 termostato de humos | 27 válvula de seguridad sanitario 8 bares |
| 12 electrodo de detección de llama | 28 grifo de descarga calentador |
| 13 rampa gas con inyectores | 29 regulador de flujo |
| 14 válvula de seguridad calefacción 3 bares | 30 grifo de entrada agua |
| 15 presóstato diferencial hidráulico | |
| 16 válvula automática de purga aire | |

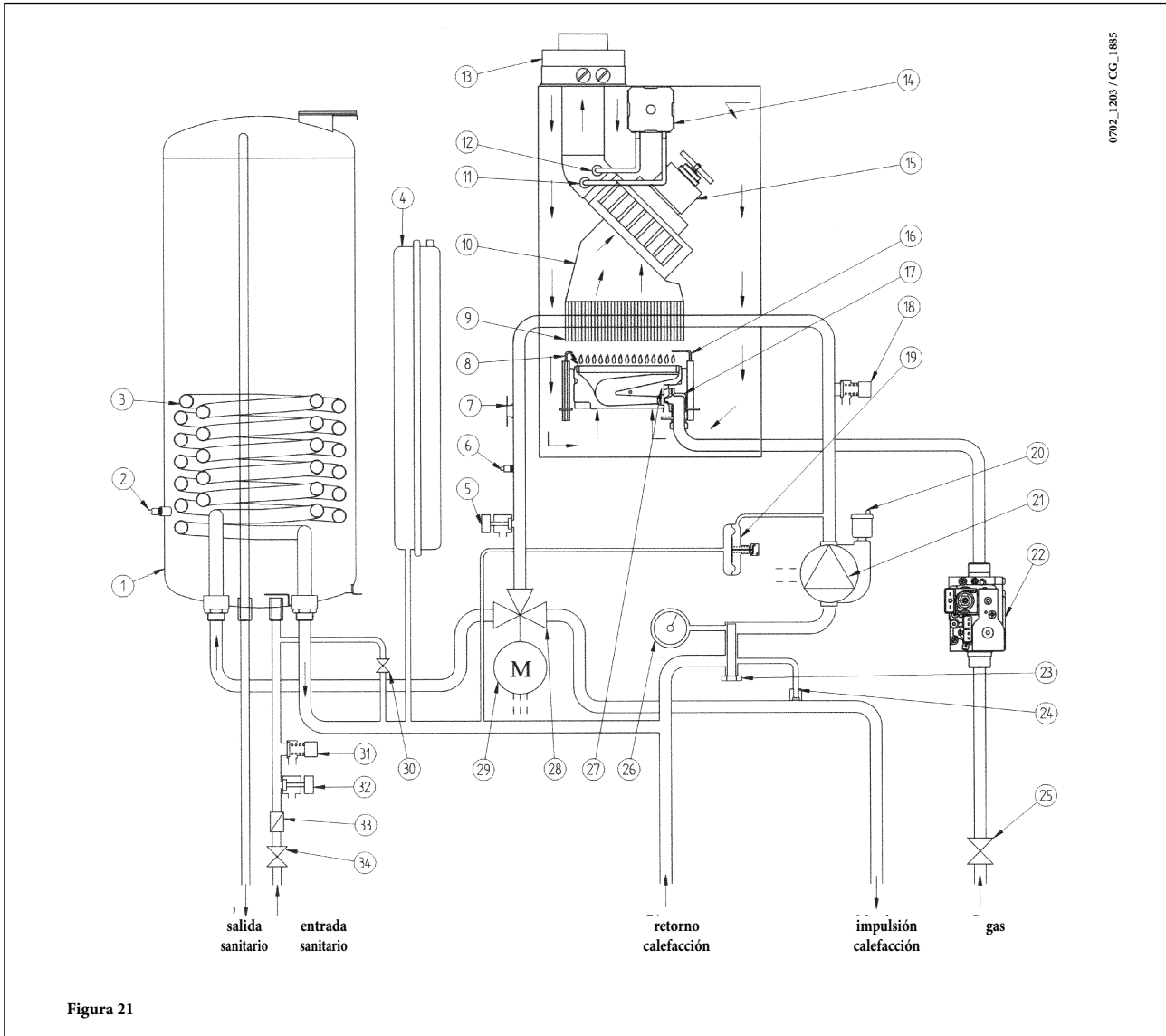
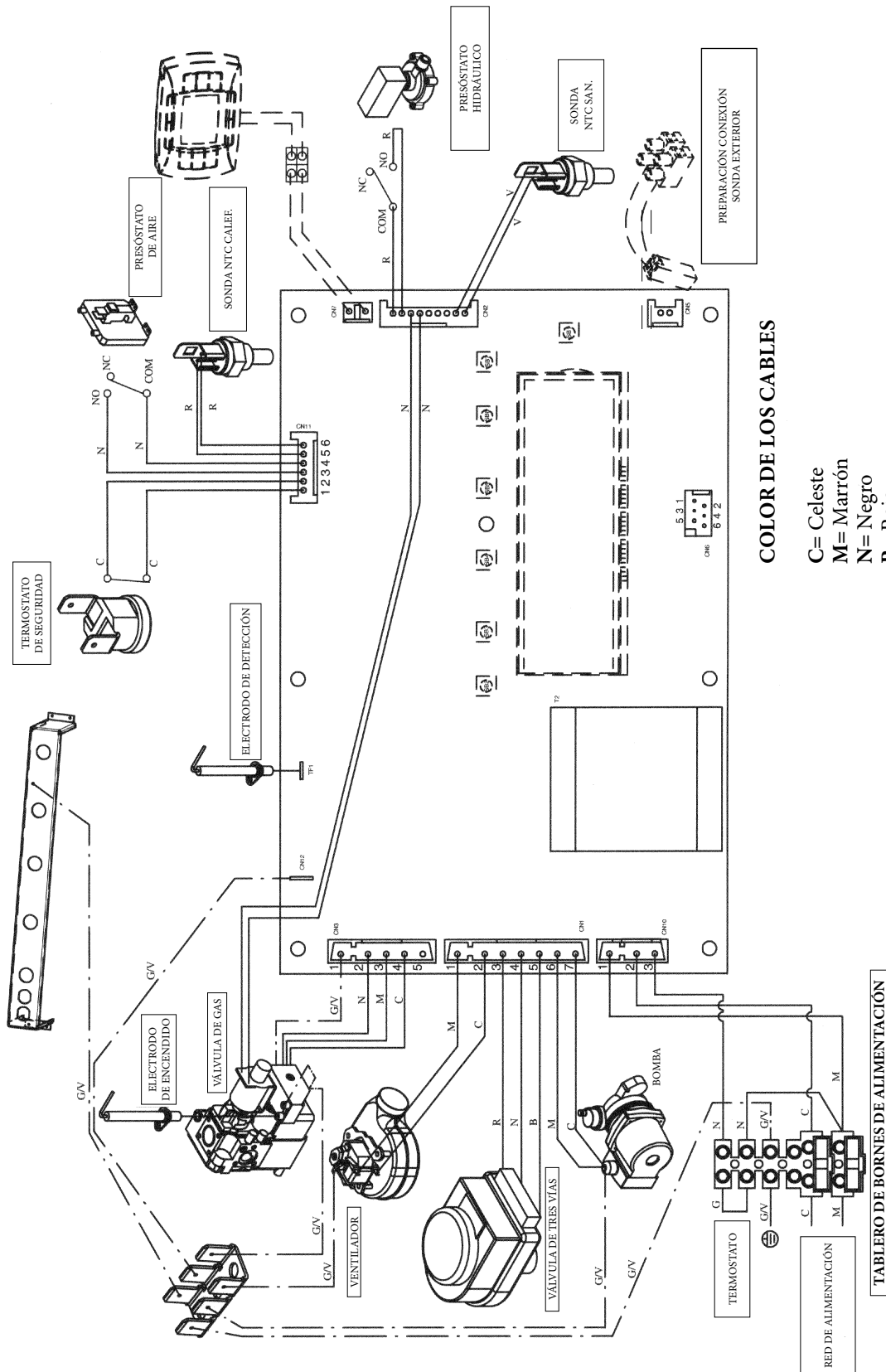


Figura 21

Leyenda:

- | | |
|------------------------------------|---|
| 1 calentador | 18 válvula de seguridad calefacción 3 bares |
| 2 sonda calentador | 19 presóstato diferencial hidráulico |
| 3 intercambiador sanitario | 20 válvula automática de purga aire |
| 4 depósito de expansión | 21 bomba con separador de aire |
| 5 grifo de descarga caldera | 22 válvula del gas |
| 6 sonda NTC calefacción | 23 filtro retorno calefacción |
| 7 termostato de seguridad | 24 by-pass automático |
| 8 electrodo de encendido | 25 grifo del gas |
| 9 intercambiador agua-humos | 26 manómetro |
| 10 canalizador de humos | 27 quemador |
| 11 toma de presión negativa | 28 válvula de tres vías |
| 12 toma de presión positiva | 29 motor válvula de tres vías |
| 13 unión concéntrica | 30 grifo de carga caldera |
| 14 presóstato de aire | 31 válvula de seguridad sanitario 8 bares |
| 15 ventilador | 32 grifo de descarga calentador |
| 16 electrodo de detección de llama | 33 regulador de flujo |
| 17 rampa gas con inyectores | 34 grifo de entrada agua |

071L_2306 / CG_1985



COLOR DE LOS CABLES

- C= Celeste
- M= Marrón
- N= Negro
- R= Rojo
- G/V= Amarillo/Verde
- B= Blanco
- V= Verde

34. CARACTERÍSTICAS TÉCNICAS

Caldera modelo BOYLER DIGIT		240/40 i	240/60 i	280/60 i	240/40 Fi	240/60 Fi	280/60 Fi
Categoría		II _{2H3+}	II _{2H3+}	II _{2H3+}	II _{2H3+}	II _{2H3+}	II _{2H3+}
Caudal térmico nominal	kW	27,1	27,1	31,1	26,3	26,3	30,1
Caudal térmico reducido	kW	11,9	11,9	11,9	11,9	11,9	11,9
Potencia térmica nominal	kW	24,4	24,4	28	24,4	24,4	28
	kcal/h	21.000	21.000	24.080	21.000	21.000	24.080
Potencia térmica reducida	kW	10,4	10,4	10,4	10,4	10,4	10,4
	kcal/h	8.900	8.900	8.900	8.900	8.900	8.900
Rendimiento según la directiva 92/42/CEE	-	★★	★★	★★	★★★	★★★	★★★
Presión máxima agua circuito térmico	bar	3	3	3	3	3	3
Capacidad depósito de expansión	l	7,5	7,5	7,5	7,5	7,5	7,5
Capacidad acumulación tetera	l	40	60	60	40	60	60
Presión del depósito de expansión	bar	0,5	0,5	0,5	0,5	0,5	0,5
Producción agua sanitaria en descarga $\Delta T=30^{\circ}\text{C}$	l/30min	350	390	450	350	390	450
Presión máxima agua circuito sanitario	bar	8	8	8	8	8	8
Producción agua sanitaria con $\Delta T=25^{\circ}\text{C}$	l/min	14	14	16,1	14	14	16,1
Producción agua sanitaria con $\Delta T=35^{\circ}\text{C}$	l/min	10	10	11,5	10	10	11,5
Caudal específico (*)	l/min	14,5	18,2	19	14,5	18,2	19
Tipo	-	B _{11BS}	B _{11BS}	C12 - C32 - C42 - C52 - C82 - B22			
Diámetro conducto de descarga concéntrico	mm	-	-	-	60	60	60
Diámetro conducto de aspiración concéntrico	mm	-	-	-	100	100	100
Diámetro conducto de descarga desdoblado	mm	-	-	-	80	80	80
Diámetro conducto de aspiración desdoblado	mm	-	-	-	80	80	80
Diámetro conducto de descarga	mm	140	140	140	-	-	-
Caudal máxico humos máx.	kg/s	0,022	0,022	0,024	0,022	0,018	0,018
Caudal máxico humos mín.	kg/s	0,021	0,021	0,021	0,019	0,017	0,018
Temperatura humos máx.	$^{\circ}\text{C}$	110	110	115	134	134	142
Temperatura humos mín.	$^{\circ}\text{C}$	82	82	82	108	108	108
Clase NOx	-	3	3	3	3	3	3
Tipo de gas	-	G20	G20	G20	G20	G20	G20
	-	G30-G31	G30-G31	G30-G31	G30-G31	G30-G31	G30-G31
Presión de alimentación gas metano G20	mbar	20	20	20	20	20	20
Presión de alimentación gas butano G30	mbar	28-30	28-30	28-30	28-30	28-30	28-30
Presión de alimentación gas propano G31	mbar	37	37	37	37	37	37
Tensión de alimentación eléctrica	V	230	230	230	230	230	230
Frecuencia de alimentación eléctrica	Hz	50	50	50	50	50	50
Potencia eléctrica nominal	W	110	110	110	190	190	190
Peso neto	kg	60	60	60	70	70	70
Dimensiones	alto	mm	950	950	950	950	950
	ancho	mm	600	600	600	600	600
	profundidad	mm	466	466	466	466	466
Grado de protección contra la humedad y la penetración del agua (**)	-	IP X5D	IP X5D	IP X5D	IP X5D	IP X5D	IP X5D

(*) según EN 625

(**) según EN 60529

WESTEN, en su constante acción para mejorar los productos, se reserva la posibilidad de modificar los datos indicados en esta documentación en cualquier momento y sin aviso previo. Esta documentación es un soporte informativo y no se puede considerar como un contrato con terceros.