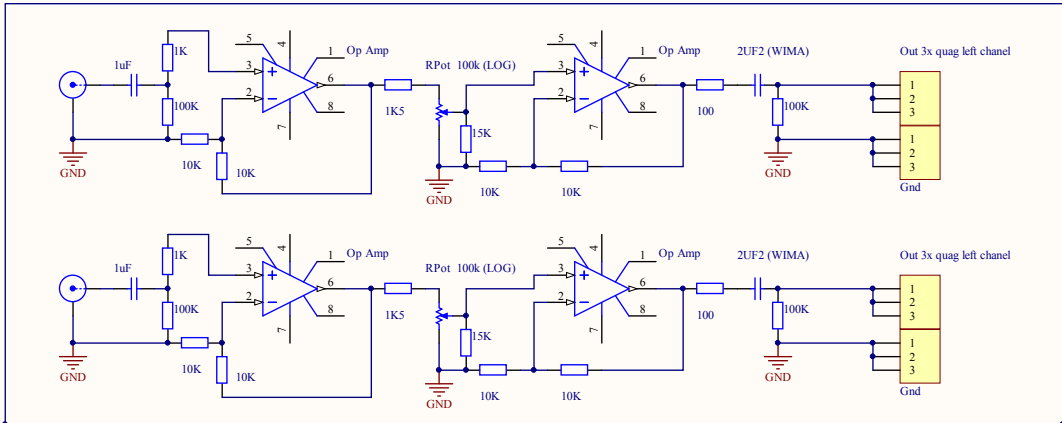


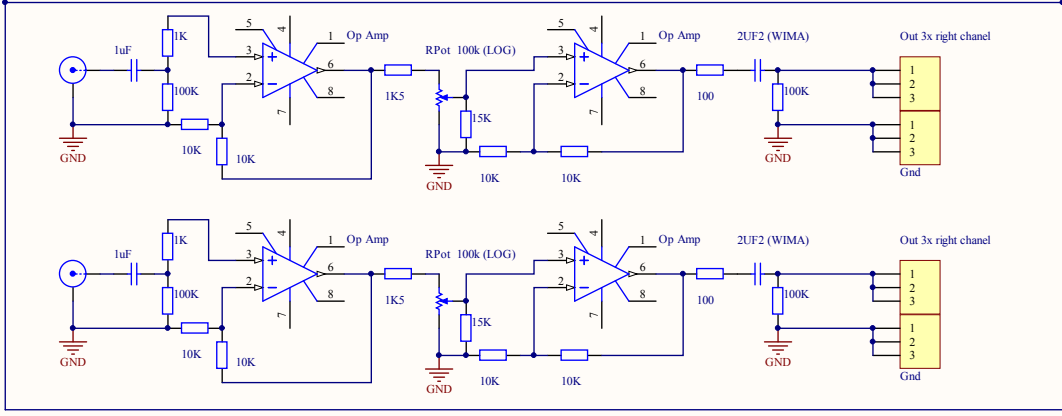
A

A



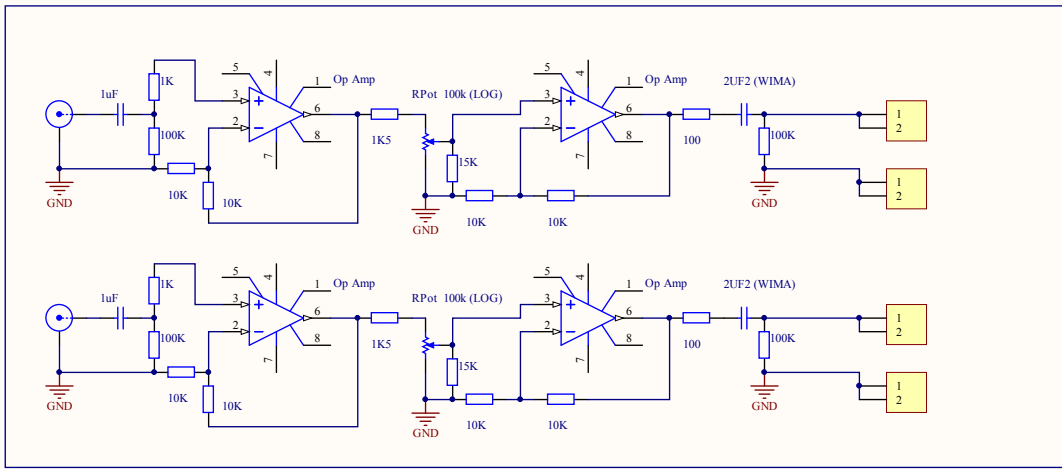
B

B



C

C



D

D

Title		
Size	Number	Revision
A3		
Date:	2011.12.30	Sheet of
File:	Sheet3.SchDoc	Drawn By:

Comment	Description	Designator	Footprint	LibRef	Quantity
	Resistor		AXIAL-0.4	Res2	60
	Header, 2-Pin, Right Angle		HDR1X2H	Header 2H	4
	Capacitor		RAD-0.3	Cap	12
	SMB Straight Connector		SMB_V-RJ45	SMB	6
Gnd	Header, 3-Pin		HDR1X3	Header 3	4
Op Amp	FET Operational Amplifier		H-08A	Op Amp	12
RPot 100k (LOG)	Square Trimming Potentiometer		POT4MM-2	RPot SM	6
	Header, 3-Pin	Out 3x quag left chanel, O	HDR1X3	Header 3	4