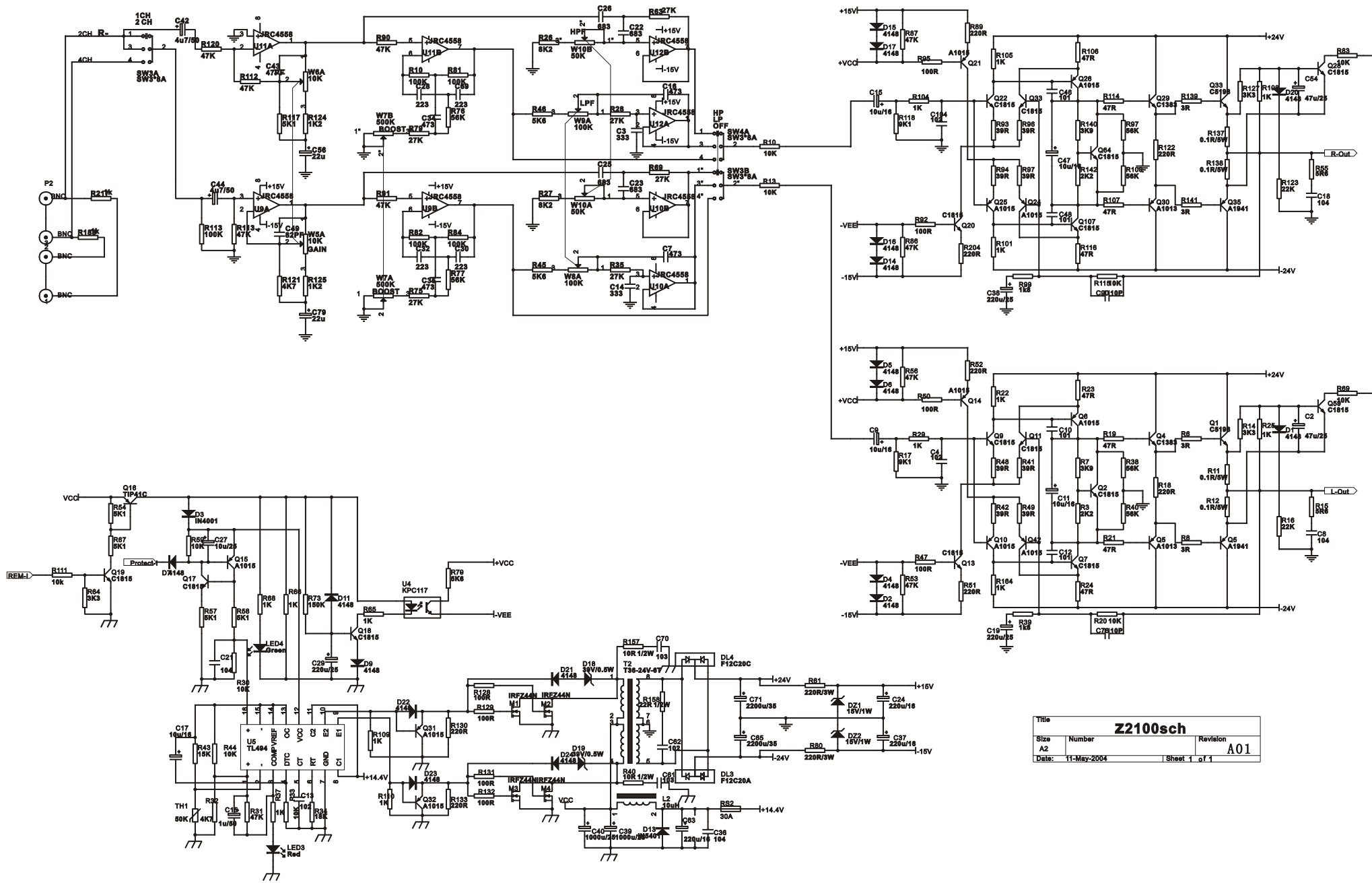
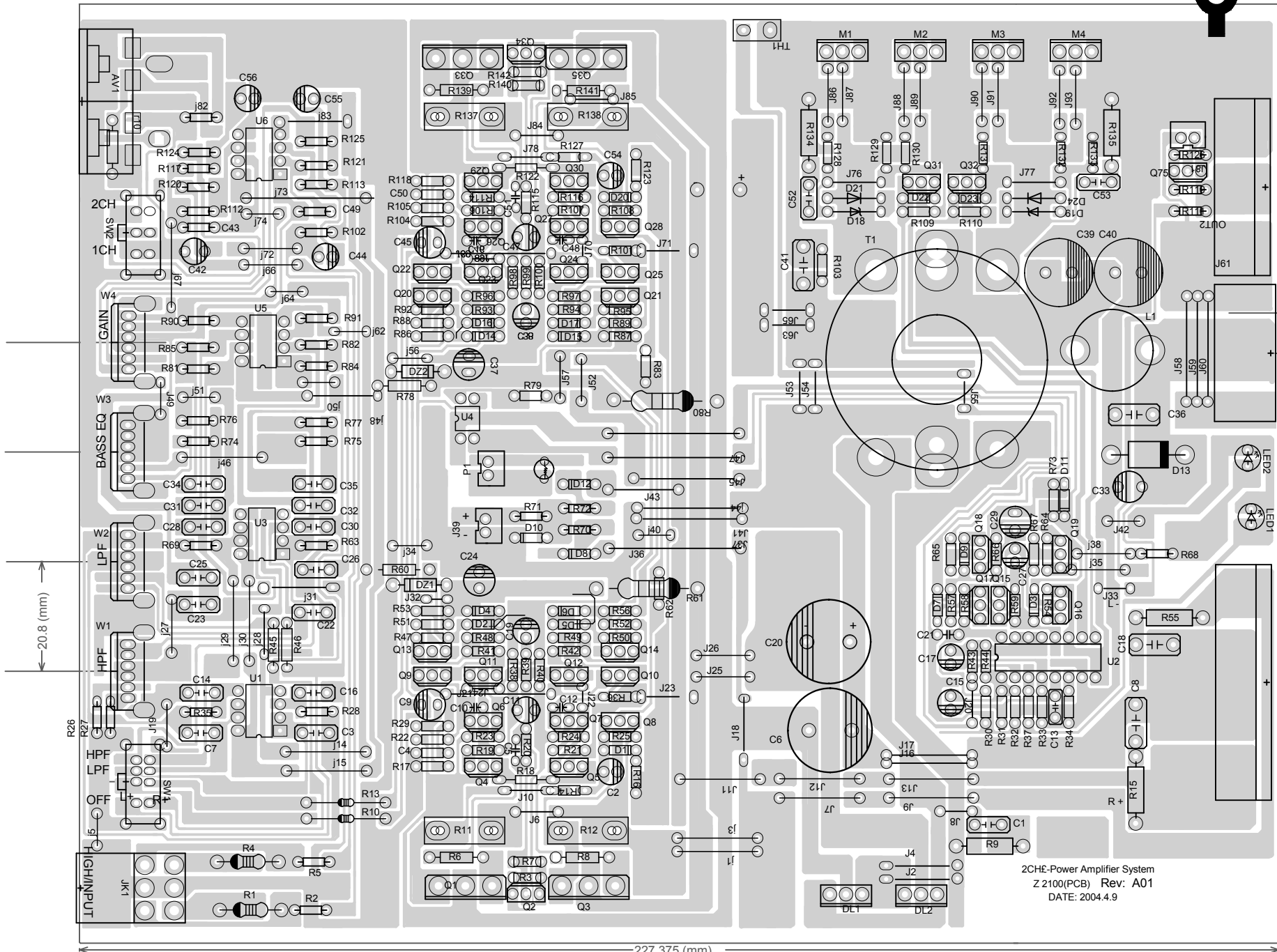




Z 2100



Title			
Z2100sch		Revision	A01
Size	Number		
A2			
Date:	11-May-2004	Sheet	1 of 1



2CH-E Power Amplifier System
 Z 2100(PCB) Rev: A01
 DATE: 2004.4.9

227.375 (mm)

11.000003 (mm)

OUT1

20.8 (mm)

Spare part list

Product Name: Car Amplifier

Model No:Z2100

Brand Name :

Serial number	Types	Description of components	Comment	Quantity	Unit	Components
001	PCB	PCB	GA174.230.2	□	□	SAGA2004.Z2100:PCB-A01
002	Safety components	Coils	Φ36	1	PCS	SAGA2004.GA174.230.2:CH-A01
		Inductance	Φ10	1	PCS	End Up Fomula
		Fuse	15A	2	PCS	
		Fuse Holder	TWO ways (thiner)	1	PCS	Endure High Temperture ,Commonly Pattern
003	IC	IC	JRC4558	4	PCS	U1, U3, U5, U6
			PC817	1	PCS	U4
			TL494	1	PCS	U2
004	Transistor	Triodes	A1013	3	PCS	Q5, Q16, Q30
			C2383	2	PCS	Q4, Q29
			A1015	11	PCS	Q6, Q10, Q12, Q14, Q15, Q21,Q24, Q25, Q26, Q31, Q32
			C1815	15	PCS	Q2, Q7, Q8, Q9, Q11, Q13, Q17,Q18, Q19, Q20, Q22, Q23, Q27, Q28, Q34
			A1941	2	PCS	Q3, Q35
			C5198	2	PCS	Q1, Q33
			Voltage Stabilizing Diodes	15V/1W	2	PCS
			39V/0.5W	2	PCS	D18, D19
		Schottky Barrier Rectifier	F12C20A	1	PCS	DL2
			F12C20C	1	PCS	DL1
		Switch Diodes	IN4148	18	PCS	D1, D2, D4, D5, D6, D7, D9,D11, D12, D14, D15, D16, D17, D20, D21,D22, D23,D24
		Rectifier Diodes	IN4001	1	PCS	D3
			IN5401	1	PCS	D13
		MOSFET	IRFZ44N	4	PCS	M1, M2, M3, M4
		LED	Φ3 RED	1	PCS	LED1, LED2
Φ3 GREEN	1		PCS			

Spare part list

Product Name: Car Amplifier

Model No:Z2100

Brand Name :

Serial number	Types	Description of components	Comment	Quantity	Unit	Components
005	Resistors	Thermal Resistors	RTH-50K	1	PCS	CARRY METAL "Y"
		RTX-5W-0.1R	4	PCS	R11, R12, R137, R138	
		RTX-2W-220R	2	PCS	R61, R80	
		RTX-1/2W-5R6	2	PCS	R2,R3	
		RTX-1/2W-10R	2	PCS	R134, R135	
		RTX-1/2W-22R	1	PCS	R9	
		RTX-1/4W-3R	4	PCS	R6, R8, R139, R141	
		RTX-1/4W-10R	2	PCS	R56,R57	
		RTX-1/8W-39Ω	8	PCS	R41, R42, R48, R49, R93, R94, R96, R97	
		RTX-1/8W-47Ω	8	PCS	R19, R21, R23, R24, R106, R107, R114, R116	
		RTX-1/8W-100Ω	8	PCS	R47, R50, R92, R95,R128, R130, R131, R132□	
		RTX-1/8W-220Ω	8	PCS	R18, R51, R52, R88, R89,R122,R129, R133	
		RTX-1/8W-1KΩ	17	PCS	R22, R25, R29, R36, R37, R65,R66, R68, R71, R101, R103, R104, R105, R108, R109, R110, R119	
		RTX-1/8W-1.2KΩ	2	PCS	R124, R125	
		RTX-1/8W-1.8KΩ	2	PCS	R39, R99	
		RTX-1/8W-2.2KΩ	2	PCS	R3, R142	
		RTX-1/8W-3.3KΩ	3	PCS	R14, R64, R127	
		RTX-1/8W-3.9KΩ	2	PCS	R7, R140	
		RTX-1/8W-4.7KΩ	2	PCS	R32, R121	
		RTX-1/8W-5.1KΩ	5	PCS	R54, R57, R58, R67, R117	
		RTX-1/8W-5.6KΩ	3	PCS	R45, R46,R79	
		RTX-1/8W-8.2KΩ	2	PCS	R26, R27	
		RTX-1/8W-9.1KΩ	2	PCS	R17, R118	
		RTX-1/8W-10KΩ	11	PCS	R20, R30, R33, R44, R59, R62,R83, R111, R115, R126,R251□	
		RTX-1/8W-15KΩ	1	PCS	R43	
		RTX-1/8W-18KΩ	1	PCS	R34	
		RTX-1/8W-22KΩ	2	PCS	R16, R123	
		RTX-1/8W-27KΩ	6	PCS	R28, R35, R63, R69, R74, R75	
		RTX-1/8W-47KΩ	10	PCS	R31, R53, R56, R86, R87, R90,	
		RTX-1/8W-56KΩ	6	PCS	R38, R40, R76, R77, R98, R100	
RTX-1/8W-100KΩ	5	PCS	R81, R82, R84, R85, R102			
RTX-1/8W-150KΩ	1	PCS	R73			

spare part list

Product Name: Car Amplifier

Model No:Z2100

Brand Name :

Serial number	Types	Description of components	Comment	Quantity	Unit	Components
005	Resistors	Trimmers	1710-15-axis-C20KΩX2	1	PCS	W4
			1710-15-axis-C50KΩX2	1	PCS	W2
			1710-15-axis-C10KΩX2	1	PCS	W1
			1710-15-axis-C500KΩX2	1	PCS	W3
006	capacitors	Ceramic Capacitors	CCX-63V-47P	1	PCS	C43
			CCX-63V-82P	1	PCS	C49
			CCX-63V-10P	2	PCS	C5,C51
			CCX-63V-101		PCS	C4,C10, C12, C46, C48,C50
			CCX-63V-104	1	PCS	C21
		Polyester Capacitors	CL-100V-102	2	PCS	C1,C13
			CL-100V-103	2	PCS	C52, C53
			CL-100V-104	4	PCS	C8, C18, C36, C41
			CL-100V-223	4	PCS	C28, C30, C31, C32
			CL-100V-333	2	PCS	C14, C16
			CL-100V-473	4	PCS	C3, C7, C34, C35
			CL-100V-683	4	PCS	C22, C23, C25, C2
		Electrolytic capacitors	CD11-50V-1uF 85□	1	PCS	C15
			CD11-50V-4u7F 85□	2	PCS	C42, C44
			CD11-16V-10uF 85□	5	PCS	C9, C45, C11, C27, C47
			CD11-16V-22uF 85□	2	PCS	C55, C5
			CD11-16V-47uF 85□	2	PCS	C2, C54
			CD11-16V-100uF 85□	1	PCS	C17
			CD11-16V-220uF 85□	5	PCS	C19, C38, C24, C33, C37
			CD11-16V-330uF 85□	1	PCS	C29
CD11-25V-1000uF 105□	2	PCS	C39,C40			
CD11-35V-2200uF 105□	2	PCS	C6, C20			
007	Connecting ine	J line(Φ0.65mm)	4mm	3	PCS	
			6mm	15	PCS	
			7mm	1	PCS	
			8mm	14	PCS	
			10mm	15	PCS	
			12mm	4	PCS	
			13mm	1	PCS	
			15mm	12	PCS	
			16mm	5	PCS	
			20mm	8	PCS	
		25mm	3	PCS		
	wire		a suit of		SAGA2004.GA174.230.2:XC-A01	

Spare part list

Product Name: Car Amplifier

Model No: Z2100

Brand Name :

Serial number	Types	Description of components	Comment	Quantity	Unit	Components
008	Inserting components	RCA socket	A 4 7	1	PCS	Glassy Jacket ,Inversion Pick Up Mold
		Terminals	more Three way	1	PCS	
			Four way	1	PCS	
		Direct-Pulling Switch	SK22H03G12	1	PCS	
			S 23D25 12	1	PCS	
009	Hardware	Aluminum Covering Plate		1	PCS	L=230mm Silver White (L=228mm)
		Front Panel	Z2100	1	PCS	
		Rear Panel	Z2100	1	PCS	
		Both Sides Raditor	Alumium material	2	PCS	
		Decoration Items	$\delta=2$ Aluminum piece	2	PCS	
		Iron Panel	$\delta=2$ Cool Panel	1	PCS	
		Bottom Panel	Alumium material	1	PCS	
		Fit Iron Press Plate	32 20 2mm	2	PCS	
			27 20 2mm	2	PCS	
		Screw	CAH3X4	10	PCS	
			CAH3X8	3	PCS	
			CMH4X6	10	PCS	
			CAH3X8		PCS	
			PA3X4	2	PCS	
		Meson	$\Phi 3$	2	PCS	
		Flexibility Meson	$\Phi 3$	2	PCS	
010	Plastics	Polybag	70 70mm	1	PCS	
			300 3 0mm	1	PCS	
		Silicon Silk	210X27mm	2	PCS	
		Coils pad	$\Phi 36$	1	PCS	
		Switch sponge Pad		2	PCS	
011	Package	foam	a pair			
		Fuse	15A	2	PCS	
		Screw	A5 10	4	PCS	
		Meson	$\Phi 5$	4	PCS	
		Flexibility Meson	$\Phi 5$	4	PCS	
		User's Manual		1	PCS	
		Gift Box		1	PCS	
012	Accessories	brand		1	PCS	
		RCA Jacks Covering		4	PCS	
		Groundwire Solder Plate	$\Phi 5$	1	PCS	
		Tube		2	PCS	
		Glue				
		Tin		a few		