

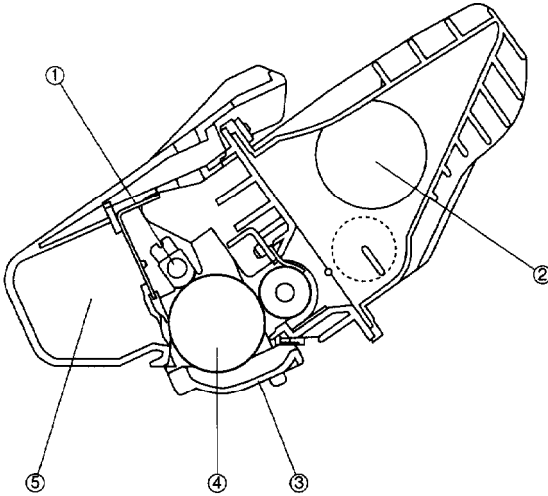
**V. ELECTROSTATIC IMAGING/DEVELOPING/CLEANING SYSTEM**

**A. EP-E Cartridge**

**1. Configuration**

The EP-E cartridge combines a photosensitive drum, primary charging roller, developing unit, and drum cleaning unit in a single housing. During printing the drum rotates and an invisible electrostatic latent image is formed on its surface and then developed into a visible image by toner.

The EP-E cartridge cannot be disassembled.



① Primary charging roller

② Developing unit

③ Protective shield

④ Photosensitive drum

⑤ Drum cleaning unit

**Figure 3-32**

**a. Protective shield**

The photosensitive drum is protected by a protective shield that prevents exposure to strong light. If the drum is exposed to strong light, blank areas or black streaks may appear on prints, so do not open the protective shield unless necessary. (The protective shield is automatically opened when the EP-E cartridge is inserted into the printer.)