

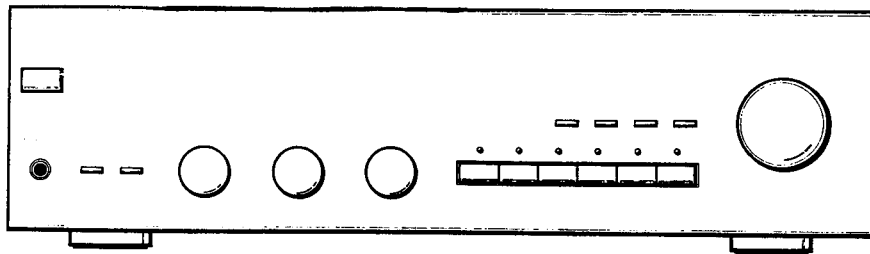
UHER

Erfasst
2003/4

SERVICE
MANUAL

UA - 50/80

STEREO AMPLIFIER



SPECIFICATIONS

Amplifier Section

- Continuous average power output (both channel driven)
1KHz(8 ohms, 0.08%) 55W + 55W(UA80)
35W + 35W(UA50)
- Total Harmonic Distortion
20–20,000Hz (8 ohms, 1/10 power) 0.05%
- Signal to Noise Ratio (IHF short circuited, A network)
Phono(5 mV input) 80 dB
Tuner,CD,Aux,Tape(500mV input) 90 dB
- Input(Sensitivity/Impedance)
Phono 2.5mV/47K ohms
Tuner, CD, AUX, Tape 150mV/47Kohms
- Phono overload(1kHz, 0.1%) 120mv

- output(Level/ Impedance)
Tape 1 Rec, Tape 2 Rec 150mV/1.5Kohms
- Frequency Response
Phono (RIAA equalization, ± 1.5dB)
..... 20–20,000 Hz
Tuner, CD, AUX, Tape(–3dB) 10–50,000Hz
- Tone Control
Bass (100Hz) ± 10dB
Treble (10kHz) ± 10dB
- Filter
Subsonic 15Hz(6dB/oct)
High 6kHz(6dB/oct)
- Loudness Control
100Hz + 6dB
10kHz + 3dB
- Headphone Output(8ohms, 1W output)
..... 67mV/8ohms
- Speakers
A or B 8ohms
A and B 16ohms

Miscellaneous

- Power Requirvments AC220V/50Hz
- Power Consumption 230W(UA80)
150W(UA50)
- Dimensions 420(W) × 110(H) × 250(D)mm
- Weight(without package)
..... 5.7Kg(UA80)
5.1Kg(UA50)

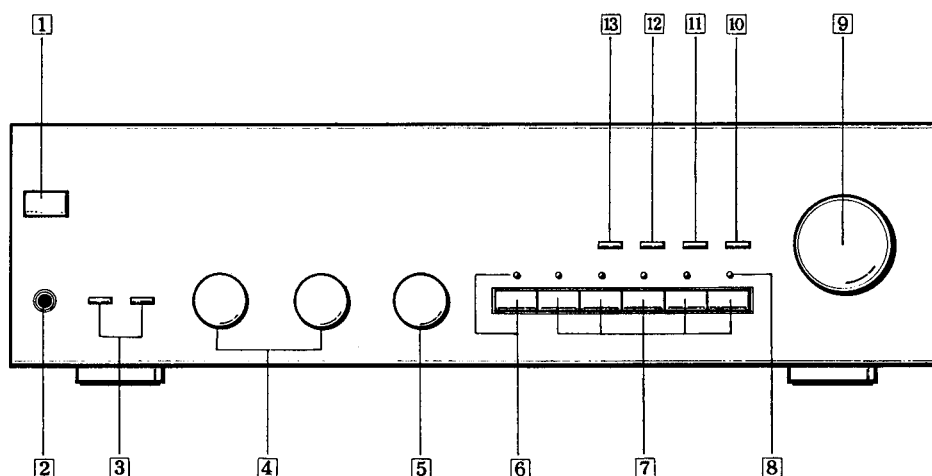
Furnished Parts

- Operating Instructions 1

Note :

- Specifications and design subject to possible modification without notice due to improvements.

FRONT PANEL FEATURES



1 POWER SWITCH

Press to on position to turn on the pre-amplifier. Upon power up, a muting circuit presents a short delay in order to suppress the sometimes annoying sound present at switch-on.

2 HEADPHONE JACK

Plug headphones into this jack when you want to listen through your stereo headphones.

Be sure to turn down the volume level before plugging in the headphones. Turn up the volume level to a comfortable listening level once the headphones are adjusted.

3 SPEAKERS A, B SELECTOR SWITCHES

Use this switch to listen to the speaker systems connected to the SPEAKERS A or B terminals.

NOTE :

When the speaker system is connected to only speaker terminal(A or B) and both A and B selector switches are ON, there will be no sound.

Turn ON only the selector to which the speaker system is connected.

4 BASS AND TREBLE CONTROLS

Use these controls to adjust the bass and the treble, If you turn the bass control clockwise from its center position, you will be able to emphasize the sound in the low-frequency range. Conversely, turning the bass control counter clockwise from the center position, you will attenuate the sound.

Use the treble control to adjust the sound in the high-frequency range in the same manner.

5 BALANCE CONTROL

Use this control to balance the volume of the left and right channels.

6 ADAPTOR / TAPE 2 SWITCH / INDICATOR

Use when there is an adaptor component (graphic equalizer, etc.) or tape deck connected to the ADAPTOR/TAPE 2 terminals.

7 FUNCTION SELECTOR

Use this selector to select the program source. When set, the function indicator above the panel corresponding to the position of the function selector will light up.
 DAT/TAPE 1 : Select when listening to Playback from DAT or tape deck.

AUX/VIDEO ; Select when listening to a program source which is connected to the AUX/VIDEO jacks.

CD : Select when you wish to listen to a compact Disc Player.

TUNER : Select when listening to radio broadcasts from the tuner.

PHONE : Select when playing a record on the corresponding turntable.

8 FUNCTION INDICATORS

The DAT/TAPE 1, AUX/VIDEO, CD, TUNER,PHONE function indicators light up in accordance with the position of the function selector.

9] VOLUME CONTROL

Use this control to adjust the output level to the speakers and headphones. Turn it clock wise to increase the output level. No sound will be heard if you set it to "0"

10] LOUDNESS SWITCH

This compensates for human hearing characteristics by boosting the bass and treble response at low volume listening levels to achieve a more pleasing tone balance.

11] HIGH FILTER SWITCH

When depressed, the high Filter(6kHz Cut-off) reduces high frequency noise or noise from scratches on records being played.

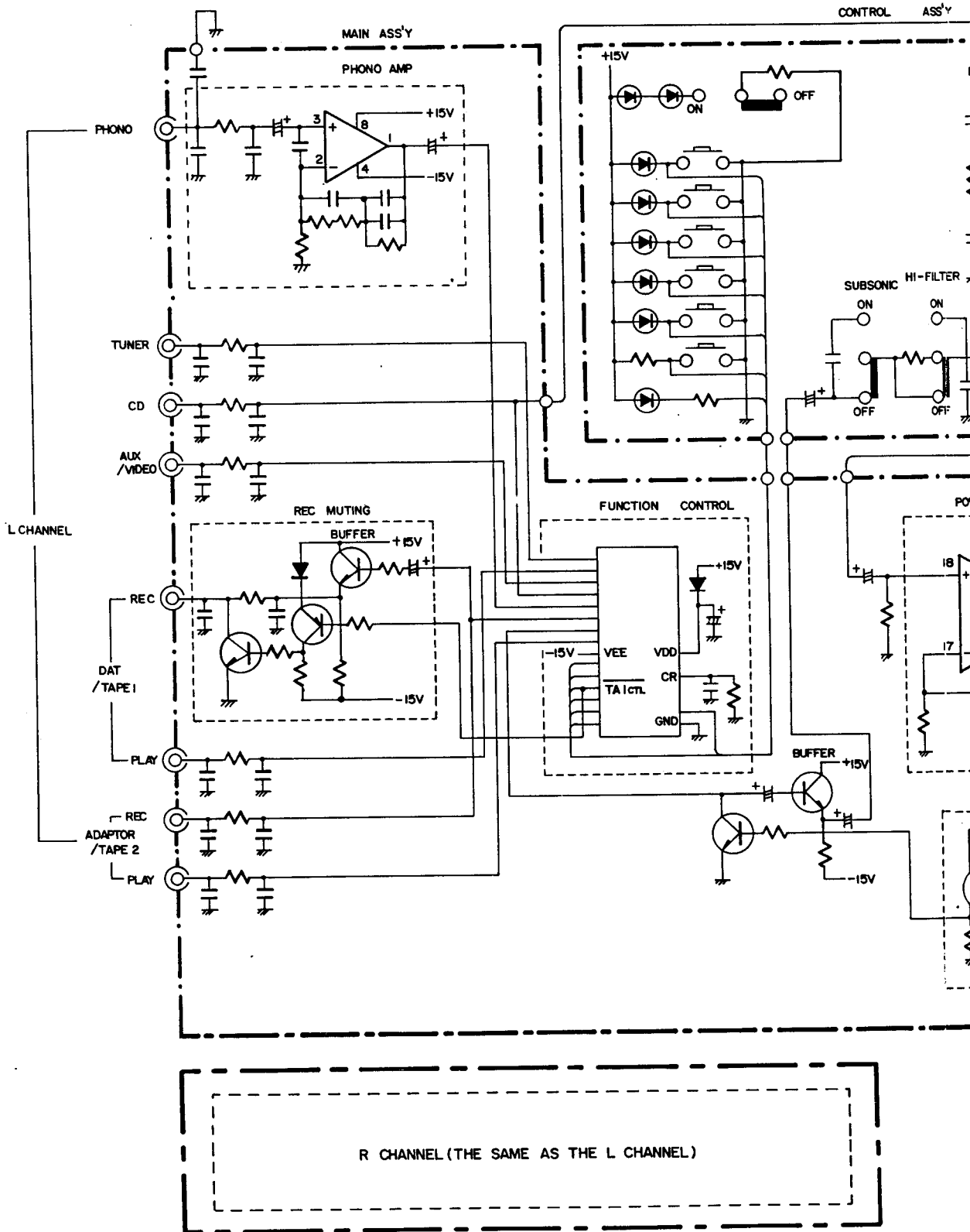
12] SUBSONIC FILTER SWITCH

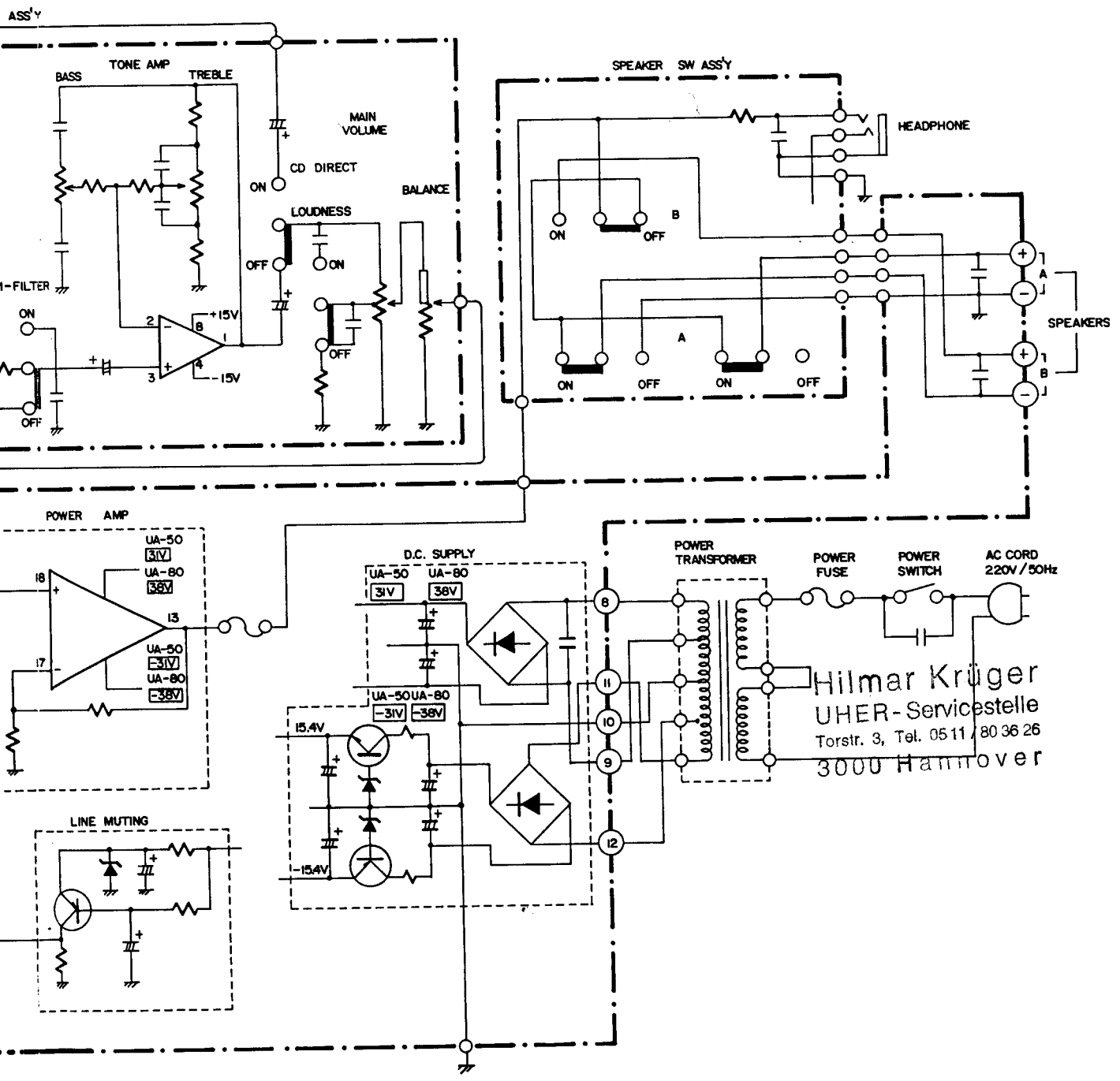
When depressed, the subsonic filter(15Hz cut-off) reduces turntable rumble, record warp noise and other ultra low frequency noise.

13] CD DIRECT SWITCH

When depressed, select the CD function.
When set to ON the tone control circuits are disengaged and frequency response is flat.

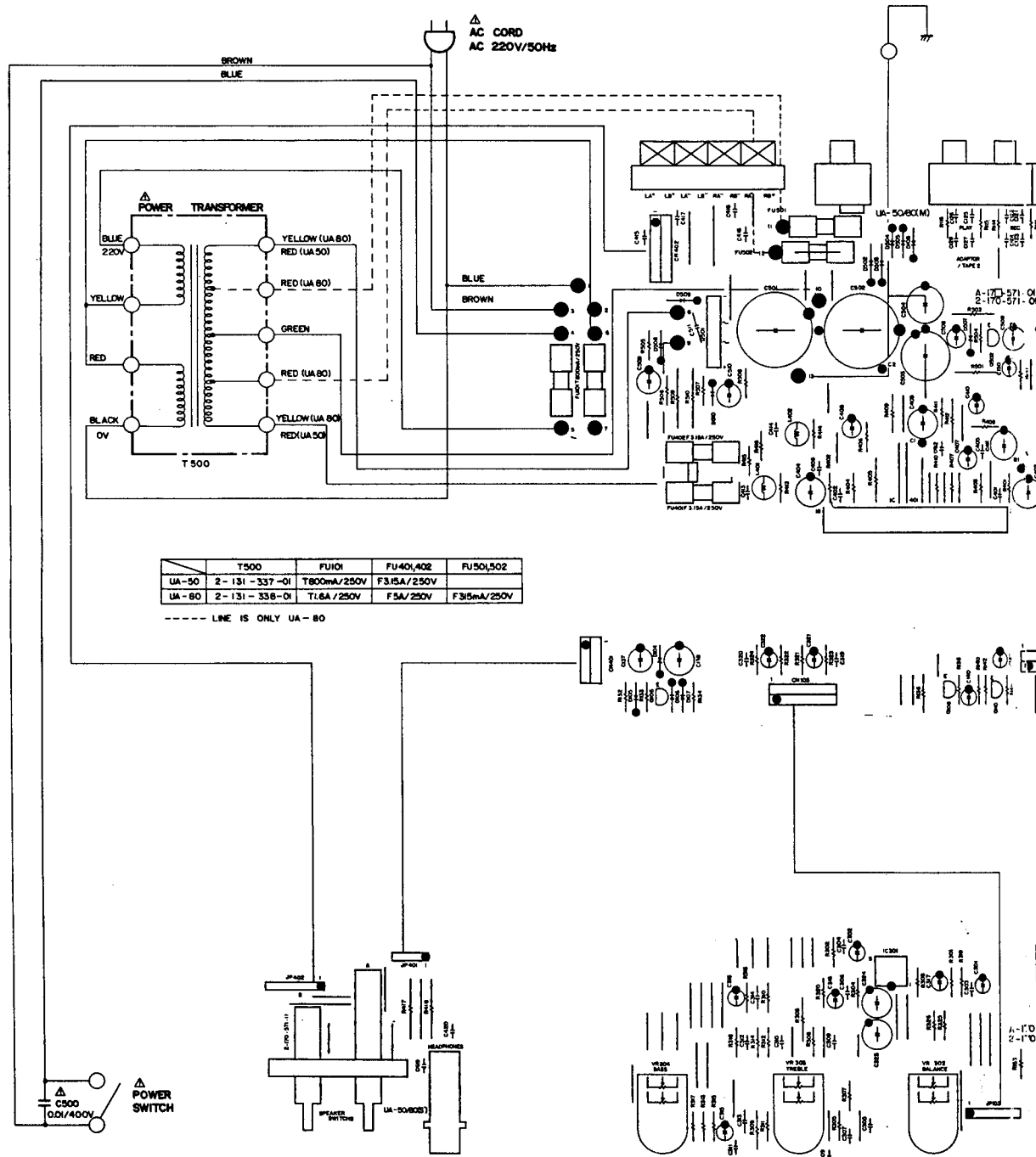
BLOCK DIAGRAM





Hilmar Krüger
 UHER-Servicestelle
 Torstr. 3, Tel. 05 11 / 80 36 26
 3000 Hannover

WIRING DIAGRAM

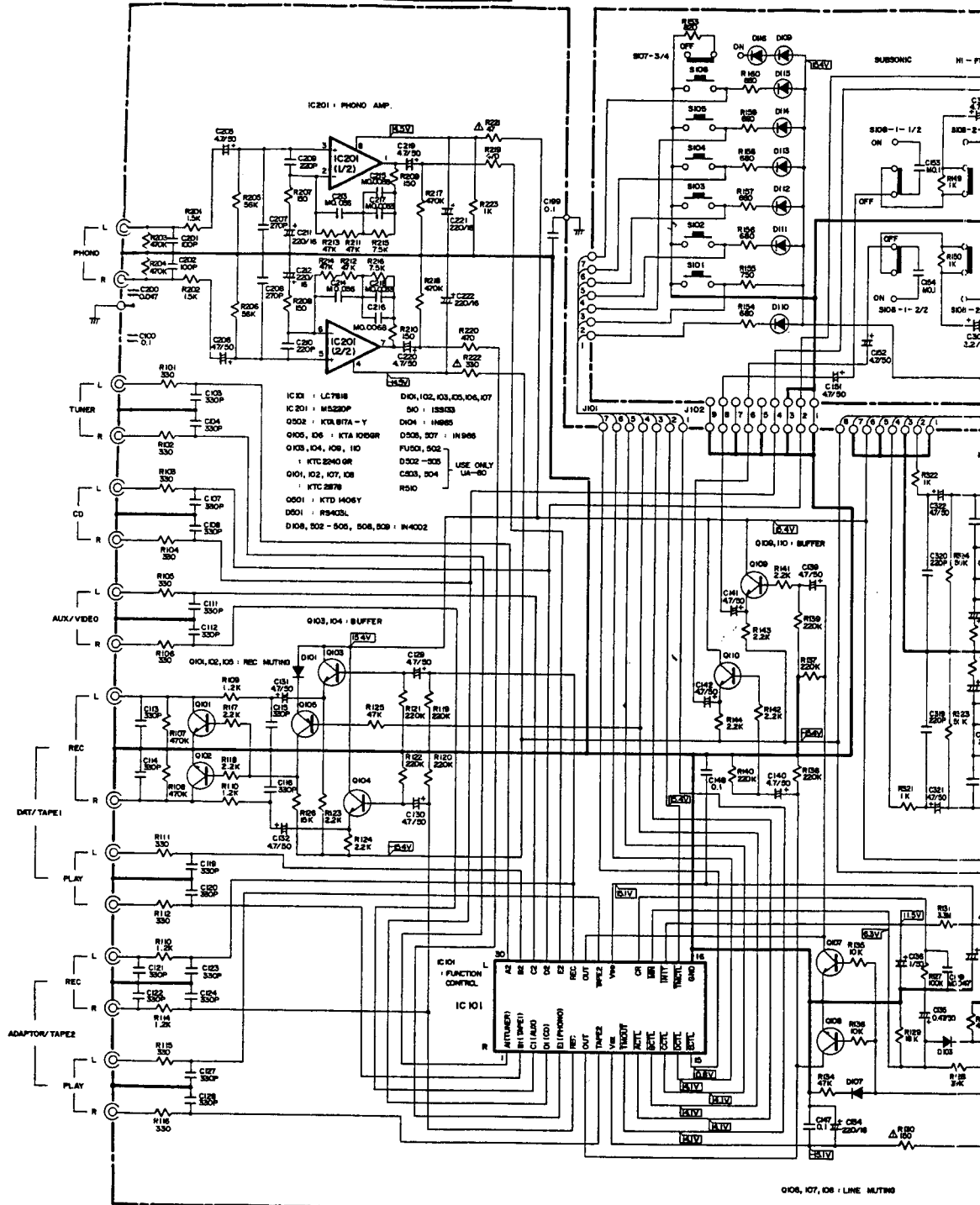


SCHEMATIC DIAGRAM

MAIN ASS'Y

UA-50 A-170-571-C1
UA-80 A-17A-571-C1

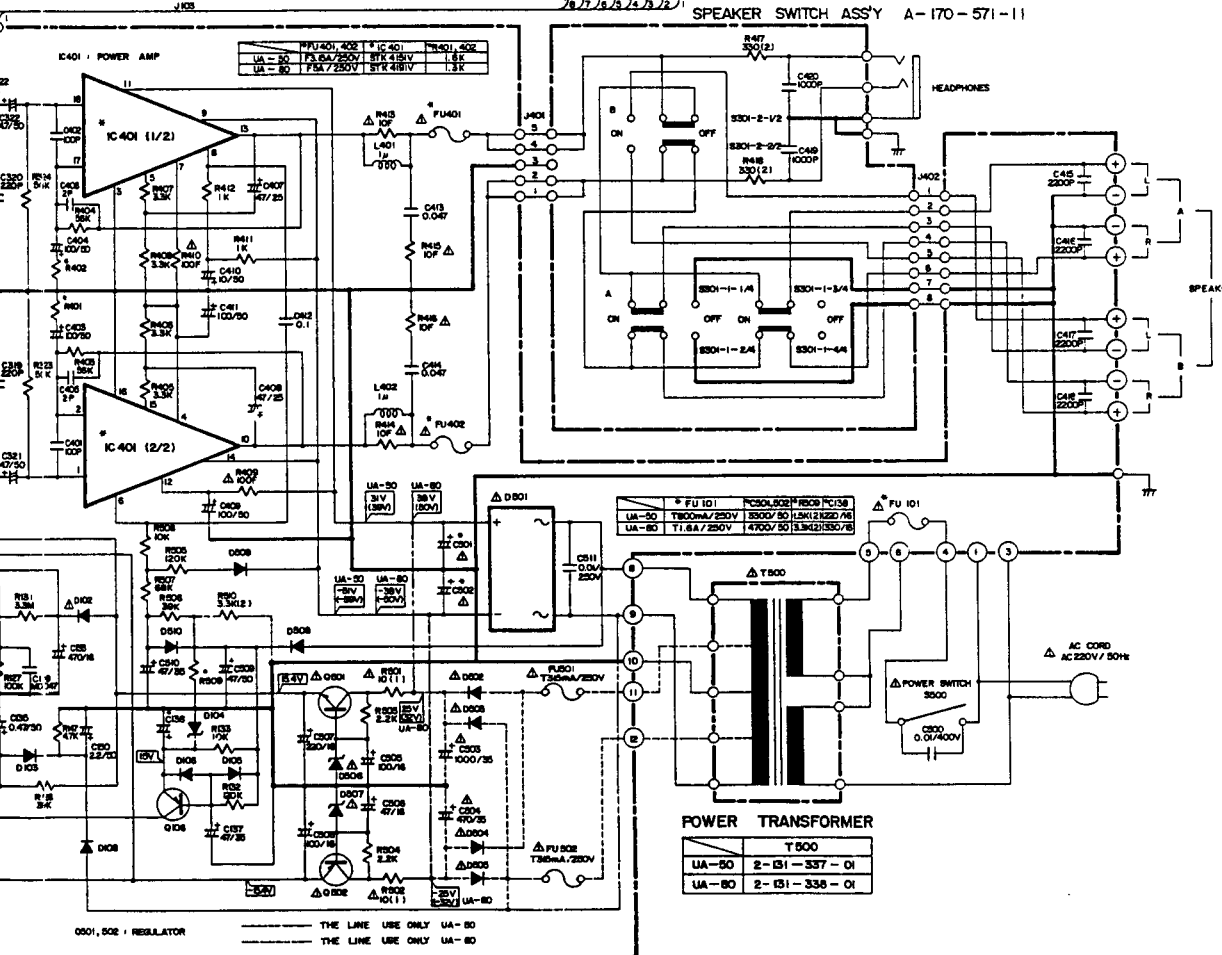
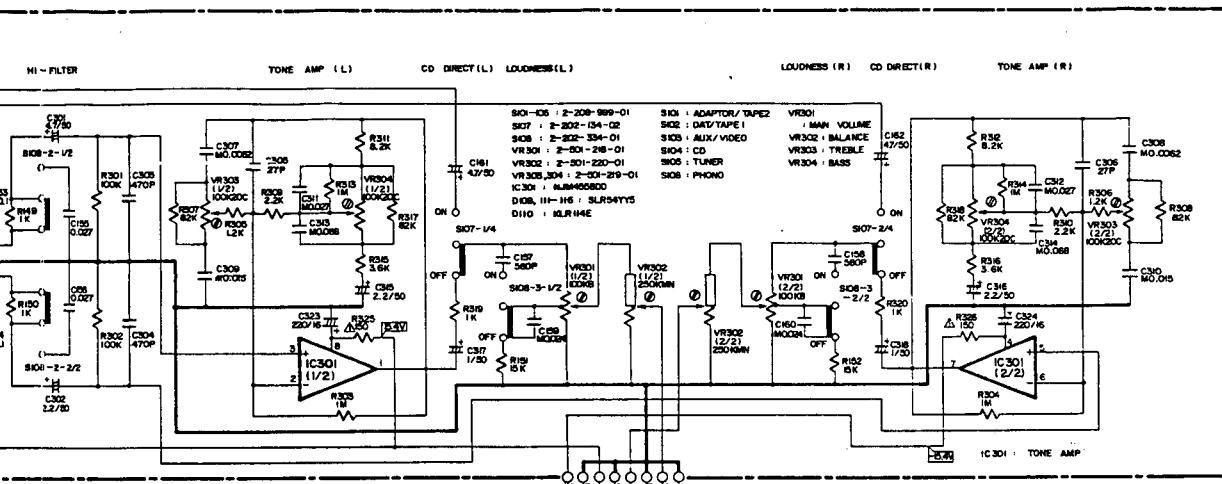
CONT



1. RESISTOR
INDICATED IN Δ, 1/4W, 1/2W AND 1/8W, ±5% TOLERANCE UNLESS OTHERWISE NOTED. K = 10%, M = 1%, (B) = ±2%, (K) = ±10%, (J) = ±5% TOLERANCE.
2. CAPACITORS
INDICATED BY CAPACITY (μF) / VOLTAGE (V) UNLESS OTHERWISE NOTED. P = P.F. INDICATION WITHOUT VOLTAGE IS BOV EXCEPT ELECTROLYTIC CAPACITOR.

3. VOLTAGE, CURRENT
DC VOLTAGE (V) AT RATED POWER.
VALUE IN () IS DC VOLTAGE AT NO INPUT SIGNAL.
4. OTHERS
⊙ ADJUSTING POINT.
THE Δ MARK FOUND ON SOME COMPONENT PARTS INDICATES THE IMPORTANCE OF THE SAFETY FACTOR OF THE PART. THEREFORE, WHEN REPLACING, BE SURE TO USE PARTS OF IDENTICAL DESIGNATION.

CONTROL ASS'Y A-170-572-01



* MARKED CAPACITORS AND RESISTORS HAVE PART NUMBERS.

THIS IS THE BASIC SCHEMATIC DIAGRAM, BUT THE ACTUAL CIRCUIT MAY VARY DUE TO IMPROVEMENTS IN DESIGN.

EXPLODED VIEW

