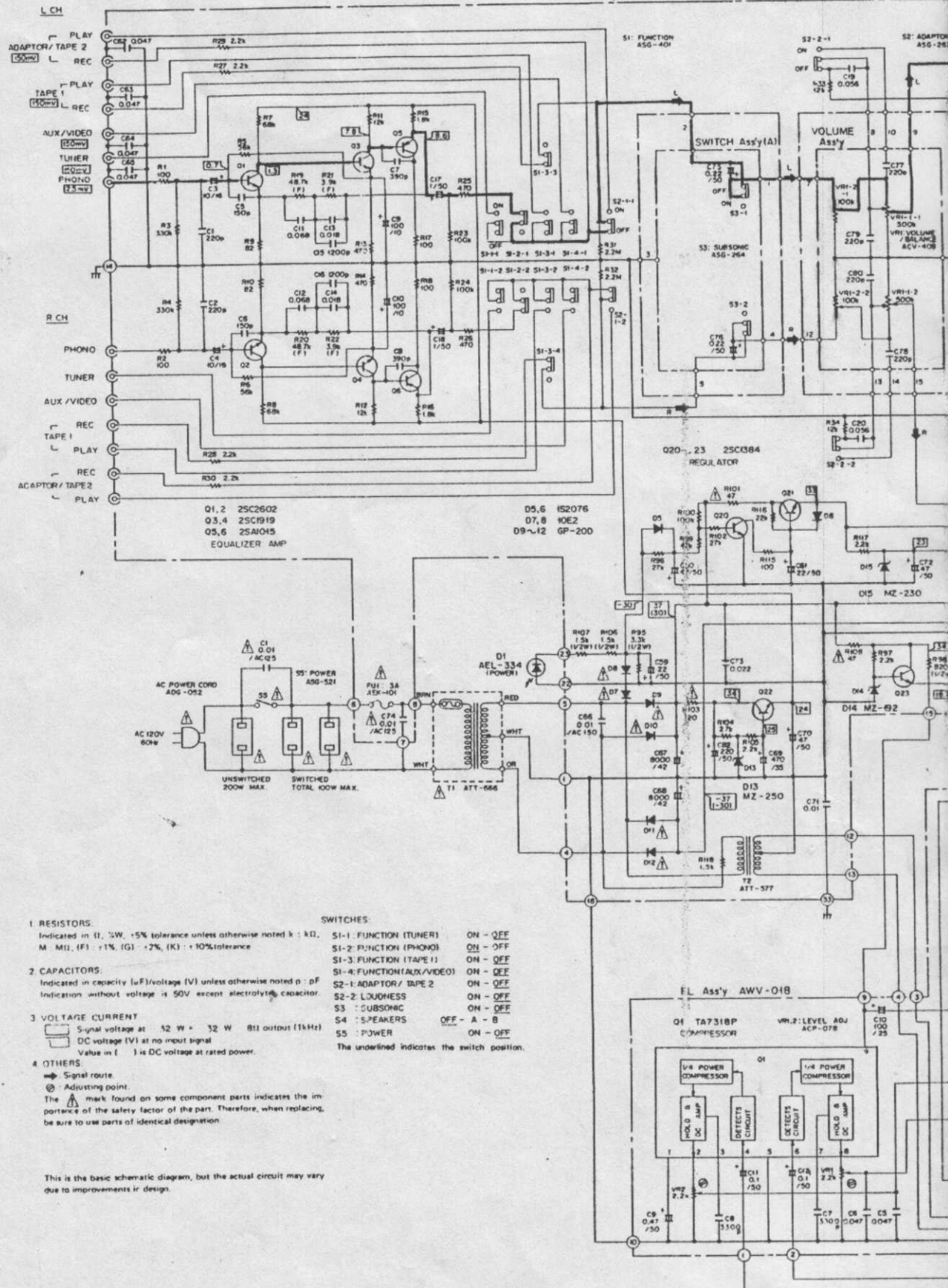


7. SCHEMATIC DIAGRAM



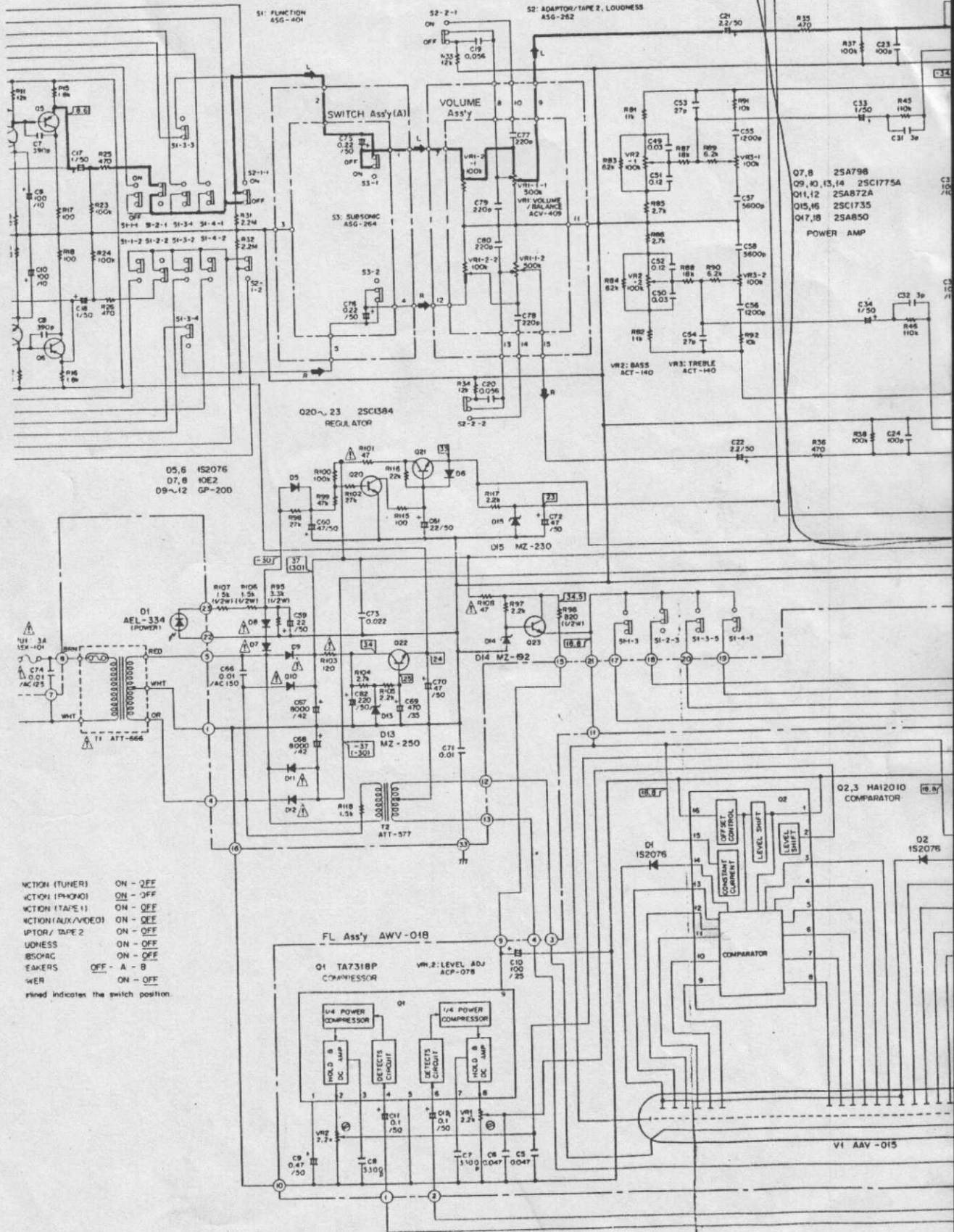
IAM

2

3

4

AF Ass'y GWK-170



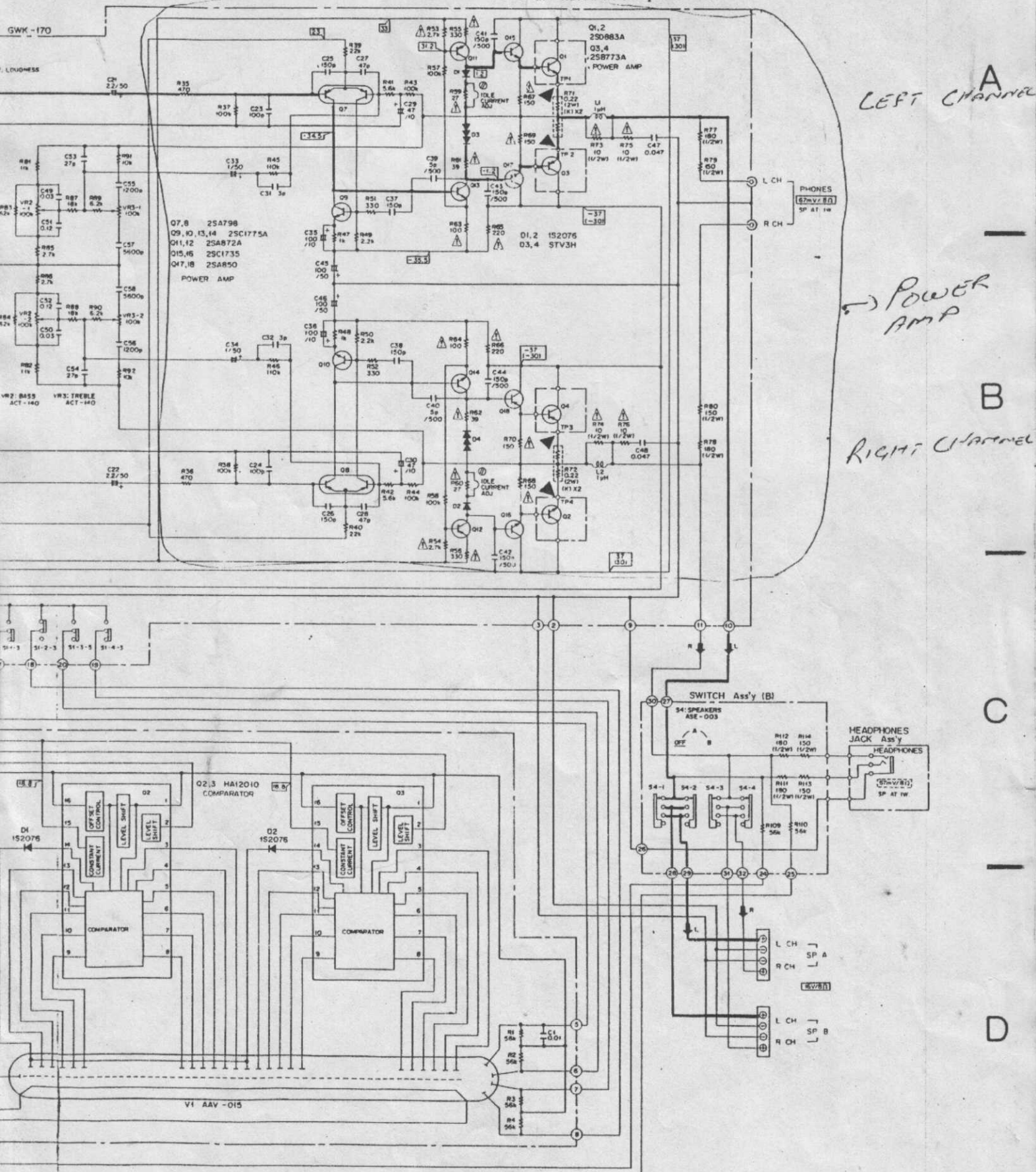
- FUNCTION (TUNER) ON - QEE
 - FUNCTION (PACKING) ON - OFF
 - FUNCTION (TAPE 1) ON - QEE
 - FUNCTION (AUX/VIDEO) ON - QEE
 - FUNCTION (TAPE 2) ON - OFF
 - LOUDNESS ON - OFF
 - BASS ON - OFF
 - TREBLE OFF - A - B
 - POWER ON - OFF
- lined indicates the switch position.

2

3

4

NOTE: The indicated semiconductors are representative ones only. Other alternative semiconductors may be used and are listed in the parts list.



A
LEFT CHANNEL

POWER AMP

B
RIGHT CHANNEL

C

D