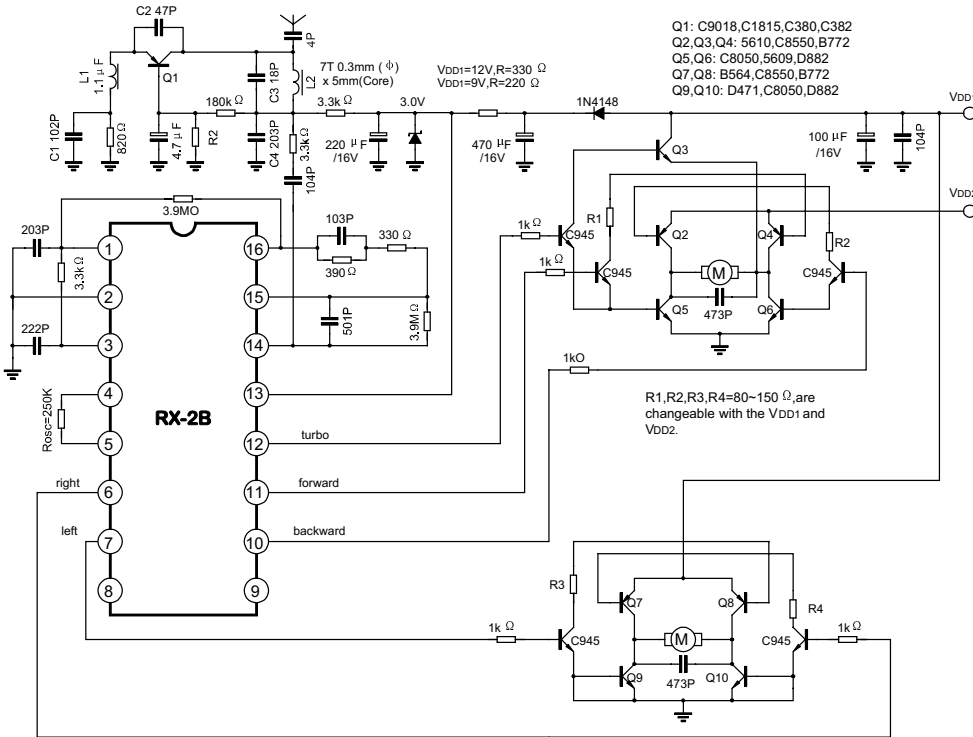
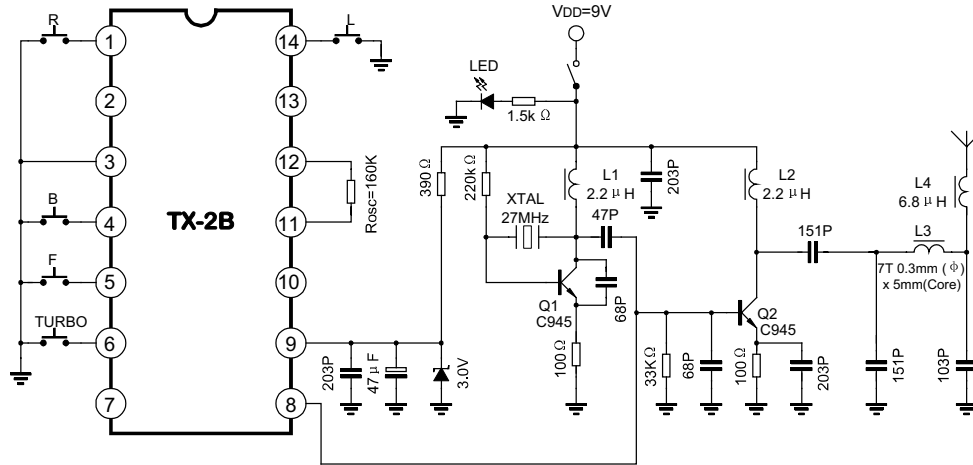


**RECOMMENDED APPLICATION CIRCUIT**



- Q1: C9018, C1815, C380, C382
- Q2, Q3, Q4: 5610, C8550, B772
- Q5, Q6: C8050, 5609, D882
- Q7, Q8: B564, C8550, B772
- Q9, Q10: D471, C8050, D882