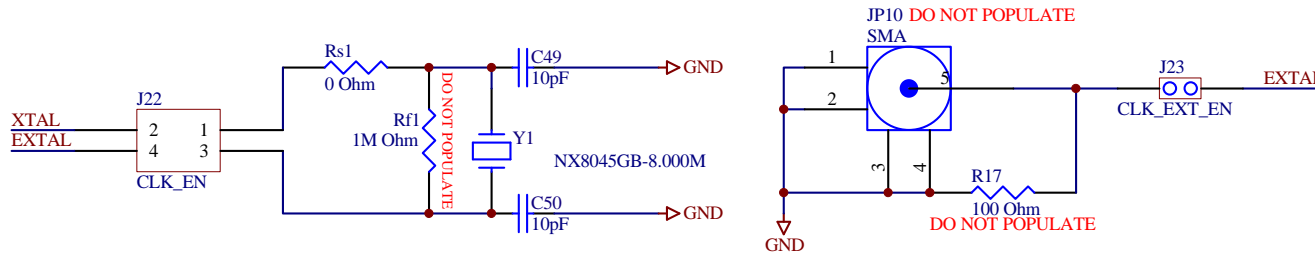


RESET CIRCUIT



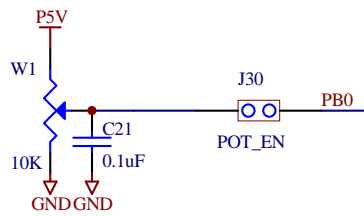
CLOCK CIRCUIT

P&E Microcomputer Systems, Inc.  
 98 Galen Street Floor 2  
 Watertown  
 MA 02472  
 USA

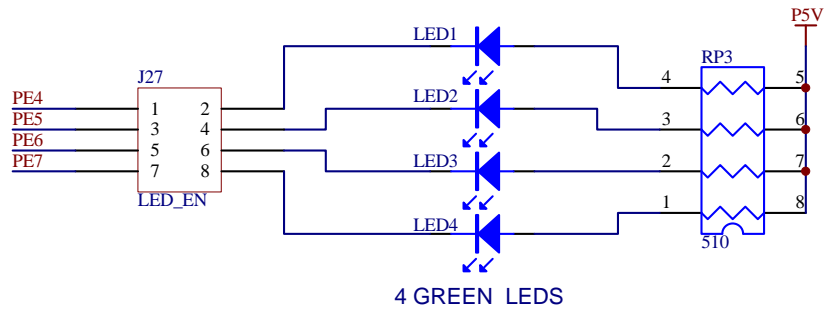
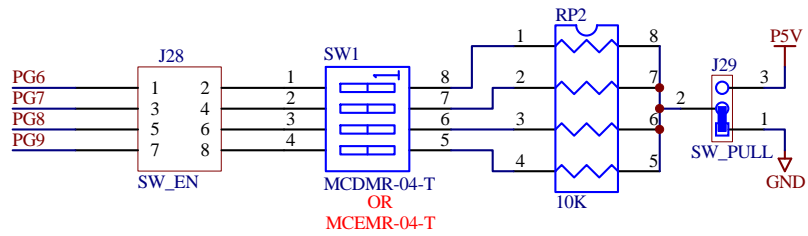
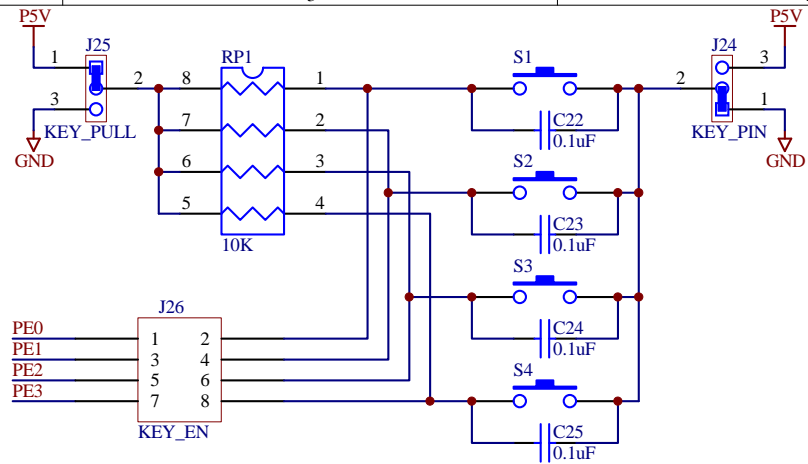
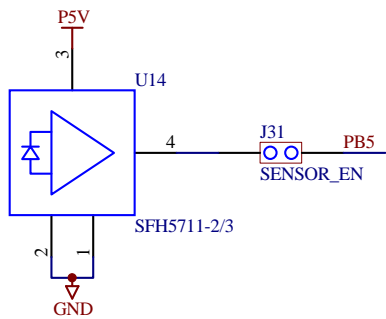
TRK-MPC5604B Schematic - Reset and Clock

Size A	FCSM No.	DWG No.	Rev B
-----------	----------	---------	----------

Scale	Sheet 3 of 9
-------	-----------------



ANALOG INPUT



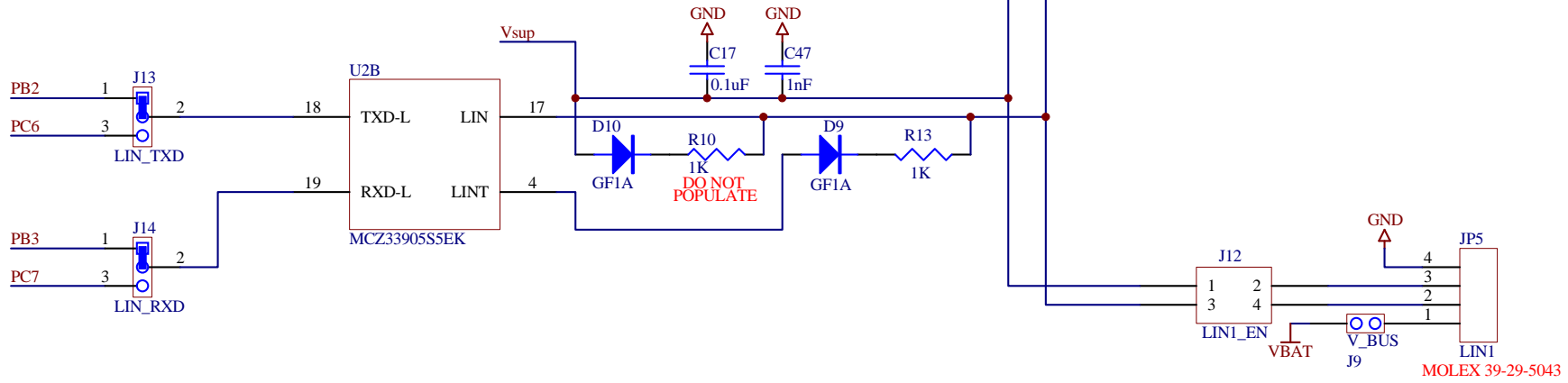
4 GREEN LEDS

P&E Microcomputer Systems, Inc.  
 98 Galen Street Floor 2  
 Watertown  
 MA 02472  
 USA

TRK-MPC5604B Schematic - User IO

Size A	FCSM No.	DWG No.	Rev B
-----------	----------	---------	----------

Scale	Sheet 4 of 9
-------	-----------------

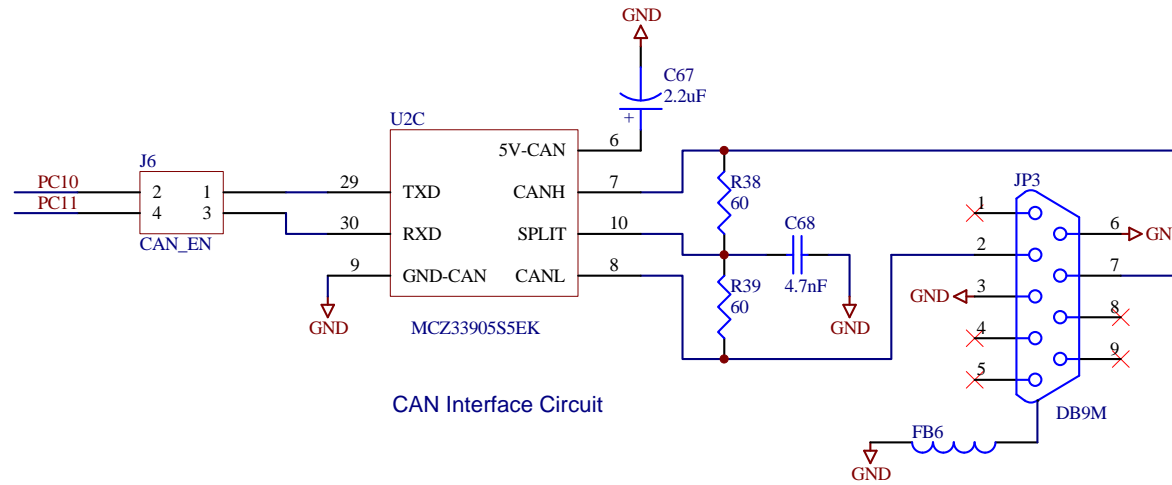


LIN CONNECTION CIRCUIT

P&E Microcomputer Systems, Inc.  
 98 Galen Street Floor 2  
 Watertown  
 MA 02472  
 USA

TRK-MPC5604B Schematic - LIN

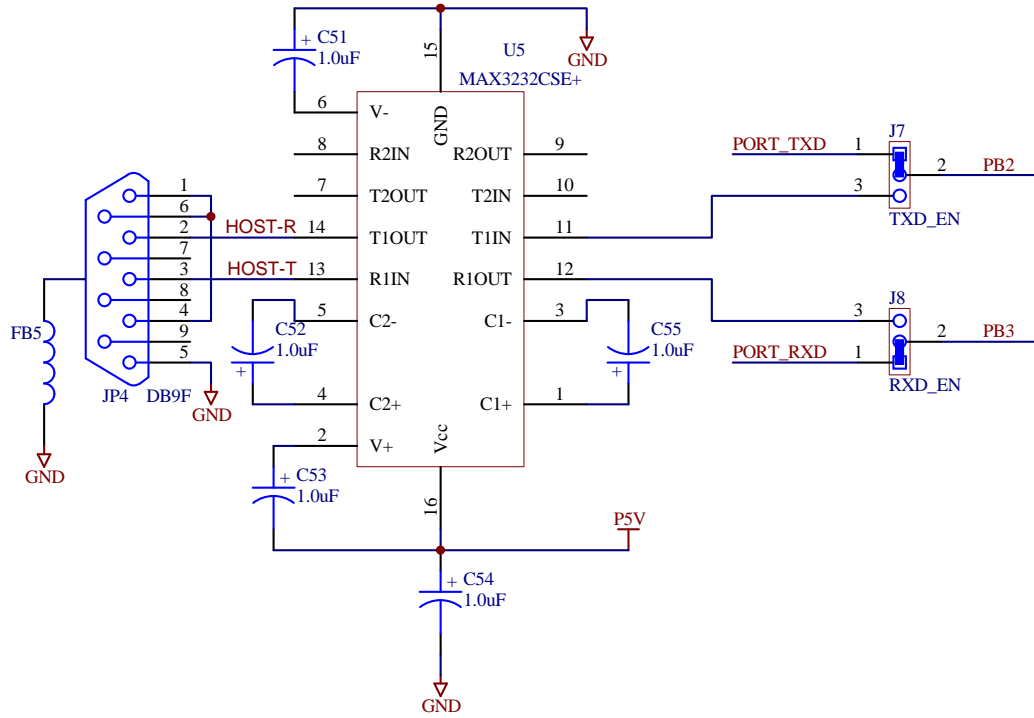
Size A	FCSM No.	DWG No.	Rev B
Scale	Sheet 5 of 9		



P&E Microcomputer Systems, Inc.  
 98 Galen Street Floor 2  
 Watertown  
 MA 02472  
 USA

TRK-MPC5604B Schematic - CAN

Size A	FCSM No.	DWG No.	Rev B
Scale	Sheet 6 of 9		

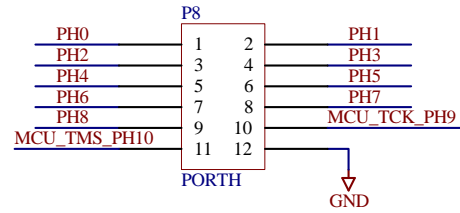
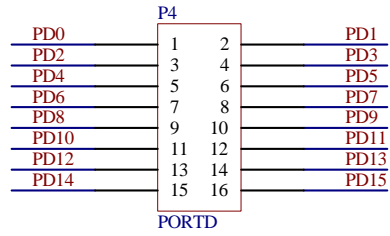
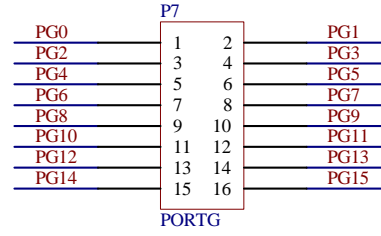
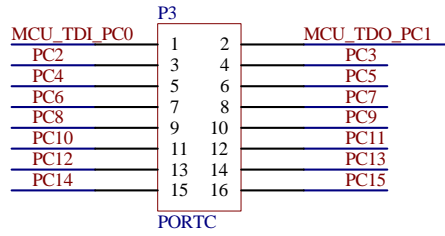
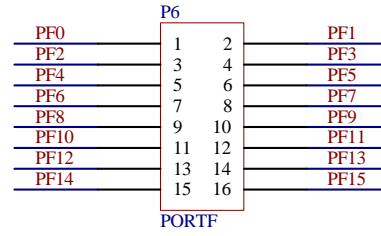
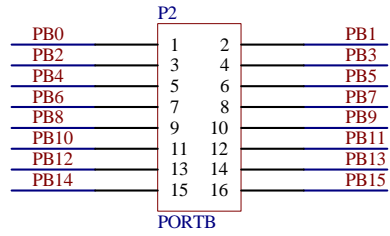
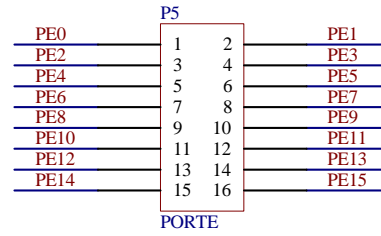
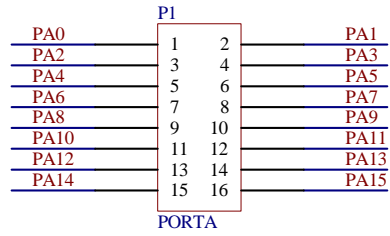


**RS232 CIRCUITRY**  
DO NOT POPULATE

P&E Microcomputer Systems, Inc.  
98 Galen Street Floor 2  
Watertown  
MA 02472  
USA

TRK-MPC5604B Schematic - RS232

Size A	FCSM No.	DWG No.	Rev B
Scale	Sheet 7 of 9		

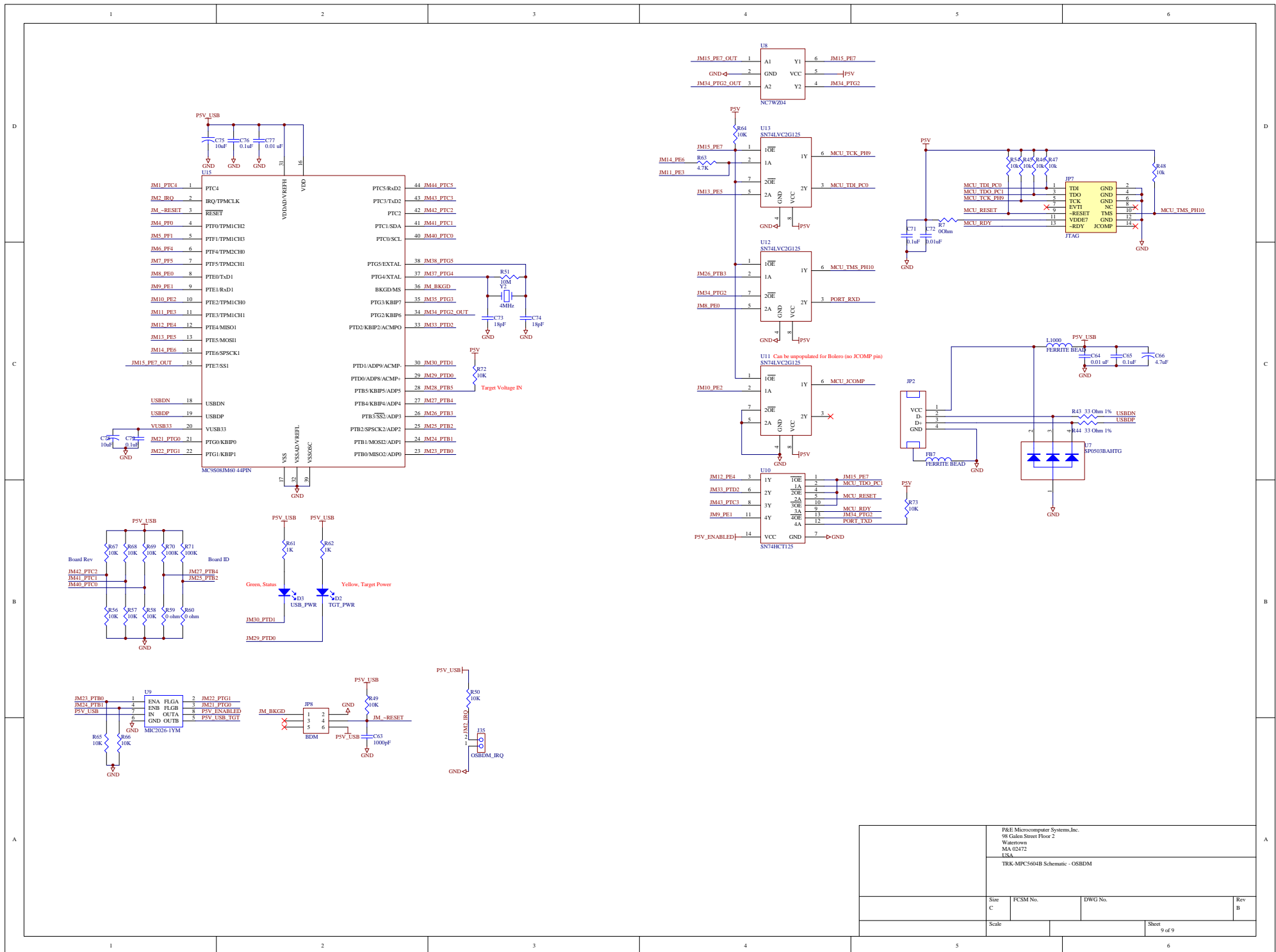


P&E Microcomputer Systems, Inc.  
 98 Galen Street Floor 2  
 Watertown  
 MA 02472  
 USA

TRK-MPC5604B Schematic - PORT IO

Size A	FCSM No.	DWG No.	Rev B
Scale	Sheet 8 of 9		

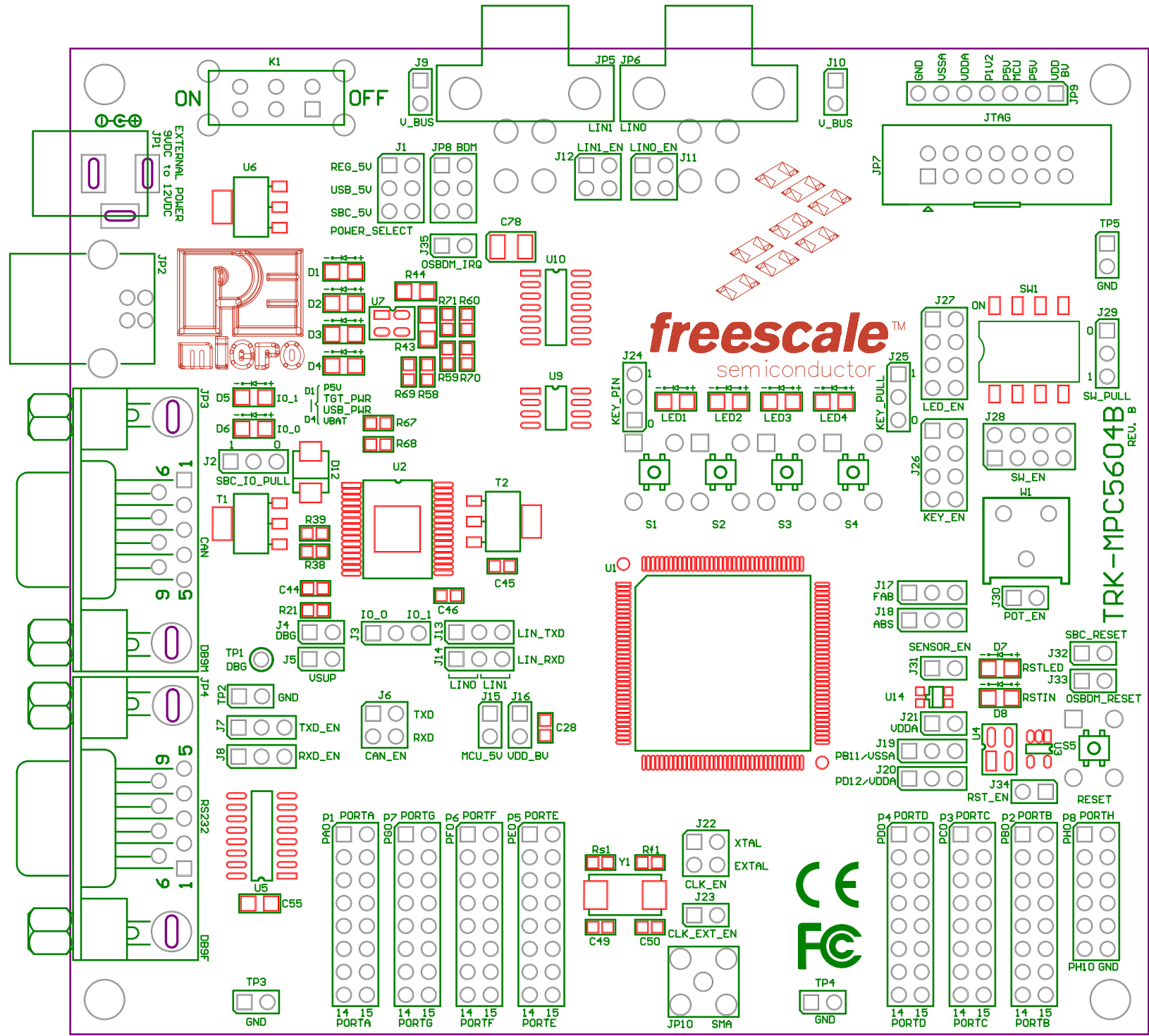




P&E Microcomputer Systems, Inc. 98 Galen Street Floor 2 Watertown MA 02472 USA			
TRK-MPC5604B Schematic - OSBDM			
Size C	FCSM No.	DWG No.	Rev B
Scale		Sheet 9 of 9	

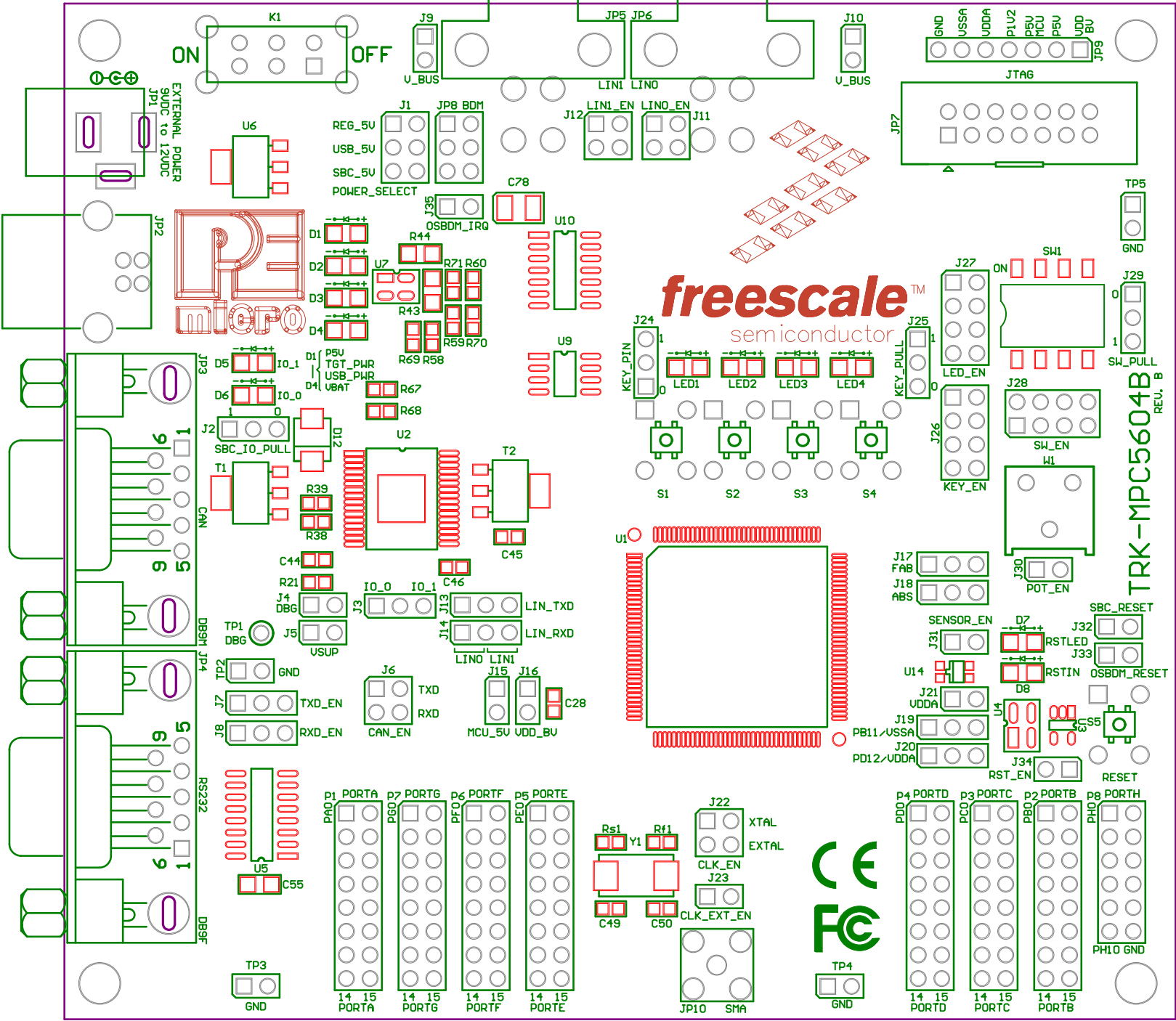
4700 (mil)

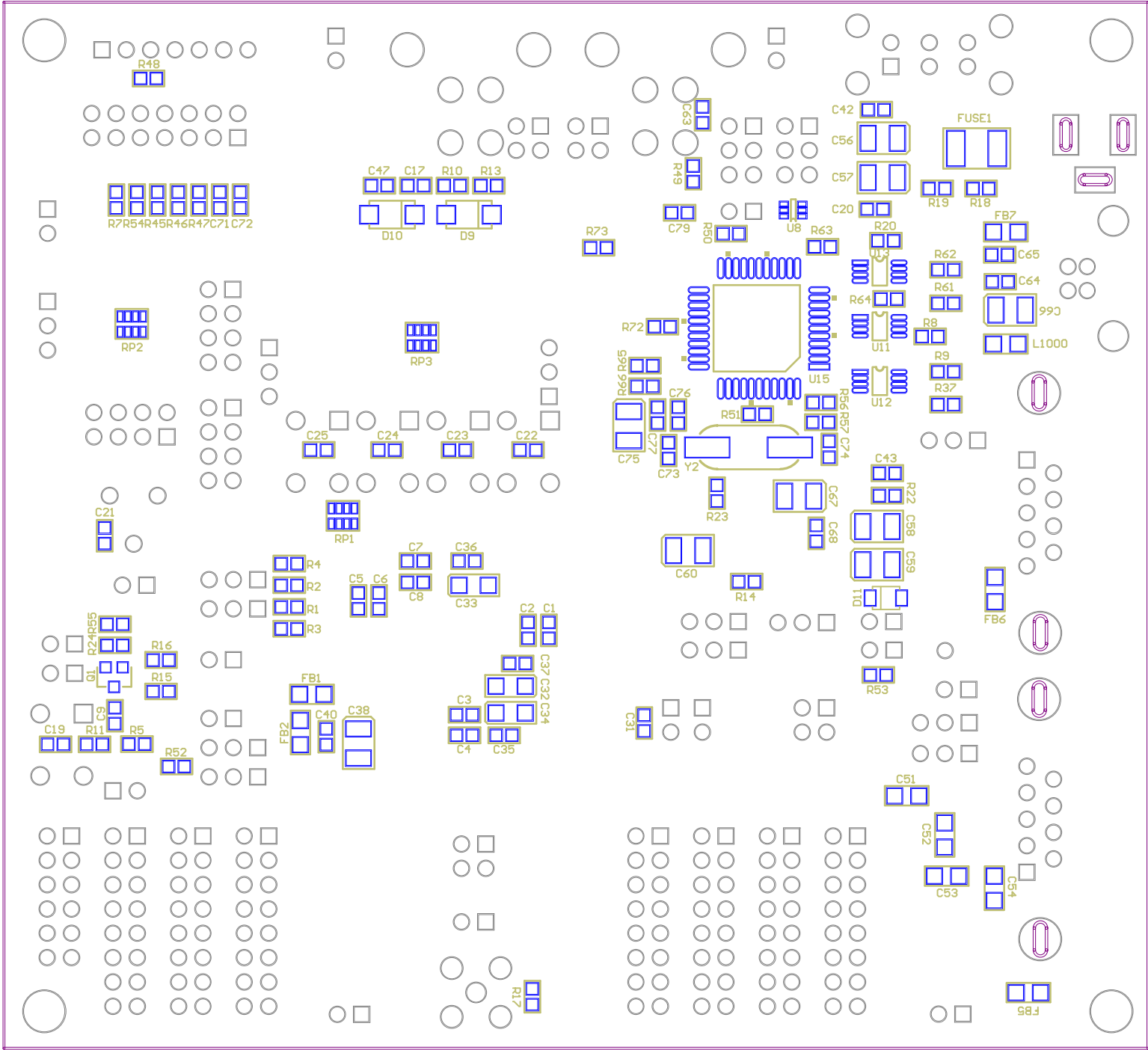
4300 (mil)

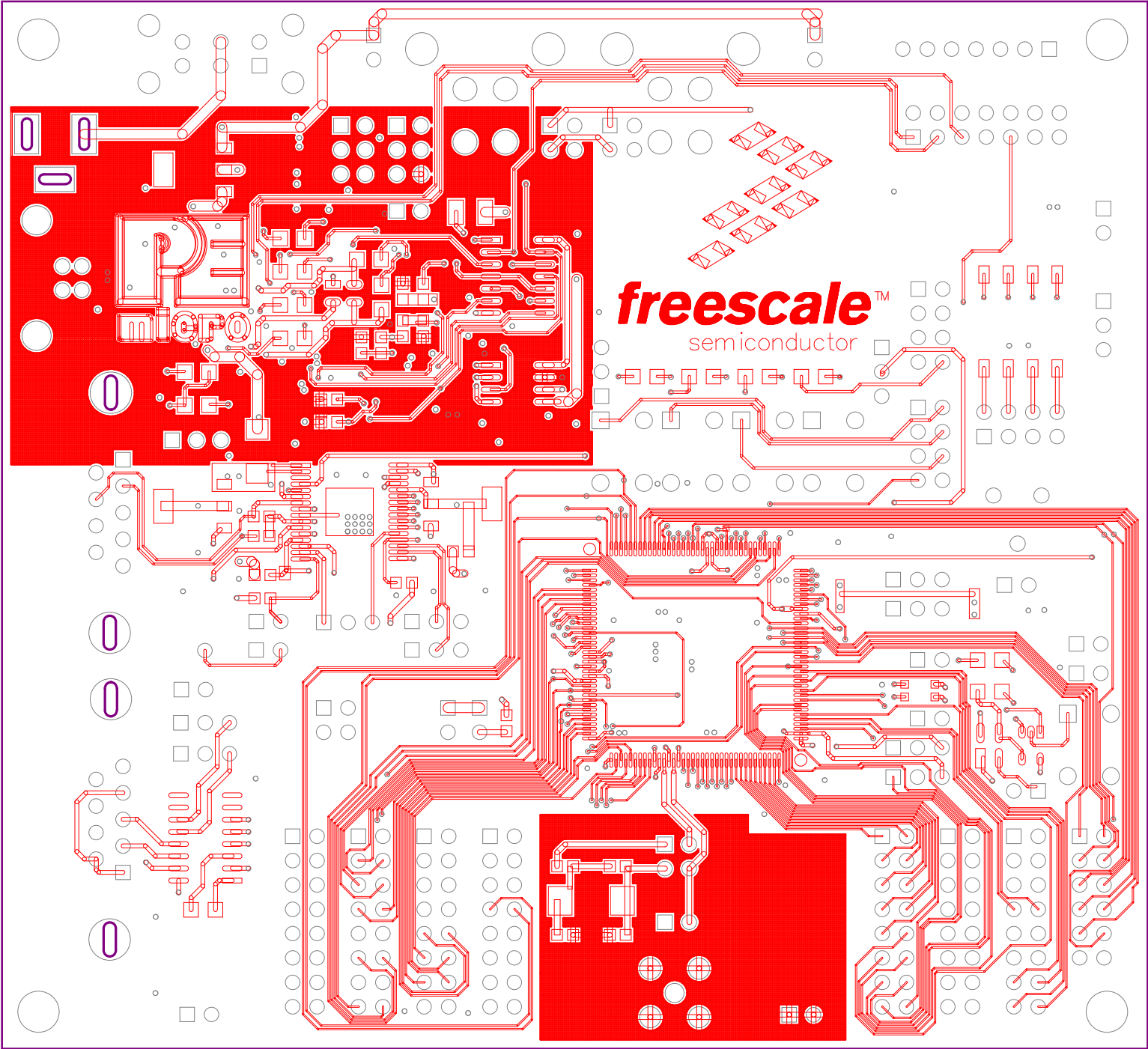


freescale™  
semiconductor

TRK-MPC5604B  
REV. B







**freescale™**  
semiconductor

