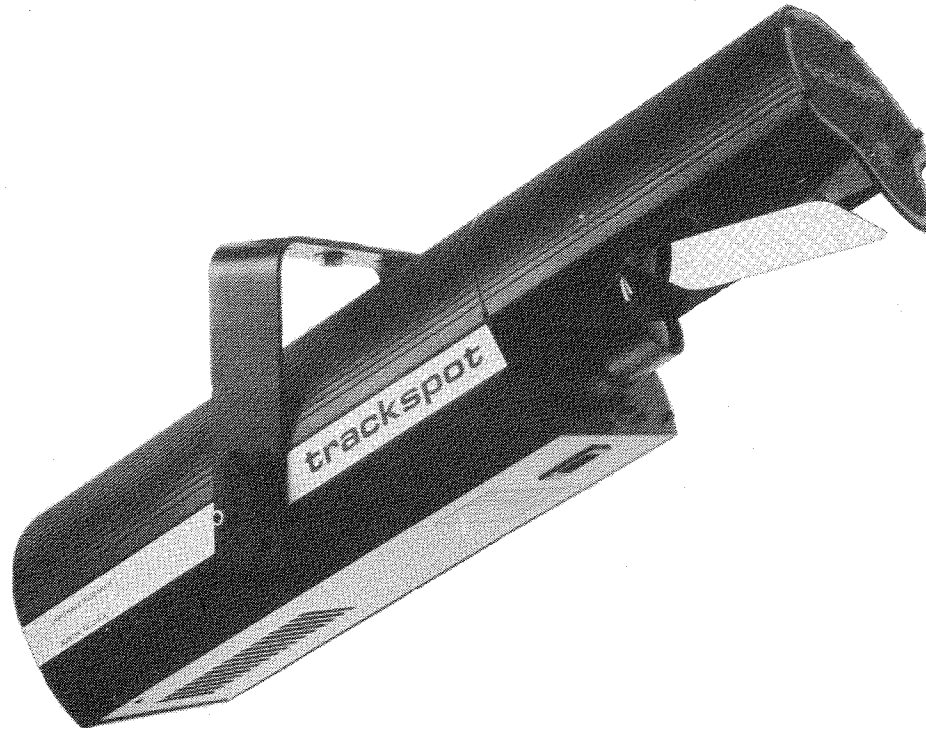
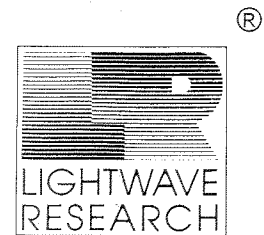


trackspot[®] *Fixture*



2209 West Braker Lane
Austin, Texas, U.S.A.

*Schematic
Drawings*



trackspot

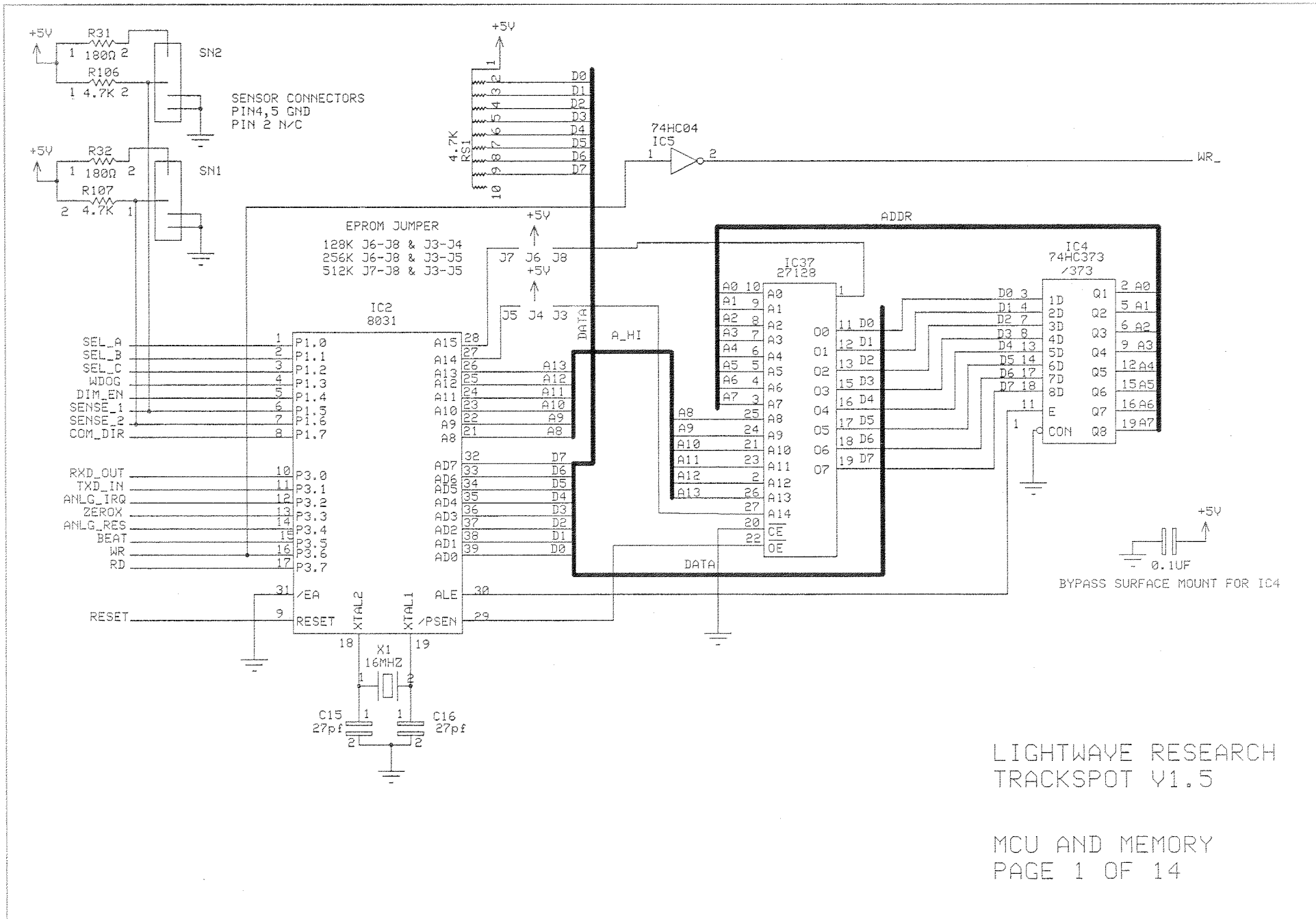
Fixture

Schematic Drawings

Revision 1.5

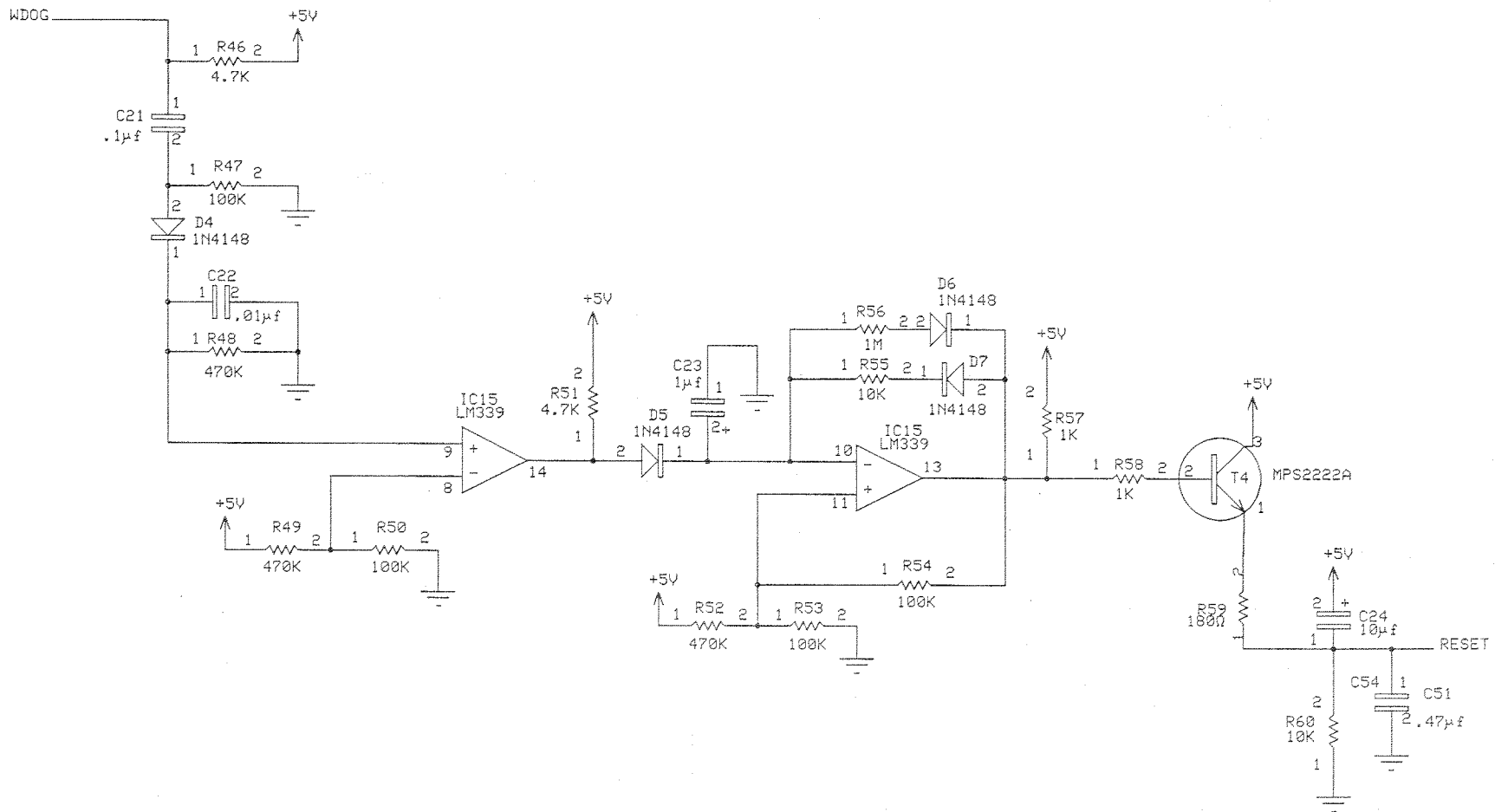
List of Schematic Pages

MCU and Memory	1
Watchdog	2
Audio	3
Analog Input	4
Address and Personality	5
Link I/O	6
Pan Output Driver	7
Tilt Driver	8
Color Driver	9
GOBO Driver	10
Extra Driver	11
Shutter Fan Driver	12
Lamp Dimmer	13
Power Supply	14



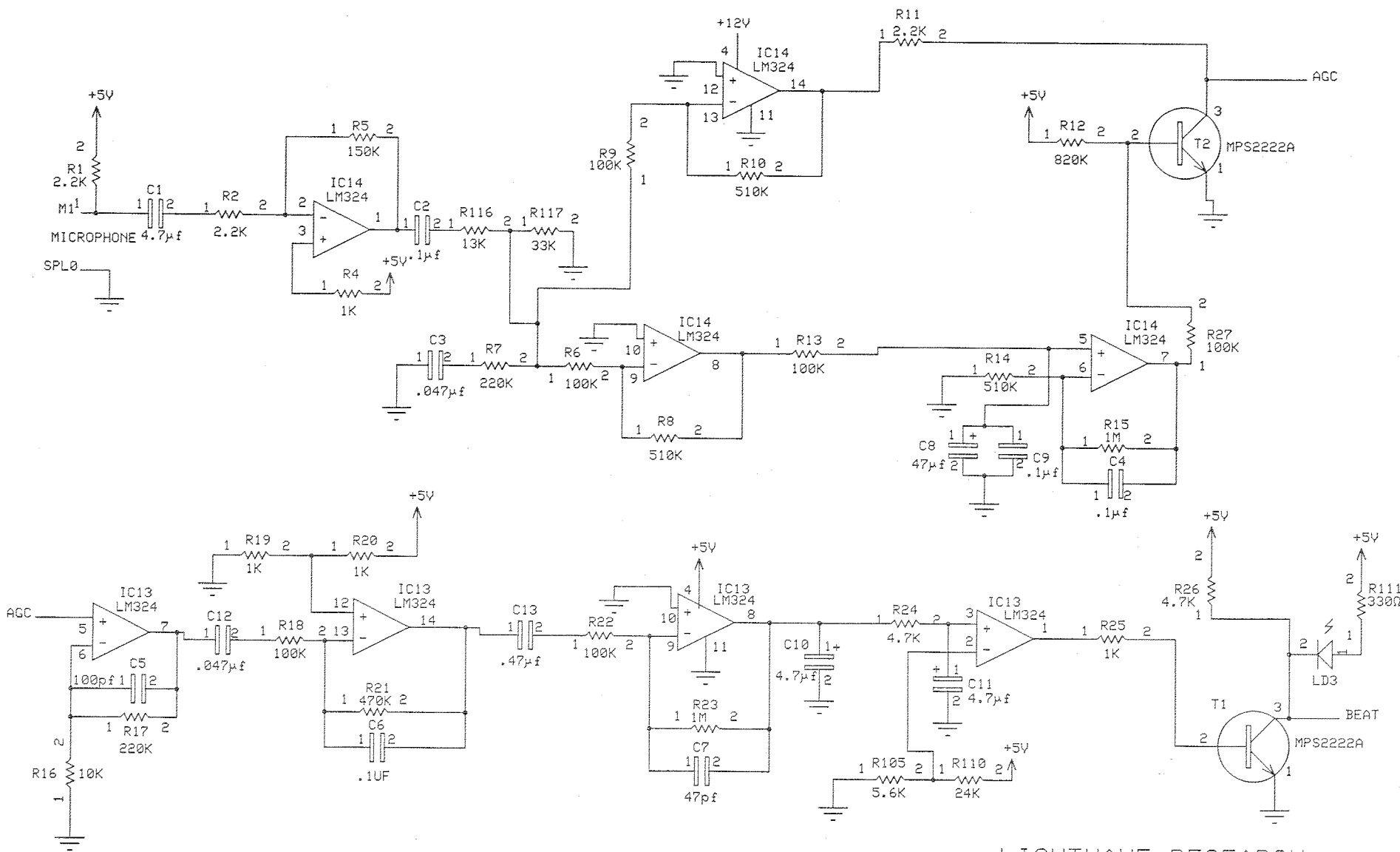
LIGHTWAVE RESEARCH
 TRACKSPOT V1.5

MCU AND MEMORY
 PAGE 1 OF 14

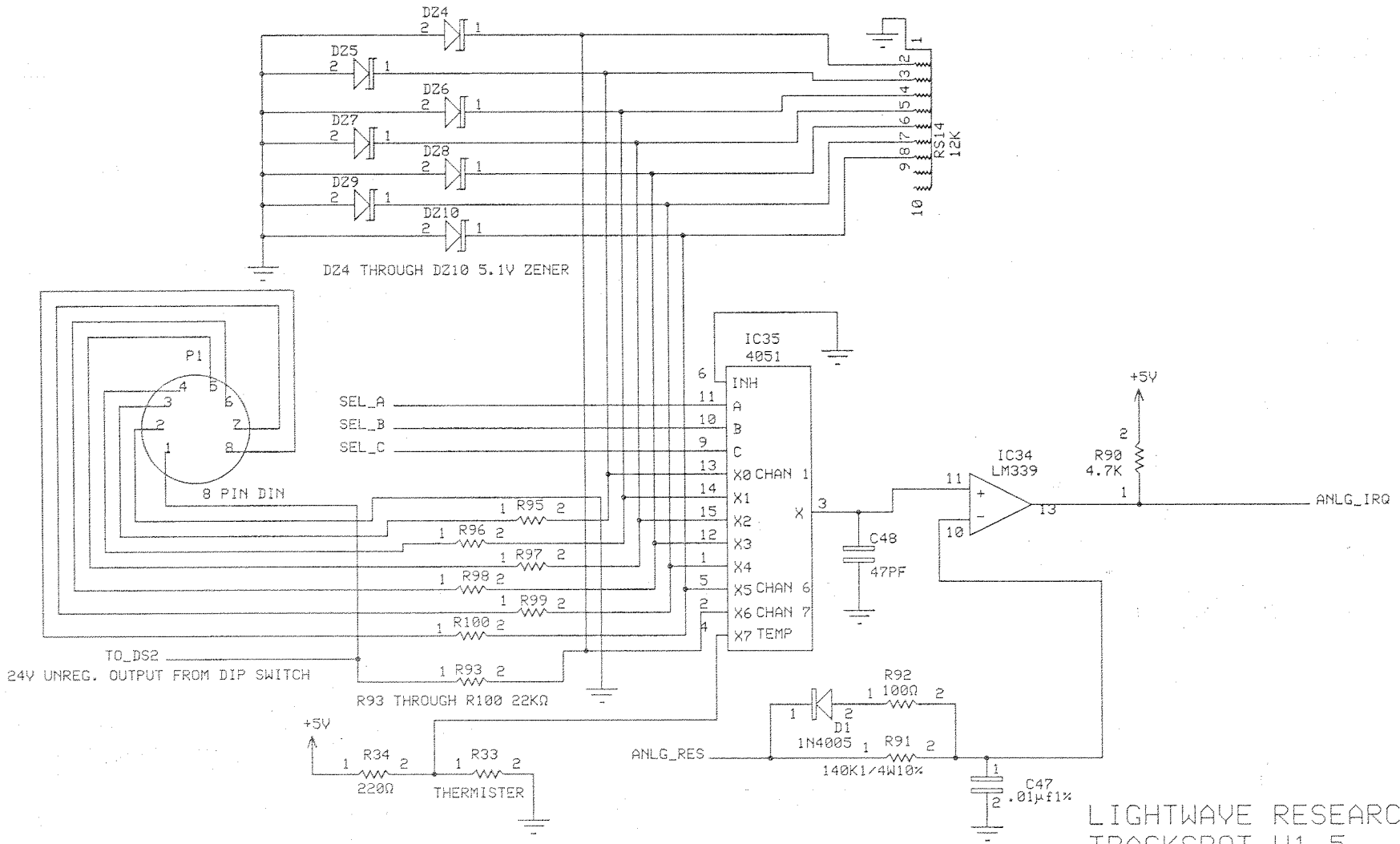


LIGHTWAVE RESEARCH
TRACKSPOT V1.5

WATCHDOG
PAGE 2 OF 14

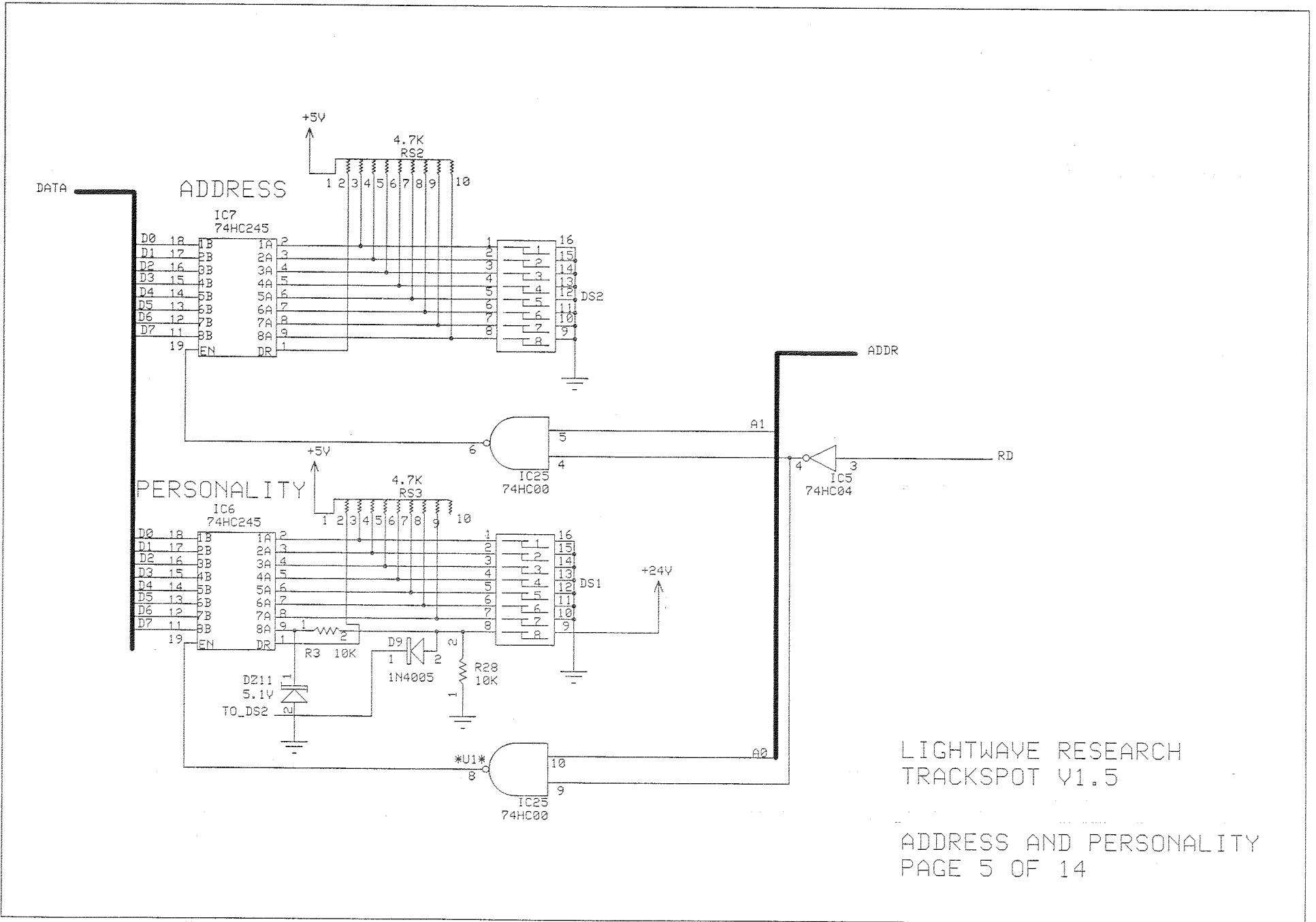


LIGHTWAVE RESEARCH
 TRACKSPOT V1.5
 AUDIO
 PAGE 3 OF 14



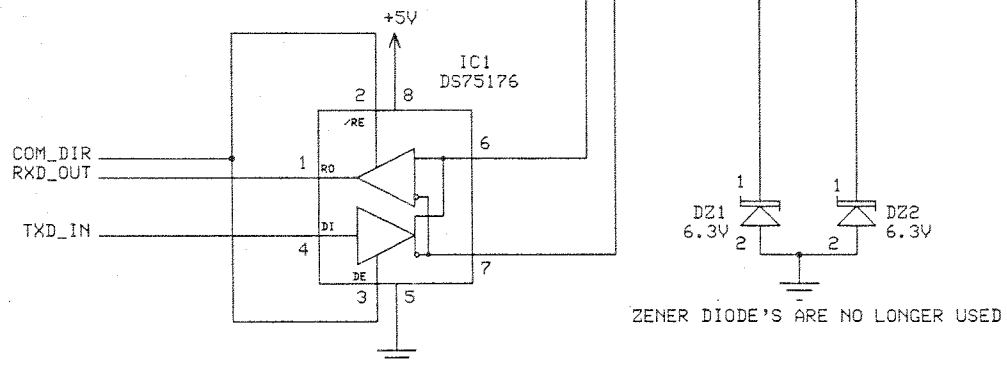
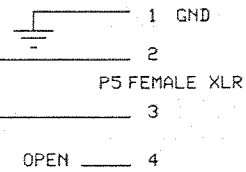
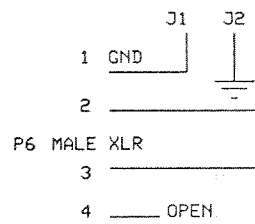
LIGHTWAVE RESEARCH
TRACKSPOT V1.5

ANALOG INPUT
PAGE 4 OF 14



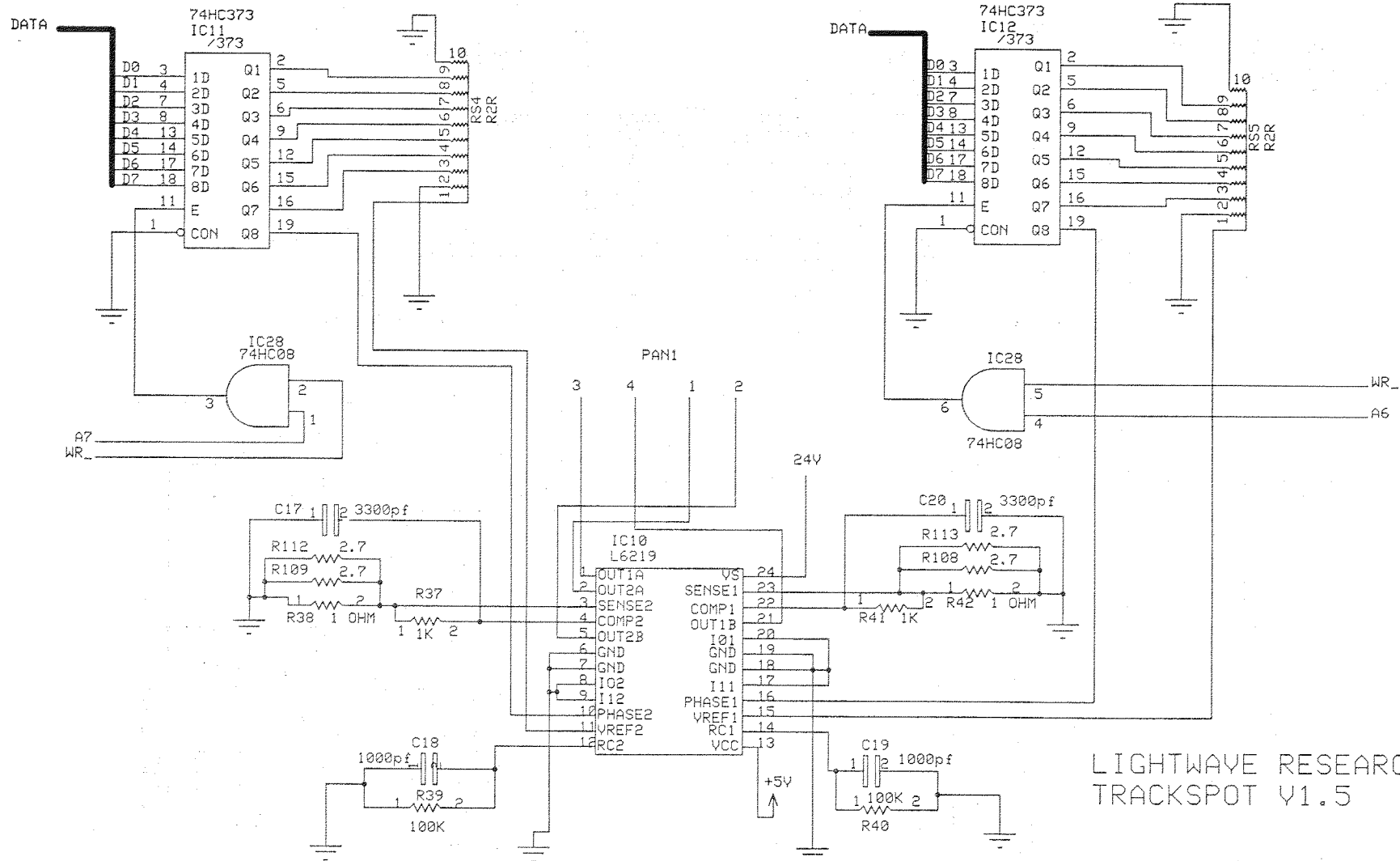
LIGHTWAVE RESEARCH
TRACKSPOT V1.5

ADDRESS AND PERSONALITY
PAGE 5 OF 14



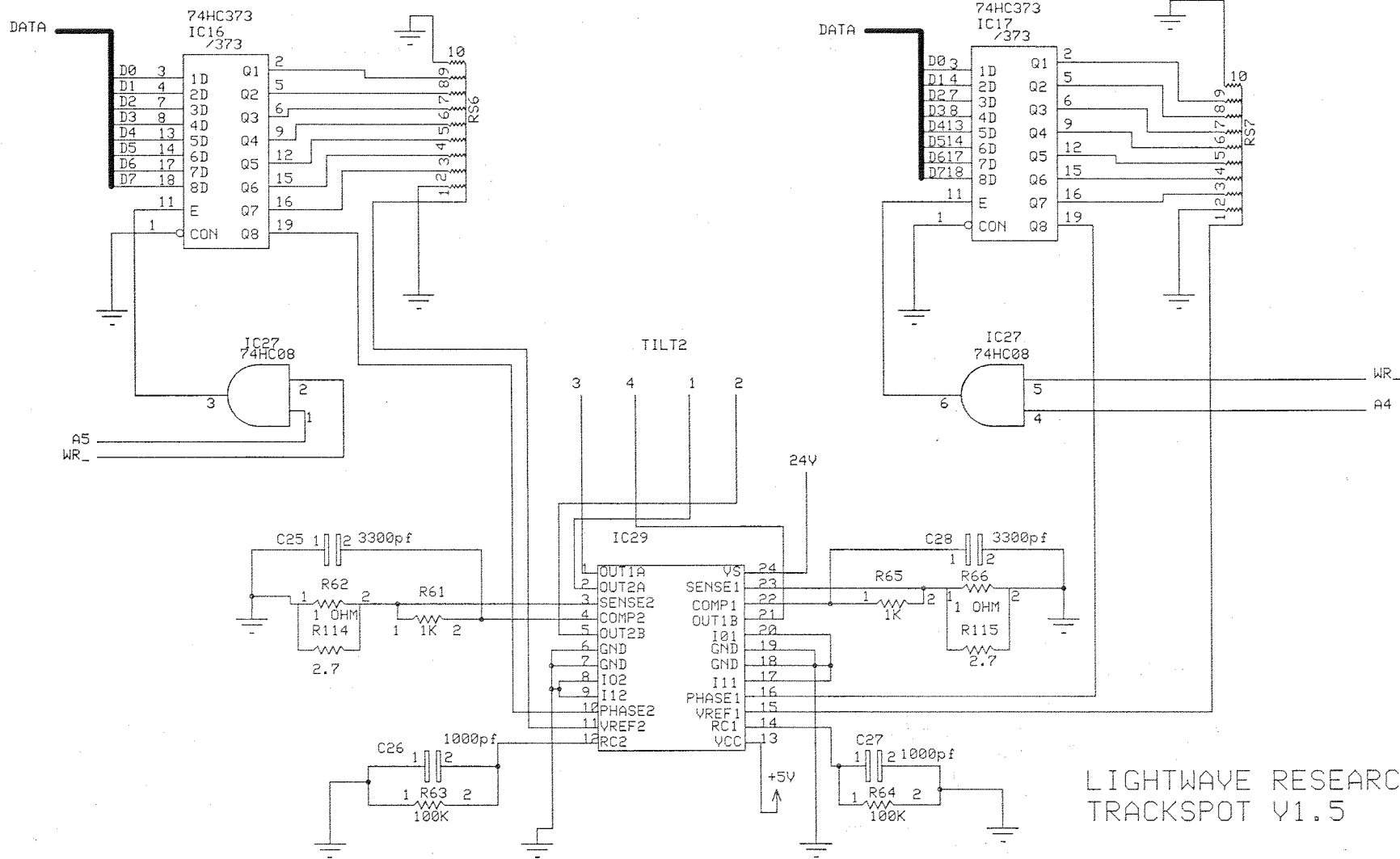
LIGHTWAVE RESEARCH
TRACKSPOT V1.5

LINK I/O
PAGE 6 OF 14



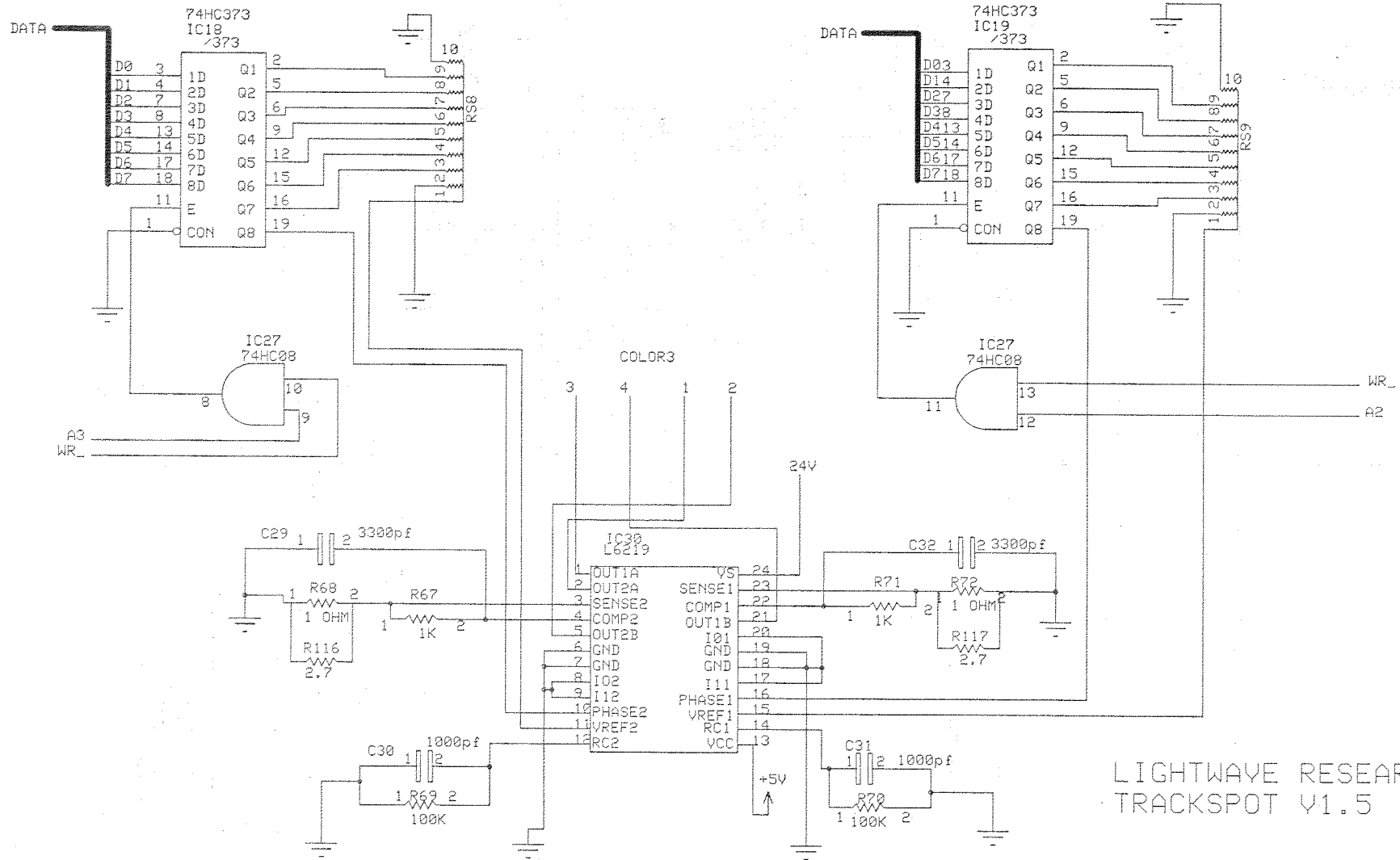
LIGHTWAVE RESEARCH
TRACKSPOT V1.5

PAN OUTPUT DRIVER
PAGE 7 OF 14

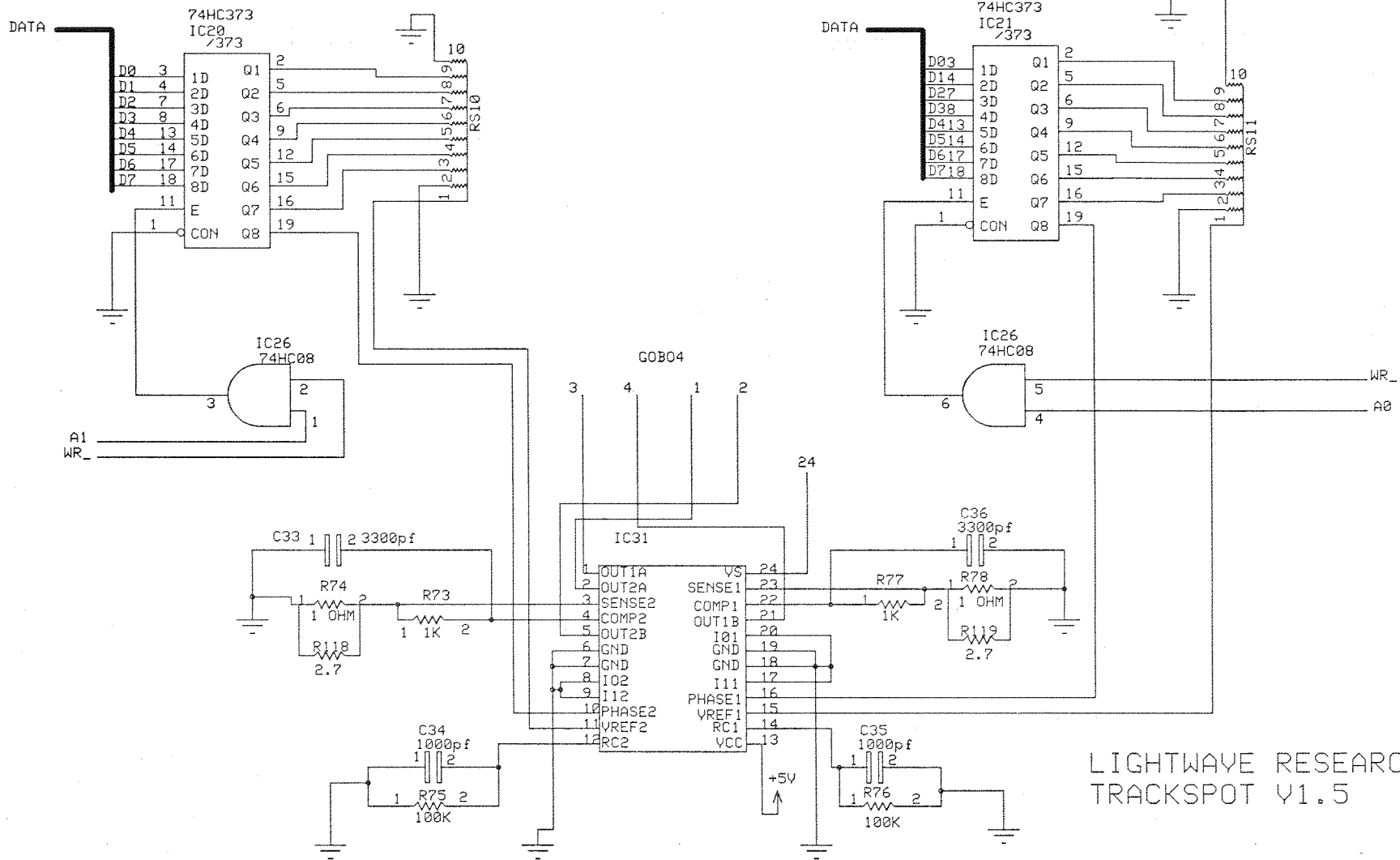


LIGHTWAVE RESEARCH
TRACKSPOT V1.5

TILT DRIVER
PAGE 8 OF 14

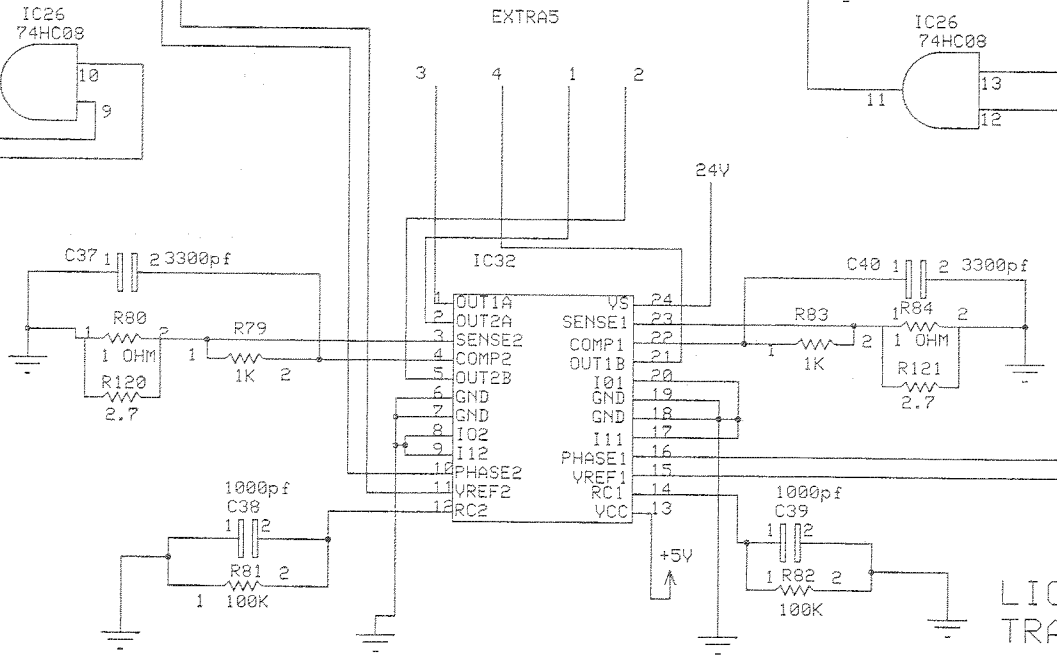
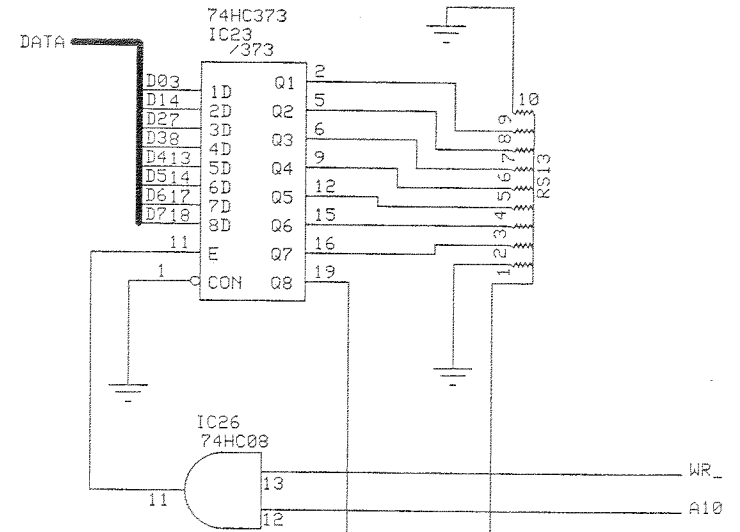
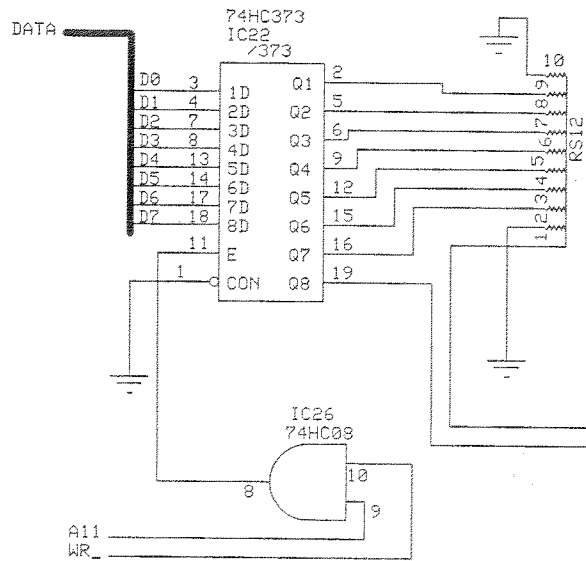


LIGHTWAVE RESEARCH
 TRACKSPOT V1.5
 COLOR DRIVER
 PAGE 9 OF 14



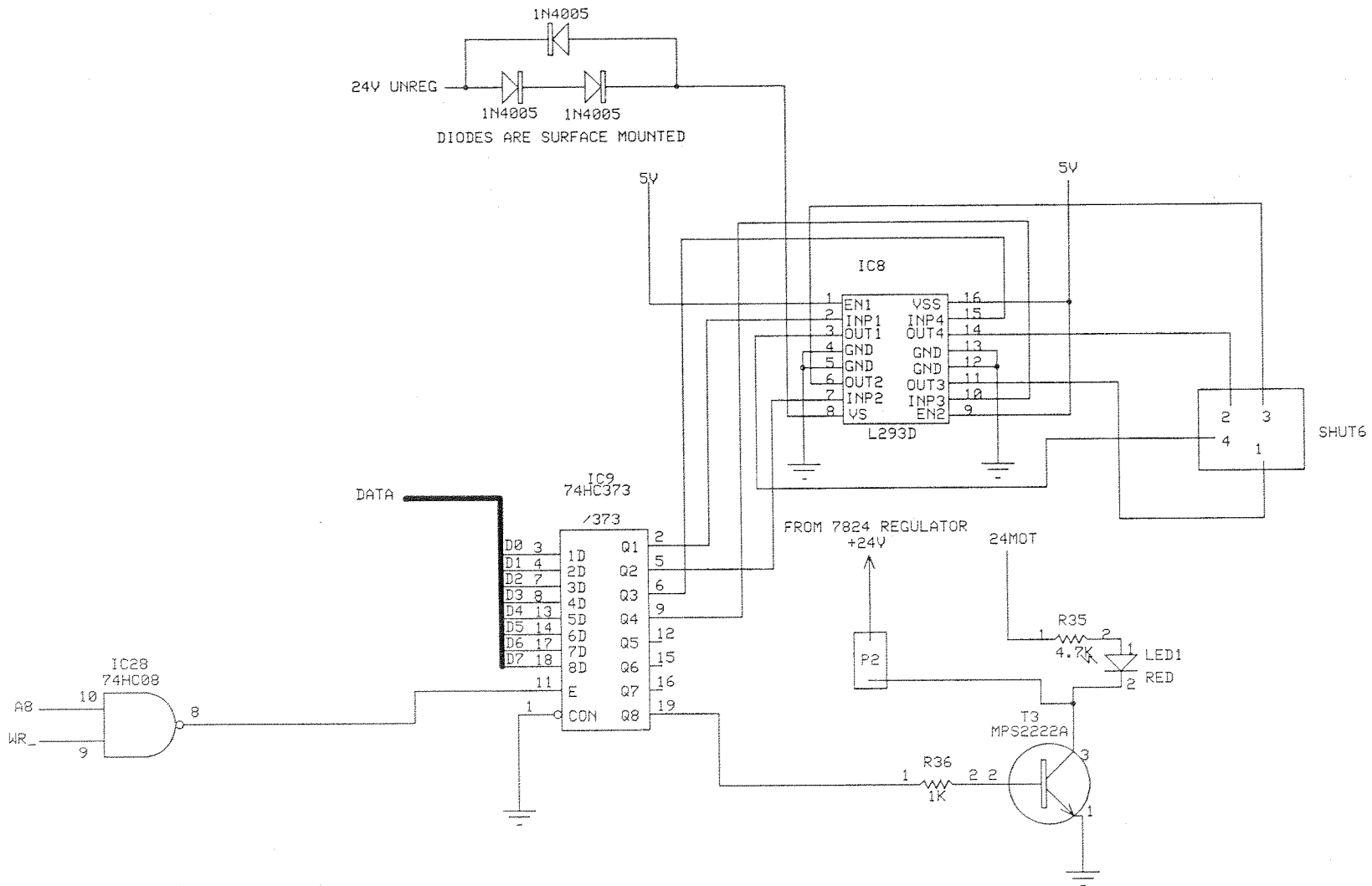
LIGHTWAVE RESEARCH
TRACKSPOT V1.5

GOBO DRIVER
PAGE 10 OF 14



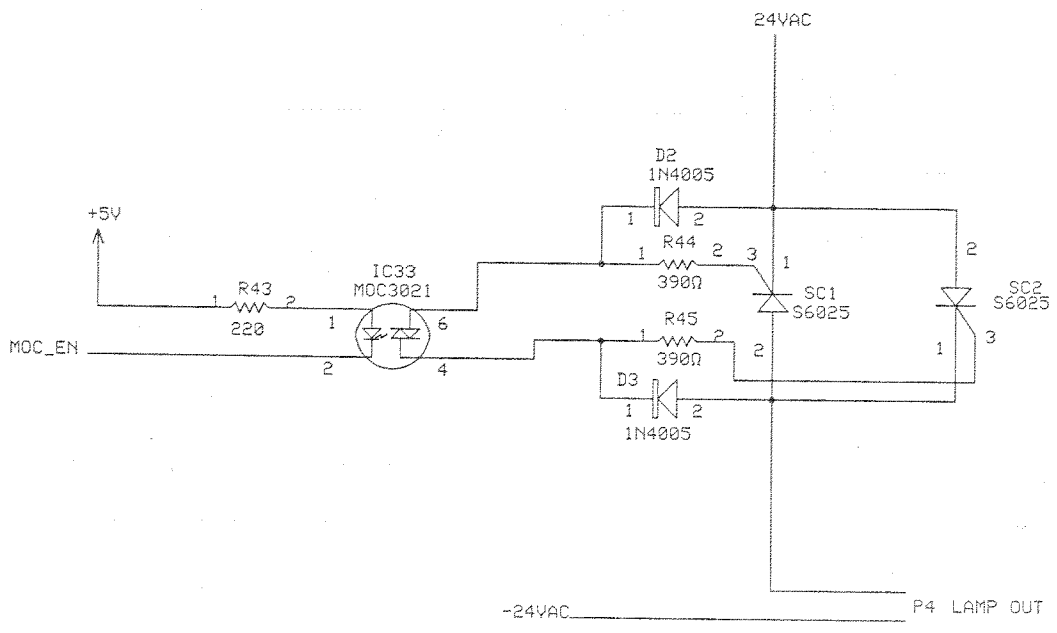
LIGHTWAVE RESEARCH
TRACKSPOT V1.5

EXTRA DRIVER
PAGE 11 OF 14



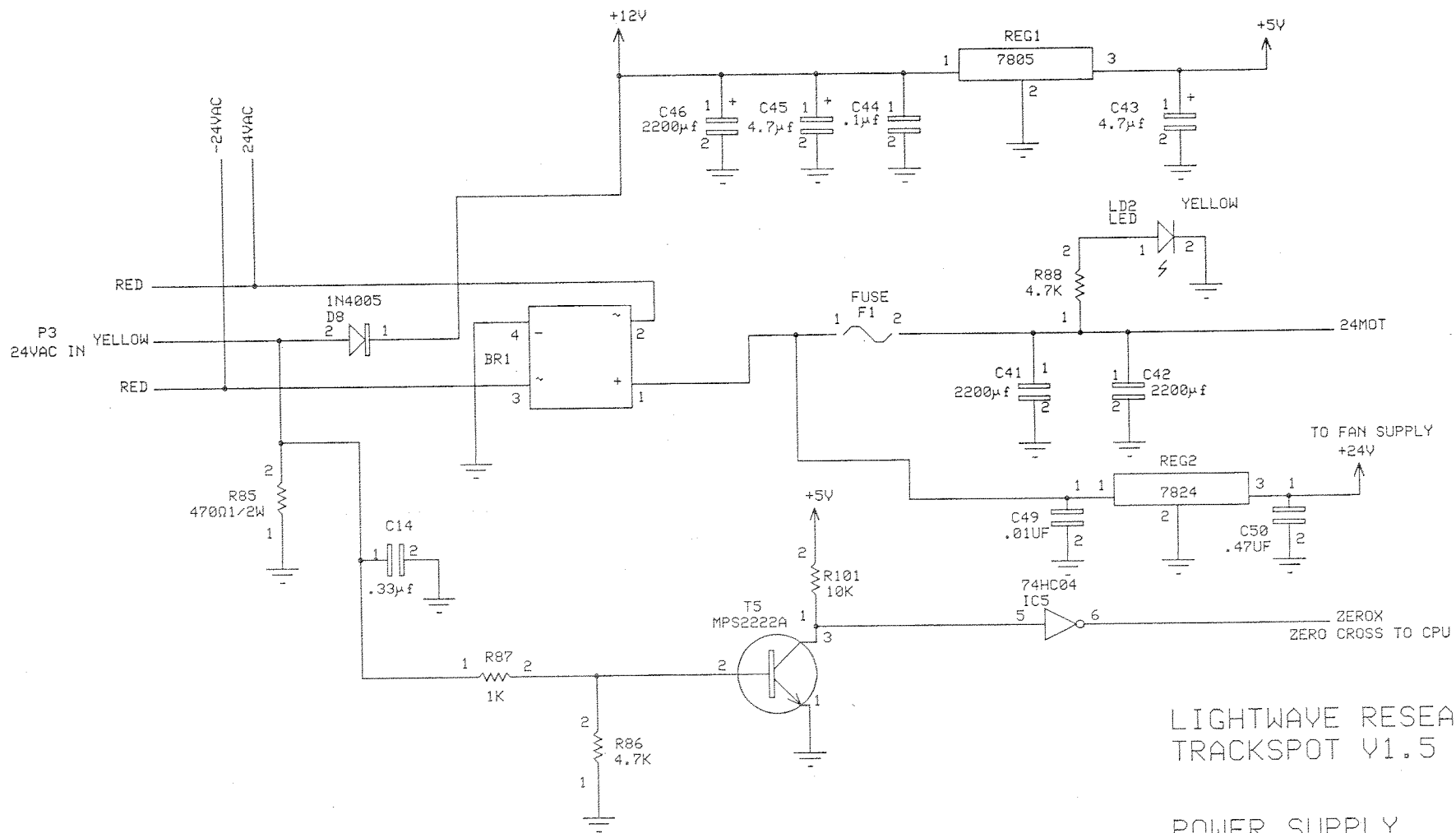
LIGHTWAVE RESEARCH
TRACKSPOT V1.5

SHUTTER FAN DRIVER
PAGE 12 OF 14



LIGHTWAVE RESEARCH
 TRACKSPOT V1.5

LAMP DIMMER
 PAGE 13 OF 14



LIGHTWAVE RESEARCH
TRACKSPOT V1.5

POWER SUPPLY
PAGE 14 OF 14