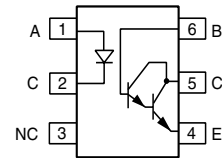
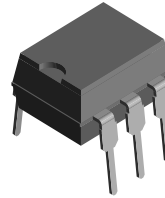


Optocoupler, Photodarlington Output, High Gain, With Base Connection

Features

- Very high current transfer ratio, 500 % Min.
- High isolation resistance, $10^{11} \Omega$ Typical
- Standard plastic DIP package
- Lead-free component
- Component in accordance to RoHS 2002/95/EC and WEEE 2002/96/EC



Agency Approvals

- UL1577, File No. E52744 System Code H or J, Double Protection
- DIN EN 60747-5-2 (VDE0884)
DIN EN 60747-5-5 pending
Available with Option 1
- BSI IEC60950 IEC60065

1179005



Order Information

Part	Remarks
4N32	CTR > 500 %, DIP-6
4N33	CTR > 500 %, DIP-6
4N32-X007	CTR > 500 %, SMD-6 (option 7)
4N32-X009	CTR > 500 %, SMD-6 (option 9)
4N33-X007	CTR > 500 %, SMD-6 (option 7)
4N33-X009	CTR > 500 %, SMD-6 (option 9)

For additional information on the available options refer to Option Information.

Description

The 4N32 and 4N33 are optically coupled isolators with a gallium arsenide infrared LED and a silicon photodarlington sensor.

Switching can be achieved while maintaining a high degree of isolation between driving and load circuits.

These optocouplers can be used to replace reed and mercury relays with advantages of long life, high speed switching and elimination of magnetic fields.

Absolute Maximum Ratings

$T_{amb} = 25^\circ\text{C}$, unless otherwise specified

Stresses in excess of the absolute Maximum Ratings can cause permanent damage to the device. Functional operation of the device is not implied at these or any other conditions in excess of those given in the operational sections of this document. Exposure to absolute Maximum Rating for extended periods of the time can adversely affect reliability.

Input

Parameter	Test condition	Symbol	Value	Unit
Peak reverse voltage		V_R	3.0	V
Forward continuous current		I_F	60	mA
Power dissipation		P_{diss}	100	mW
Derate linearly	from 55°C		1.33	mW/ $^\circ\text{C}$

Output

Parameter	Test condition	Symbol	Value	Unit
Collector-emitter breakdown voltage		BV_{CEO}	30	V
Emitter-base breakdown voltage		BV_{EBO}	8.0	V
Collector-base breakdown voltage		BV_{CBO}	50	V
Emitter-collector breakdown voltage		BV_{ECO}	5.0	V
Collector (load) current		I_C	125	mA
Power dissipation		P_{diss}	150	mW
Derate linearly			2.0	mW/°C

Coupler

Parameter	Test condition	Symbol	Value	Unit
Total dissipation		P_{tot}	250	mW
Derate linearly			3.3	mW/°
Isolation test voltage (between emitter and detector, Standard Climate: 23 °C/ 50 %RH, \nDIN 500 14)		V_{ISO}	5300	V_{RMS}
Leakage Path			7.0	mm min.
Air Path			7.0	mm min.
Isolation Resistance	$V_{IO} = 500 \text{ V}, T_{amb} = 25 \text{ °C}$	R_{IO}	$\geq 10^{12}$	Ω
	$V_{IO} = 500 \text{ V}, T_{amb} = 100 \text{ °C}$	R_{IO}	$\geq 10^{11}$	Ω
Storage temperature		T_{amb}	- 55 to + 150	°C
Operating temperature		T_{stg}	- 55 to + 100	°C
Lead soldering time	at 260 °C		10	s

Electrical Characteristics

$T_{amb} = 25 \text{ °C}$, unless otherwise specified

Minimum and maximum values are testing requirements. Typical values are characteristics of the device and are the result of engineering evaluation. Typical values are for information only and are not part of the testing requirements.

Input

Parameter	Test condition	Symbol	Min	Typ.	Max	Unit
Forward voltage	$I_F = 50 \text{ mA}$	V_F		1.25	1.5	V
Reverse current	$V_R = 3.0 \text{ V}$	I_R		0.1	100	μ
Capacitance	$V_R = 0 \text{ V}$	C_O		25		pF

Output

Parameter	Test condition	Symbol	Min	Typ.	Max	Unit
Collector-emitter breakdown voltage ¹⁾	$I_C = 100 \mu A, I_F = 0$	BV_{CEO}	30			V
Collector-base breakdown voltage ¹⁾	$I_C = 100 \mu A, I_F = 0$	BV_{CBO}	50			V
Emitter-base breakdown voltage ¹⁾	$I_C = 100 \mu A, I_F = 0$	BV_{EBO}	8.0			V
Emitter-collector breakdown voltage ¹⁾	$I_C = 100 \mu A, I_F = 0$	BV_{ECO}	5.0	10		V
Collector-emitter leakage current	$V_{CE} = 10 V, I_F = 0$	I_{CEO}		1.0	100	nA
	$I_C = 0.5 mA, V_{CE} = 5.0 V$	h_{FE}	13			

¹⁾ Indicates JEDEC registered values

Coupler

Parameter	Test condition	Symbol	Min	Typ.	Max	Unit
Collector emitter saturation voltage		V_{CEsat}		1.0		V
Coupling capacitance				1.5		pF

Current Transfer Ratio

Parameter	Test condition	Symbol	Min	Typ.	Max	Unit
Current Transfer Ratio	$V_{CE} = 10 V, I_F = 10 mA,$	CTR	500			%

Switching Characteristics

Parameter	Test condition	Symbol	Min	Typ.	Max	Unit
Turn on time	$V_{CC} = 10 V, I_C = 50 mA$	t_{on}			5.0	μs
Turn off time	$I_F = 200 mA, R_L = 180 \Omega$	t_{off}			100	μs

Typical Characteristics ($T_{amb} = 25^\circ C$ unless otherwise specified)

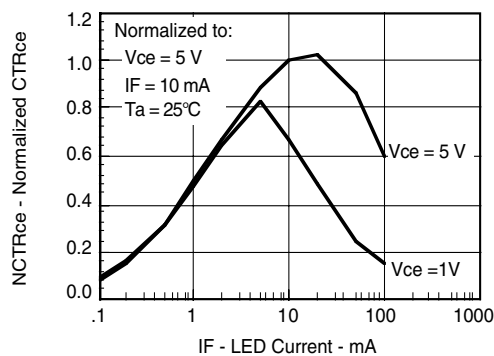


Figure 1. Normalized Non-saturated and Saturated CTR_{CE} vs. LED Current

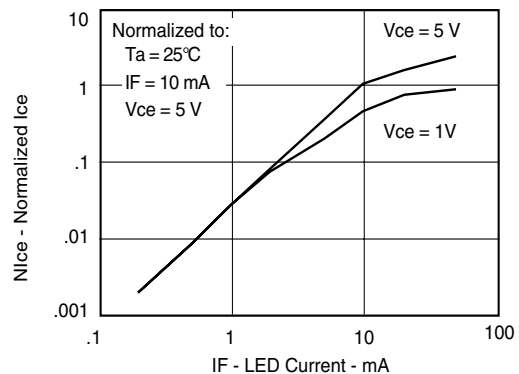
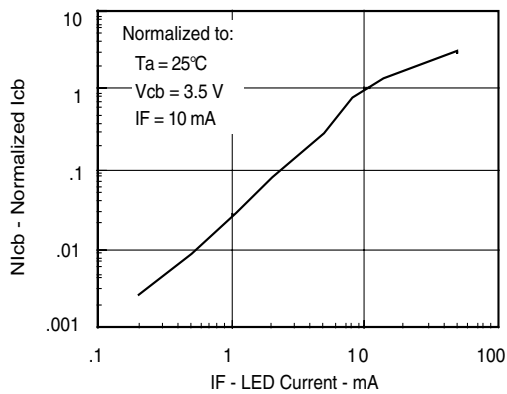


Figure 2. Normalized Non-Saturated and Saturated Collector-Emitter Current vs. LED Current

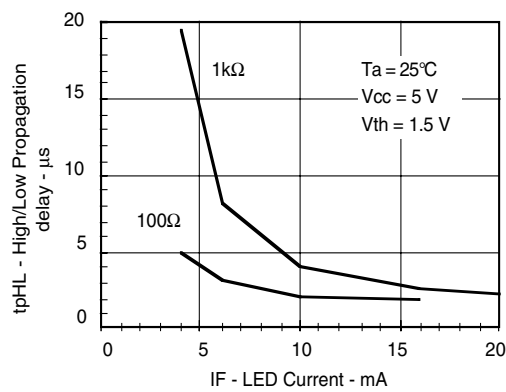
4n32-33_02

4n32-33_03



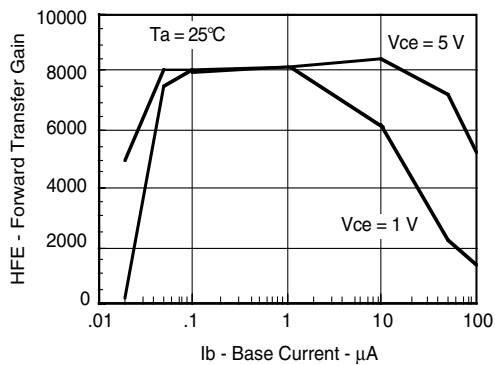
4N32-33_04

Figure 3. Normalized Collector-Base Photocurrent vs. LED Current



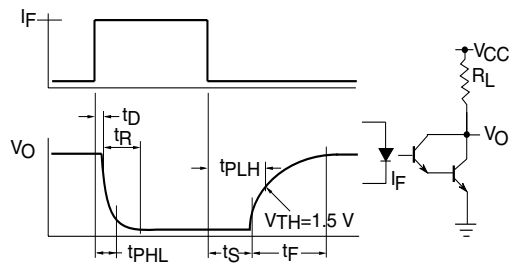
4N32-33_07

Figure 6. High to low Propagation Delay vs. Collector Load Resistance and LED Current



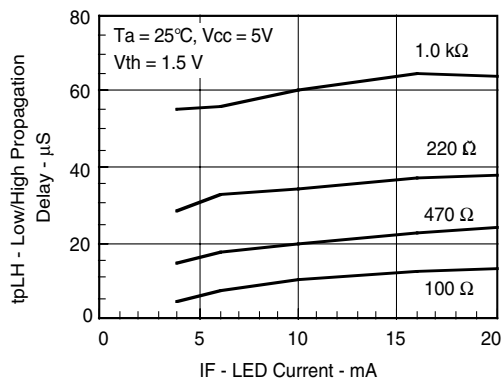
4N32-33_05

Figure 4. Non-Saturated and Saturated HFE vs. Base Current



4N32-33_08

Figure 7. Switching Waveform and Switching Schematic



4N32-33_06

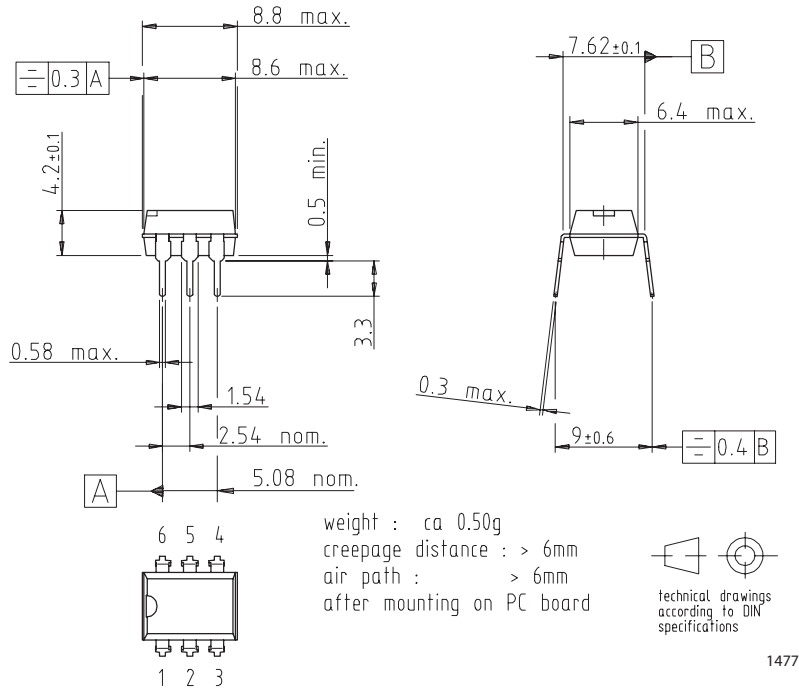
Figure 5. Low to High Propagation Delay vs. Collector Load Resistance and LED Current

Package Dimensions in Inches (mm)

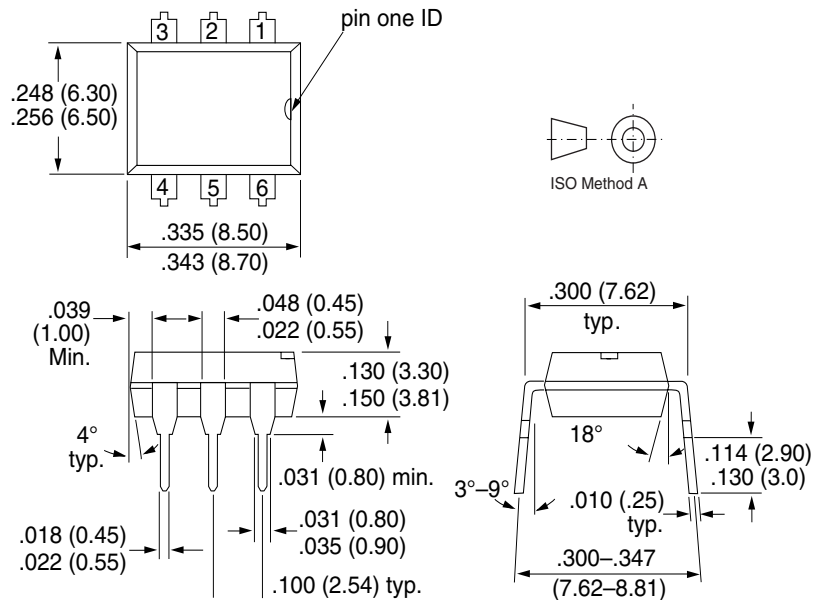
For 4N32/33..... see DIL300-6 Package dimension in the Package Section.

For products with an option designator (e.g. 4N32-X007 or 4N33-X009)..... see DIP-6 Package dimensions in the Package Section.

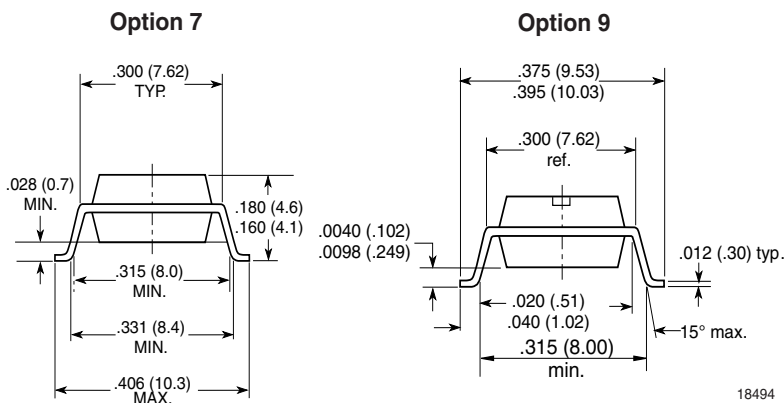
DIL300-6 Package Dimensions



DIP-6 Package Dimensions



i178004



Ozone Depleting Substances Policy Statement

It is the policy of Vishay Semiconductor GmbH to

1. Meet all present and future national and international statutory requirements.
2. Regularly and continuously improve the performance of our products, processes, distribution and operating systems with respect to their impact on the health and safety of our employees and the public, as well as their impact on the environment.

It is particular concern to control or eliminate releases of those substances into the atmosphere which are known as ozone depleting substances (ODSs).

The Montreal Protocol (1987) and its London Amendments (1990) intend to severely restrict the use of ODSs and forbid their use within the next ten years. Various national and international initiatives are pressing for an earlier ban on these substances.

Vishay Semiconductor GmbH has been able to use its policy of continuous improvements to eliminate the use of ODSs listed in the following documents.

1. Annex A, B and list of transitional substances of the Montreal Protocol and the London Amendments respectively
2. Class I and II ozone depleting substances in the Clean Air Act Amendments of 1990 by the Environmental Protection Agency (EPA) in the USA
3. Council Decision 88/540/EEC and 91/690/EEC Annex A, B and C (transitional substances) respectively.

Vishay Semiconductor GmbH can certify that our semiconductors are not manufactured with ozone depleting substances and do not contain such substances.

We reserve the right to make changes to improve technical design and may do so without further notice.

Parameters can vary in different applications. All operating parameters must be validated for each customer application by the customer. Should the buyer use Vishay Semiconductors products for any unintended or unauthorized application, the buyer shall indemnify Vishay Semiconductors against all claims, costs, damages, and expenses, arising out of, directly or indirectly, any claim of personal damage, injury or death associated with such unintended or unauthorized use.

Vishay Semiconductor GmbH, P.O.B. 3535, D-74025 Heilbronn, Germany
Telephone: 49 (0)7131 67 2831, Fax number: 49 (0)7131 67 2423