

DESCRIPTION

PT2262 is a remote control encoder paired with PT2272 utilizing CMOS Technology. It encodes data and address pins into a serial coded waveform suitable for RF or IR modulation. PT2262 has a maximum of 12 bits of tri-state address pins providing up to 531,441 (or 312) address codes; thereby, drastically reducing any code collision and unauthorized code scanning possibilities.

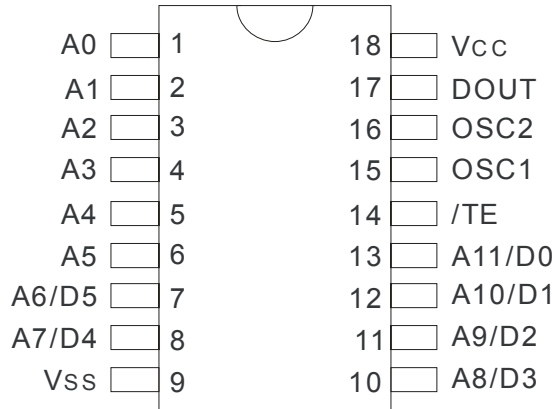
FEATURES

- CMOS Technology
- Low Power Consumption
- Very High Noise Immunity
- Up to 12 Tri-State Code Address Pins
- Up to 6 Data Pins
- Wide Range of Operating Voltage: $V_{cc} = 4 \sim 15$ Volts
- Single Resistor Oscillator
- Latch or Momentary Output Type
- Available in DIP and SOP

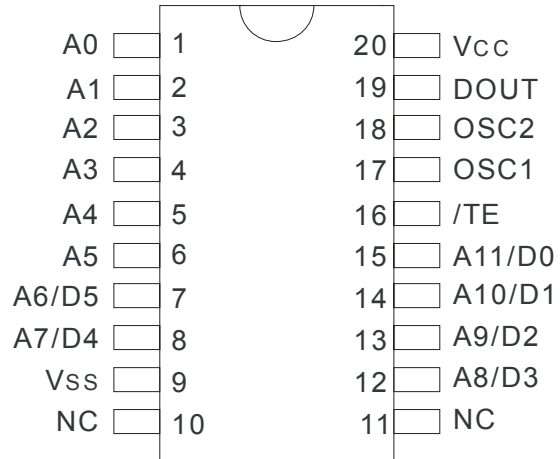
APPLICATIONS

- Car Security System
- Garage Door Controller
- Remote Control Fan
- Home Security/Automation System
- Remote Control Toys
- Remote Control for Industrial Use

PIN CONFIGURATION



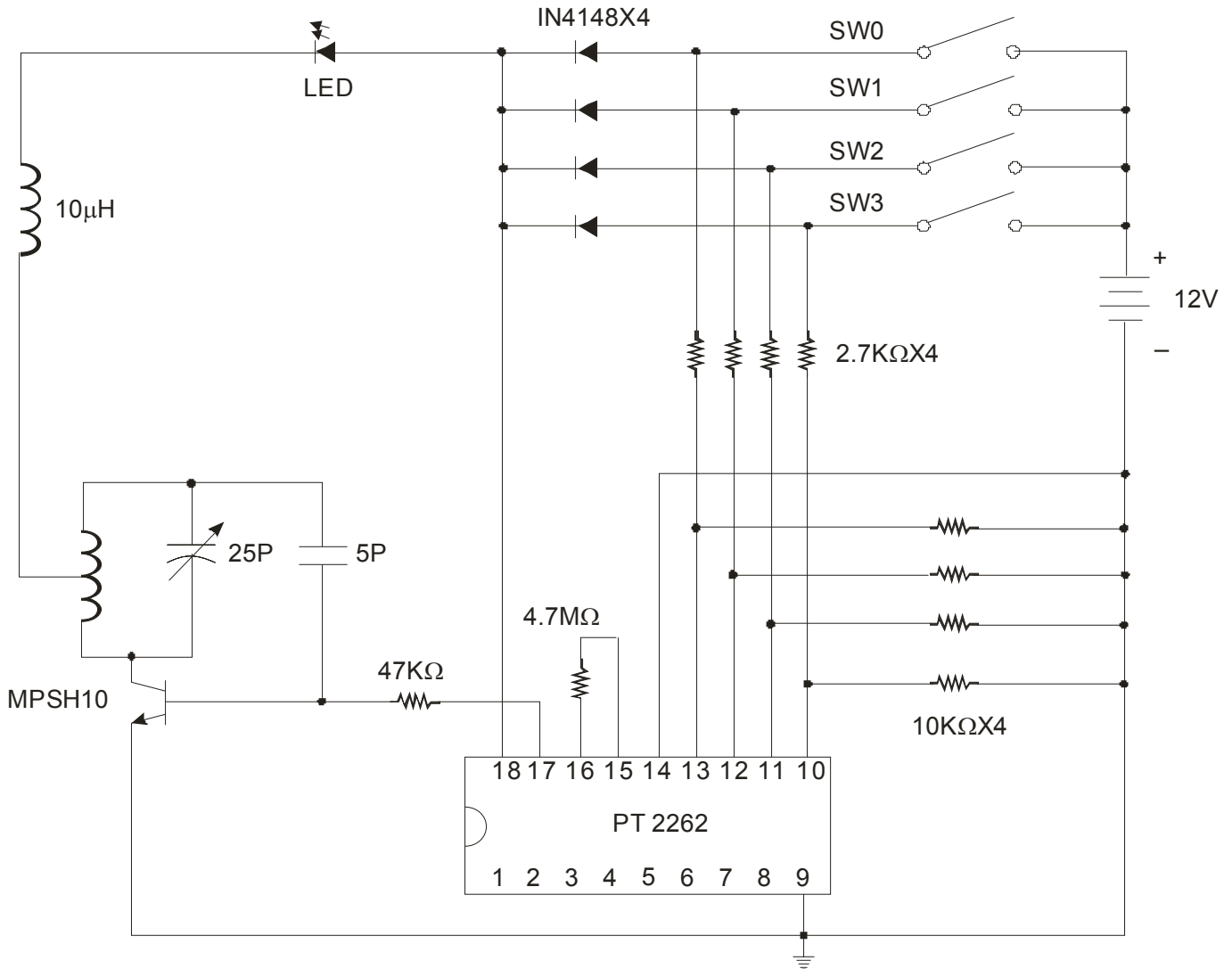
PT2262
 PT2262-IR
 PT2262-S18



PT2262S
 PT2262-IRS

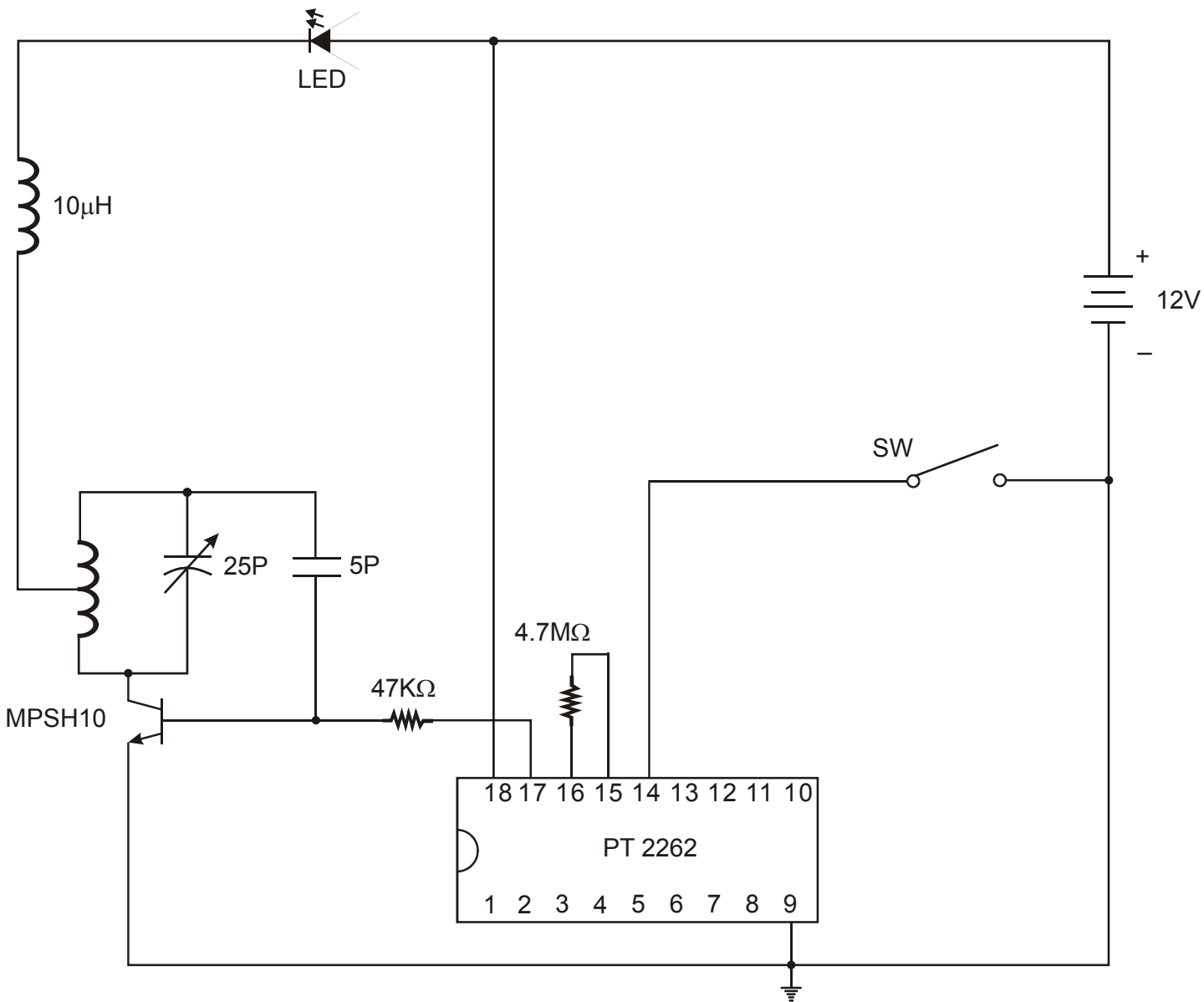
APPLICATION CIRCUIT

UHF BAND 4 DATA TRANSMITTER CIRCUIT IS RECOMMENDED

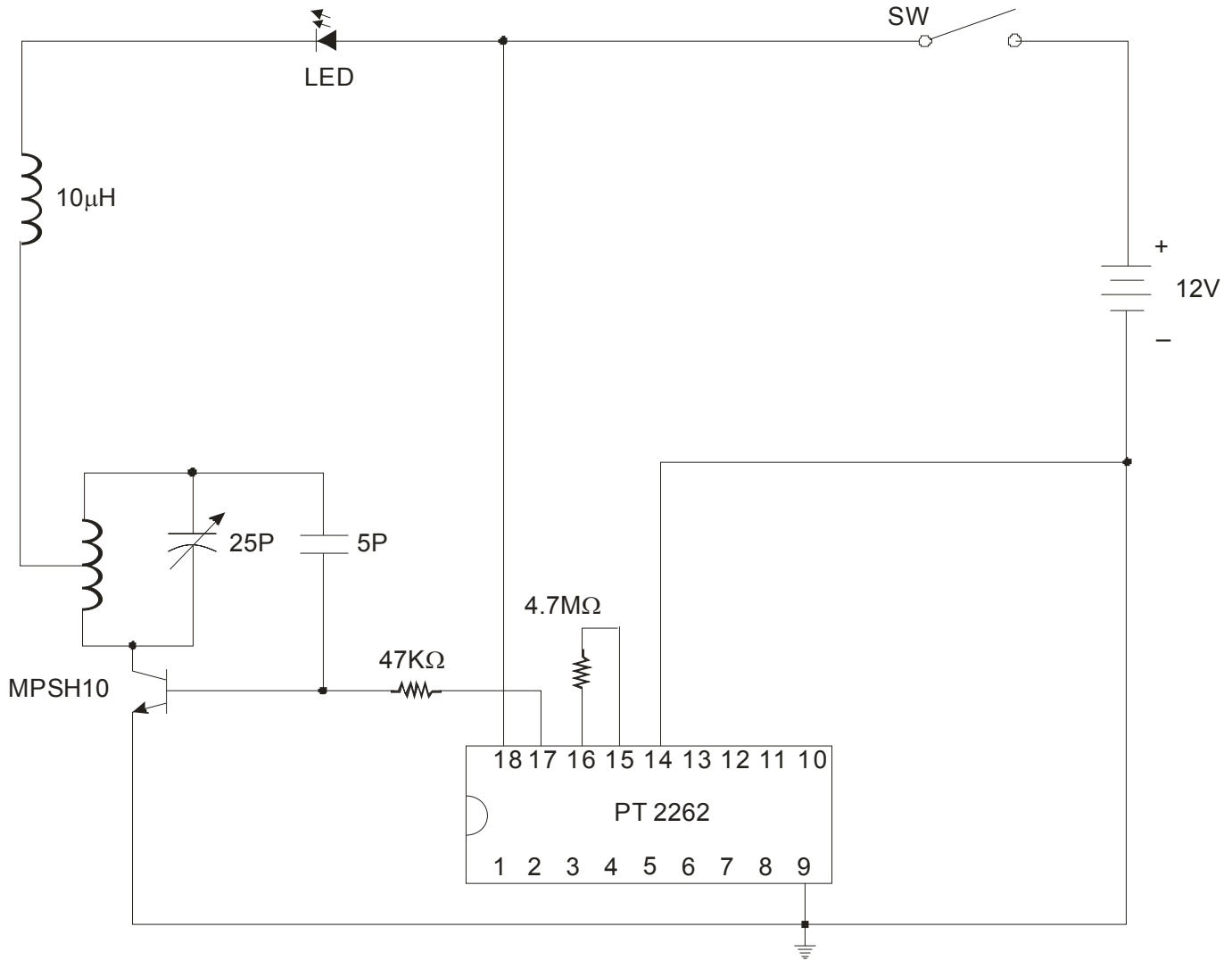


Remote Control Encoder PT2262

UHF BAND ADDRESS-ONLY (ZERO DATA) TRANSMITTER CIRCUIT IS RECOMMENDED



UHF BAND ADDRESS-ONLY (ZERO DATA) ZERO-STAND-BY TRANSMITTER CIRCUIT IS RECOMMENDED.



ORDERING INFORMATION

Order Part Number	Package Type	Top ode
PT2262	18 Pins, DIP, 300mil	PT2262
PT2262-IR	18 Pins, DIP, 300mil	PT2262-IR
PT2262-S18	18 Pins, SOP, 300mil	PT2262-S18
PT2262S	20 Pins, SOP, 300mil	PT2262-S
PT2262-IRS	20 Pins, SOP, 300mil	PT2262-IRS
PT2262 (L)	18 Pins, DIP, 300mil	PT2262
PT2262-IR (L)	18 Pins, DIP, 300mil	PT2262-IR
PT2262-S18 (L)	18 Pins, SOP, 300mil	PT2262-S18
PT2262S (L)	20 Pins, SOP, 300mil	PT2262-S
PT2262-IRS (L)	20 Pins, SOP, 300mil	PT2262-IRS

Notes:

1. (L) = Lead Free
2. The Lead Free mark is put in front of the date code.