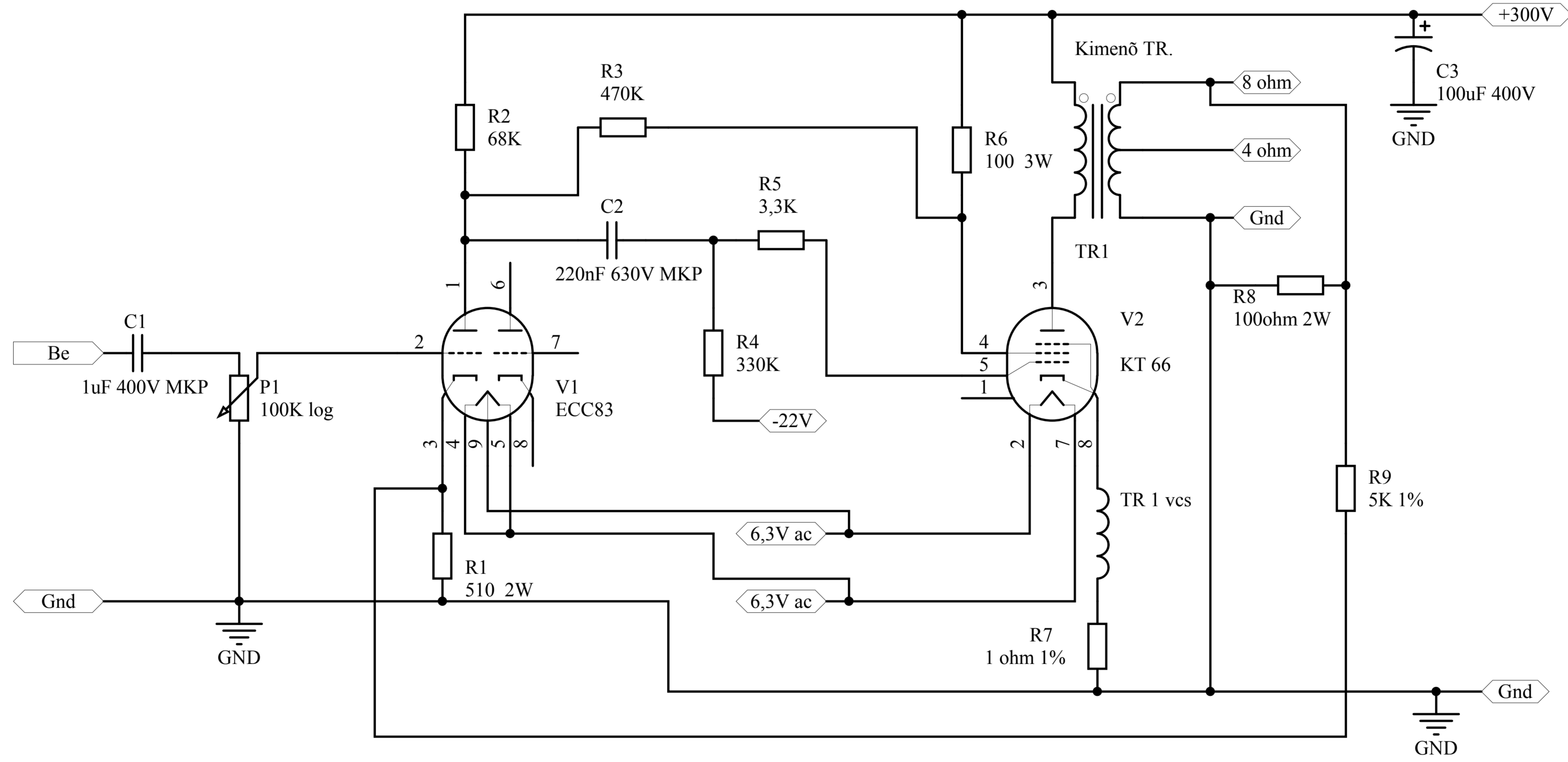


KT66/VT1075 5W Single Ended Amplifier



Title		
Size	Number	Revision
A4		
Date:	3/18/2010	Sheet of
File:	C:\Users\Luki\KT66SE.SCHDOC	Drawn By: