

6

5

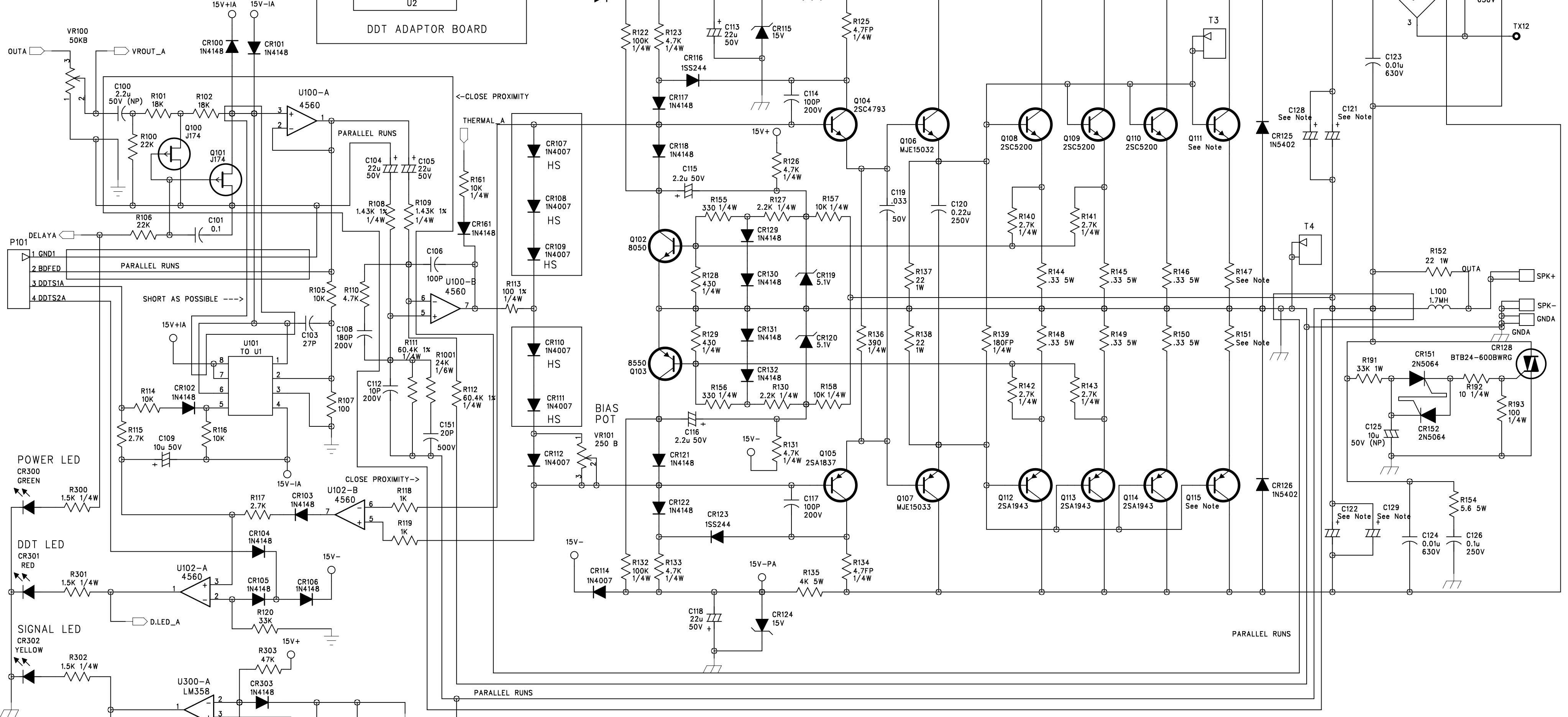
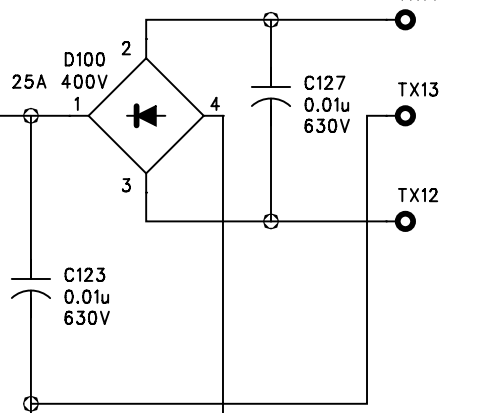
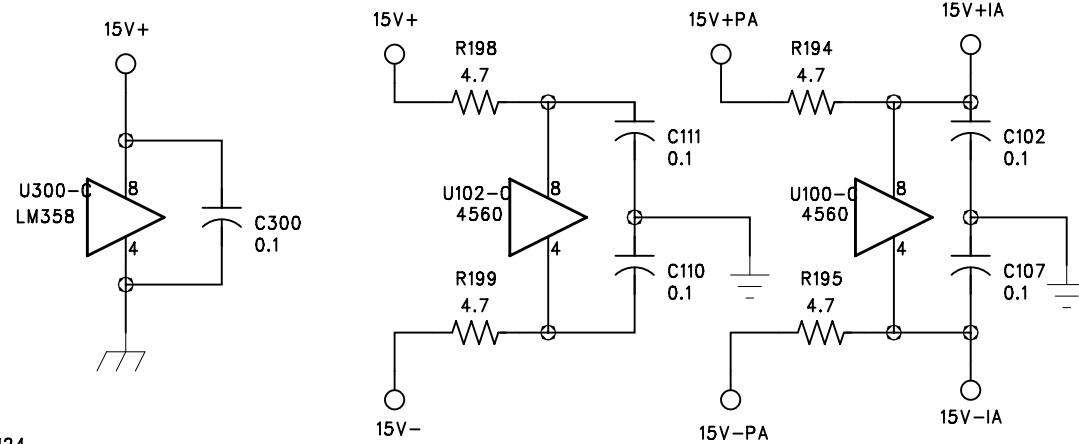
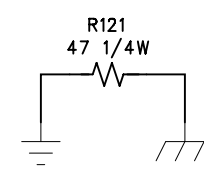
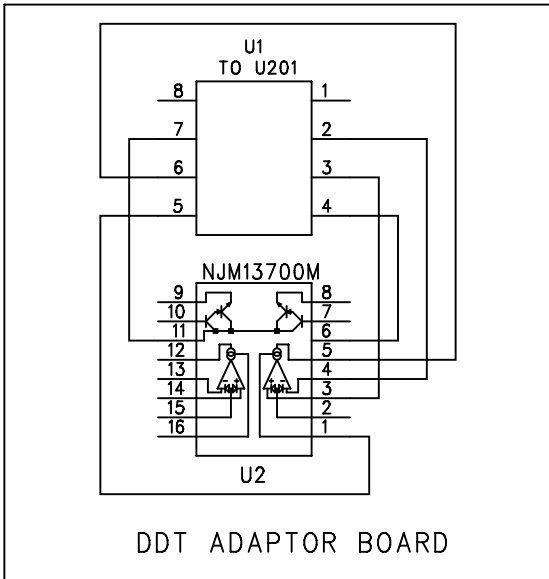
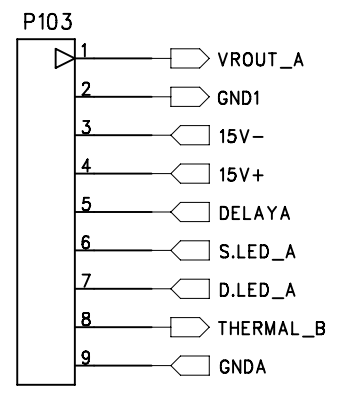
4

3

2

1

REVISION RECORD			
LTR	ECO NO:	APPROVED:	DATE:



Note:

C121	C122	4700u/80V	3300u/100V
C128	C129	N.I.	3300u/100V
Q111		N.I.	2SC5200
Q115		N.I.	2SA1943
R147	R151	N.I.	.33 5W

COMPANY: Crest Audio Inc.

TITLE: CPX900/1500 POWER AMPLIFIER (CH. A)

CODE:	SIZE:	DRAWING NO:	REV:
CPX-1500			A

SCALE: SHEET: 2 OF 4

DRAWN:	DATED:
CHECKED:	DATED:
QUALITY CONTROL:	DATED:
RELEASED:	DATED:

D

C

B

A

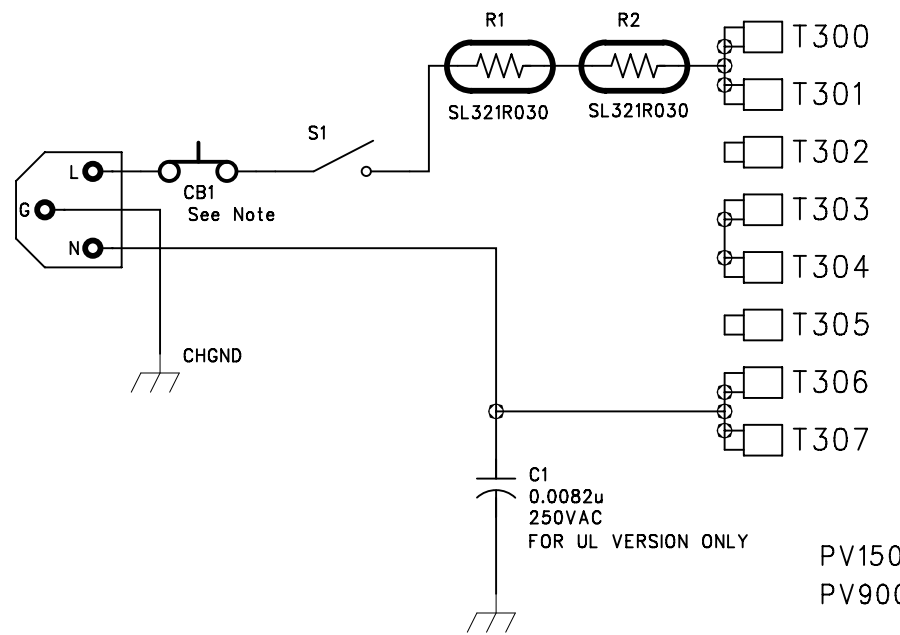
D

C

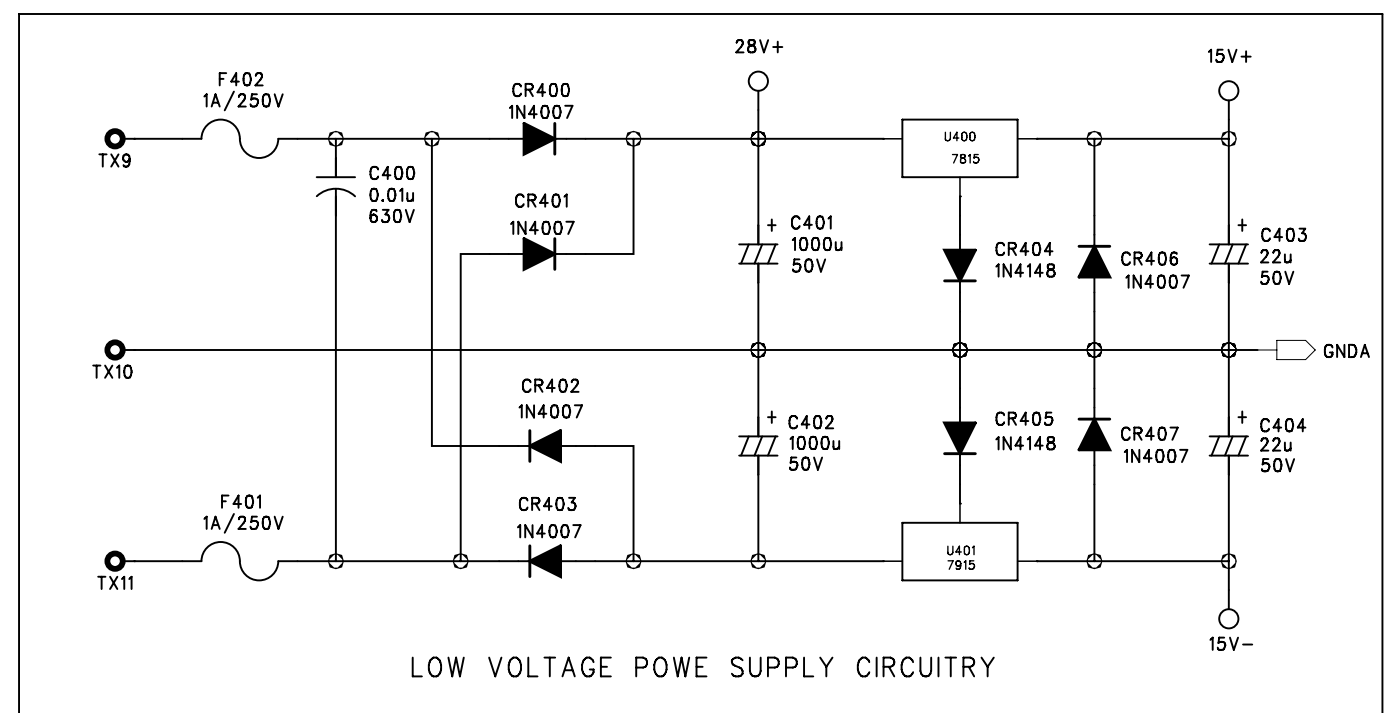
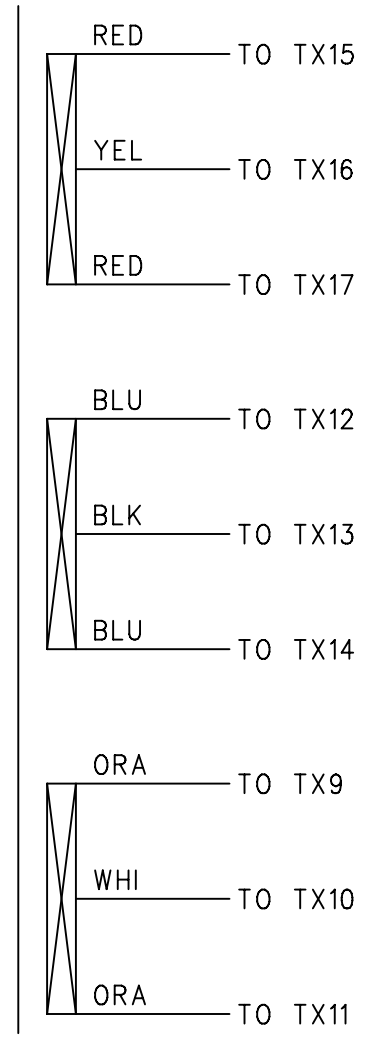
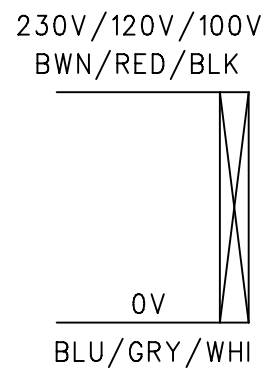
B

A

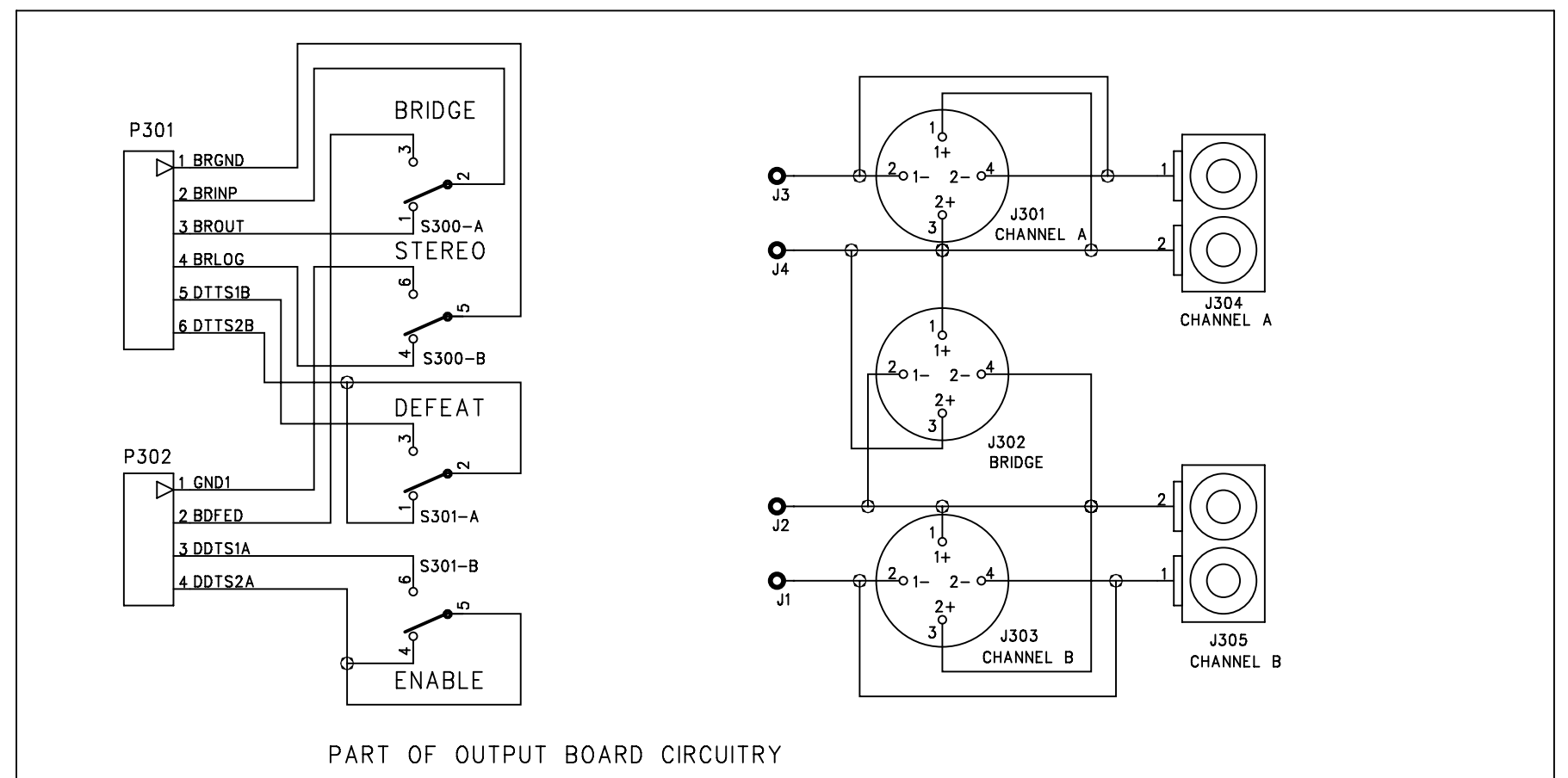
REVISION RECORD			
LTR	ECO NO:	APPROVED:	DATE:



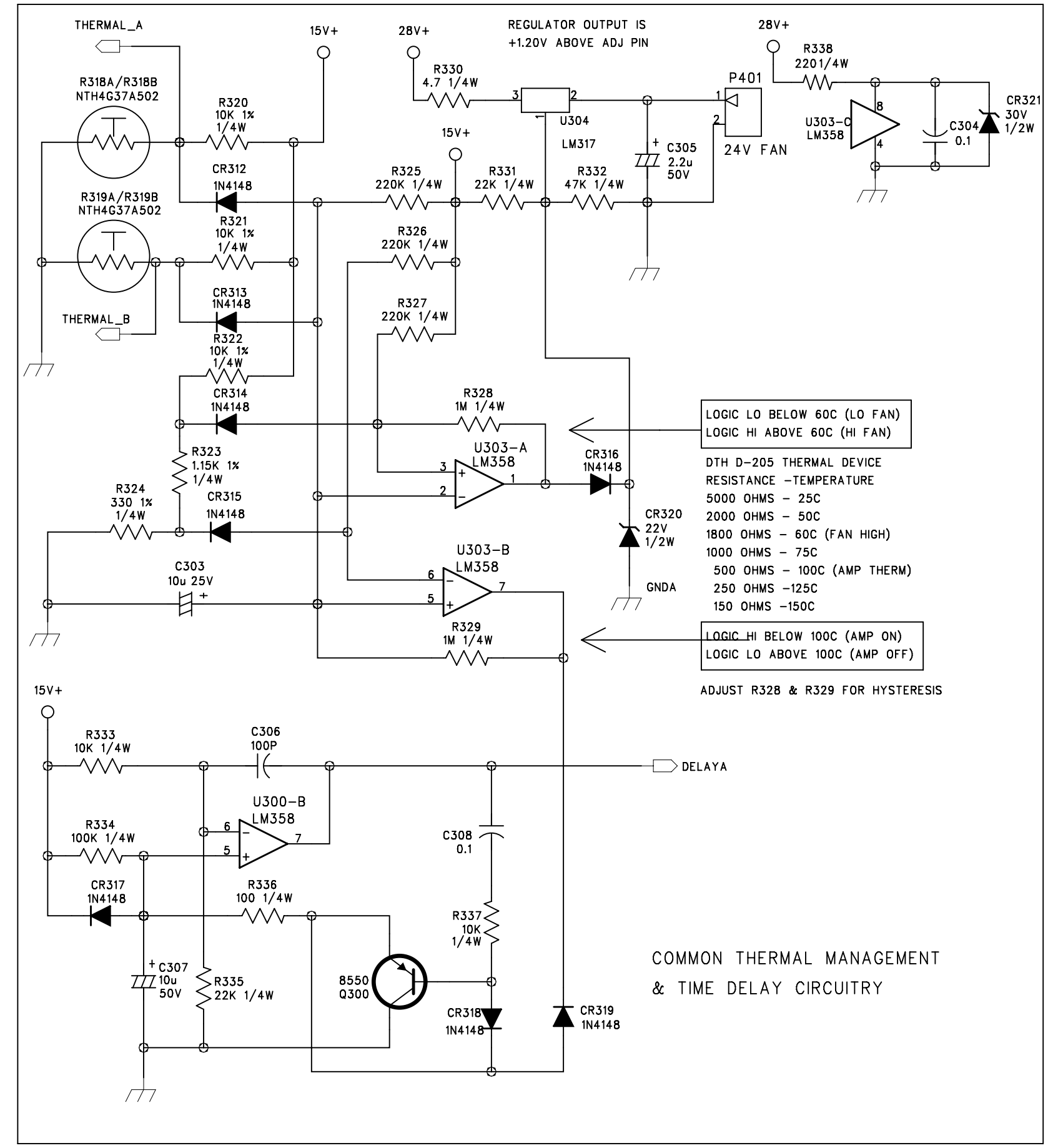
MAINS SELECT		
230V	120V	100V
PRIMARY LEADS		
BWN	RED	BLK
-	-	-
-	-	-
-	-	-
-	-	-
-	-	-
-	-	-
BLU	GRY	WHI
CIRCUIT BREAKER		
8A	15A	15A
5A	10A	10A
SURGE LIMITER		
30A	30A	30A
2X1 ohm	1 ohm	1 ohm



LOW VOLTAGE POWE SUPPLY CIRCUITRY



PART OF OUTPUT BOARD CIRCUITRY



LOGIC LO BELOW 60C (LO FAN)
LOGIC HI ABOVE 60C (HI FAN)

DTH D-205 THERMAL DEVICE
RESISTANCE - TEMPERATURE
5000 OHMS - 25C
2000 OHMS - 50C
1800 OHMS - 60C (FAN HIGH)
1000 OHMS - 75C
500 OHMS - 100C (AMP THERM)
250 OHMS -125C
150 OHMS -150C

LOGIC_HI BELOW 100C (AMP ON)
LOGIC LO ABOVE 100C (AMP OFF)

ADJUST R328 & R329 FOR HYSTERESIS

COMMON THERMAL MANAGEMENT
& TIME DELAY CIRCUITRY

COMPANY: Crest Audio Inc.			
TITLE: CPX900/1500 POWER AMP (OUTPUT, POWER SUPPLY, COMMON THERMAL MANAGEMENT & TIME DELAY CIRCUITRY)			
CODE:	SIZE:	DRAWING NO:	REV:
CPX-1500			A
SCALE:			SHEET: 4 OF 4

DRAWN:	DATED:
CHECKED:	DATED:
QUALITY CONTROL:	DATED:
RELEASED:	DATED:

6

5

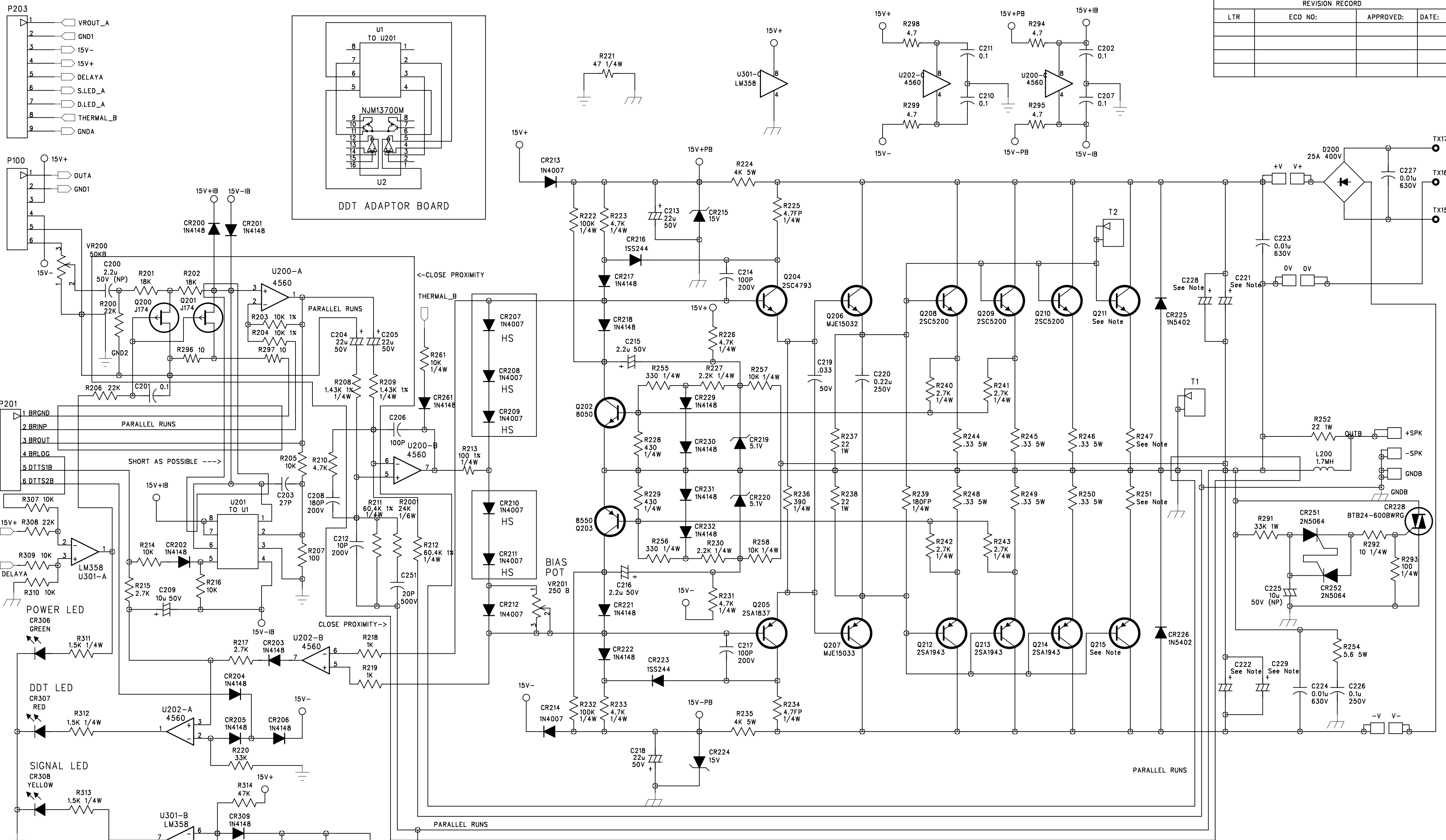
4

3

2

1

REVISION RECORD			
LTR	ECO NO:	APPROVED:	DATE:



D

D

C

C

B

B

A

A

Note:

C221	C222	4700u/80V	3300u/100V
C228	C229	N.I.	3300u/100V
Q211	N.I.	N.I.	2SC5200
Q215	N.I.	N.I.	2SA1943
R247	R251	N.I.	.33 5W

COMPANY: Crest Audio Inc.

TITLE: CPX900/1500 POWER AMPLIFIER (CH. B)

CODE:	SIZE:	DRAWING NO:	REV:
CPX-1500			A

SCALE: SHEET: 3 OF 4

DRAWN:	DATED:
CHECKED:	DATED:
QUALITY CONTROL:	DATED:
RELEASED:	DATED: