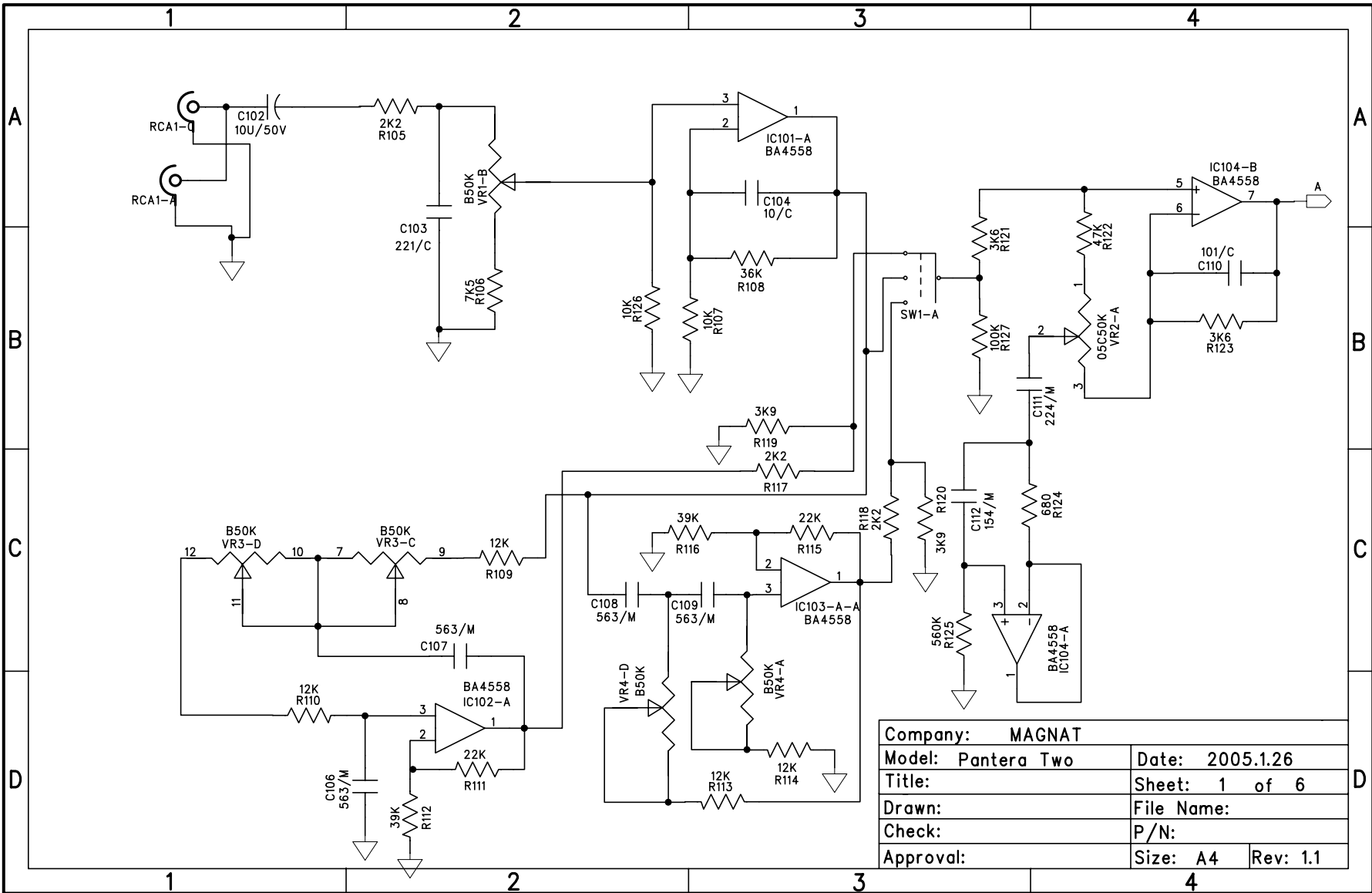


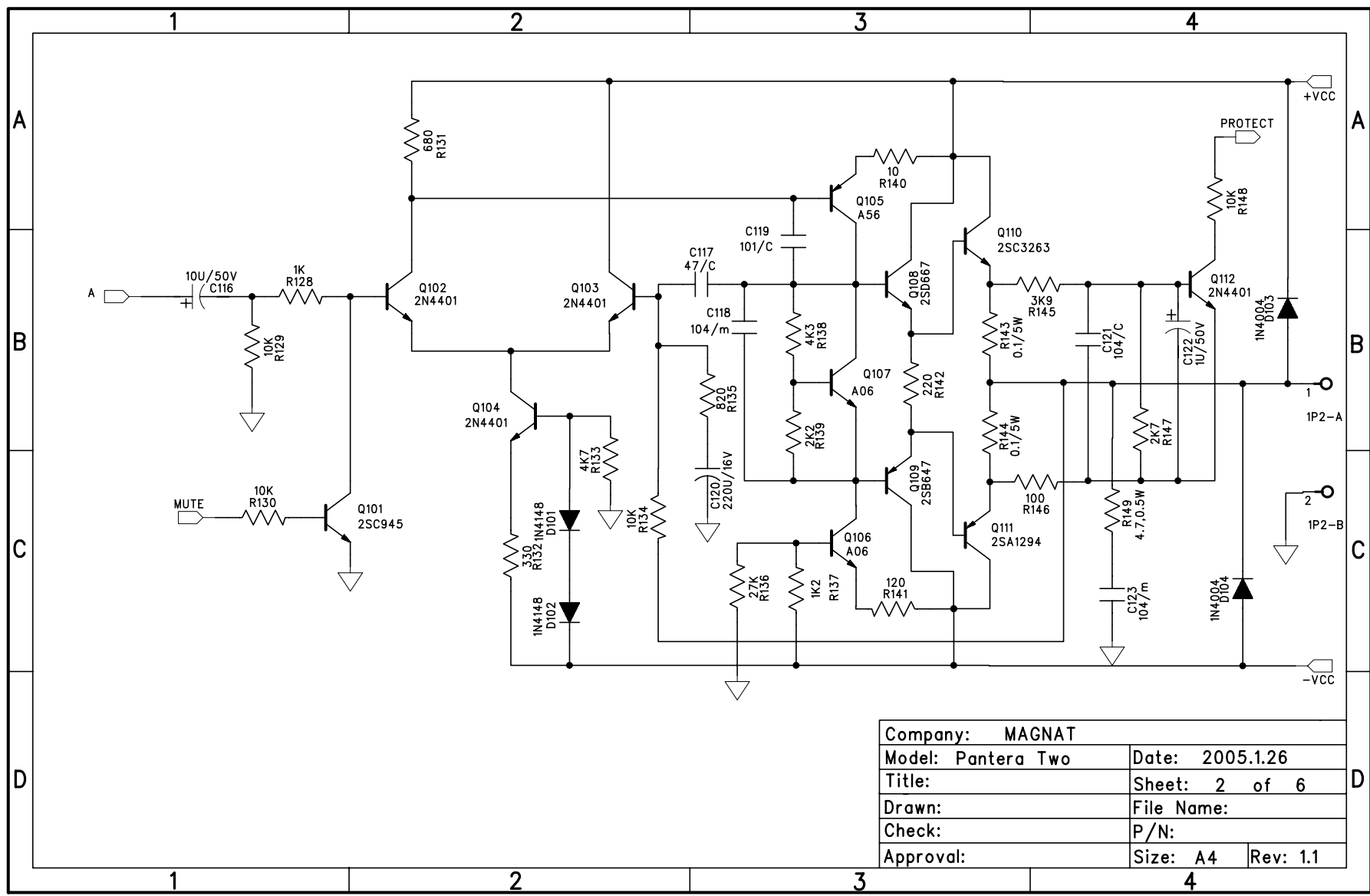


Magnet

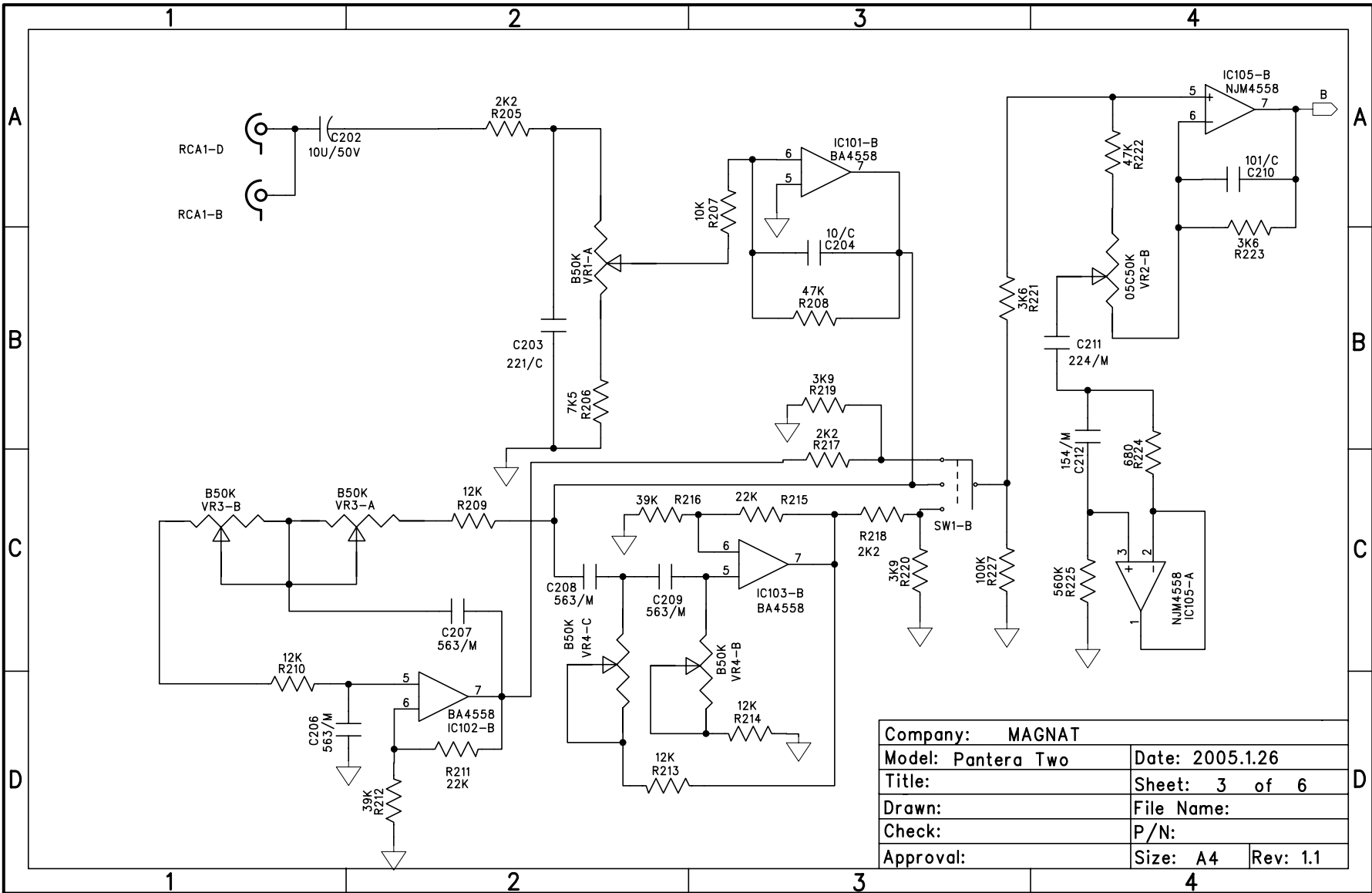
Patented Two



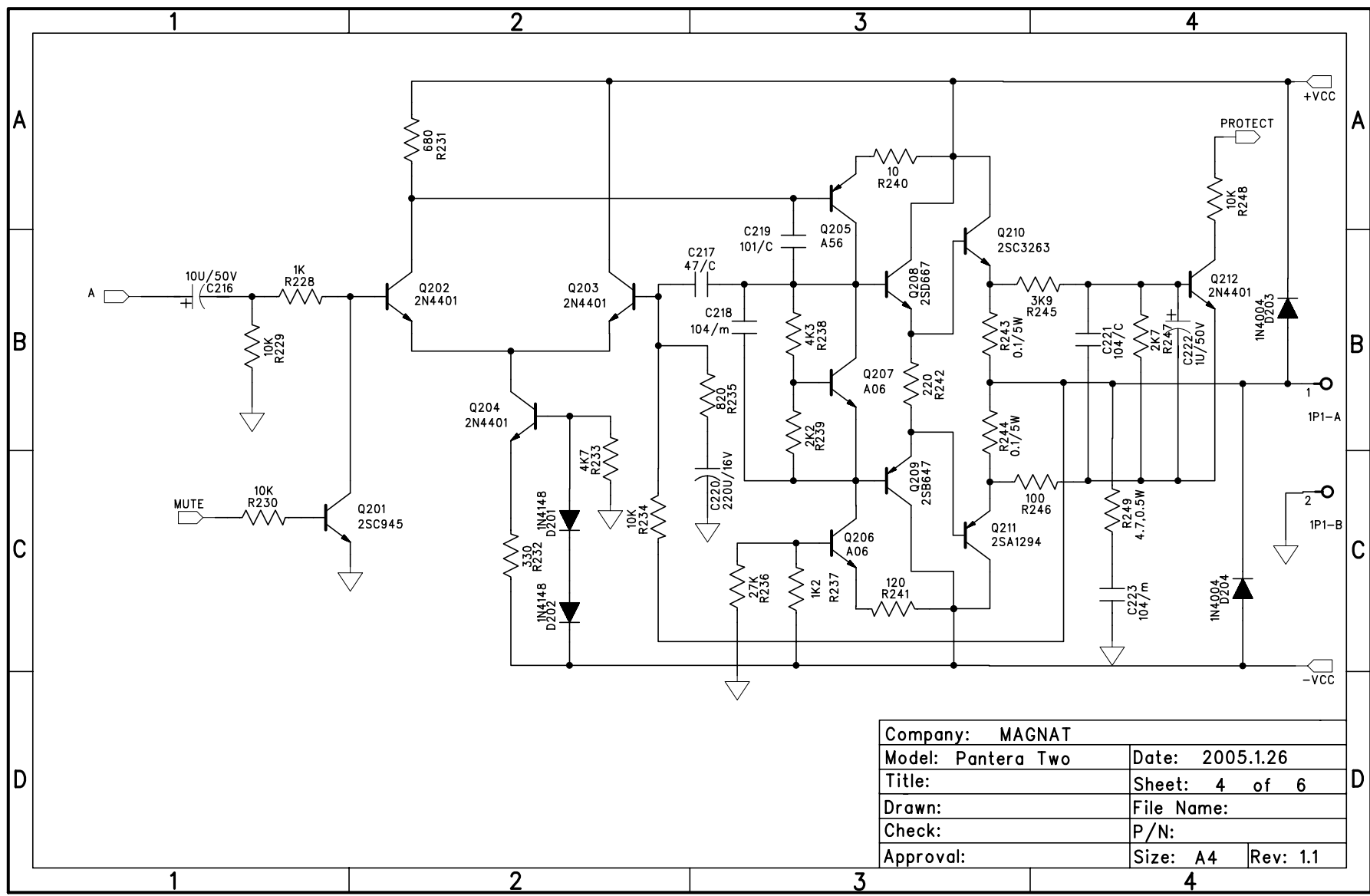
Company: MAGNAT	
Model: Pantera Two	Date: 2005.1.26
Title:	Sheet: 1 of 6
Drawn:	File Name:
Check:	P/N:
Approval:	Size: A4 Rev: 1.1



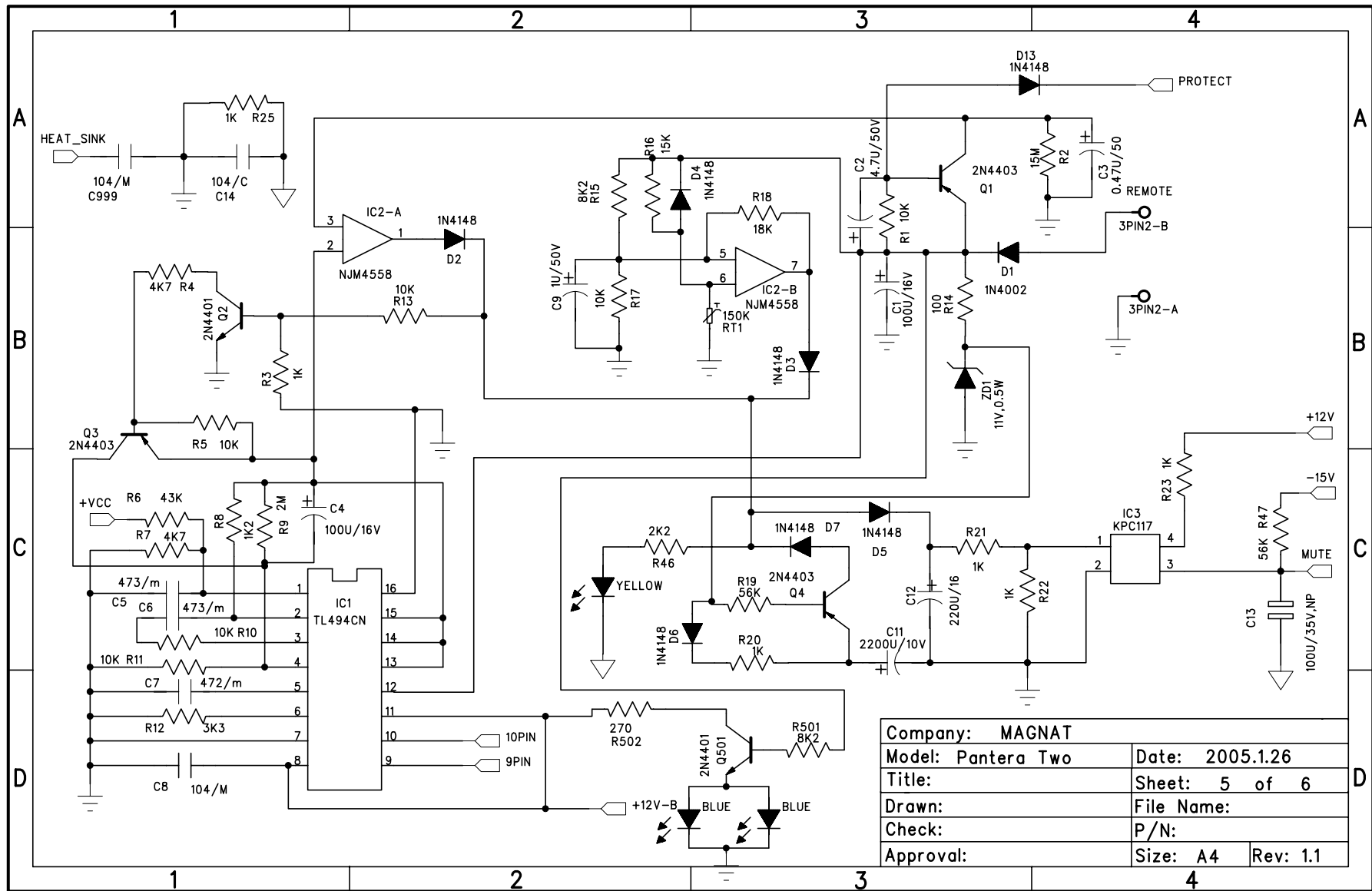
Company: MAGNAT	
Model: Pantera Two	Date: 2005.1.26
Title:	Sheet: 2 of 6
Drawn:	File Name:
Check:	P/N:
Approval:	Size: A4 Rev: 1.1

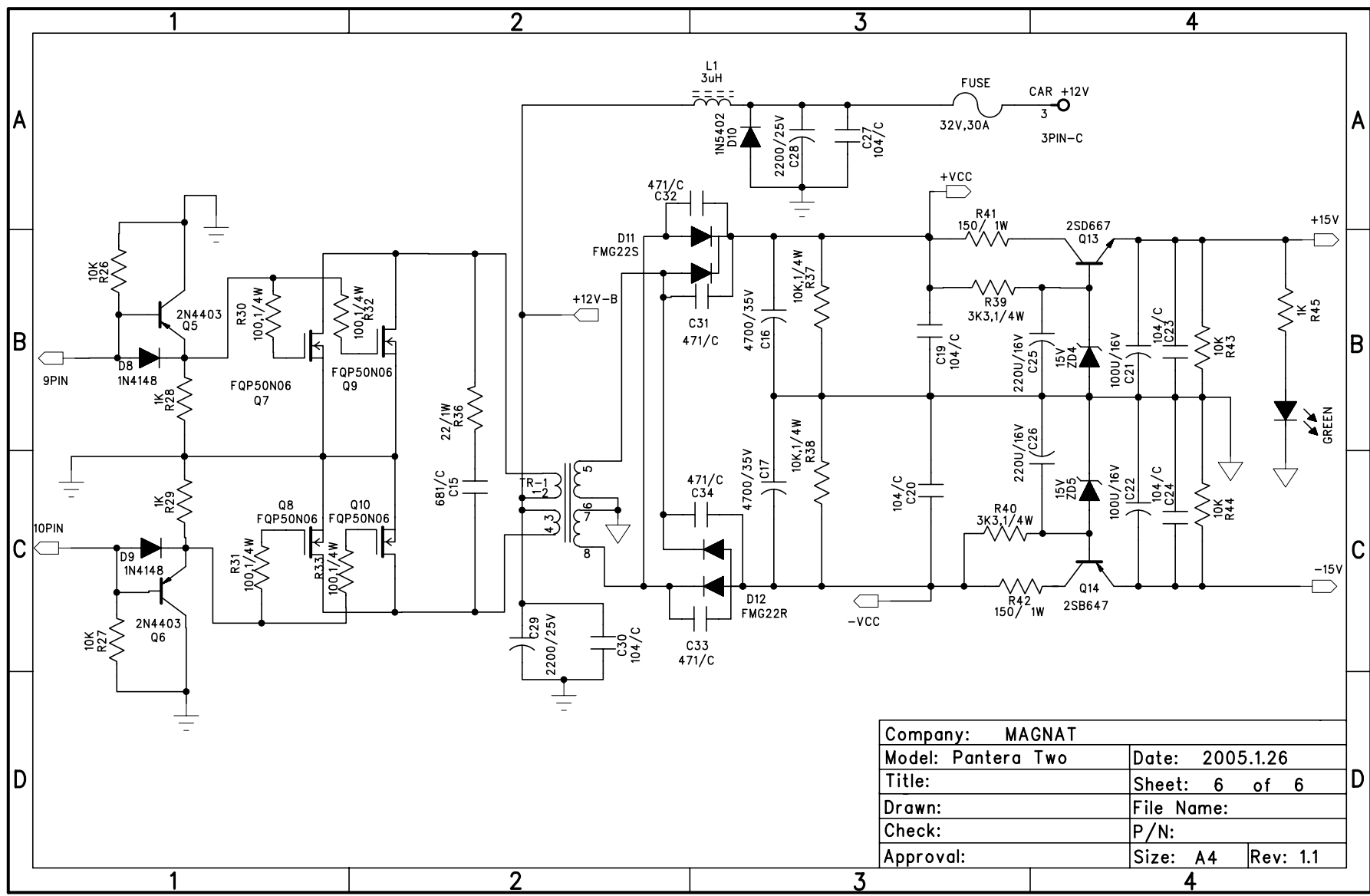


Company: MAGNAT	
Model: Pantera Two	Date: 2005.1.26
Title:	Sheet: 3 of 6
Drawn:	File Name:
Check:	P/N:
Approval:	Size: A4 Rev: 1.1

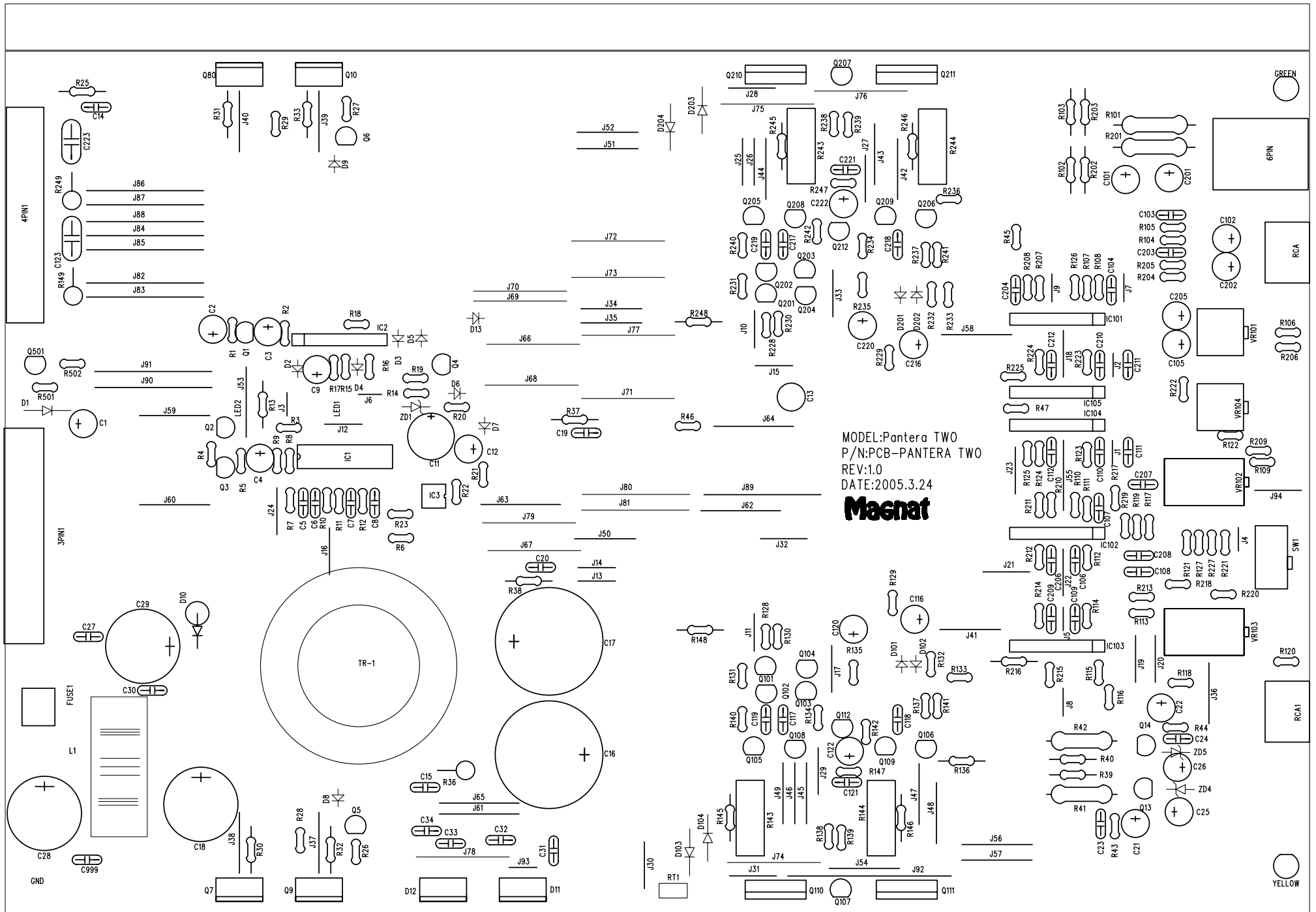


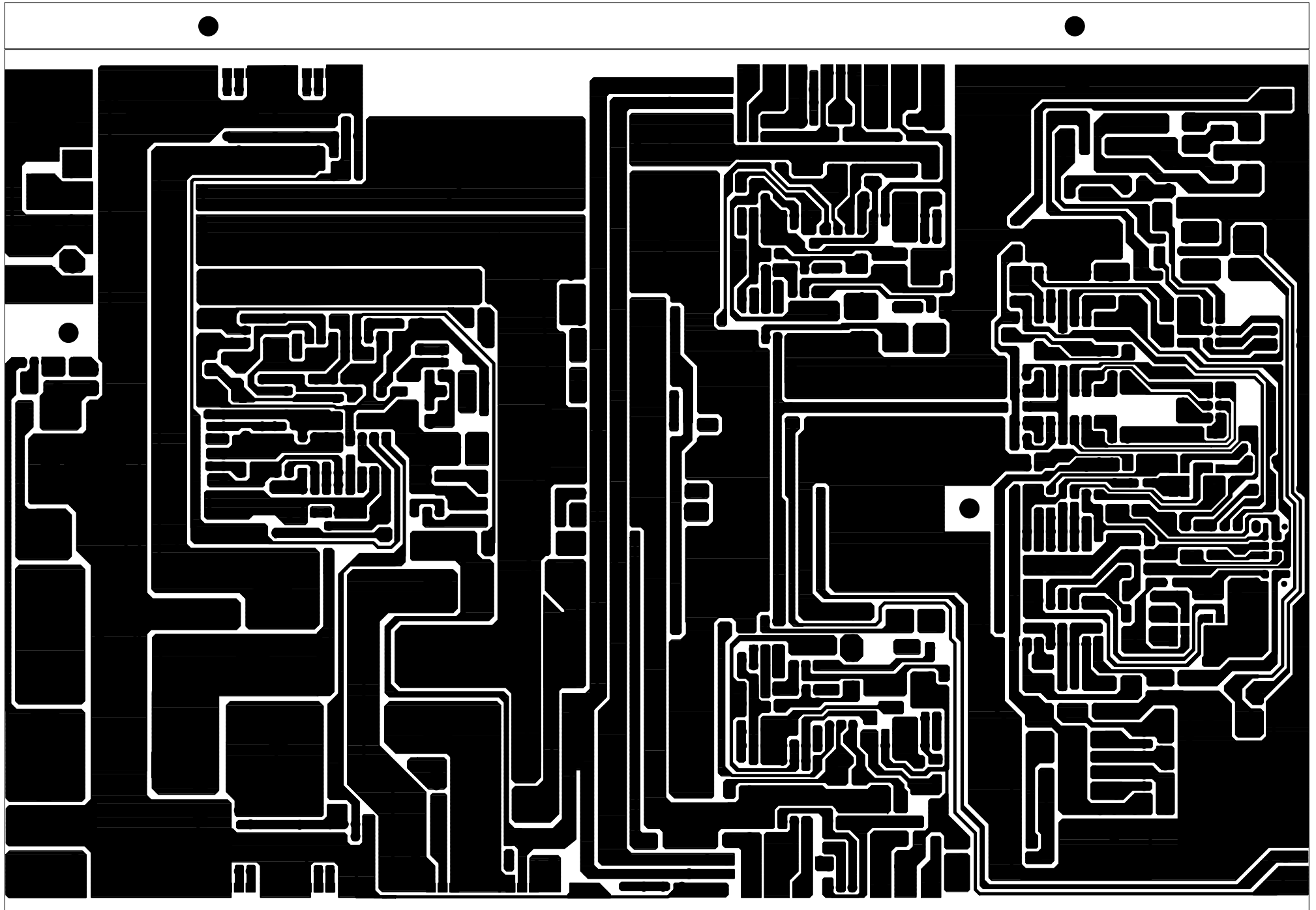
Company: MAGNAT	
Model: Pantera Two	Date: 2005.1.26
Title:	Sheet: 4 of 6
Drawn:	File Name:
Check:	P/N:
Approval:	Size: A4 Rev: 1.1

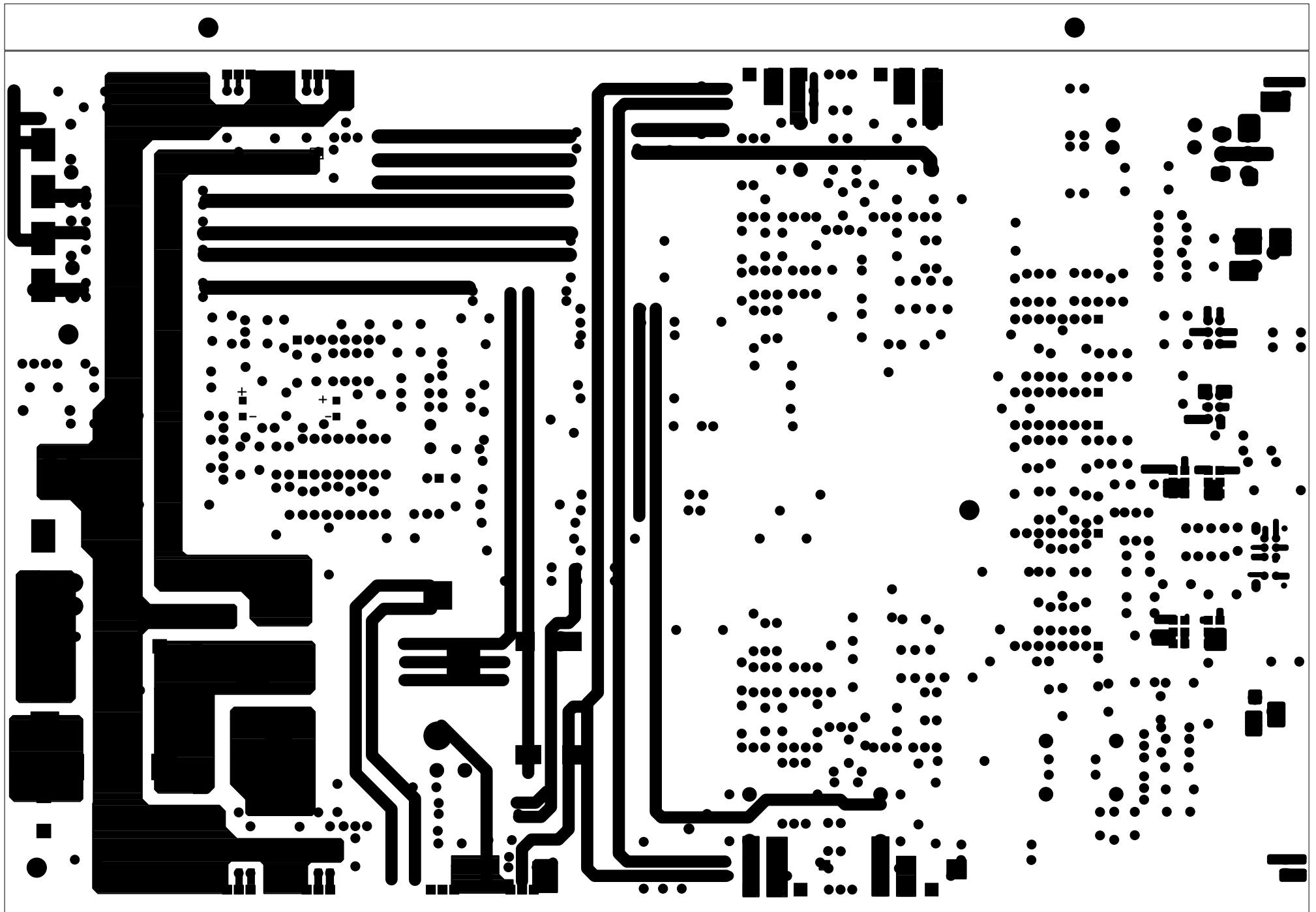




Company: MAGNAT	
Model: Pantera Two	Date: 2005.1.26
Title:	Sheet: 6 of 6
Drawn:	File Name:
Check:	P/N:
Approval:	Size: A4 Rev: 1.1







Pantera2 spare parts list					
making date:2005.01.18					
	part number	description	specification	quantity	position
0	ASY-PAN2				
1...	WZ-PAN2				
2...	PCB-JPA2851A	PCB	PCB	1	
2...	RES-CF121Y100J	Rsistor	CF 1/8W 10 ±5% 52mm	2	R140.R240
2...	RES-CF121Y101J	Rsistor	CF 1/8W 100 ±5% 52MM	3	R14.R146.R246
2...	RES-CF121Y121J	Rsistor	CF 1/8W 120 ±5% 52mm	2	R141.R241
2...	RES-CF121Y221J	Rsistor	CF 1/8W 220 ±5% 52MM	2	R142.R242
2...	RES-CF121Y271J	Rsistor	CF 1/8W 270 ±5% 52mm	1	R502
2...	RES-CF121Y331J	Rsistor	CF 1/8W 330 ±5% 52mm	2	R132.R232
2...	RES-CF121Y681J	Rsistor	CF 1/8W 680 ±5% 52mm	4	R124.R131.R224.R231
2...	RES-CF121Y751J	Rsistor	CF 1/8W 750 ±5% 52MM	2	R135.R235
2...	RES-CF121Y102J	Rsistor	CF 1/8W 1K ±5% 52MM	14	R3.R20~23.R25.R28~29.R45~46.R128.R147.R228.R247
2...	RES-CF121Y122J	Rsistor	CF 1/8W 1.2K ±5% 52MM	3	R8.R137.R237
2...	RES-CF121Y182J	Rsistor	CF 1/8W 1.8K ±5% 52mm	2	R106.R206
2...	RES-CF121Y202J	Rsistor	CF 1/8W 2K ±5% 52MM	2	R145.R245
2...	RES-CF121Y222J	Rsistor	CF 1/8W 2.2K ±5% 52MM	10	R26~27.R105.R117~118.R139.R205.R217~218.R239
2...	RES-CF121Y302J	Rsistor	CF 1/8W 3K ±5% 52MM	1	R12
2...	RES-CF121Y392J	Rsistor	CF 1/8W 3.9K ±5% 52MM	4	R119~120.R219~220
2...	RES-CF121Y432J	Rsistor	CF 1/8W 4.3K ±5% 52mm	2	R138.R238
2...	RES-CF121Y472J	Rsistor	CF 1/8W 4.7K ±5% 52MM	4	R4.R7.R133.R233
2...	RES-CF121Y822J	Rsistor	CF 1/8W 8.2K ±5% 52mm	6	R15.R121.R123.R221.R223.R501
2...	RES-CF121Y103J	Rsistor	CF 1/8W 10K ±5% 52MM	19	R1.R5.R10~11.R13.R17.R43~44.R107.R126.R129~130.R134.R148.R207.R229~230.R234.R248
2...	RES-CF121Y123J	Rsistor	CF 1/8W 12K ±5% 52MM	8	R109~110.R113~114.R209~210.R213~214
2...	RES-CF121Y183J	Rsistor	CF 1/8W 18K ±5% 52MM	1	R18
2...	RES-CF121Y203J	Rsistor	CF 1/8W 20K ±5% 52mm	1	R16

Pantera2 spare parts list					
making date:2005.01.18					
	part number	description	specification	quantity	position
2...	RES-CF121Y223J	Rsistor	CF 1/8W 22K ±5% 52mm	4	R111.R115.R211.R215
2...	RES-CF121Y273J	Rsistor	CF 1/8W 27K ±5% 52mm	2	R136.R236
2...	RES-CF121Y393J	Rsistor	CF 1/8W 39K ±5% 52MM	4	R112.R116.R212.R216
2...	RES-CF121Y433J	Rsistor	CF 1/8W 43K ±5% 52MM	1	R6
2...	RES-CF121Y473J	Rsistor	CF 1/8W 47K ±5% 52mm	3	R108.R122.R222
2...	RES-CF121Y563J	Rsistor	CF 1/8W 56K ±5% 52MM	3	R19.R47.R208
2...	RES-CF121Y564J	Rsistor	CF 1/8W 560K ±5% 52mm	2	R125.R225
2...	RES-CF121Y205J	Rsistor	CF 1/8W 2M ±5% 52mm	1	R9
2...	RES-CF121Y475J	Rsistor	CF 1/8W 4.7M ±5% 52mm	1	R2
2...	RES-CF251Y101J	Rsistor	CF 1/4W 100 ±5% 52MM	4	R30~33
2...	RES-CF251Y682J	Rsistor	CF 1/4W 6.8K ±5% 52mm	2	R39~40
2...	RES-CF251Y103J	Rsistor	CF 1/4W 10K ±5% 52mm	2	R37~38
2...	RES-CF501Y4R7J	Rsistor	CF 1/2W 4.7 ±5% 52mm	2	R149.R249
2...	ECT-050V105MD	electrolyte cap	1UF/50V 5*11 ±20% 85	3	C9.C122.C222
2...	ECT-025V155MD	electrolyte cap	1.5uF/25V 5*11 ±20% 85	1	C3
2...	ECT-050V475MD	electrolyte cap	4.7UF/50V 5*11 ±20% 85	1	C2
2...	ECT-050V106MD	electrolyte cap	10uF/50V 5*11 ±20% 85	4	C102.C116.C202.C216
2...	ECT-016V107MD	electrolyte cap	100uF/16V 5*11 ±20% 85	4	C1.C4.C21~22
2...	ECT-025V107MB	electrolyte cap	100uF/25V 8*11 ±20% NP 85	1	C13
2...	ECT-016V227MD	electrolyte cap	220UF/16V 6.3*11 ±20% 85	5	C12.C25~26.C120.C220
2...	ECT-050V100KT	ceramic elec. cap	10pF/50V ±10%	2	C104.C204
2...	ECT-050V470KT	ceramic elec. cap	47PF/50V ±10%	2	C117.C217
2...	ECT-050V101KT	ceramic elec. cap	100pF/50V ±10%	4	C110.C119.C210.C219
2...	ECT-050V331KT	ceramic elec. cap	330pF/50V ±10%	2	C103.C203
2...	ECT-050V471KT	ceramic elec. cap	470PF/50V ±10%	4	C31~34
2...	ECT-050V681KT	ceramic elec. cap	680pF/50V ±10%	1	C15
2...	ECT-050V104KT	ceramic elec. cap	0.1UF/50V ±10%	9	C14.C19~20.C23~24.C27.C30.C121.C221
2...	ECT-063V563DM	MET elec. cap	0.056uF/63V 7.5x6.5x2.5 ±5%	8	C106~109.C206~209
2...	ECT-063V104DM	MET elec. cap	0.1uF/63V 7.5x6.5x2.5 ±5%	2	C8.C999

Pantera2 spare parts list					
making date:2005.01.18					
	part number	description	specification	quantity	position
2...	ECT-063V154DM	MET elec. cap	0.15uF/63V 7.5x6.5x2.5 ±5%	2	C112.C212
2...	ECT-063V224DM	MET elec. cap	0.22uF/63V 7.5x6.5x2.5 ±5%	2	C111.C211
2...	ECT-100V472DS	plastic elec. cap	4700PF/100V 5*11.2 ±5%	1	C7
2...	ECT-100V473DS	plastic elec. cap	0.047uF/100V 8.5x12.4 ±5%	2	C5~6
2...	ECT-100V104DS	plastic elec. cap	0.1uF/100V 10*12.6 ±5%	2	C123.C223
2...	DIO-1N4004	diode	1N4004	5	D1.D103~104.D203.D304
2...	DIO-1N4148	diode	1N4148	13	D2~9.D13.D101~102.D201~202
2...	ZD-1N5241B	regulate diode	1/2W 11V 1N5241B	1	ZD1
2...	ZD-1N5245B	regulate diode	1/2W 15V 1N5245B	2	ZD4~5
2...	TRA-2N4401	TRS	2N4401	10	Q2.Q102~104.Q112.Q202~204.Q212.Q501
2...	TRA-2N4403	TRS	2N4403	5	Q1.Q3~6
2...	TRA-A06	TRS	A06	2	Q106.Q206
2...	TRA-A56	TRS	A56	2	Q105.Q205
2...	WIR-050R6	JUMP	- =0.6, L=5	8	J1~6.C105.C205
2...	WIR-060R6	JUMP	- =0.6, L=6	4	J7~9.J93
2...	WIR-080R6	JUMP	- =0.6, L=8	6	J10~15
2...	WIR-100R6	JUMP	- =0.6, L=10	18	J16~33
2...	WIR-130R6	JUMP	- =0.6, L=13	19	J34~52
2...	WIR-150R6	JUMP	- =0.6, L=15	8	J53~60
2...	WIR-170R6	JUMP	- =0.6, L=17	5	J61~65
2...	WIR-200R8	JUMP	- =0.8, L=20	14	J66~79
2...	WIR-230R8	JUMP	- =0.8, L=23	2	J80~81
2...	WIR-250R8	JUMP	- =0.8, L=25	10	J82~91
2...	WIR-350R8	JUMP	- =0.8, L=35mm	1	J92
1...	WS-PAN2				
2...	RES-MO102P220J	metal oxidation elec.r	MOF 1W 22 ±5%	1	R36
2...	RES-MO102P151J	metal oxidation elec.r	MOF 1W 150 ±5%	2	R41~42
2...	RES-CEM502NR10K	cement resistor	CEM 5W 0.1 ±10% 16*8.7*18	4	R143~144.R243~244
2...	ECT-010B228MD	electrolyte cap	2200uF/10V 10*20 ±20% 85	1	C11

Pantera2 spare parts list					
making date:2005.01.18					
	part number	description	specification	quantity	position
2...	ECT-025B228ME	electrolyte cap	2200uF/25V 16*26 ±20% 105	2	C28~29
2...	ECT-035B338MD	electrolyte cap	3300uF/35V 18*24 ±20% 85	2	C17.C1600
2...	TRR-38614001	Transformer	- 38 6:14	1	TR-1
2...	IND-3U1R8H1	inductance	- 1.8mm 3uH		L1
2...	IC-BA4558S8P	IC	IC BA4558N SIP-8PIN	6	IC2.IC101~105
2...	IC-KIA494P	IC	IC TL494CN or KIA494P	1	IC1
2...	IC-PC17K1	IC	PC-17K1	1	IC3
2...	DIO-1N5402	diode	1N5402	1	D10
2...	TRA-2SA1294	TRA	2SA1294	2	Q111.Q211
2...	TRA-2SB647	TRA	2SB647	3	Q14.Q109.Q209
2...	TRA-2SC3263	TRA	2SC3263	2	Q110.Q210
2...	TRA-2SC945	TRA	2SC945	2	Q101.Q201
2...	TRA-2SD667	TRA	2SD667	3	Q13.Q108.Q208
2...	MOS-FQP50N06	MOS	FET/FQP50N06	4	Q7.Q9~10.Q80
2...	DIO-FMG22R	fast recovery diode	FMG-22R	1	D12
2...	DIO-FMG22S	fast recovery diode	FMG-22S	1	D11
1...	E-PAN2				
2...	LED-BLU1206	shine diode	LED(1206)	2	LED1~2
2...	LED-GRER3	shine diode	GREEN - 3 LED	1	GREEN
2...	LED-YELR3	shine diode	- 3 LED	1	YELLOW
2...	TRA-A06	TRS	A06	2	Q107.Q207-
2...	ST-3DOWHI001	ST	3P	1	3PIN
2...	ST-4DOWHI001	ST	4P	1	4PIN
2...	SW1-2P3T09001	slide switch	2P3T	1	SW1
2...	VRR-B50302S15	VRR	VR B50K	1	VR101
2...	VRR-B50304S15	VRR	VR B50K	2	VRR102~103
2...	VRR-C50K02S15	VRR	VR C50K	1	VR104
2...	RCA-JU2RWA	RCA jack	2	2	RCA1~2
2...	FUS-0430R032V	fuse	FUSE AUTO NON-TIME/32V 30A	1	

Pantera2 spare parts list					
making date:2005.01.18					
	part number	description	specification	quantity	position
2...	FUS1-JK201	fuse jack	SINGLE	1	FUSE
2...	W02-0231002	copper jump	L=23,T=1.0,H=15.5 2P	1	COP3
2...	W05-1P2207001	wire	22	1	GND
2...	ERT-154K01	ERT	NTC 150 K ±10%	1	RT1
1...	A-PAN2				
2...	HS-PAN2	Heatsink	PAN2	1	
2...	FP-PAN2	front panel	PAN2	1	
2...	RP-PAN2	back panel	PAN2	1	
2...	BRA-0300101	BAR	30*15 1	3	
2...	BRA-0420101	BAR	42*20 1	2	
2...	SIP-0352401	SIP	35*24 1	2	
2...	SIP-0482401	SIP	48*24 1	2	
2...	LOG-PAN202	LOGO	"POWER"	1	
2...	SP2R006PK	SCREW	2x6	2	
2...	SP3R004PK	SCREW	3x4	2	
2...	SP3R008PK	SCREW	3*8	15	
2...	SM4R013DWG	SCREW	4*13	5	
2...	EVA-08083T	CR SPONGE	8x8x3	2	
1...	B-PAN2				
2...	BC-JPA285	BC	JPA285	1	
2...	SP3R008FK	screw	3x8	6	
2...	ST6R060SNA	screw	6x60	4	
2...	LOG-PAN201	logo	PAN2	1	
2...	BGF-350445	BGF	350*445*0.05	1	
2...	BGF-JPA25002	BGF	JPA250	1	
2...	BGF-JPA25003	BGF	JPA250	1	
2...	BGF-JPA25004	BGF	JPA250	1	
2...	EVA-105050T5	EVA	105*5*0.5	4	
2...	EVA-08081T	EVA	8*8*1	4	

Pantera2 spare parts list					
making date:2005.01.18					
	part number	description	specification	quantity	position
2...	BOX-PAN2	BOX	PAN2	0,333	
2...	GIB-PAN2	Giftbox	PAN2	1	
2...	COW-PAN2	COW	PAN2	1	
2...	INS-PAN2	INS	PAN2	1	
2...	LAB-PAN201A	LAB	PAN2	1	
2...	LAB-PAN201L	LAB	PAN2	2	
2...	LAB-PAN201Y	LAB	PAN2	0,666	