

Function Generator-XF...

Waveforms

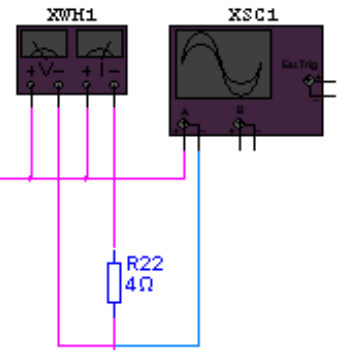
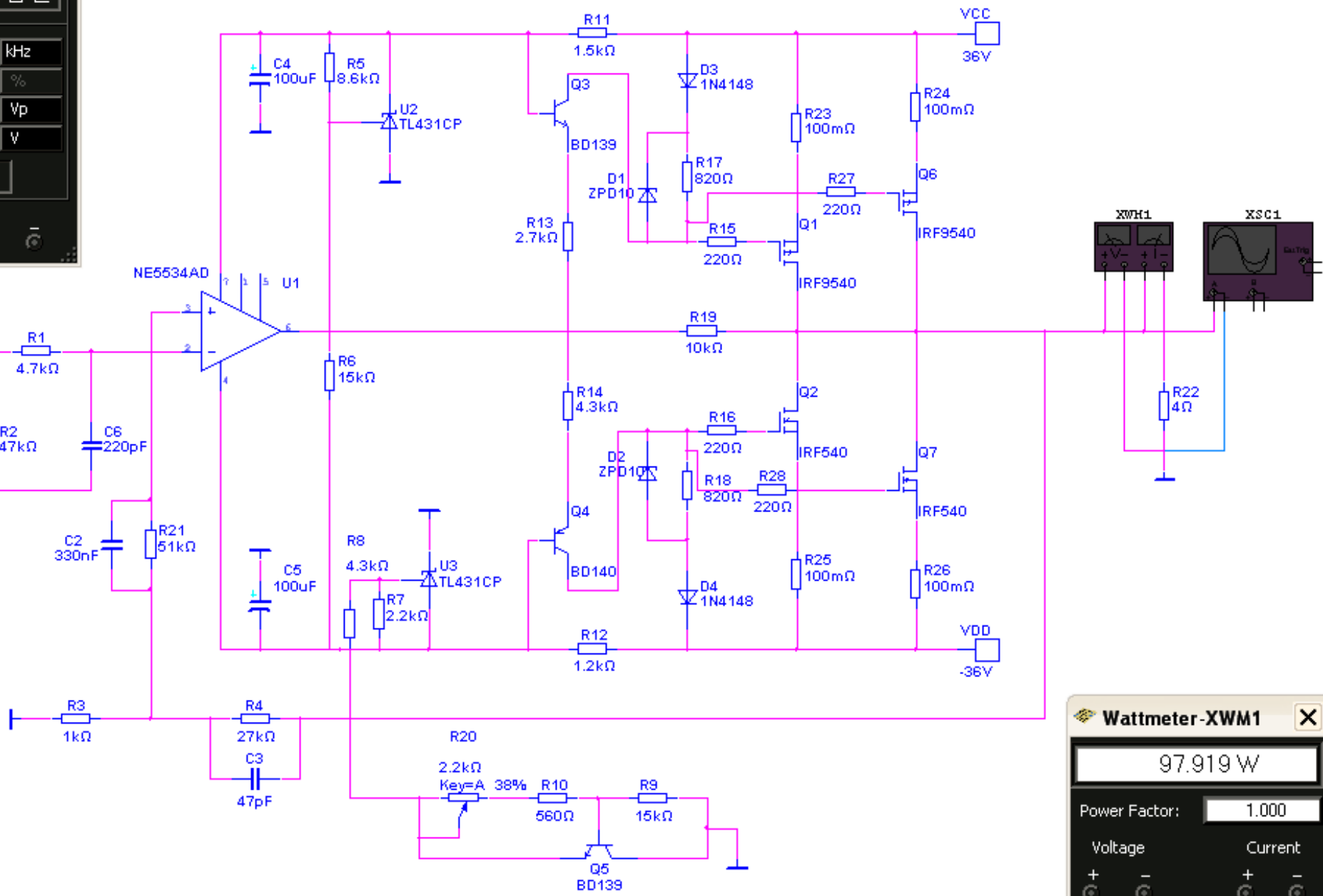
Signal Options

Frequency 1 kHz
Duty Cycle 50 %
Amplitude 1 Vp
Offset 0 V

Set Rise/Fall Time

Common

XFG1



Wattmeter-XWM1

97.919 W
Power Factor: 1.000
Voltage
Current