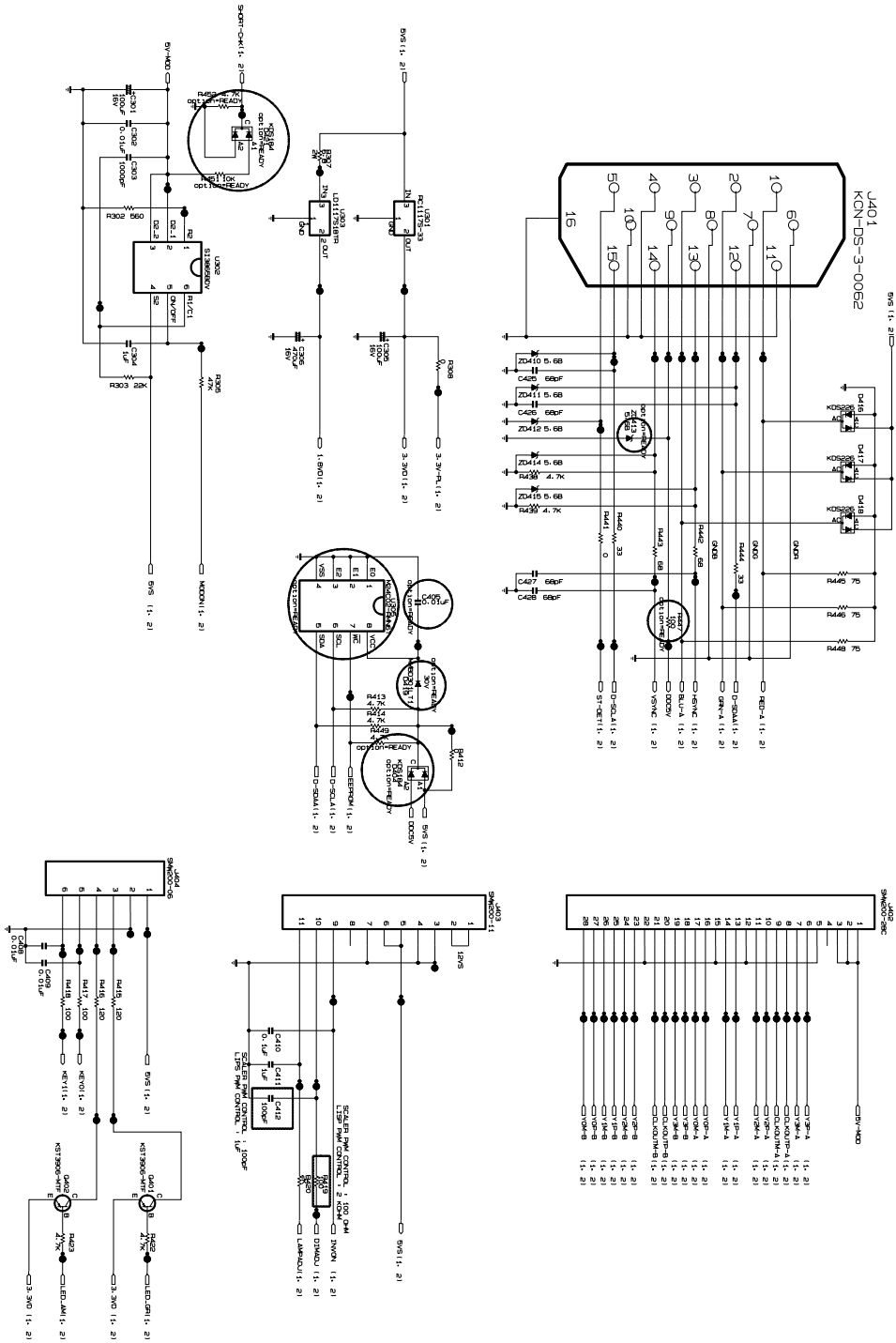
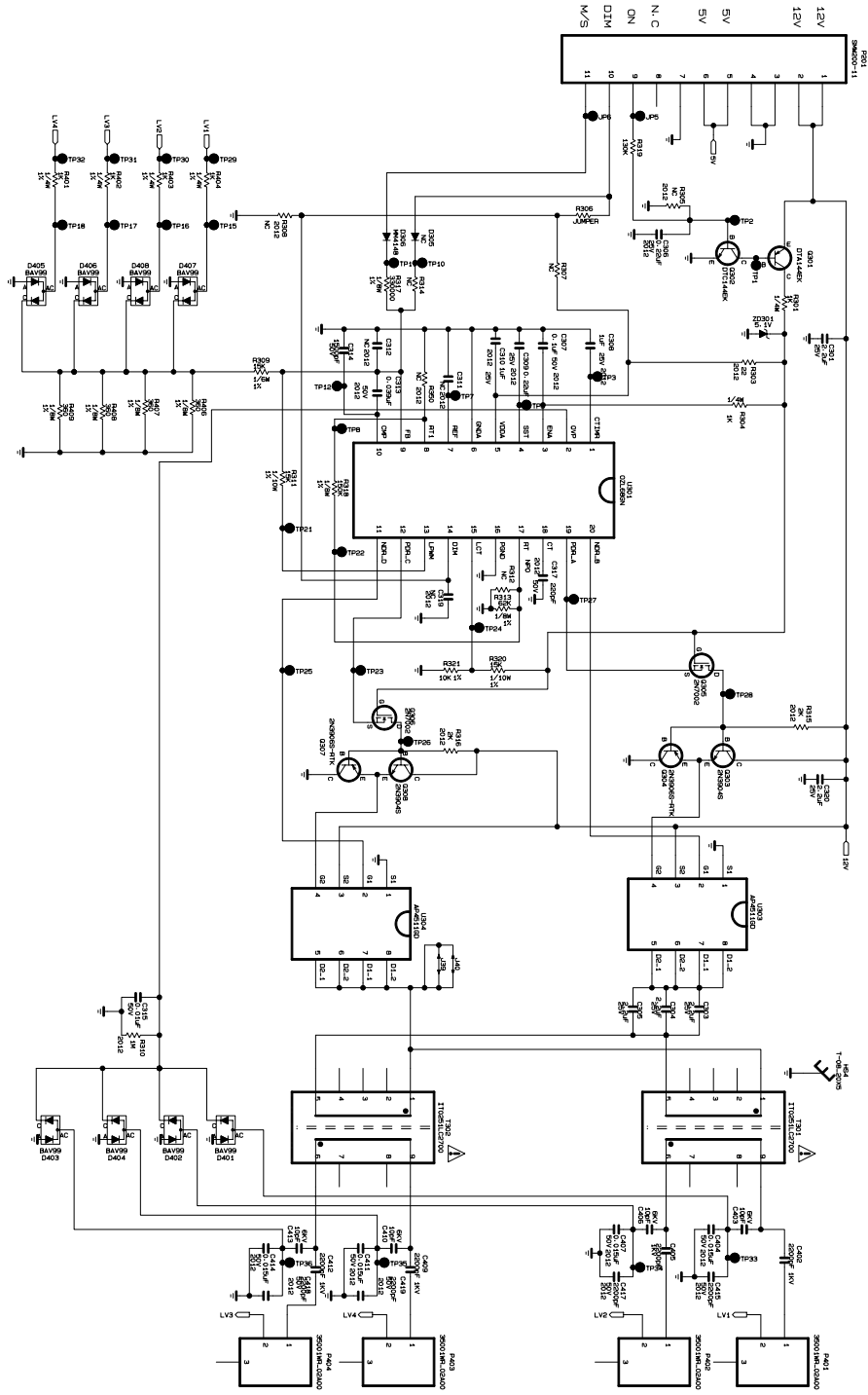




## 2. POWER & WAFER



### 3. INVERTER



# 4. POWER

