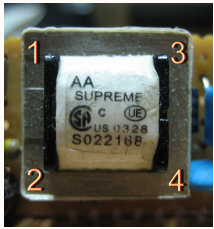


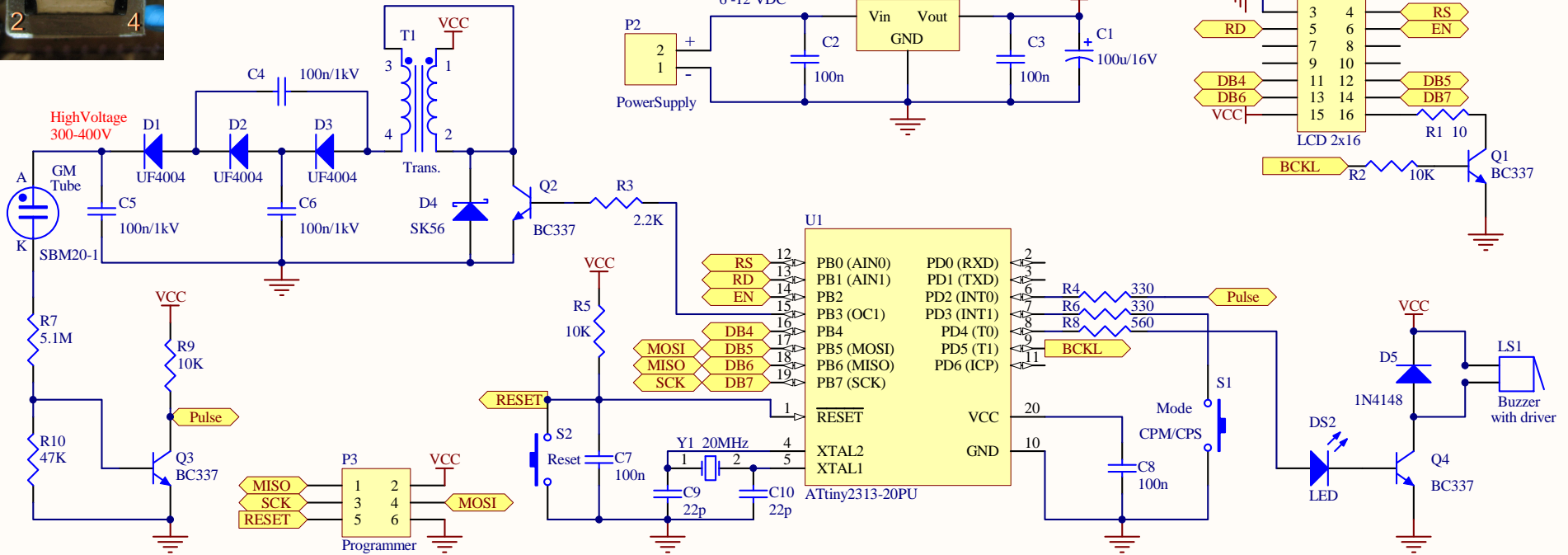
Homemade Geiger Counter and Dosimeter v1.0

www.cyberpcb.com

Build and/or use at your own risk !



T1
Removed from
PCI Fax/Modem
VPI56SPA



Creative Commons Attribution-Noncommercial-Share Alike 3.0 Unported License