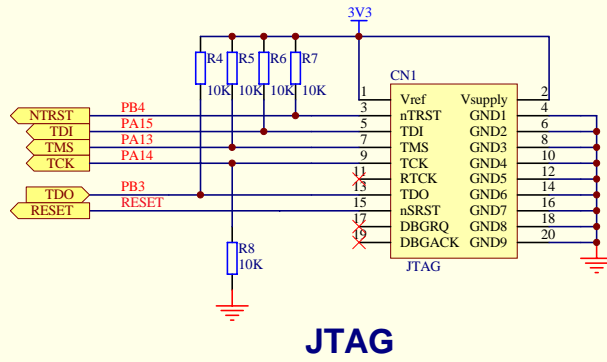
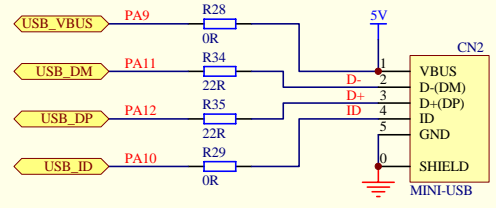


Title		
<b>HY-STM32F2xxCore144</b>		
Size	Number	Revision
B	<a href="http://www.PowerMCU.com">www.PowerMCU.com</a>	Release
Date:	22-Aug-2011	Sheet of
File:	芯海电子-HY-STM32_Core144-HY-STM32F2xxCore144-1.Ddb	7

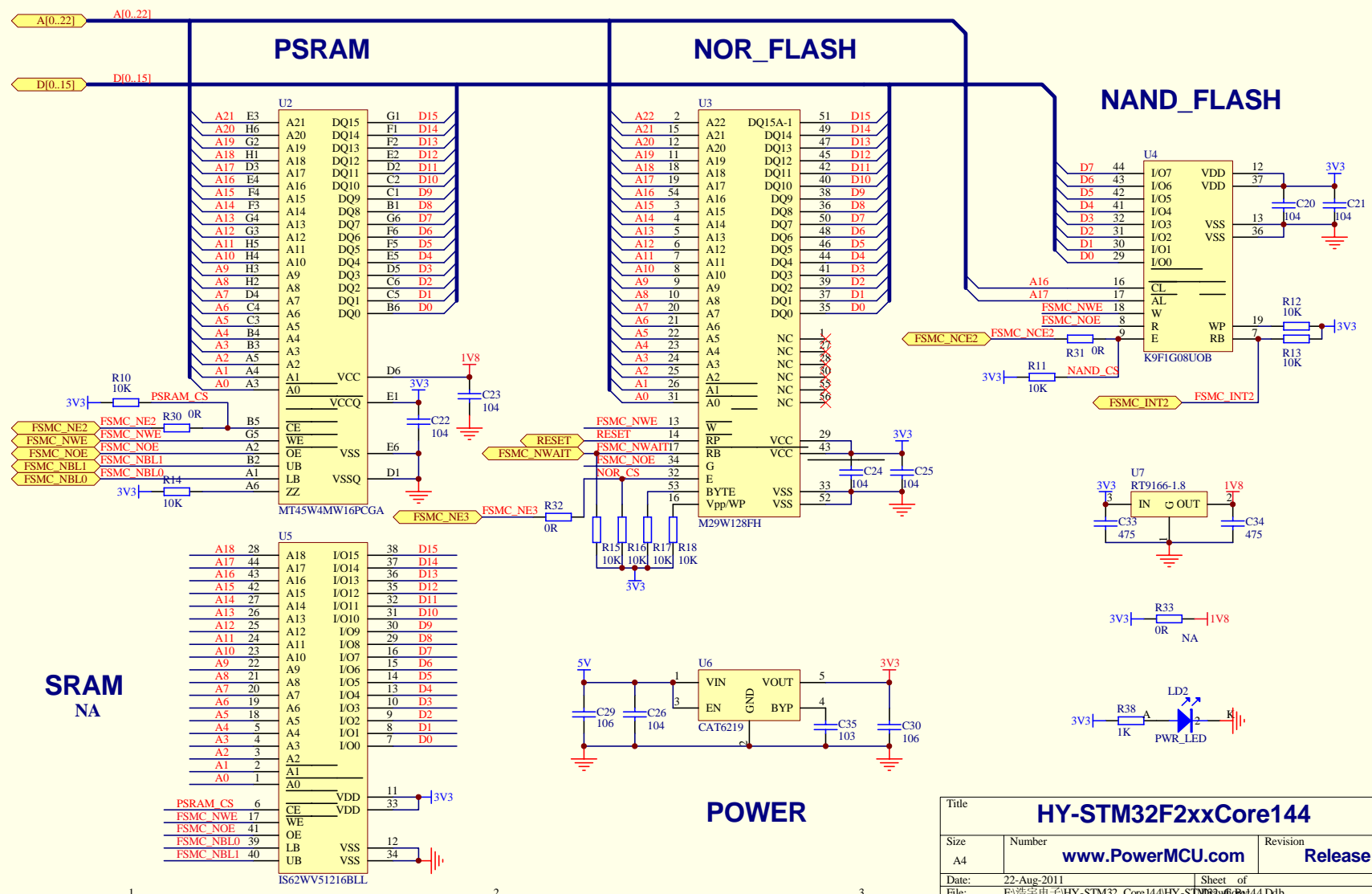


### JTAG



### USB

Title			<b>HY-STM32F2xxCore144</b>		
Size	Number	Revision			
A4	<a href="http://www.PowerMCU.com">www.PowerMCU.com</a>	Release			
Date:	22-Aug-2011	Sheet of			
File:	F:\浩宇电子\HY-STM32_Core144\HY-STM32F2xxCore144.Ddb	144			



Title			<b>HY-STM32F2xxCore144</b>		
Size	Number	www.PowerMCU.com		Revision	Release
A4					
Date:	22-Aug-2011	Sheet of		1 of 1	
File:	F:\浩宇电子\HY-STM32_Core144\HY-STM32F2xxCore144.Ddb				