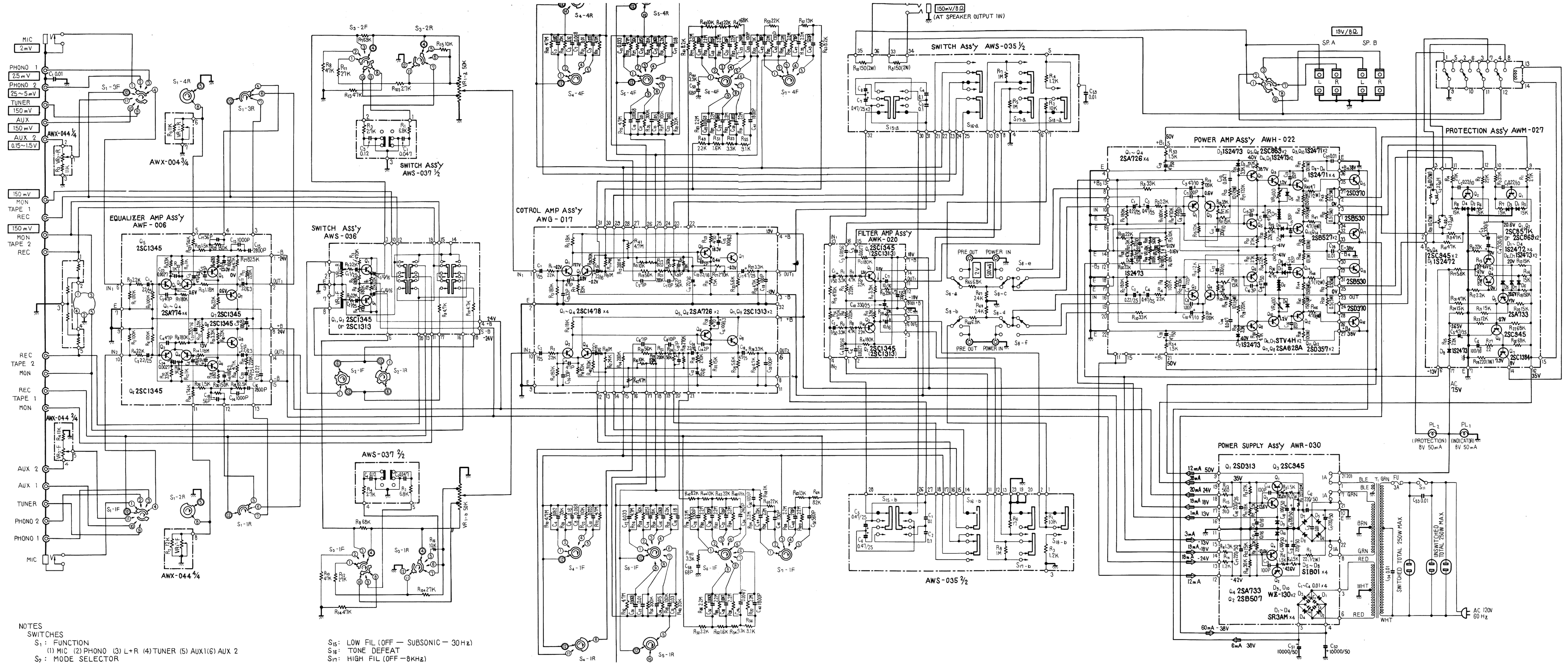


HiFi ENGINE®

For more Hi-Fi manuals and set-up information
please visit www.hifiengine.com



NOTES
 SWITCHES
 S₁: FUNCTION
 (1) MIC (2) PHONO (3) L+R (4) TUNER (5) AUX1 (6) AUX 2
 S₂: MODE SELECTOR

S₁₅: LOW FIL (OFF - SUBSONIC - 30Hz)
 S₁₆: TONE DEFEAT
 S₁₇: HIGH FIL (OFF - 8KHz)

SWITCHED TOTAL 250W MAX
 UNSWITCHED TOTAL 250W MAX
 AC 120V 60 Hz