

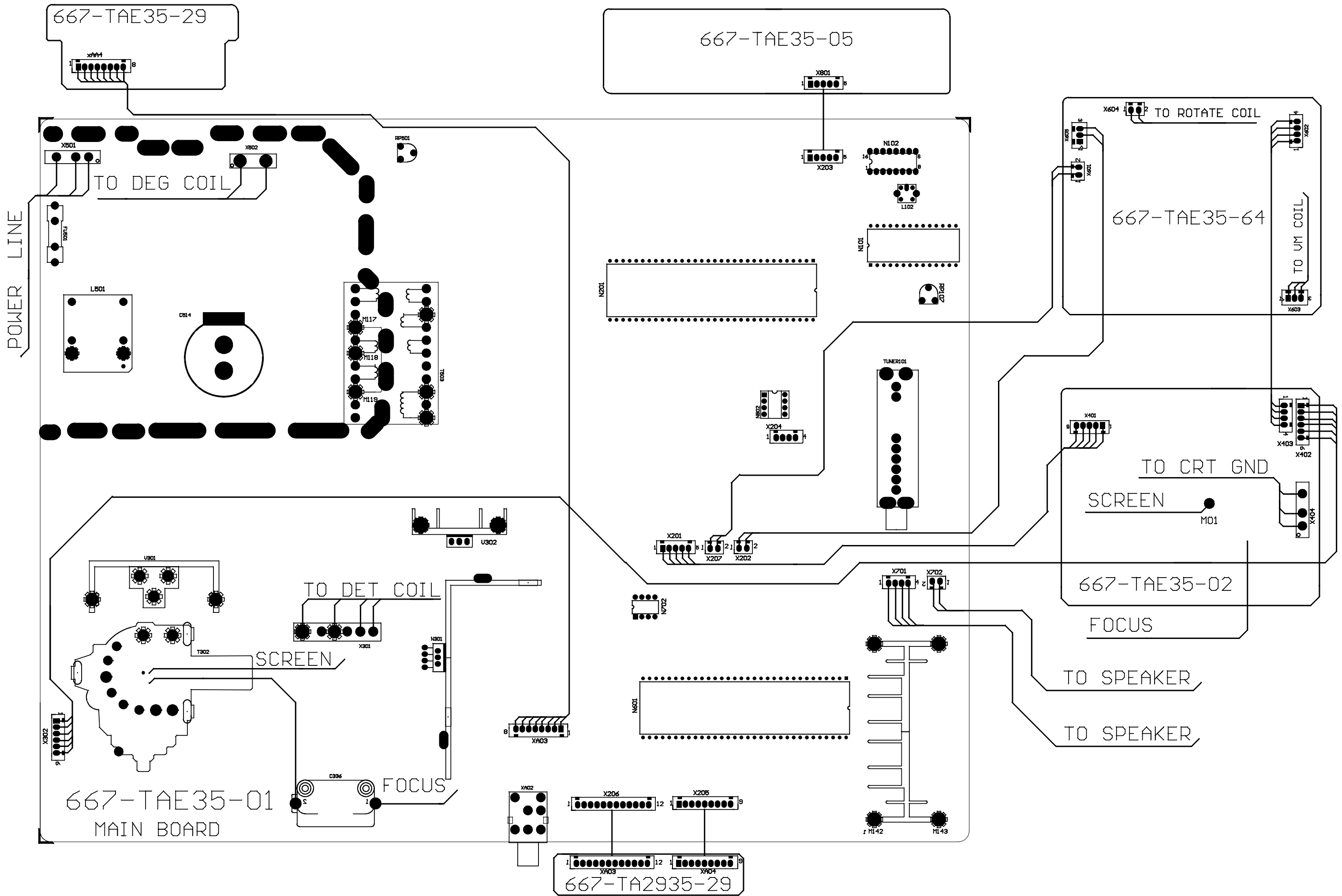


## Factory Alignment Methods

- 1 Push composed keys --/-- →  enter factory menu.
- 2 There are totally three pages of factory menu. Turn the page by pushing “MENU”, Move the items by CH+/CH- key, Adjust the value by VOL+/VOL-. After adjustment, push “OK” for save.
- 3 The method to quit factory menu: Under the item VCT in SERVICE XOCECO-50 Hz, push EXIT: OK



1.2. Chip Architecture

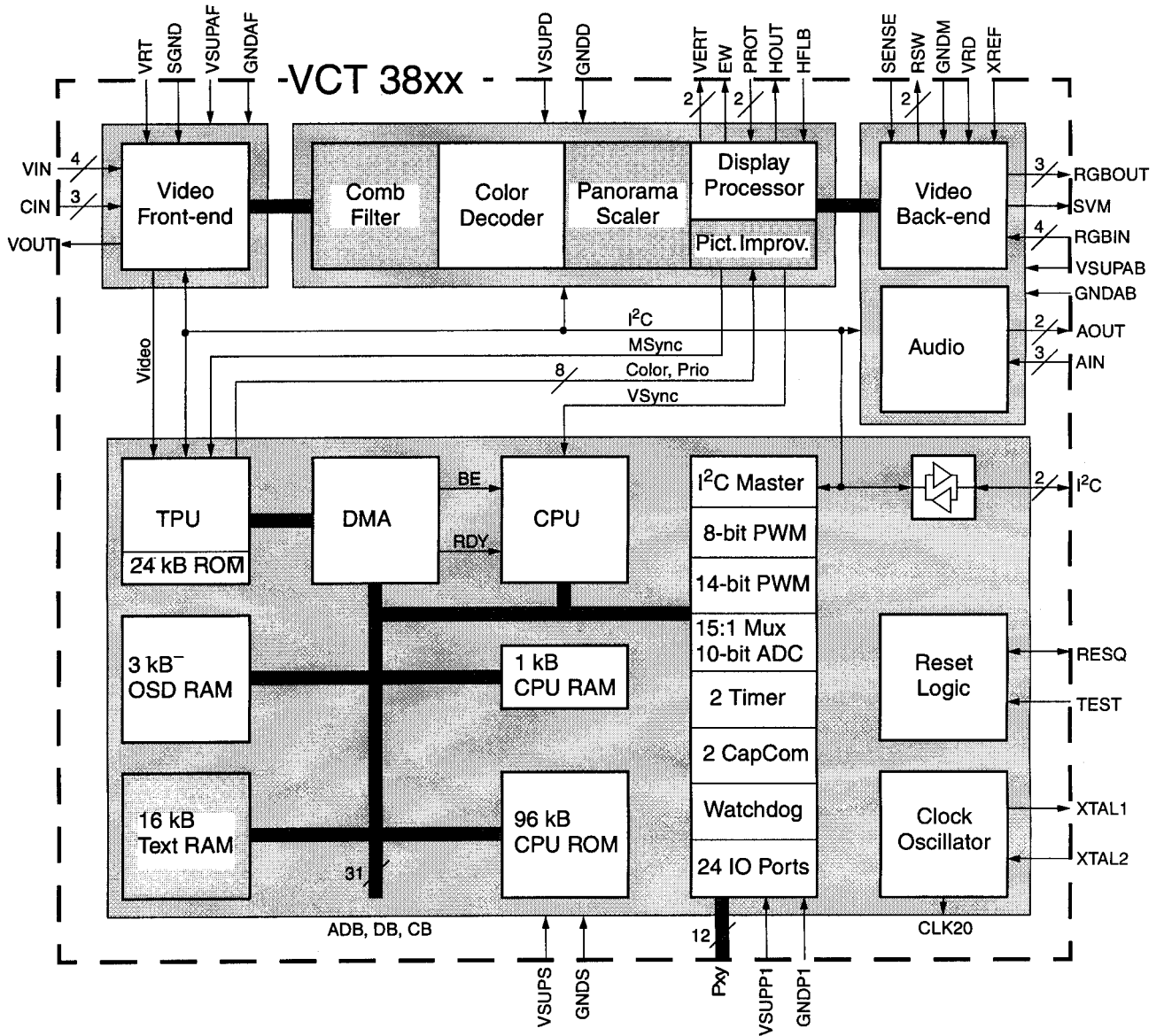
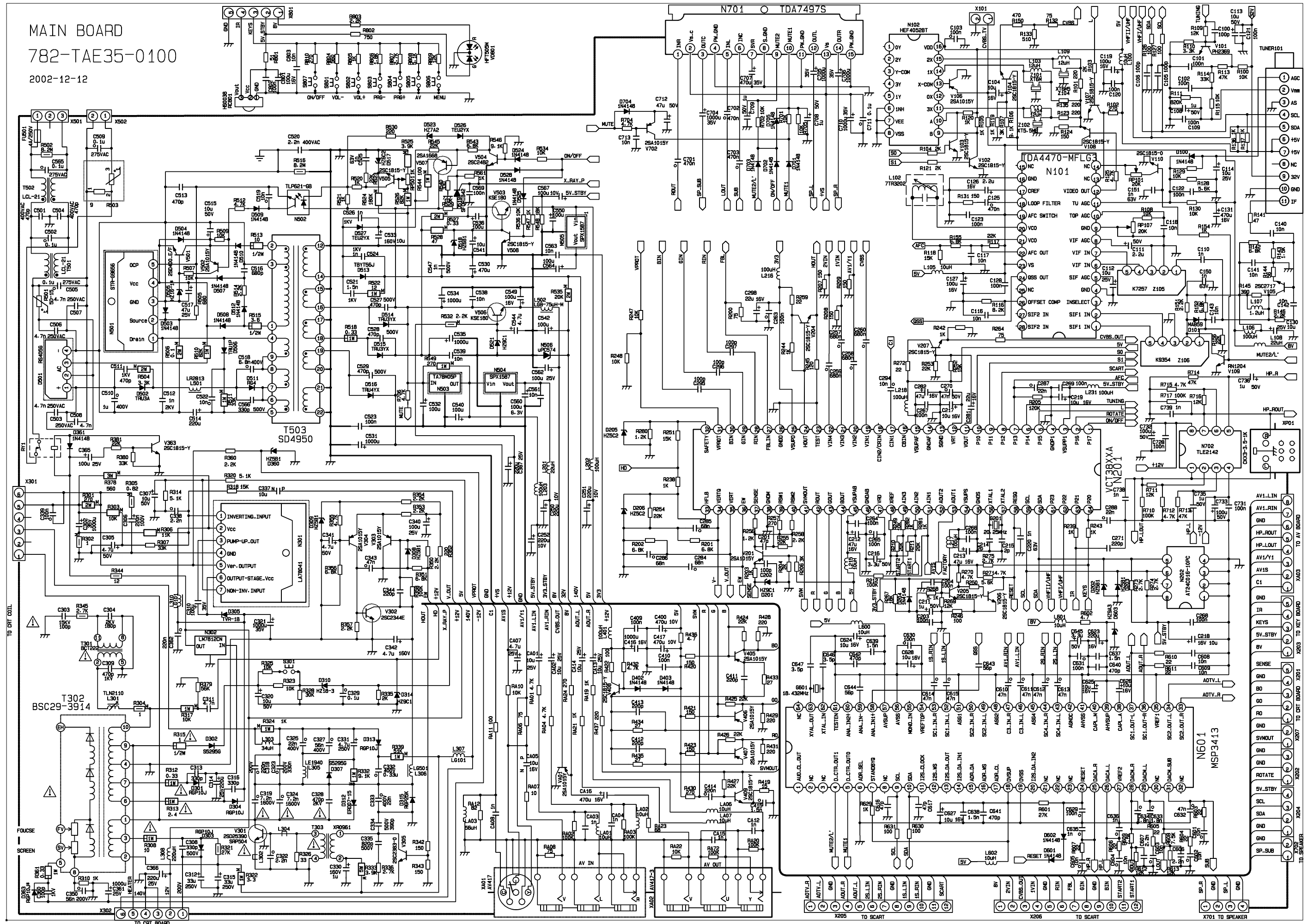
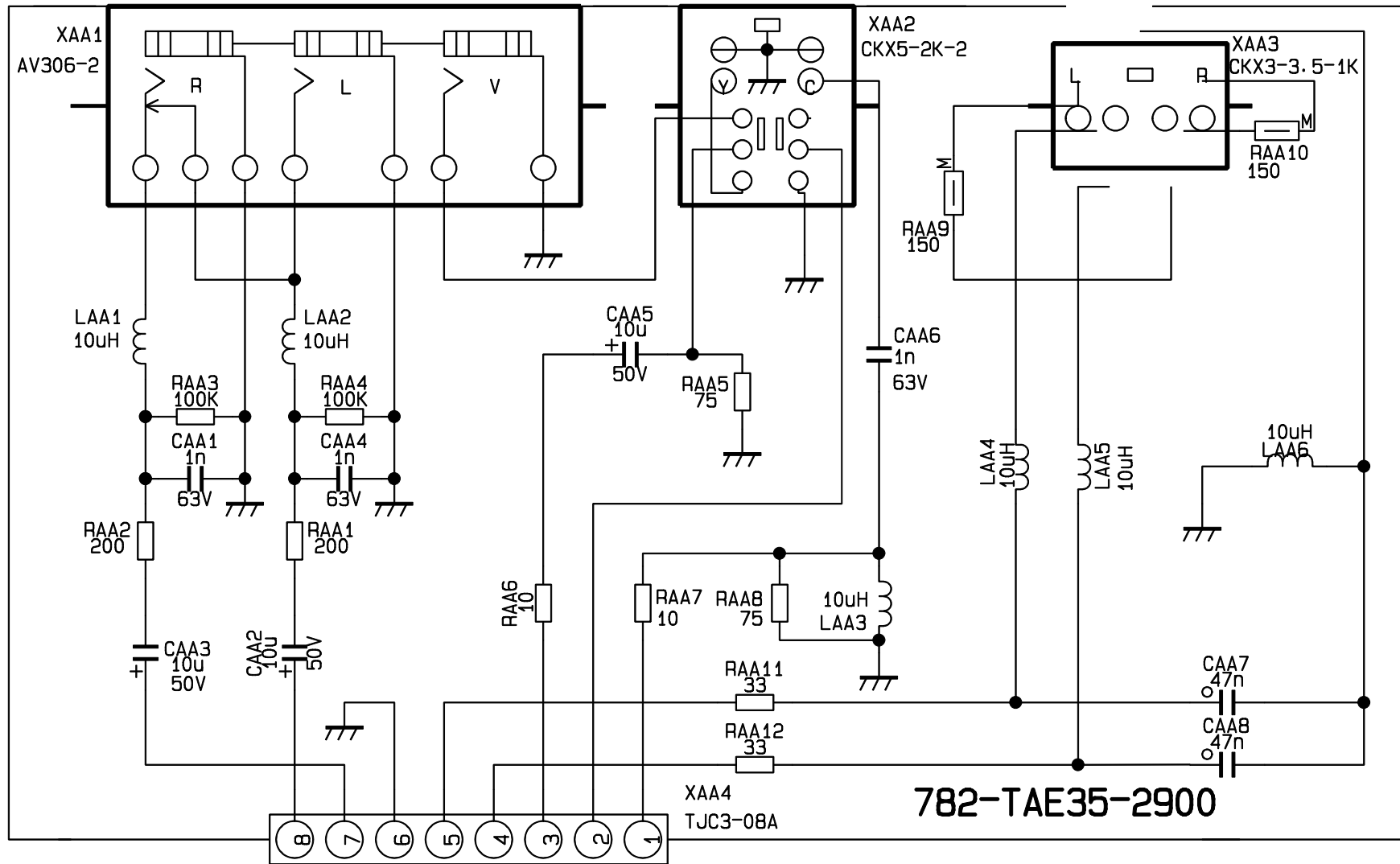


Fig. 1-2: Block diagram of the VCT 38xxA (shaded blocks are optional)

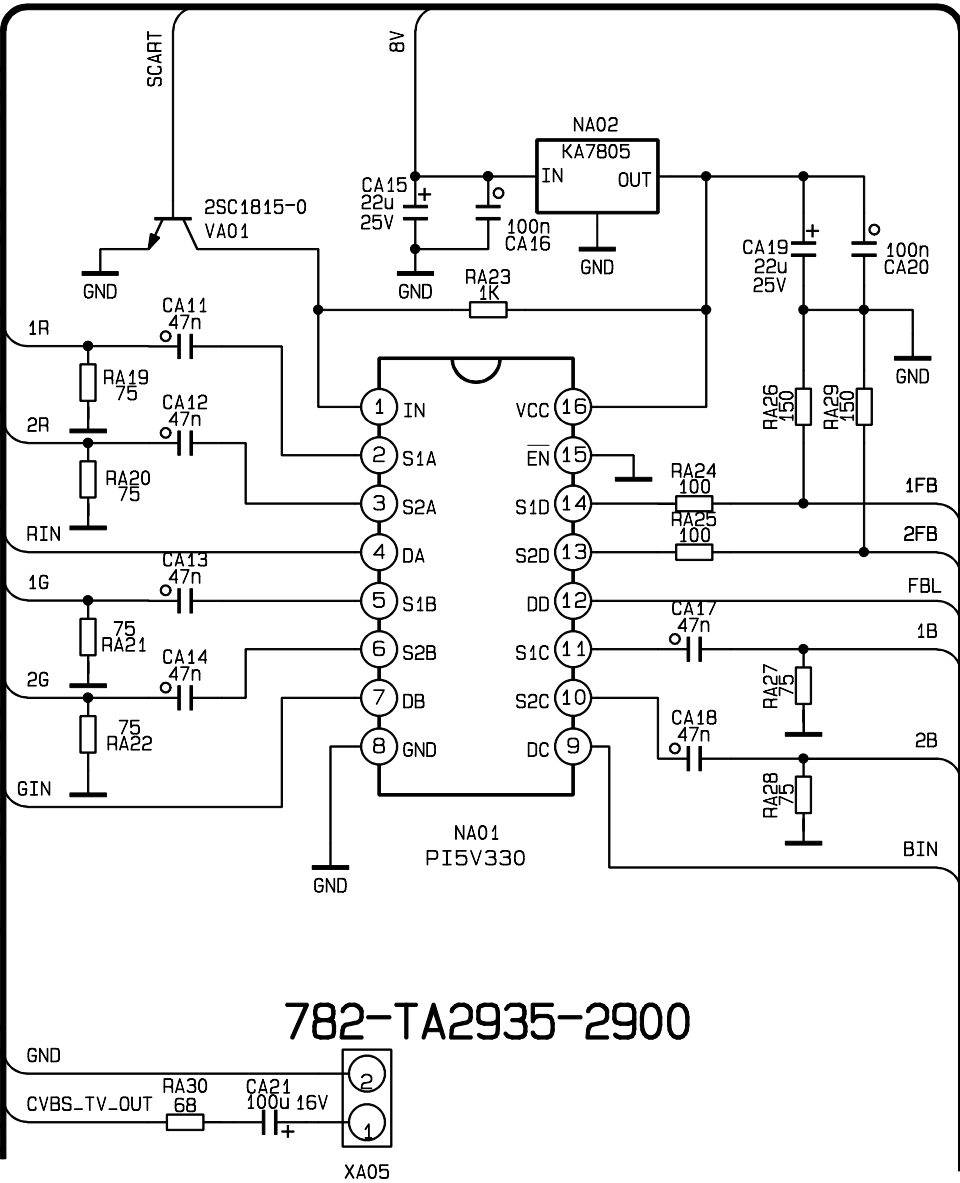
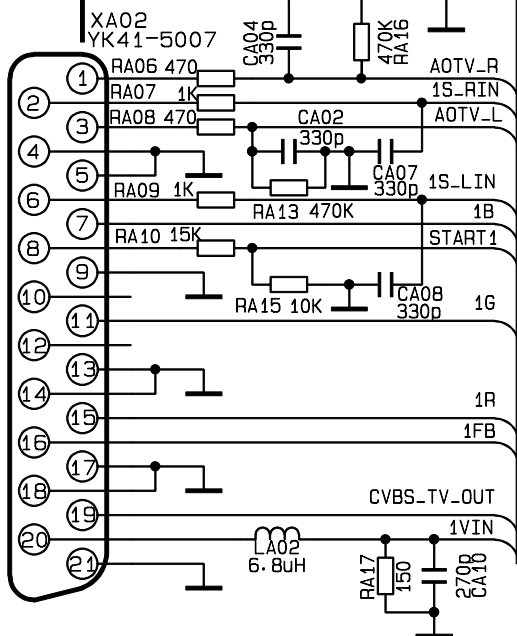
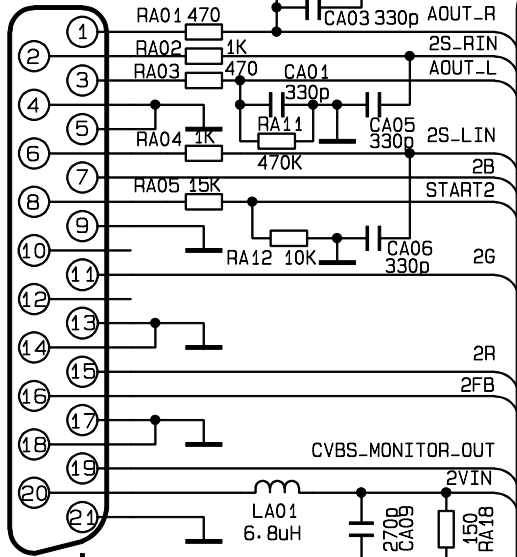


MAIN BOARD  
782-TAE35-0100  
2002-12-12

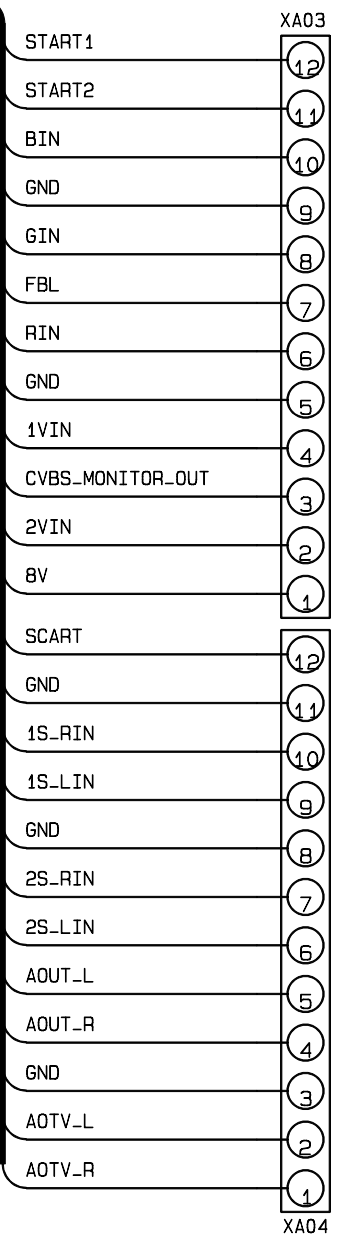




YK41-5007  
XAO1



# 782-TA2935-2900



XAO5

XAO4

A

B

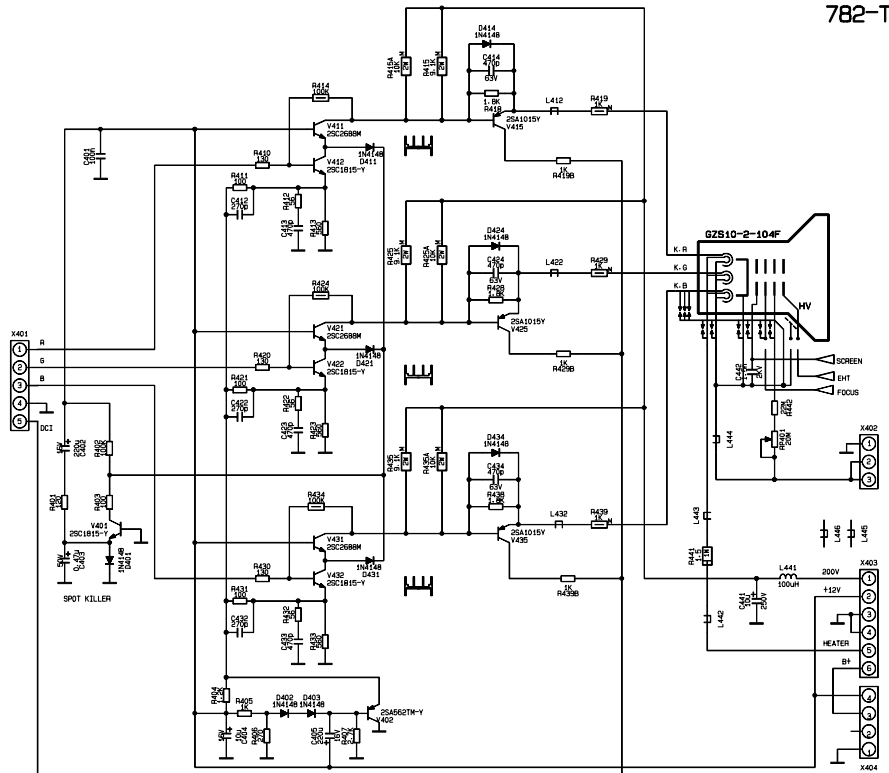
C

D

E

F

# 782-TAE35-0200



1

2

3

4

