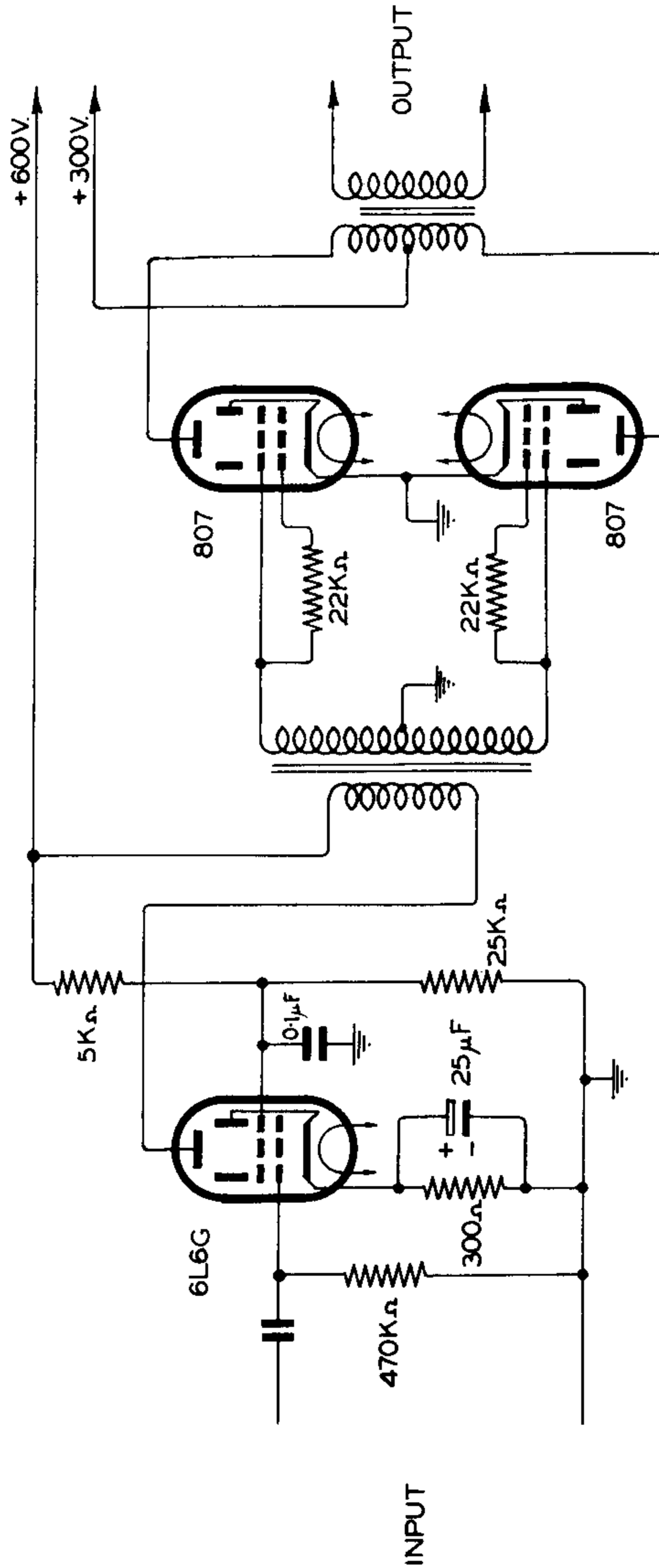


MODIFIED ZERO BIAS CLASS 'B' AMPLIFIER



DRIVER STAGE

PLATE LOAD IMPEDANCE = 4200 OHMS

OUTPUT STAGE

GRID-TO-GRID INPUT VOLTAGE = 554 VOLTS
 GRID-TO-GRID INPUT POWER = 5.3 WATTS
 GRID-TO-GRID INPUT IMPEDANCE = 7,100 OHMS
 PLATE-TO-PLATE LOAD IMPEDANCE = 6,600 OHMS