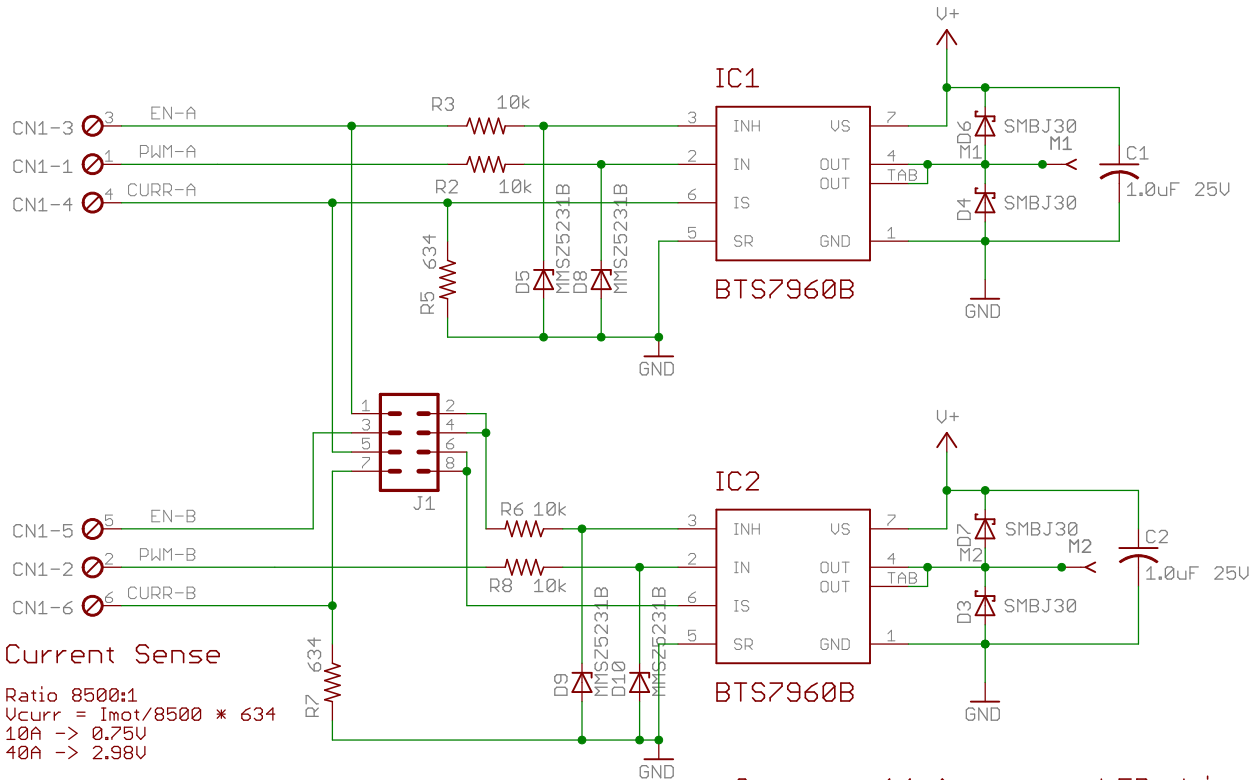


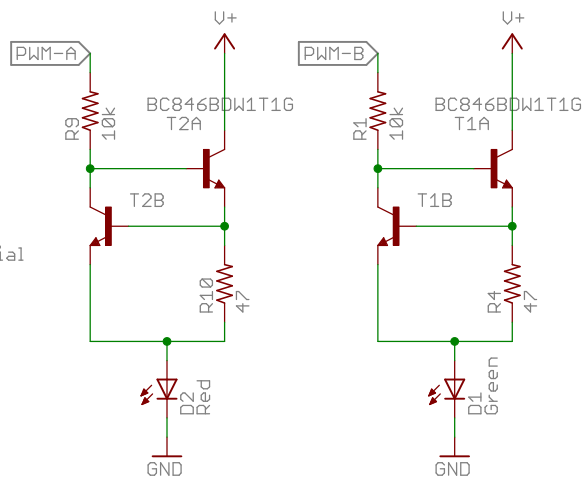


# Robot Power Simple H-bridge

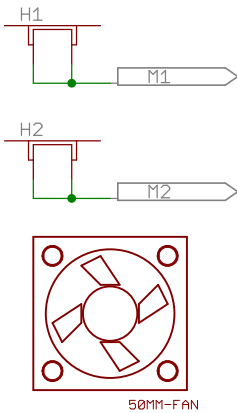
6V-28V , 25A Continuous w/fan  
5.0V - 28.0V Logic level inputs



### Constant 14mA current LED drive



### Heat Sinks



50mm x 10mm 12V fan

Copyright (C) 2007 by Robot Power  
 All Rights Reserved except as follows:  
 This design is freely available  
 For personal or educational purposes  
 Commercial use requires permission  
 Contact sales@robotpower.com for details

<h2>Simple-H v1.5 HV</h2>	
TITLE: simple-h-v15-hv	
Document Number:	REV:
Date: 8/27/2011 1:02:26 PM	Sheet: 1/1