

MICO
 ELECTRONIC
 DRAGOLAV JAVNOVE
 mikro@ptt.yu
 031/512 402 - 514 582

P 801

1	GND
2	5v
3	5.1v
4	POWER
5	AC
6	AC
7	-33
8	ON/OFF12V
9	ON/OFF12V
10	OFF/ON12V
11	GND
12	GND
13	GND

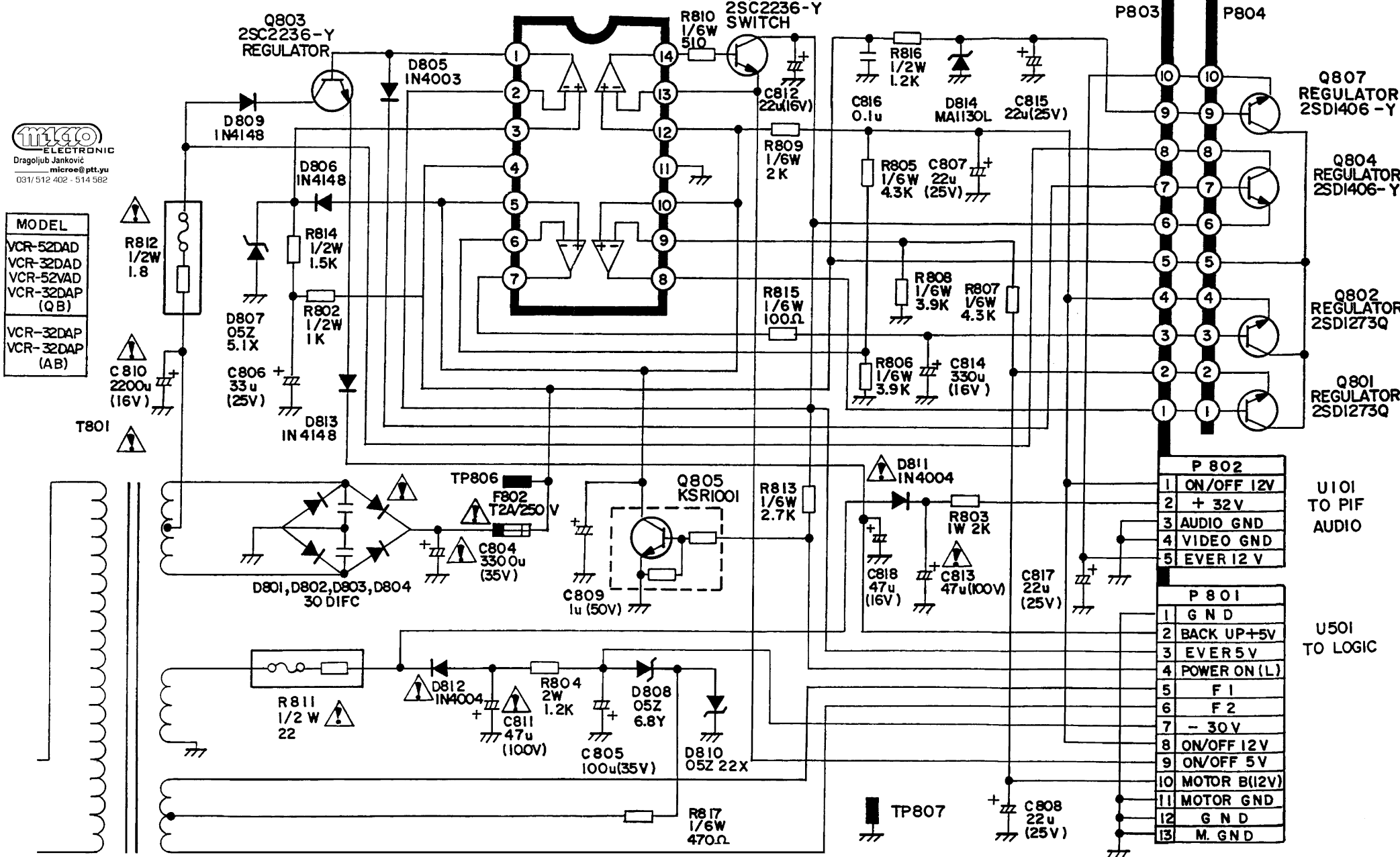
P 802

1	ON/OFF 12v
2	55v
3	GND
4	GND
5	13v

micro
ELECTRONIC
Dragoljub Jankovic
microe@ptt.yu
031/512 402 - 514 582

MODEL
VCR-52DAD
VCR-32DAD
VCR-52VAD
VCR-32DAP (QB)
VCR-32DAP (AB)

**IC 801
KIA75902P LM324**



P 802

1	ON/OFF 12V
2	+ 32V
3	AUDIO GND
4	VIDEO GND
5	EVER 12V

U101
TO PIF
AUDIO

P 801

1	GND
2	BACK UP+5V
3	EVER 5V
4	POWER ON (L)
5	F1
6	F2
7	- 30V
8	ON/OFF 12V
9	ON/OFF 5V
10	MOTOR B(12V)
11	MOTOR GND
12	GND
13	M. GND

U501
TO LOGIC

T801

TP807

TP806