

CM62

SPECIFICATIONS

ACOUSTIC & ELECTRICAL SPECIFICATIONS:

- Nominal Impedance: 6 ohms
- Max Amp Power: 175 Watts
- Frequency Response: 45 Hz – 20 kHz
- Sensitivity: 89 dB 1 Watt @ 1 Meter
- Crossover Frequency: 3 kHz

SYSTEM COMPONENTS:

- Cabinet: CM62 (Not For Sale)
- Grille: CM62 (Black) WI0711-B (White) WI0711-W
- Low Frequency Transducer: CM62 - 6 1/2" Shielded Poly laminate Cone (CM62WO)
- DC Resistance: 3.4 ohms ±10%
- High Frequency Transducer: CM62 - 1/2" Titanium Dome (DT397TH-1)

SYSTEM COMPONENTS: (cont'd)

- DC Resistance: 3.4 ohms ±10%
- Crossover Network: CM62 (WI0709)

AURAL SWEEP TEST SPECIFICATIONS:

- A. System Aural Sweep Test: 4.0V Input, 60 Hz to 20 kHz
- B. L.F. Aural Sweep Test: 3.0V Input, 60 Hz to 4 kHz
- C. H.F. Aural Sweep Test: 2.0V Input, 2 kHz to 20 kHz

PHYSICAL SPECIFICATIONS:

- Enclosure Dimensions: 15 3/8 x 9 1/2 x 9 1/4 in. (H x W x D) (390mm x 243mm x 262mm)

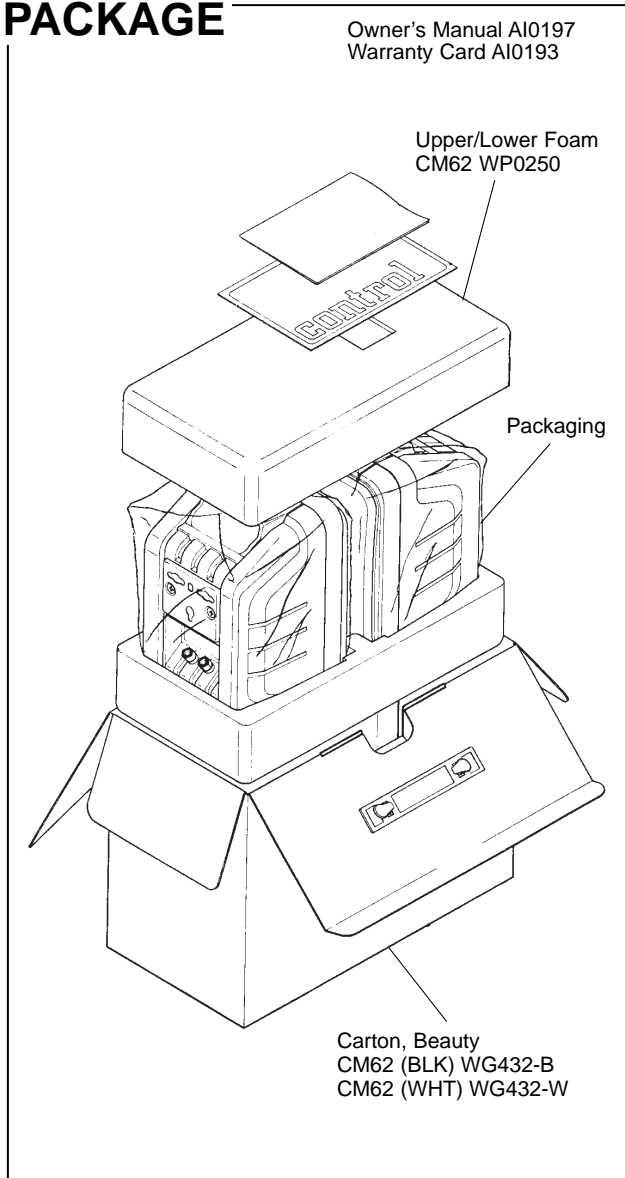
WEIGHT:

11 lbs. (5 kg.) Each
(Sold in Pairs)

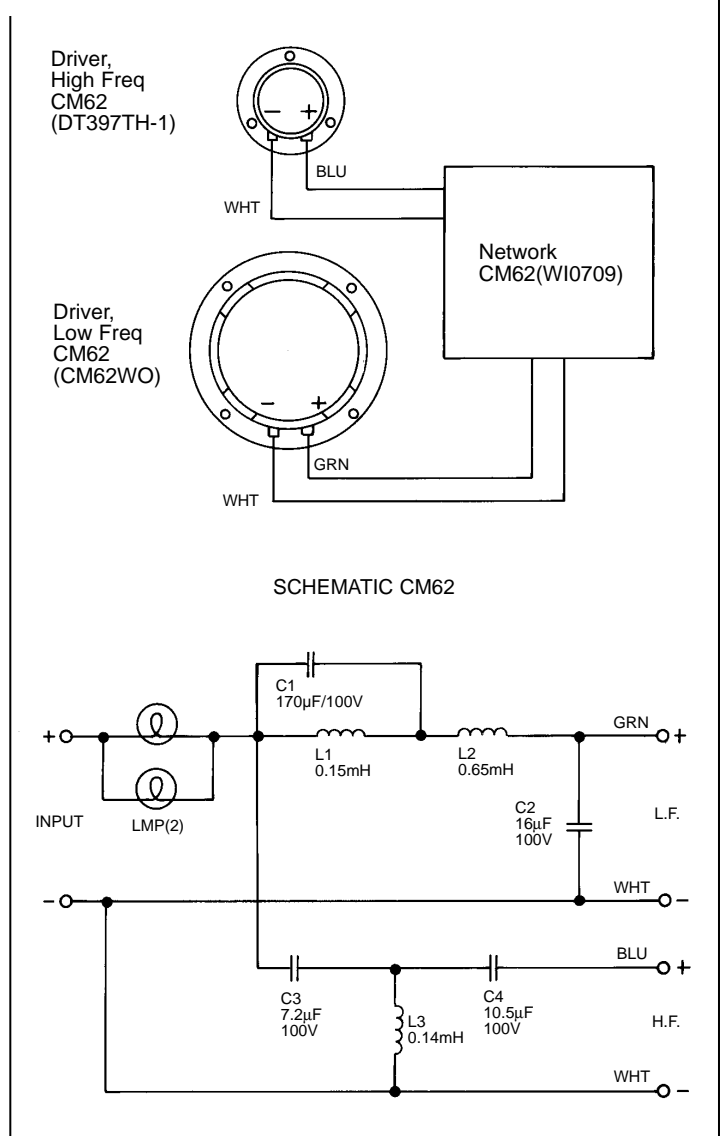
WARRANTY INFORMATION:

- Refer to the Warranty Statement packed with each product.

PACKAGE

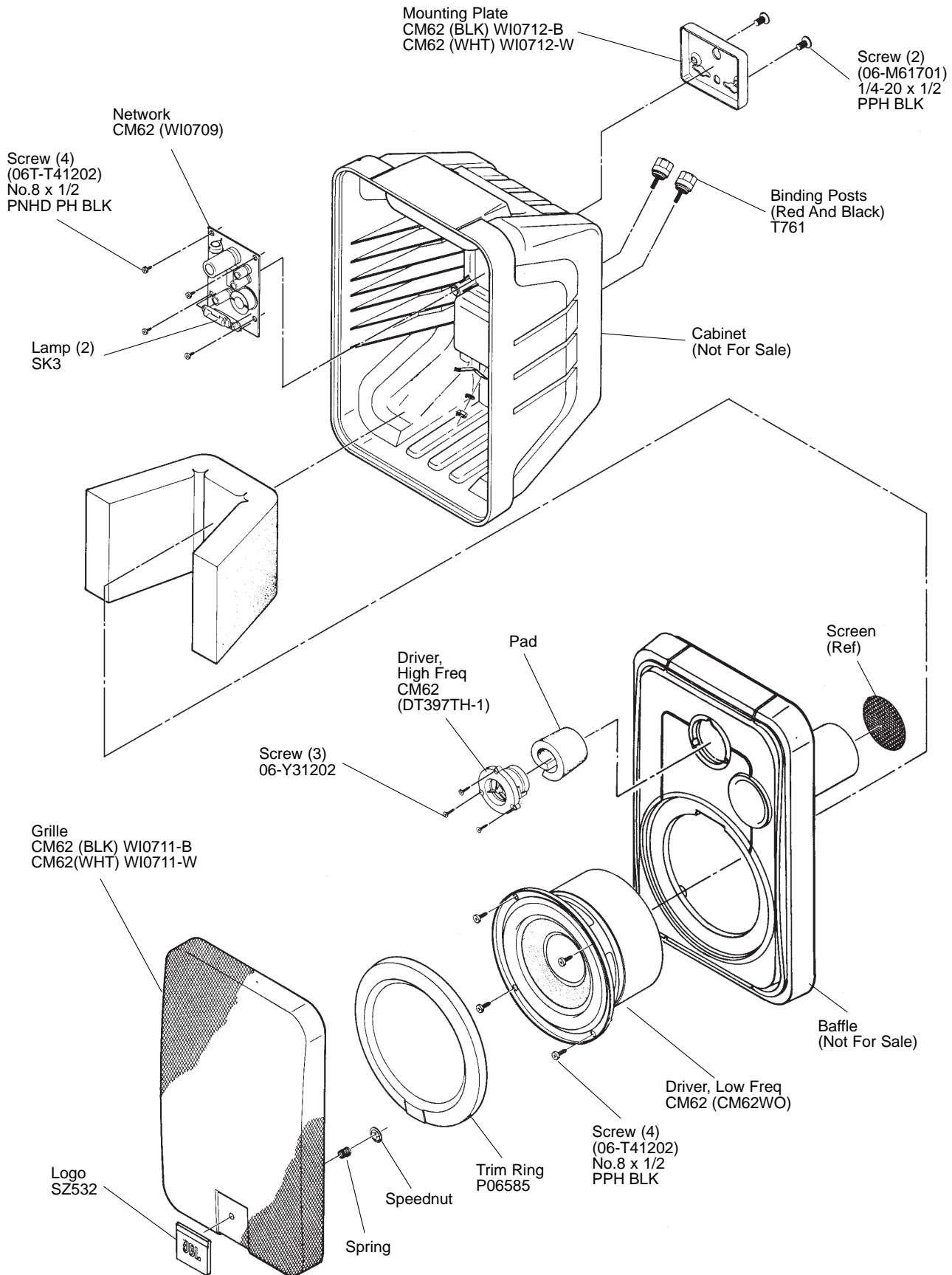


WIRING DIAGRAM



CM62

COMPONENT EXPLODED VIEW



NOTE: FOR WOOFER REMOVAL, COBALT BLUE TRIM RING MUST BE CAREFULLY PRIED OUT OF ITS RECESS TO ACCESS MOUNTING SCREWS