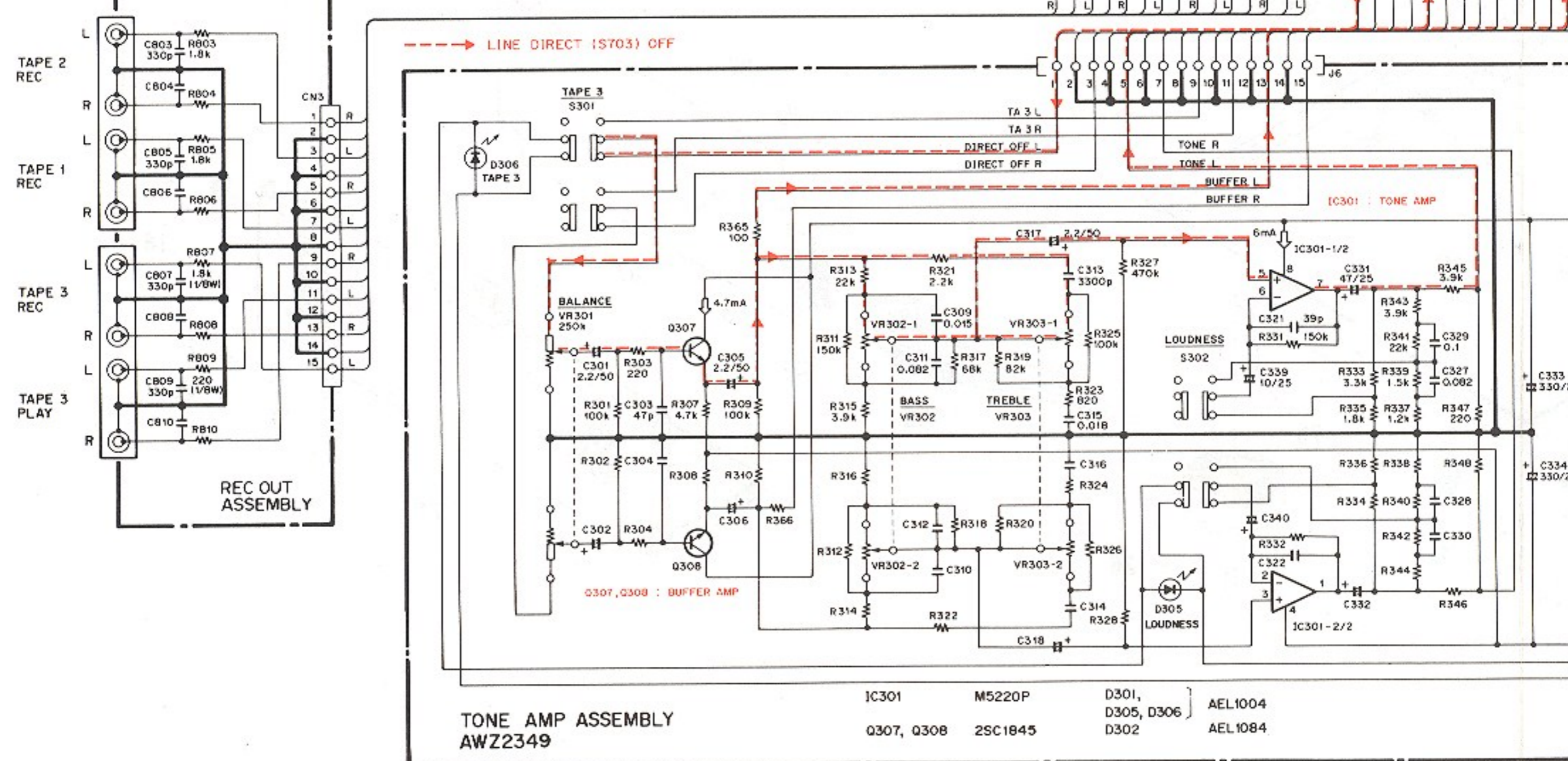
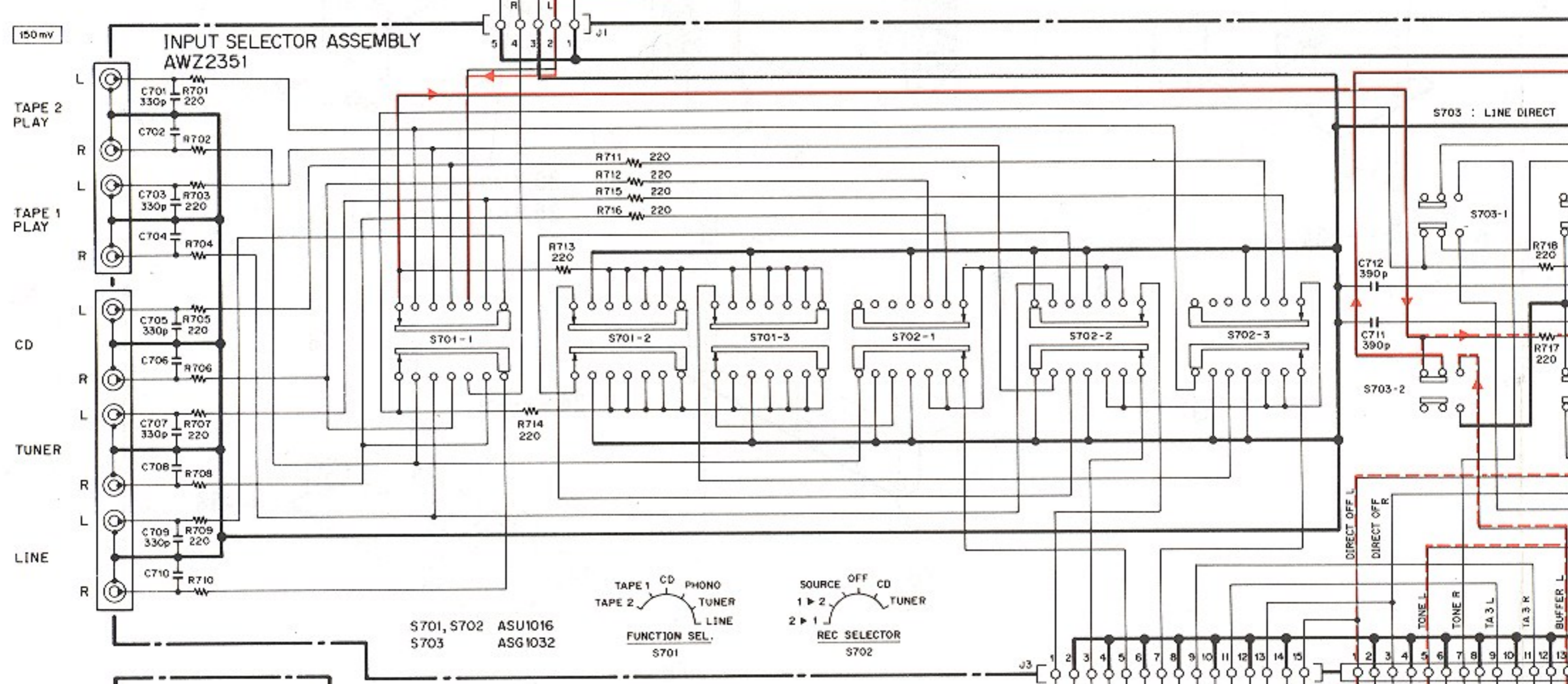
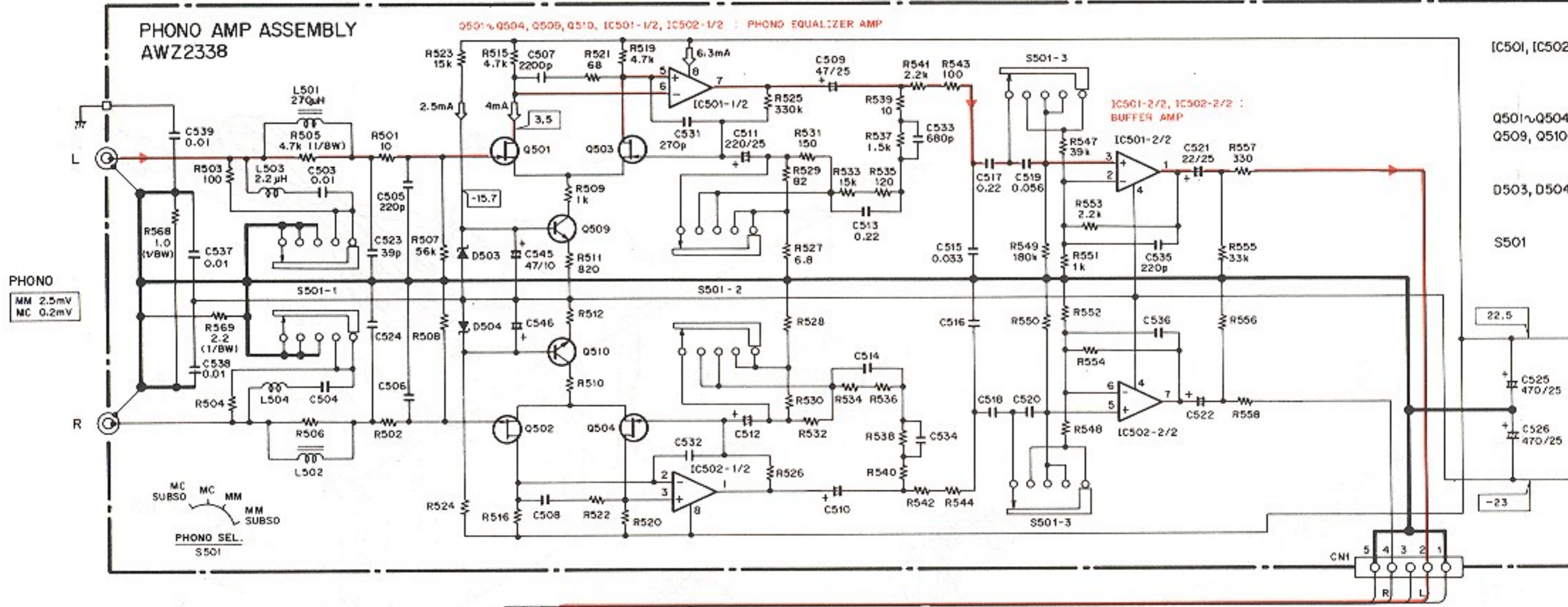
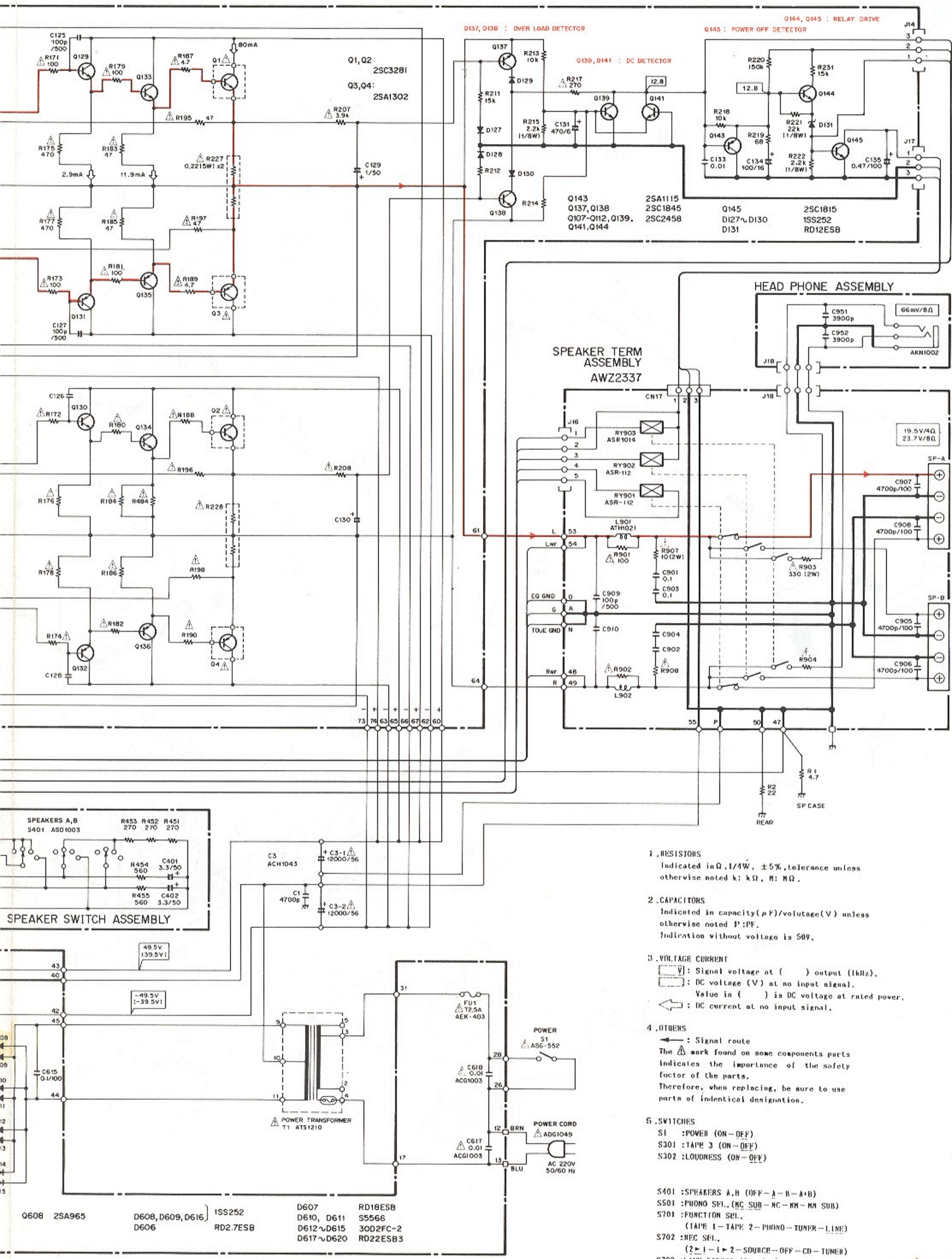


2. SCHEMATIC DIAGRAM





- 1. RESISTORS**
 Indicated in Ω, 1/4W, ±5% tolerance unless otherwise noted k: kΩ, M: MΩ.
- 2. CAPACITORS**
 Indicated in capacity (μF)/voltage (V) unless otherwise noted P:PF. Indication without voltage is 50V.
- 3. VOLTAGE CURRENT**
 [Symbol with V and frequency]: Signal voltage at () output (kHz).
 [Symbol with V]: DC voltage (V) at no input signal.
 Value in () is DC voltage at rated power.
 [Symbol with A]: DC current at no input signal.
- 4. OTHERS**
 [Symbol with arrow]: Signal route
 The Δ mark found on some components parts indicates the importance of the safety factor of the parts. Therefore, when replacing, be sure to use parts of identical designation.
- 5. SWITCHES**
 S1 :POWER (ON-OFF)
 S301 :TAPE 3 (ON-OFF)
 S302 :LOUDNESS (ON-OFF)
- S401 :SPEAKERS A,B (OFF-A-B-A+B)
 S501 :PHONO SEL. (MC SUB-NC-KH-MN SUB)
 S701 :FUNCTION SEL.
 (TAPE 1-TAPE 2-PHONO-TUNER-LINE)
 S702 :REC SEL.
 (2-1-1-2-SOURCE-OFF-CD-TUNER)
 S703 :LINE DIRECT (ON-OFF)

Q608 2SA965
 D608, D609, D616 } ISS252
 D606 } RD2.7ESB
 D607 RD18ESB
 D610, D611 S5566
 D612~D615 3002FC-2
 D617~D620 RD22ESB3