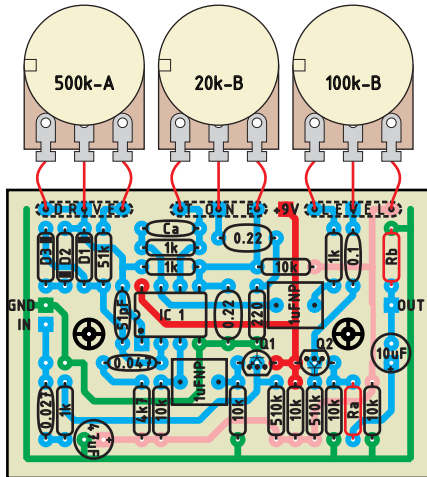


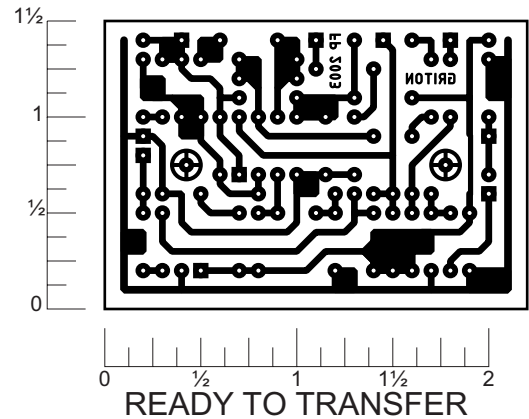
# EL GRITON 2.2

Rev.2.Nov.28.2004

In this layout you can build either the Ibanez Tube screamer TS-9, TS-808 or the BOSS SD-1. These circuits are so similar that they can be constructed around the same printed circuit board. Most of the parts are common to both circuits, the ones that aren't are outlined red on the layout, use the parts list to substitute with the values for the circuit you choose to build. Off board components except for the potentiometers are not shown on the layout. Trademarks remain property of their owners.



LAYOUT



## Common parts

### Resistors

- 6 - 10k
- 4 - 1k
- 2 - 510k
- 1 - 4k7
- 1 - 51k
- 1 - 220
- 1 - 2M2 (2.2M)

### Pots

- 1 - 20k lin.
- 1 - 500k log.
- 1 - 100k lin.

### Capacitors

- 2 - 1µF / NP
- 2 - 0.22 µF Tant.
- 1 - 0.047µF
- 1 - 0.027 µF
- 1 - 47 µF
- 1 - 10 µF
- 1 - 0.1 µF
- 1 - 51pF

### Transistors & ICs

- 2 - 2N3904
- IC1 - 4558

### TS-808 Parts

- Ra - 100
- Rb - 10k
- Ca - Nothing\*
- \*Leave empty

### TS-9 Parts

- Ra - 470
- Rb - 100k
- Ca - Nothing\*
- \*Leave empty

### Clipping Diodes

- Symmetrical
- D1 - 1N914\*
- D2 - 1N914\*
- D3 - Jumper

### Asymmetrical

- D1 - 1N914\*
- D2 - 1N914\*
- D3 - 1N914\*
- \*Other diodes will work

Layout and presentation by Francisco Peña 2001-2004®.  
 All rights reserved. Authorization for personal use only,  
 any commercial use is forbidden.  
 Permission for posting/serving limited to  
<http://www.tonepad.com>  
 Permission refused for posting from other sites.

## Schematic

