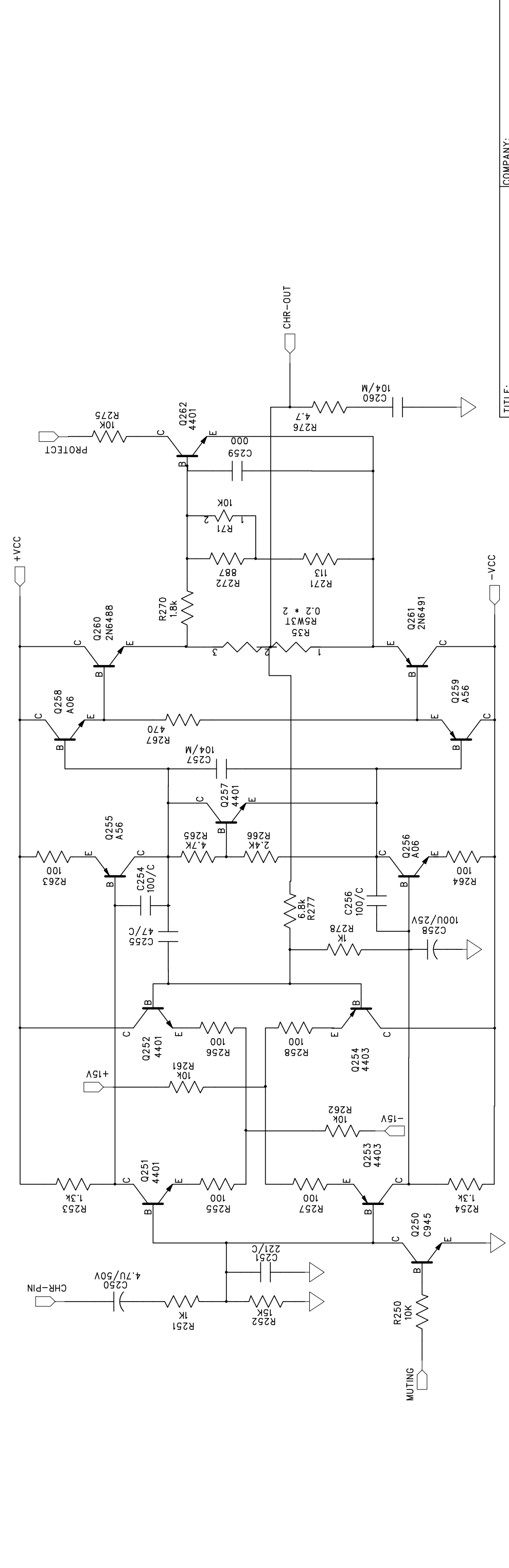
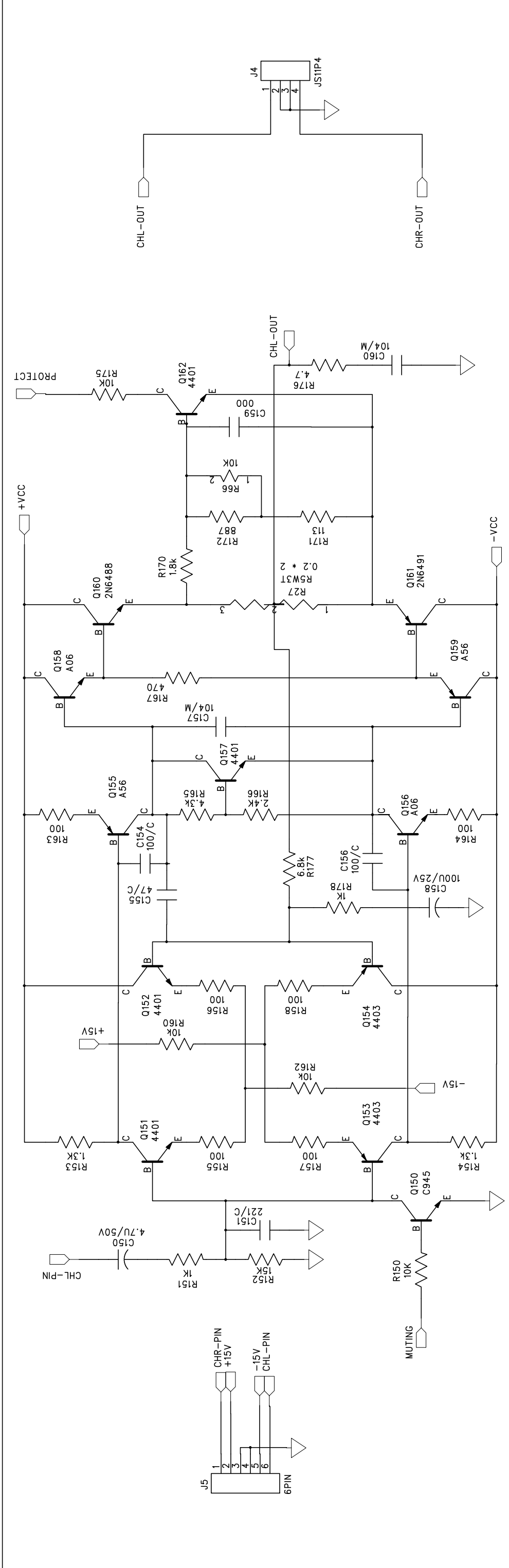
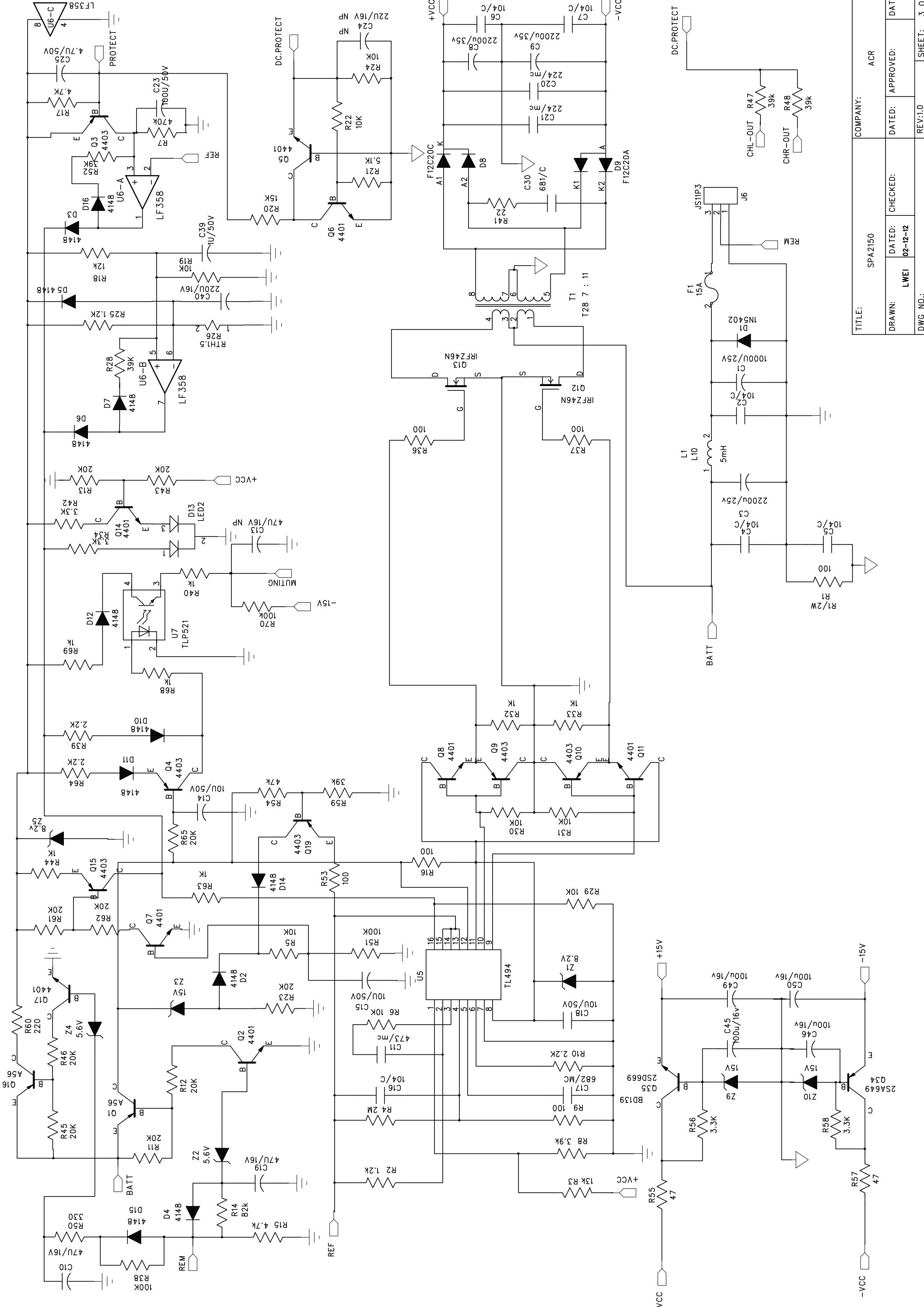


TITLE: SPA2150		COMPANY: ACR	
DRAWN: LWEI	DATED: 02-12-12	APPROVED:	DATED:
DWG NO.:		REV:1.0	SHEET: 1 OF 3



TITLE: SPA2150		COMPANY: ACR	
DRAWN: LWEI	DATED: 02-12-12	CHECKED:	APPROVED:
DWG NO.:	REV:1.0	SHEET: 2	OF 3



TITLE: SPA2150		COMPANY: ACR	
DRAWN: LWEI	DATED: 02-12-12	CHECKED:	DATED:
DWG NO.:	REV:1.0	APPROVED:	DATED:
			SHEET: 3 OF 3