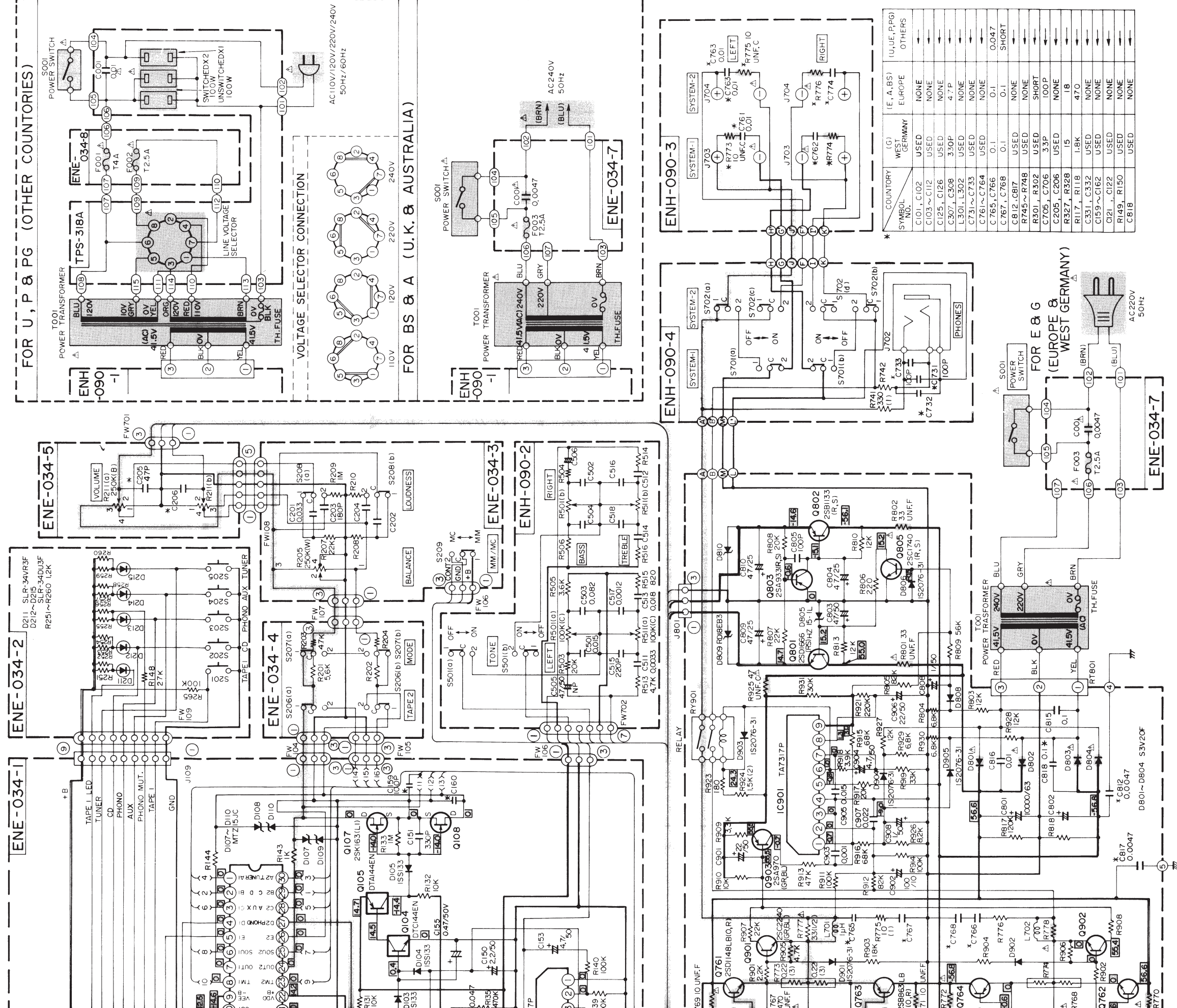
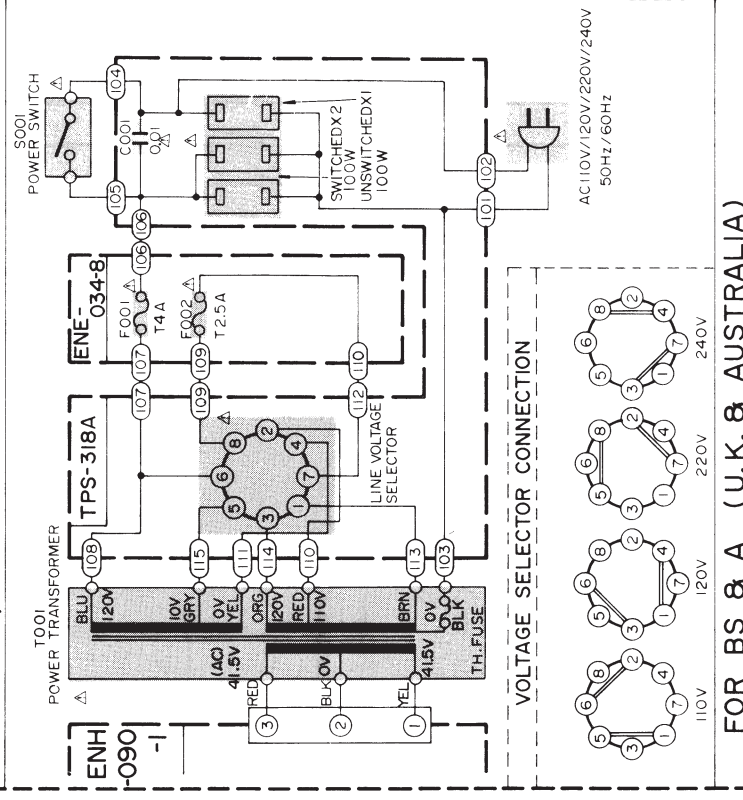


- Notes:**
1. shows DC voltage to the chassis with no signal input.
  2. indicates ± B power supply.
  3. indicates signal path.

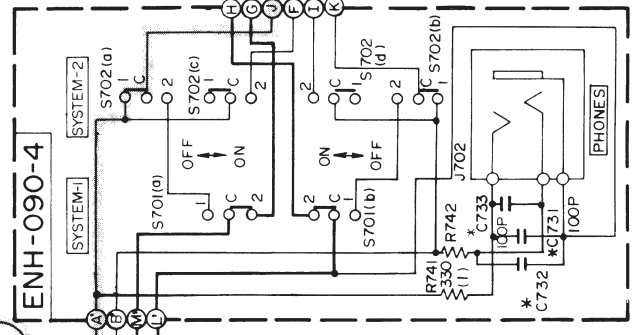
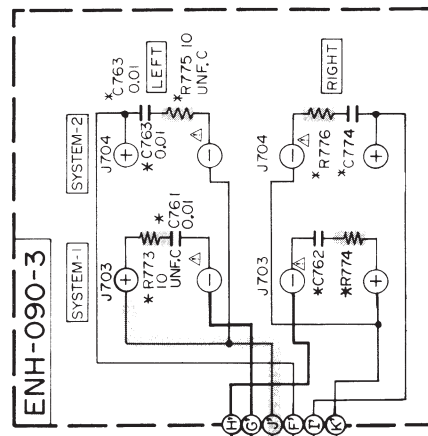
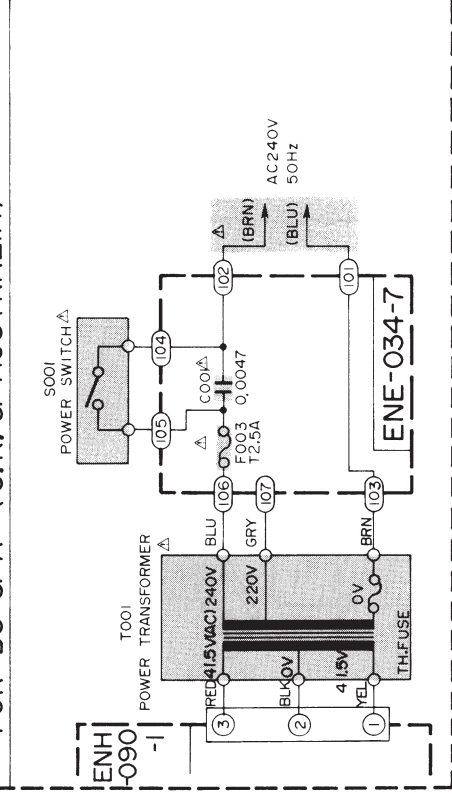
4. When replacing the parts in the darkened area ( ) and those marked with , be sure to use the designated parts to ensure safety.
5. This is the standard circuit diagram. The design and contents are subject to change without notice.



FOR U, P & PG (OTHER COUNTRIES)



FOR BS & A (U.K. & AUSTRALIA)



COUNTRY	SYMBOL NO.	(G) WEST GERMANY	(E, A, BS) EUROPE	(U, UE, P, PG) OTHERS
C101, C102	USED	USED	NONE	→
C103~C112	USED	USED	NONE	→
C125, C126	USED	USED	NONE	→
C307, C308	3.50P	USED	4.7P	→
L301, L302	USED	USED	NONE	→
C731~C733	USED	USED	NONE	→
C761~C764	USED	USED	NONE	→
C765, C766	0.1	0.1	0.1	0.047
C767, C768	0.1	0.1	0.1	SHORT
C812, C817	USED	USED	NONE	→
R745~R748	USED	USED	NONE	→
R301, R302	USED	USED	SHORT	→
C705, C706	3.5P	3.5P	TOOP	→
R327, R328	15	15	18	→
R117, R118	1.8K	1.8K	4.7K	→
C331, C332	USED	USED	NONE	→
C159~C162	USED	USED	NONE	→
C121, C122	USED	USED	NONE	→
R149, R150	USED	USED	NONE	→
C818	USED	USED	NONE	→

