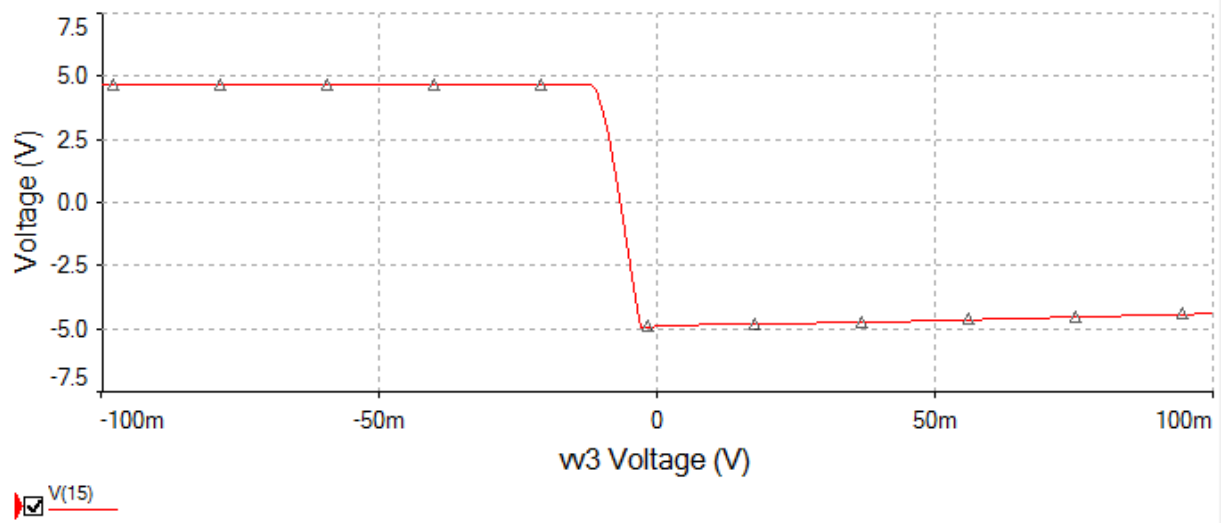
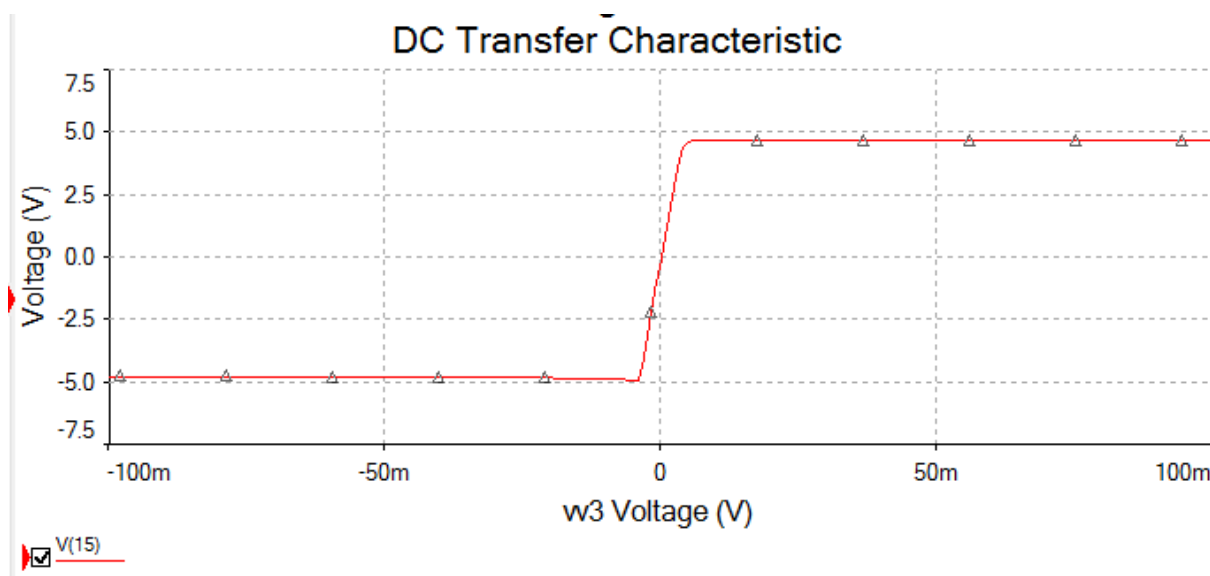
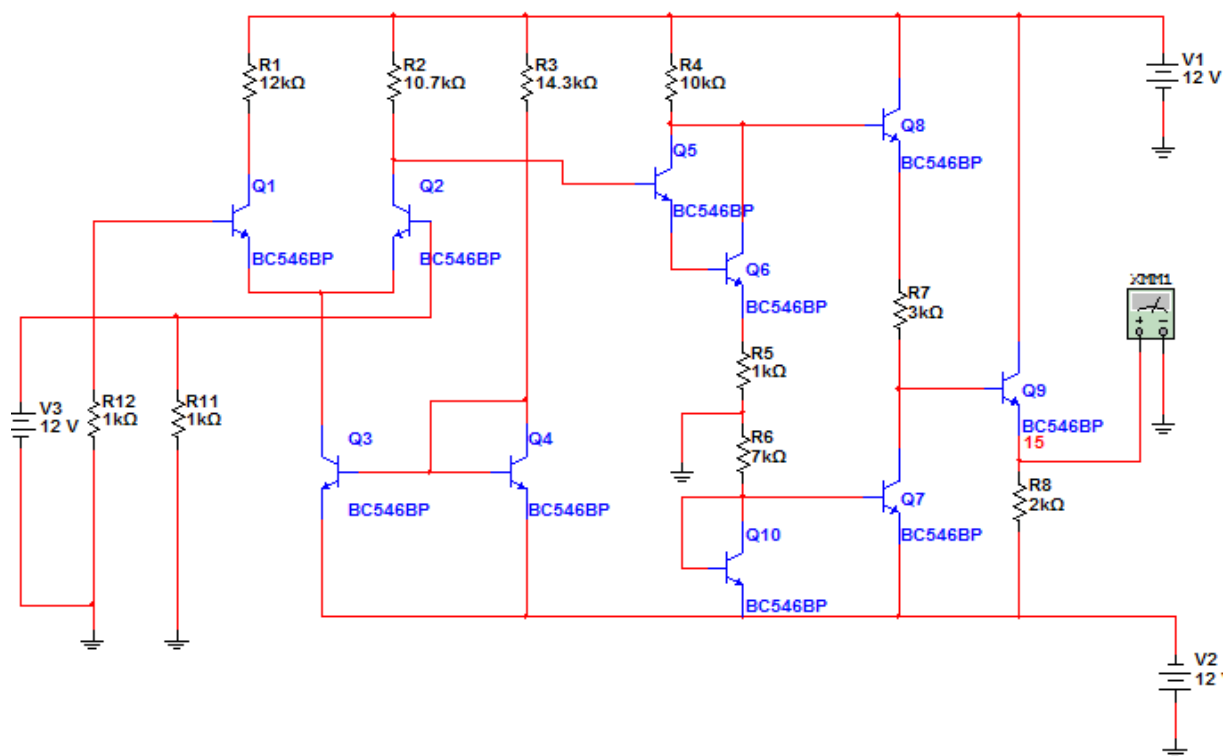
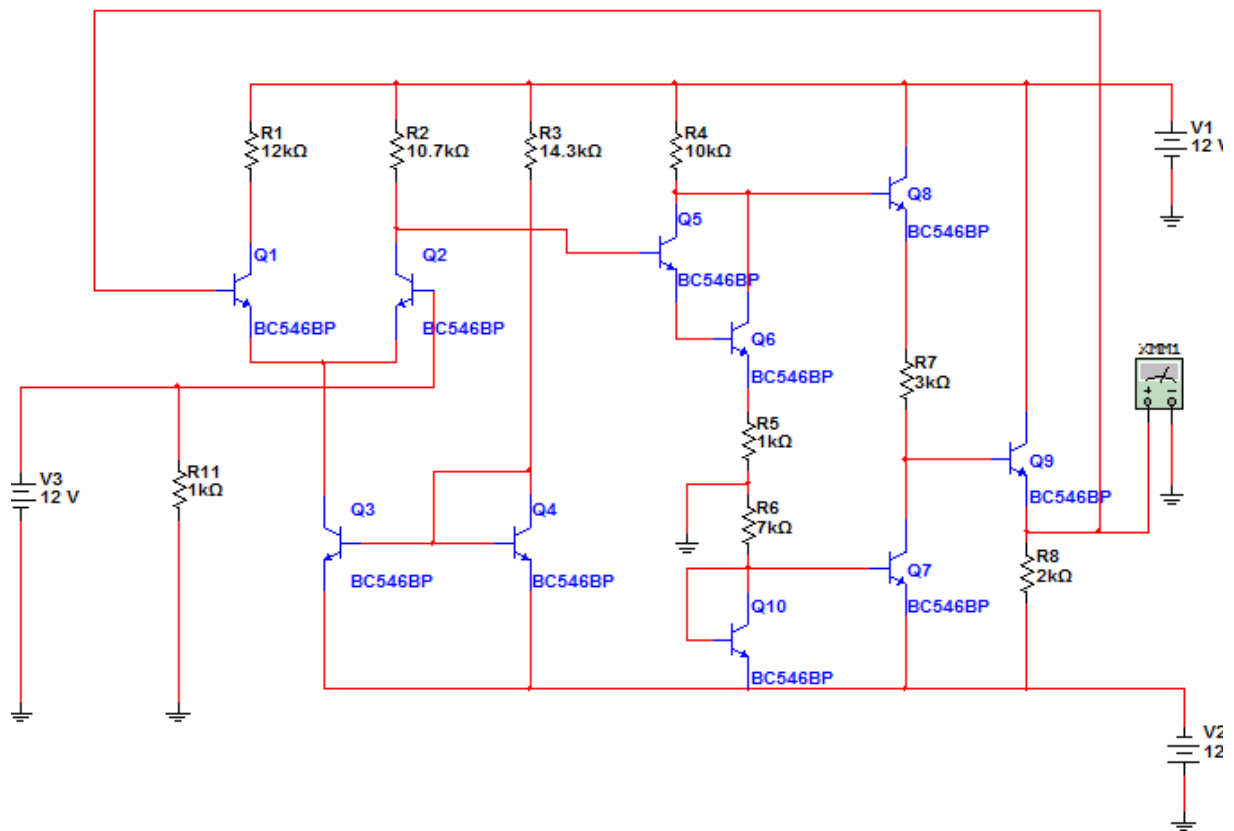


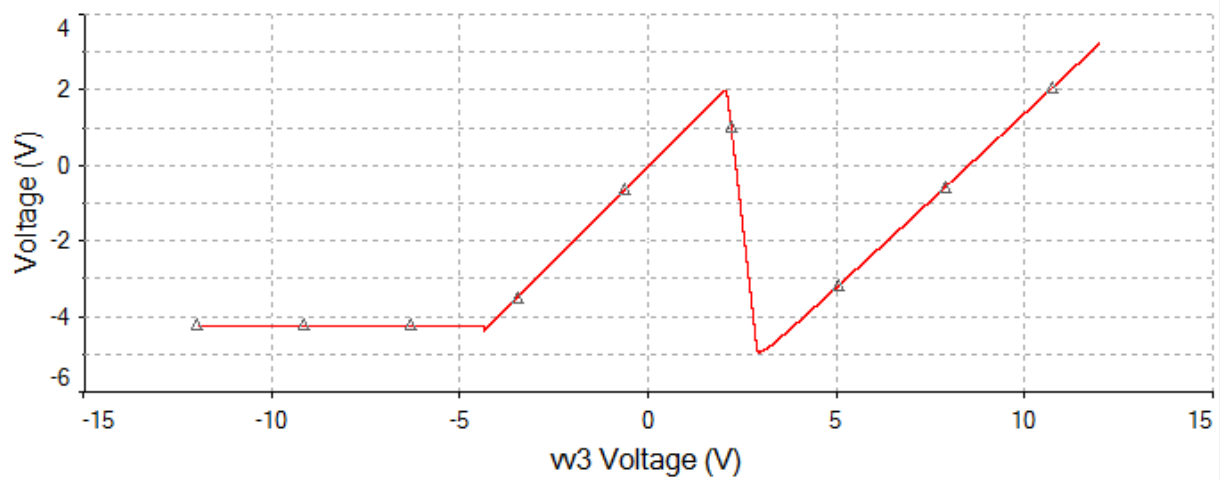
DC Transfer Characteristic



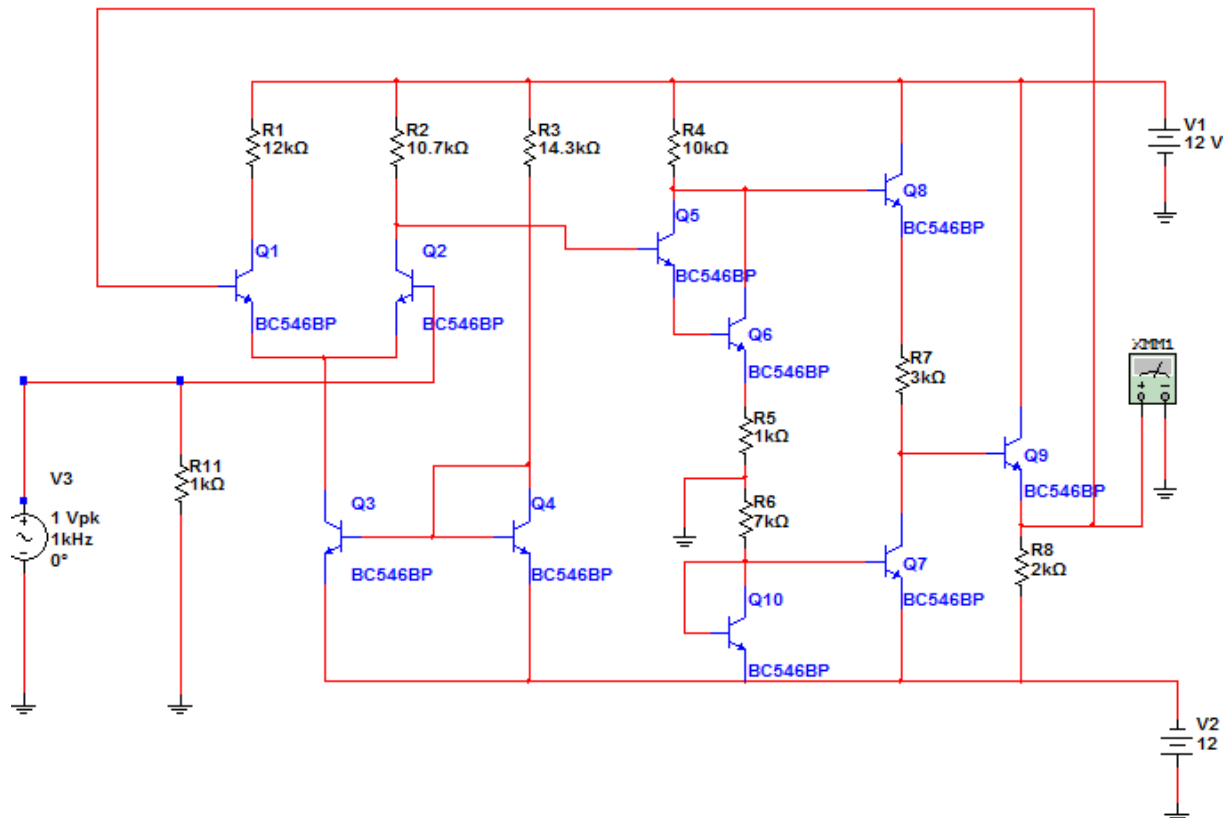




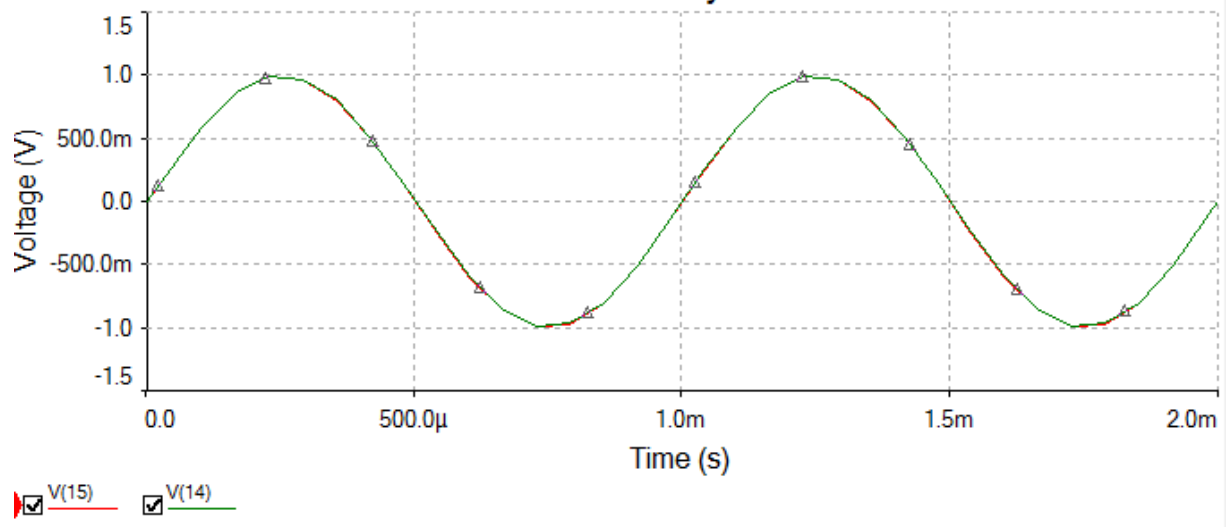
DC Transfer Characteristic



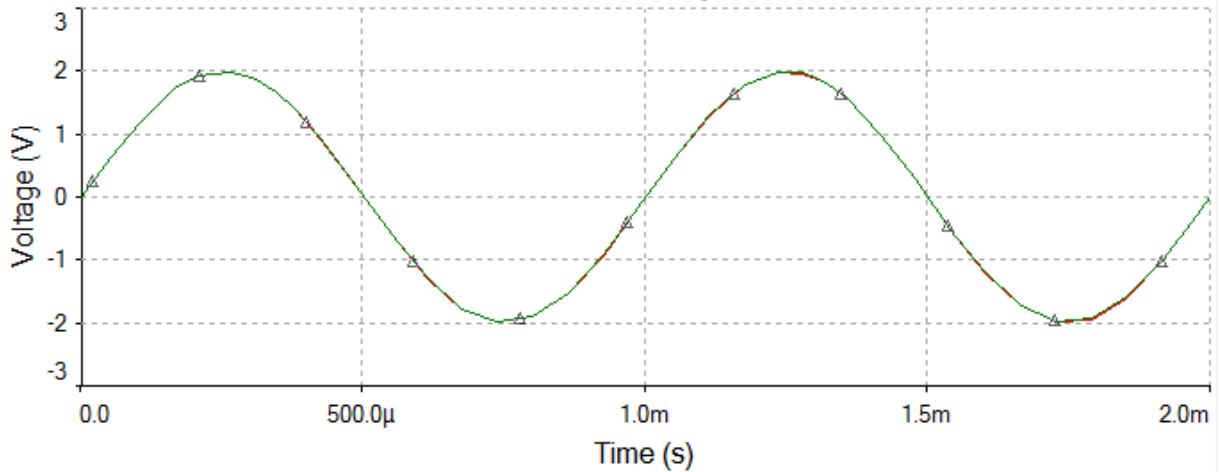
V(15)



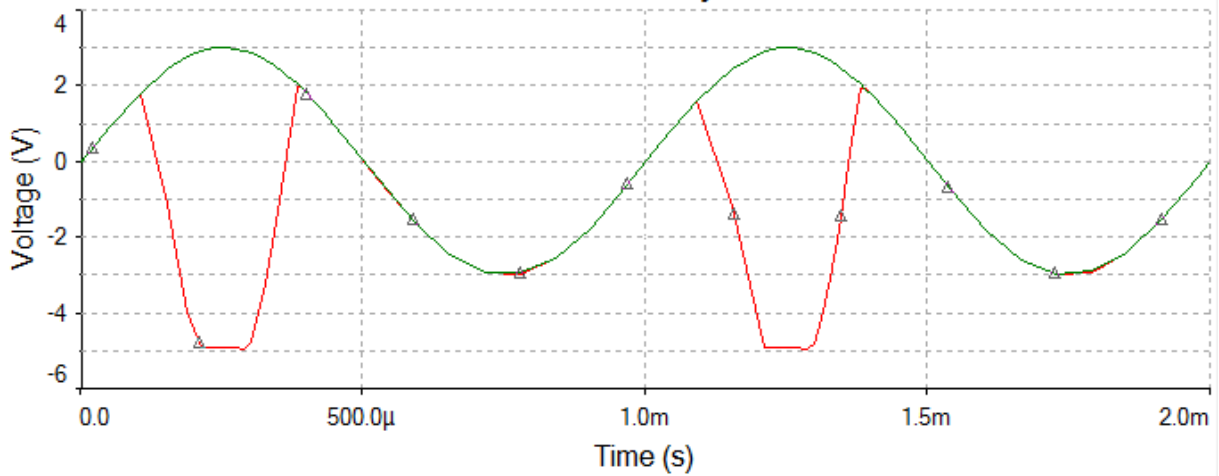
Transient Analysis



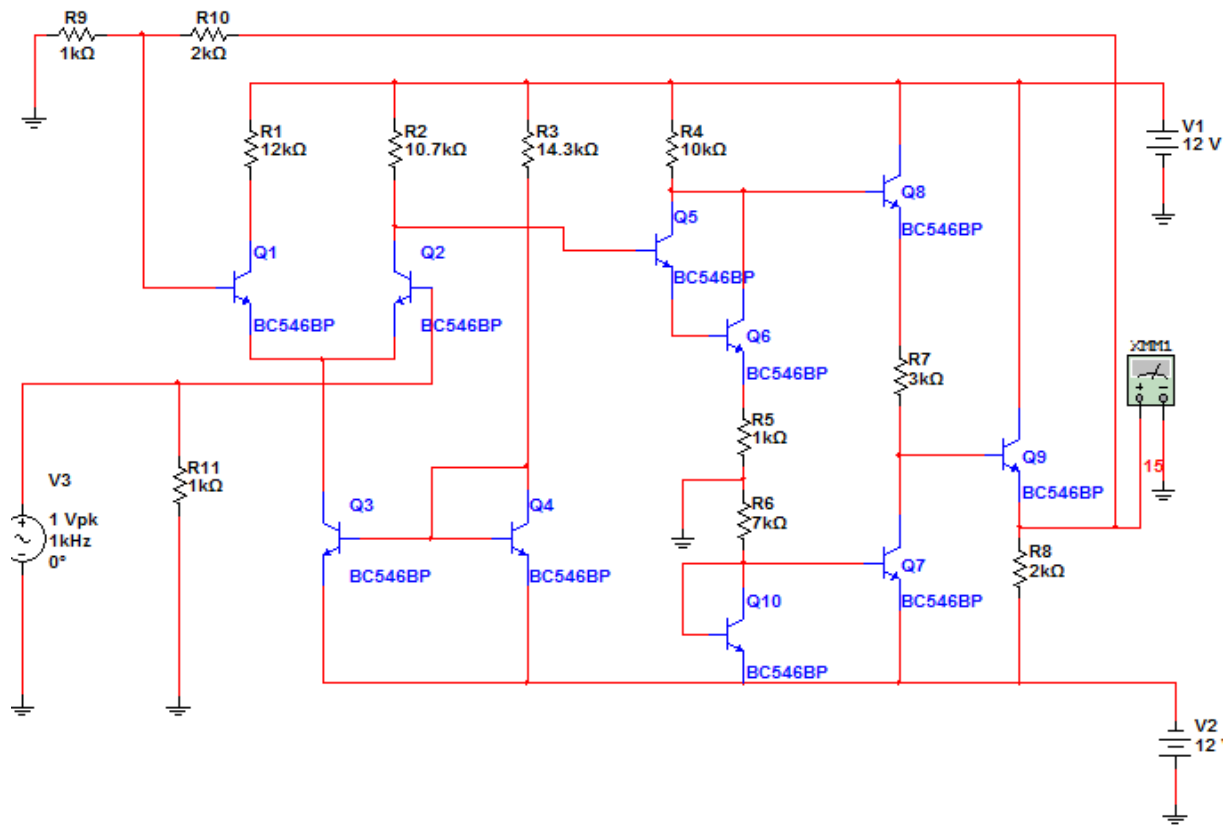
Transient Analysis



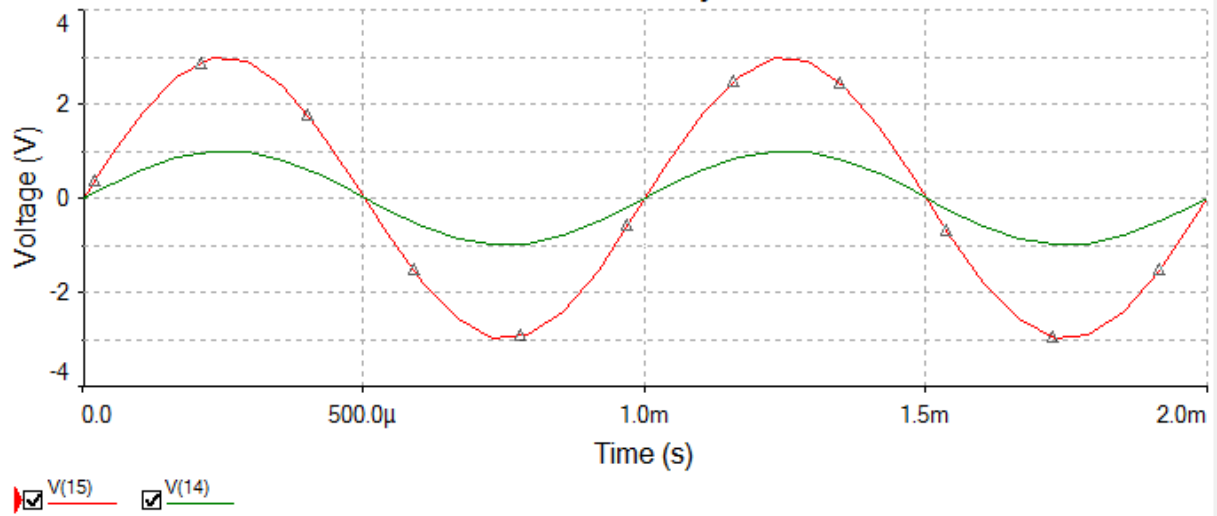
Transient Analysis

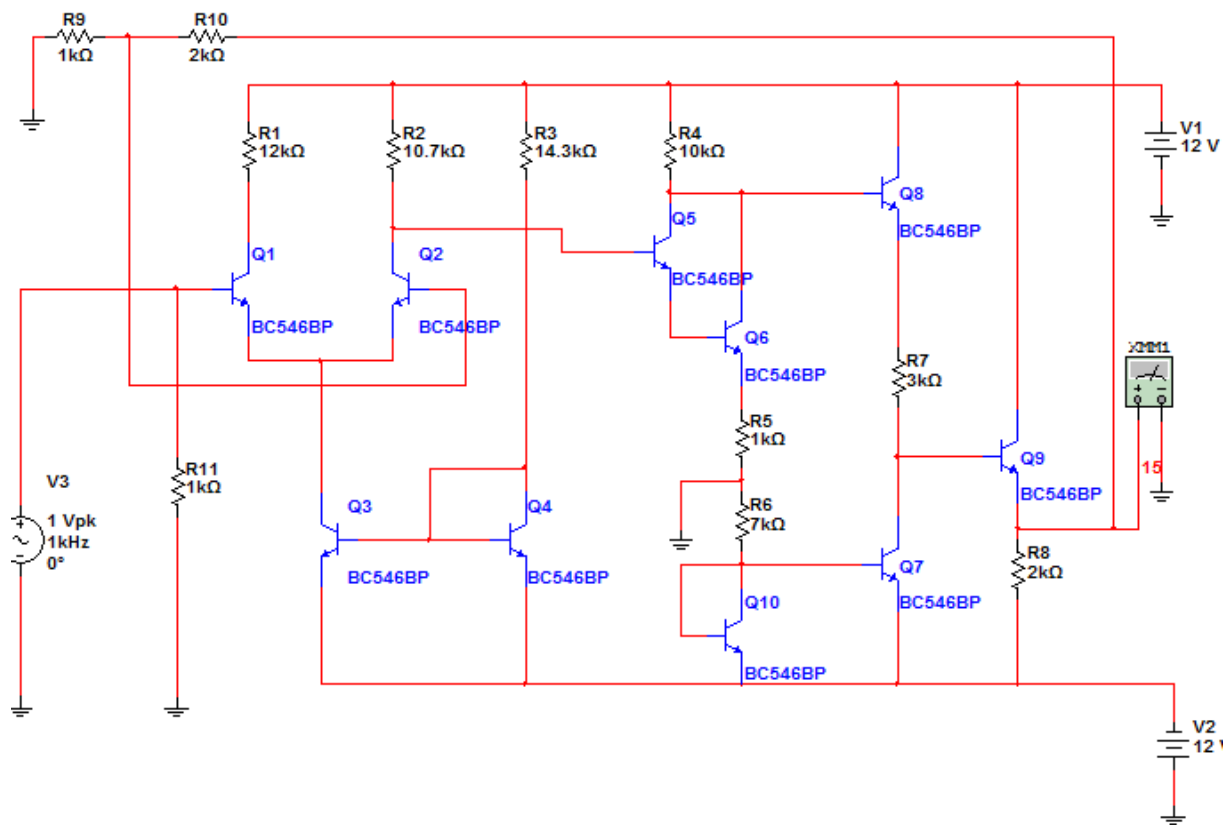


???



Transient Analysis





Transient Analysis

