

<b><i>SPARE PARTS LIST</i></b>
--------------------------------

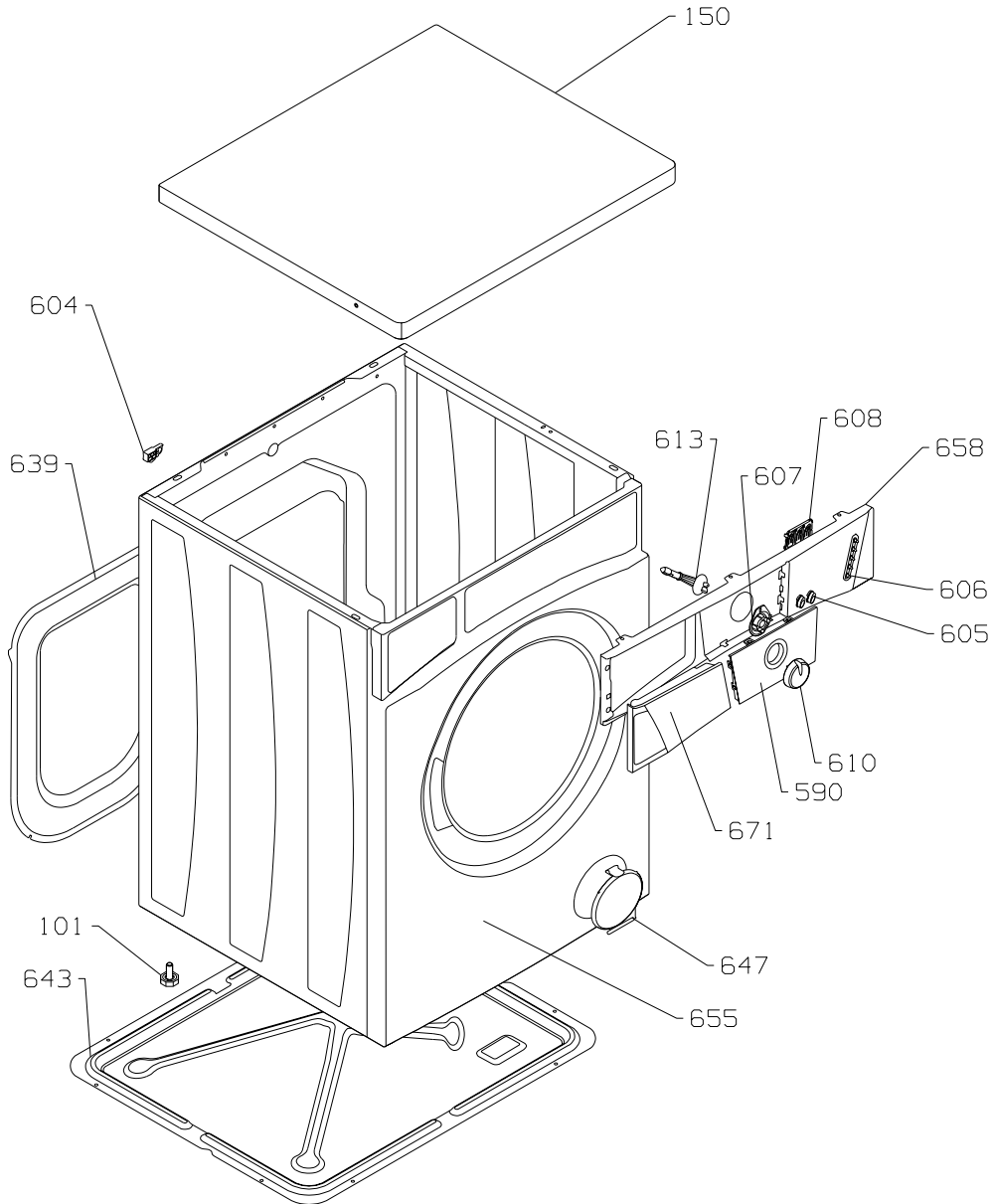
Spare parts list 0210323
--------------------------

Last revision: 2007-03-29
---------------------------

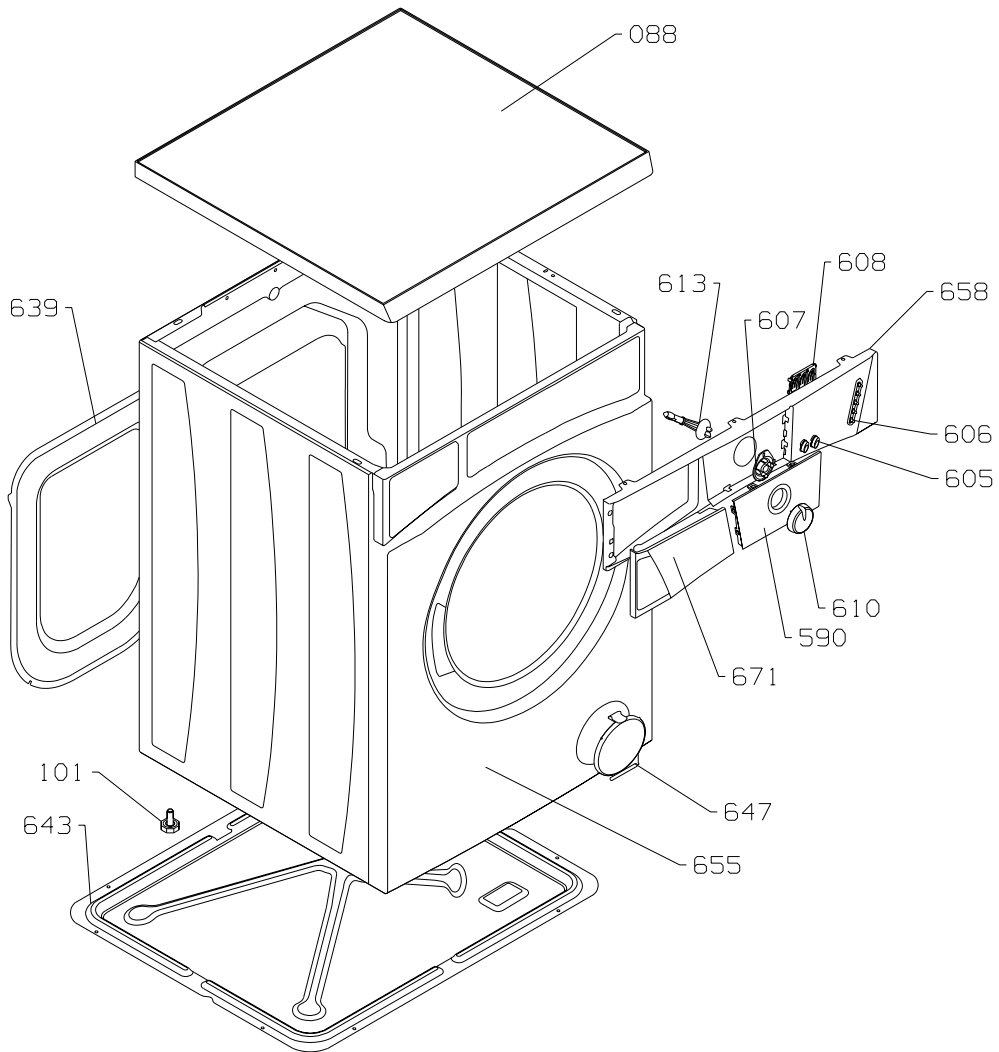
K101743
---------

<b>WASHING MACHINES AND TUMBLE DRYERS</b>
---

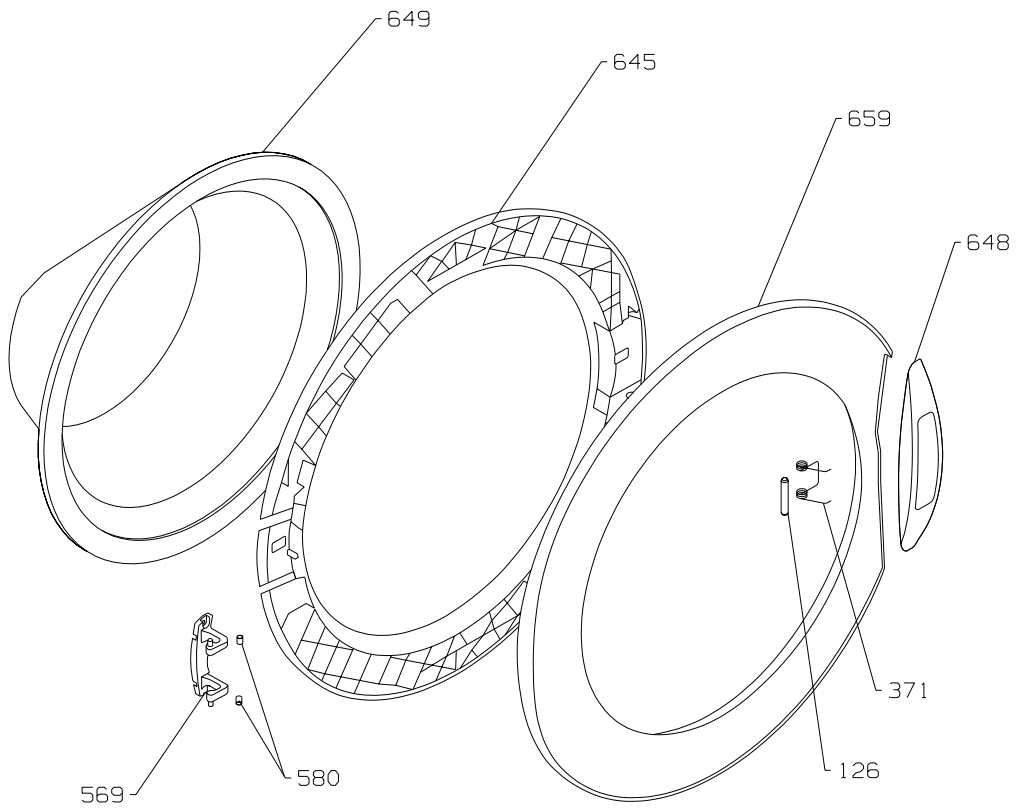
Tip	Model	Art. Number	Brand name	Modification:
PS13/10B	WA61101	101743	GORENJE	Jun-2004



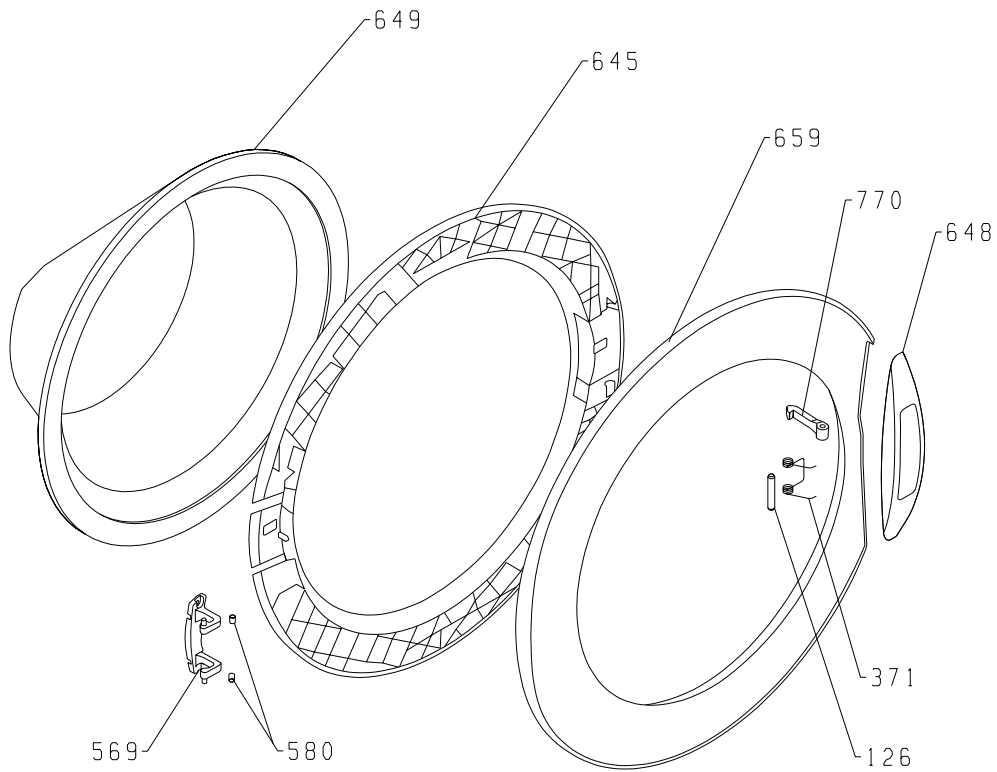
021B1  
BEFORE 50330001



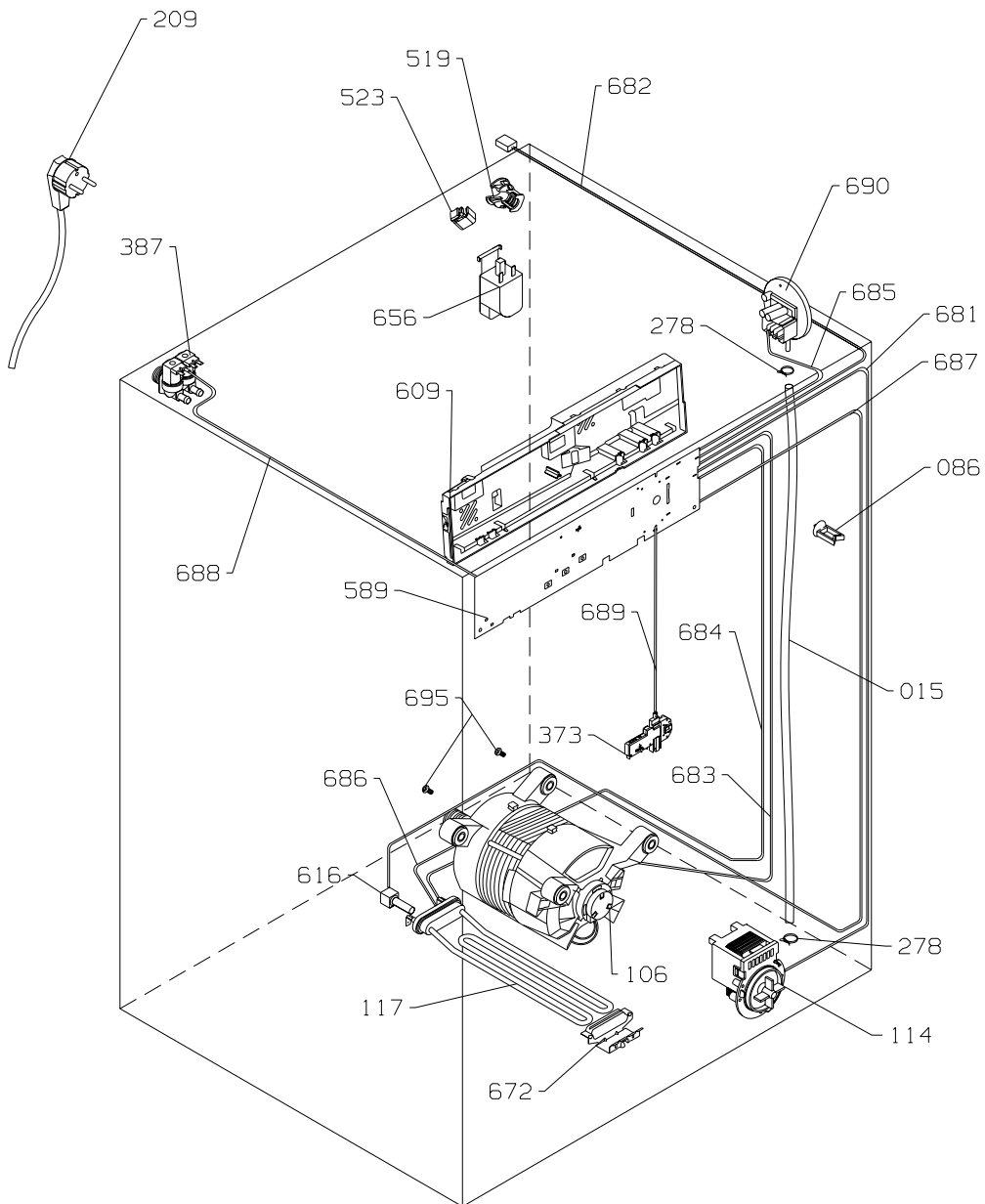
021B9  
AFTER 50330001



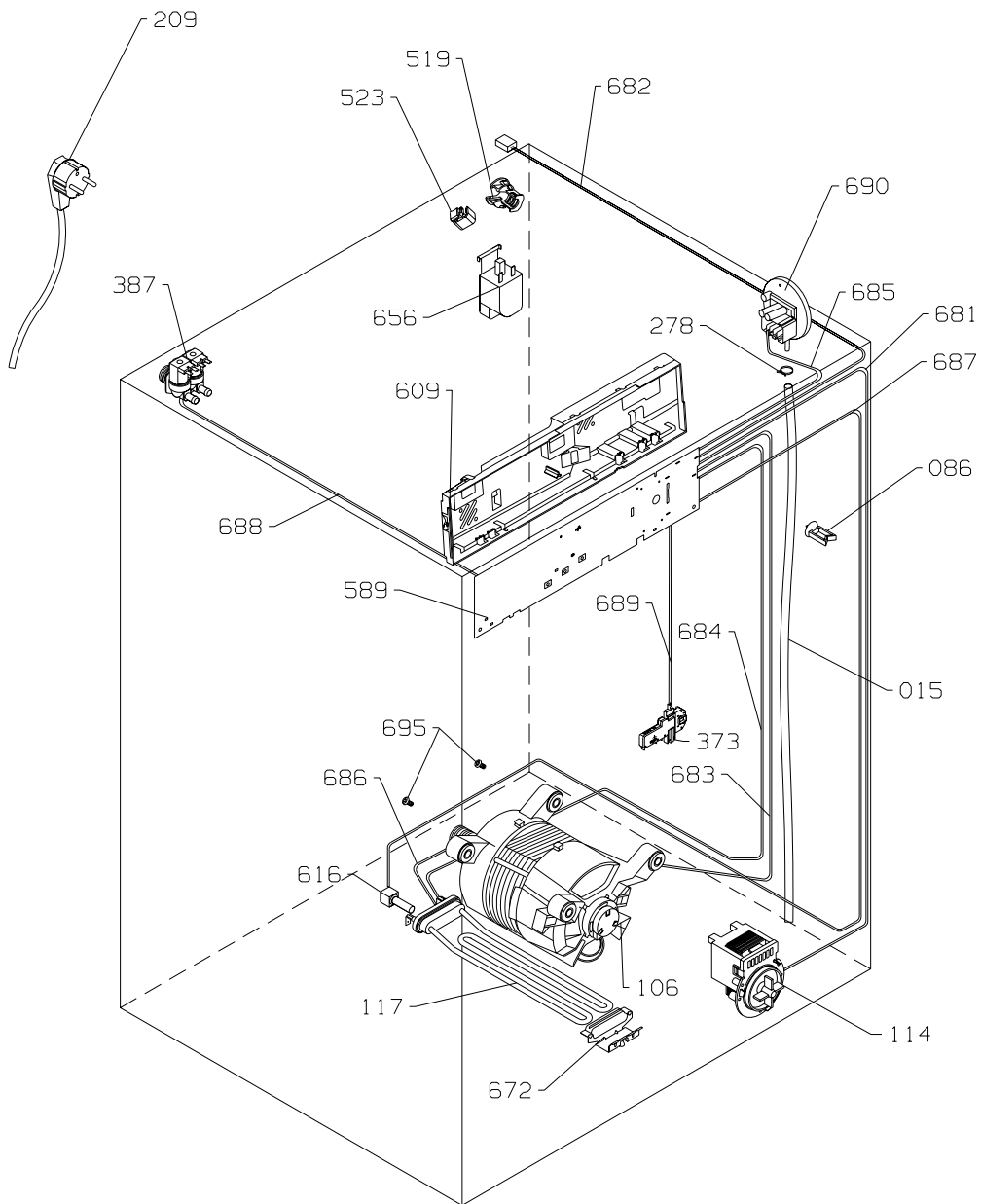
02217  
BEFORE  
6.11.2006



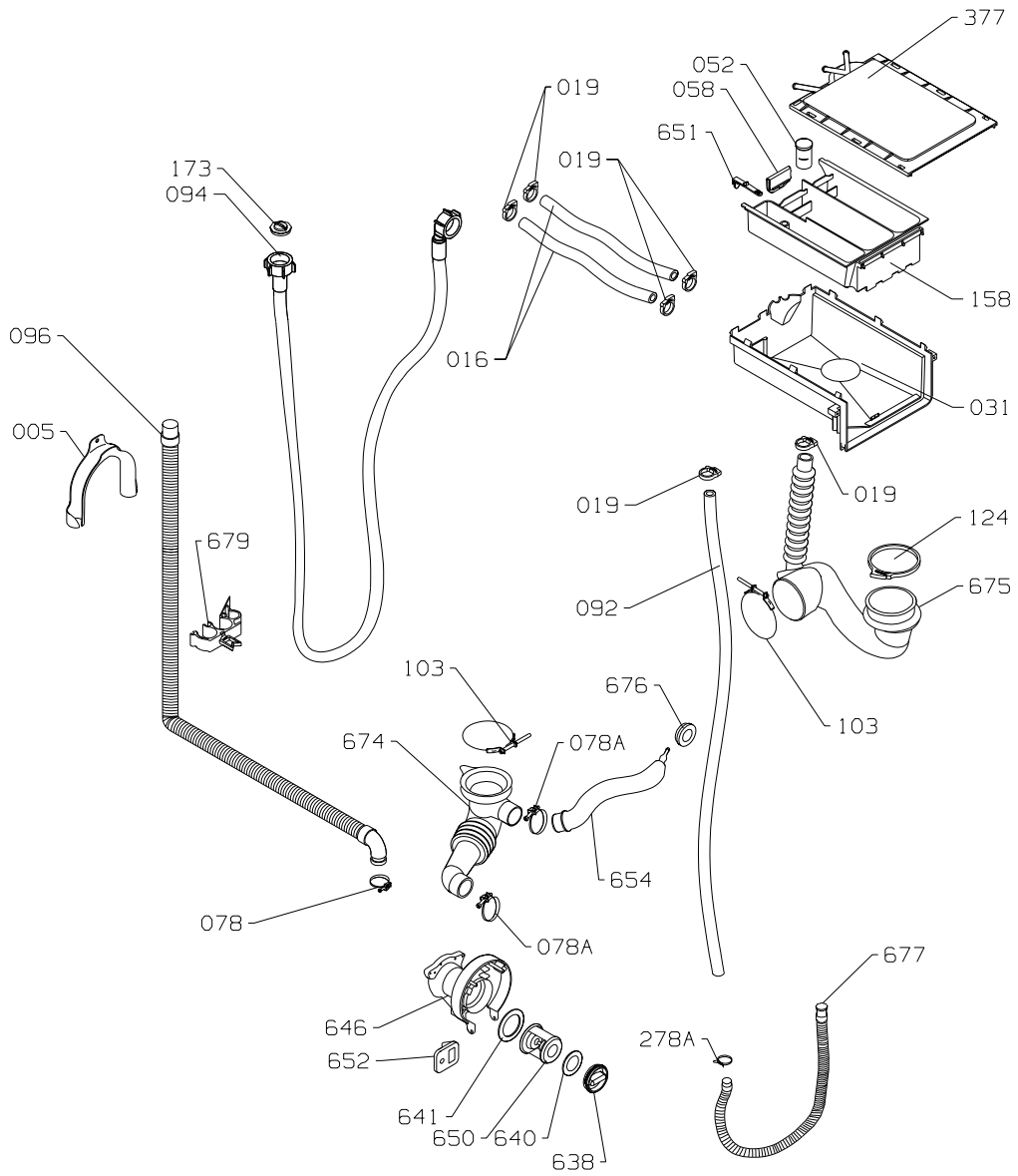
02217  
AFTER  
6.11.2006



023K3  
BEFORE  
54630001

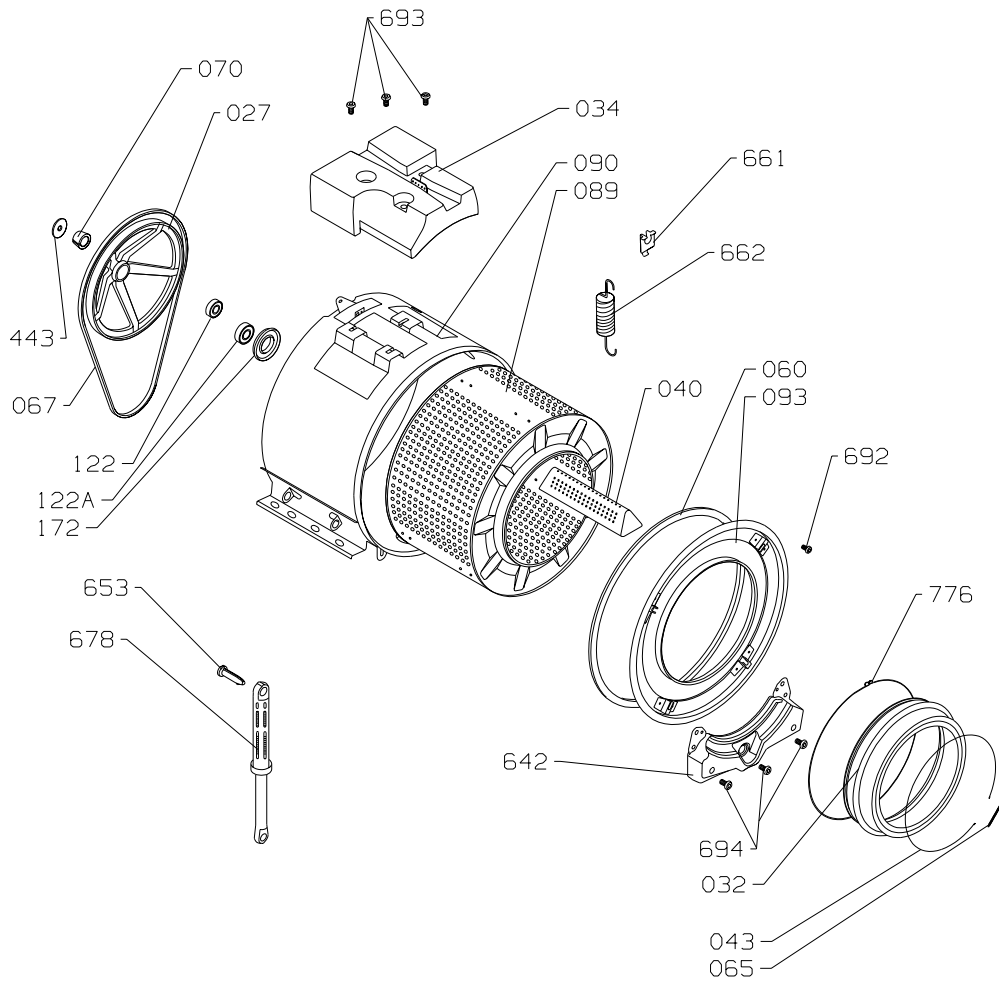


023K3  
AFTER  
54630001



02416





02506

Position	Ident	Name of spare part	Number of	Validity
005	357373	DISCHARGE HOSE BOW	1	
015	587444	HYDROSTAT HOSE	1	BEFORE 54630001
015	136480	HYDROSTAT HOSE	1	AFTER 54630001
016	309929	HOSE EL.VALVE-SOAP DISPENSER	2	
019	314400	CLIP PLASTIC	6	
027	587399	BELT PULLEY	1	
031	587460	SOAP DISPENSER HOUSING	1	BEFORE 10.11.2006
031	587618	SOAP DISPENSER HOUSING	1	AFTER 10.11.2006
032	581577	BOWL GASKET	1	
034	587353	UPPER BALANCE WEIGHT	1	
040	587403	DRUM RIB WITH SHOWER	3	
043	587426	WIRE CLIP	1	
052	587469	SUCTION HOSE	1	
058	587468	BAFFLE LIQUID DETERGENT	1	
060	587307	GASKET TUB-COUNTERWEIGHT	1	
065	381735	WIRE CLIP SPRING	1	
067	587612	BELT	1	
070	587405	PULLEY SLEEVE	1	
078	349484	WIRE CLIP	1	
078A	537874	WIRE CLIP	2	
086	547104	CLAMP	14	
088	581132	WORKING PLATE	1	AFTER 50330001
089	587411	DRUM	1	
090	587301	TUB	1	
092	587441	HOSE FILTER-SOAP DISPENSER	1	BEFORE 10.11.2006
093	587302	STAINLESS STEEL TUB	1	
094	552535	SUPPLY HOSE	1	
096	599218	DISCHARGE HOSE	1	
101	100934	ADJUSTABLE FOOT	4	
103	548401	WIRE CLIP	2	
106	587540	ELECTROMOTOR	1	
114	598576	DISCHARGING PUMP	1	
117	587565	TUBULAR HEATER	1	
122	375710	BEARING	1	
122A	375711	BEARING	1	
124	380899	CLIP PLASTIC	1	
126	587451	BOLT OF DOOR STUCKER	1	
150	581187	COVER	1	BEFORE 50330001
158	587471	SOAP DISPENSER DRAWER	1	
172	587315	WASHER RING	1	
173	553733	SEAL WITH SIEVE	1	
209	132222	CABLE AND PLUG	1	
278	599220	CLIP	2	BEFORE 54630001
278	387524	CLIP	1	AFTER 54630001
278A	660038	CLIP	1	

Position	Ident	Name of spare part	Number of	Validity
371	587452	SPRING OF DOOR STUCKER	1	BEFORE 6.11.2006
371	158696	SPRING OF DOOR STUCKER	1	AFTER 6.11.2006
373	587570	DOOR SWITCH	1	
377	587463	SOAP DISPENSER COVER	1	
387	587558	ELECTRO VALVE DOUBLE	1	
443	526068	WASHER	1	
519	667400	INITIATION SLEEVE	1	
523	667401	CLIP FOR INITIATION SLEEVE	1	
569	581113	DOOR HINGE	1	
580	581115	HINGE BUSHING	2	
589	587626	RUDDER-CONTROL UNIT	1	BEFORE 52330001
589	135701	RUDDER-CONTROL UNIT	1	AFTER 52330001
590	106509	FRONT PANEL INSERTED PIECE	1	BEFORE 52330001
590	135703	FRONT PANEL INSERTED PIECE	1	AFTER 52330001
604	581135	COVERSUPPORT	4	BEFORE 50330001
605	581267	KEY	2	
606	581276	PHAZE DISPLAY	1	
607	581281	ILLUMINATION PLATE	1	
608	587486	KEY SUPPORT	1	
609	587492	ELECTRONIC SUPPORT	1	
610	581266	CONTROL KNOB	1	
613	581268	BUTTONJOINT	1	
616	581213	TEMPERATURE SENSOR	1	
638	587430	FILTER COVER	1	
639	137637	REAR WALL COVER	1	
640	587439	FILTER COVER GASKET	1	
641	587698	FILTER INSERTION GASKET	1	
642	587641	COUNTERWEIGHT - FRONT	1	
643	587373	BOTTOM	1	BEFORE 62230001
643	149190	BOTTOM	1	AFTER 62230001
645	587448	DOOR FRAME INNER	1	
646	587427	FILTER HOUSING	1	BEFORE 10.11.2006
646	169185	FILTER HOUSING	1	AFTER 10.11.2006
647	587385	COVER FOR FILTER	1	
648	587450	HANDLE	1	BEFORE 6.11.2006
648	158698	HANDLE	1	AFTER 6.11.2006
649	587447	GLASS DOOR	1	
650	587434	FILTER INSERTION	1	
651	587470	SNAP PIN	1	
652	587438	FILTER SHOCK ABSORBER	1	
653	587313	TUB SHOCK ABSORBER PIN	2	
654	587429	HYDROSTAT CAP	1	

Position	Ident	Name of spare part	Number of	Validity
655	587658	HOUSING	1	
656	587575	RSO-FILTER	1	
658	106513	FRONT PANEL	1	
659	587449	DOOR FRAME OUTER	1	
661	587375	TUB SPRING INSERTION PIECE	2	
662	587305	TUB SPRING	2	
671	587808	SOAP DISPENSER HANDLE	1	
672	587402	HEATER CLAMP	1	
674	587436	HOSE TUB-FILTER	1	BEFORE 52930001
674	132733	HOSE TUB-FILTER	1	AFTER 52930001
675	587386	INLET HOSE	1	
676	587702	INITIATION SLEEVE	1	
677	587440	HOSE	1	
678	111818	TUB SHOCK ABSORBER	2	
679	105858	SUPPORT EVEHTING BELLOWS HOSE	2	
681	118489	PUMP WIRING HARNESS	1	
682	587587	WIRING HARNESS POWER SUPPLY	1	
683	118487	WIRING HARNESS ELECTRICMOTOR	1	
684	587589	WIRING HARNESS HEATER	1	
685	118780	WIRING HARNESS HYDROSTAT	1	
686	587703	WIRING HARNESS GROUNDING	1	
687	118535	WIRING HARNESS TEMPERATURE SENSOR	1	
688	118531	WIRING HARNESS ELECTRO VALVE	1	
689	118485	WIRING HARNESS DOOR SWITCH	1	
690	134310	HYDROSTAT	1	BEFORE 52930001
690	134312	HYDROSTAT	1	AFTER 52930001
690	134310	HYDROSTAT	1	AFTER 55030001
692	587308	SCREW	16	
693	587309	SCREW	3	
694	587310	SCREW	3	
695	587311	SCREW	2	
770	158697	DOOR STUCKER	1	AFTER 6.11.2006
776	122062	SPRING	1	