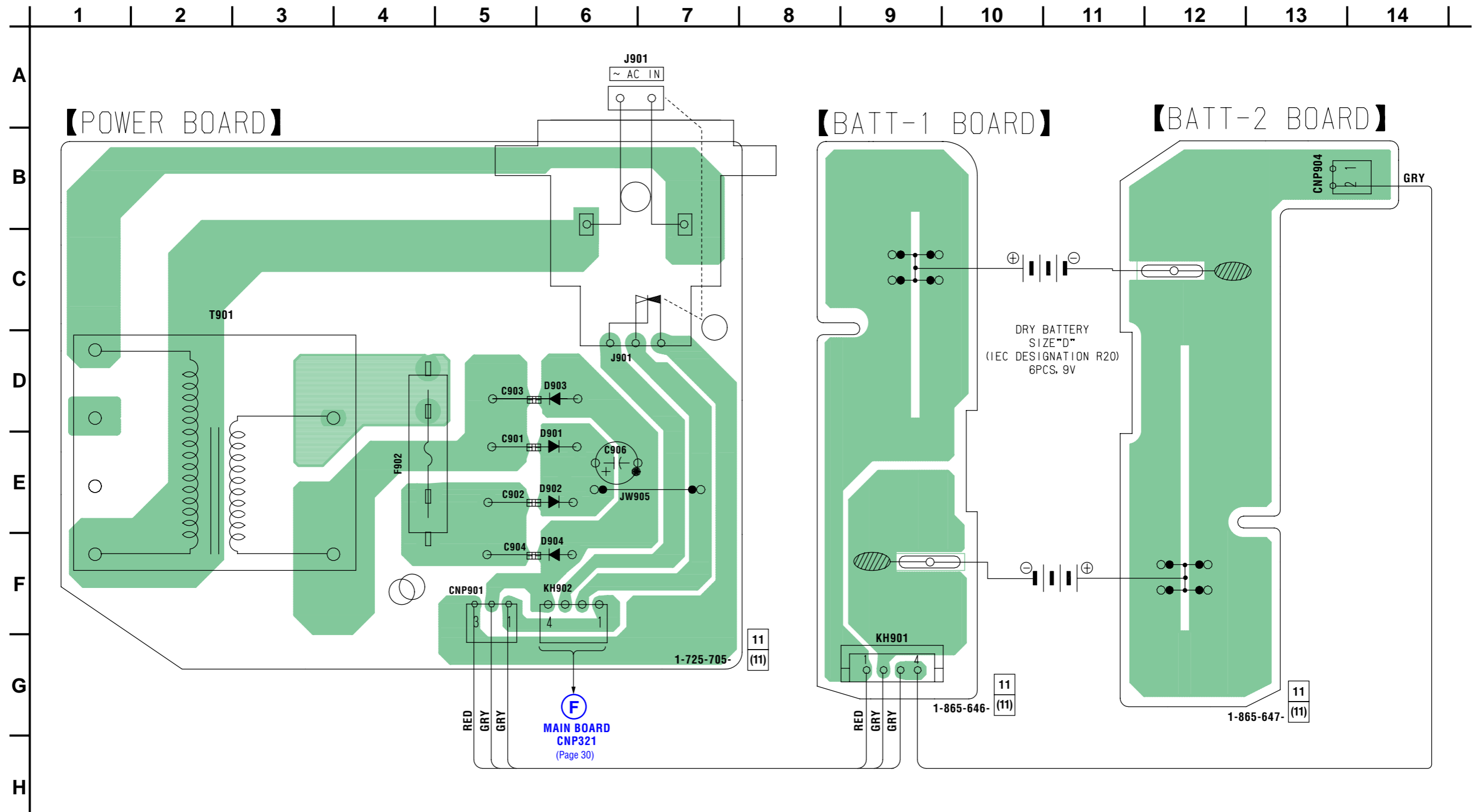
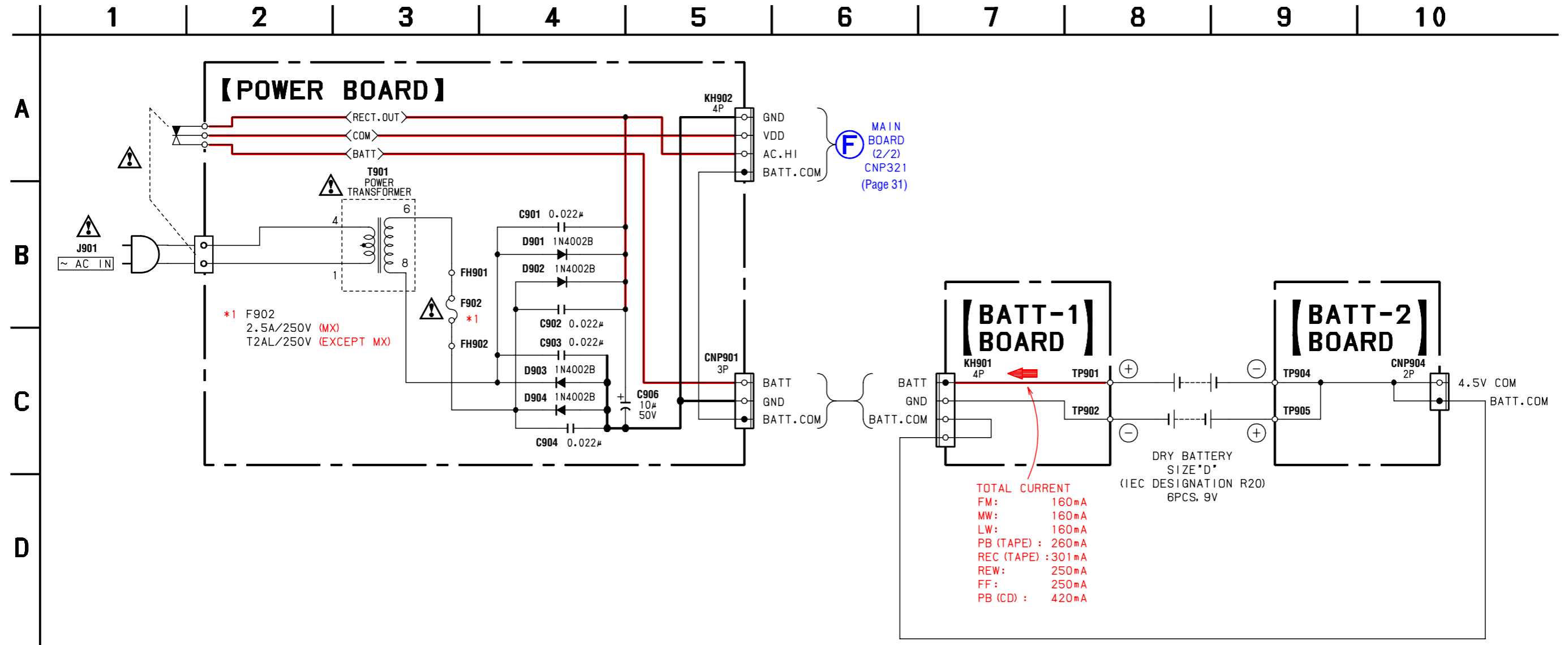


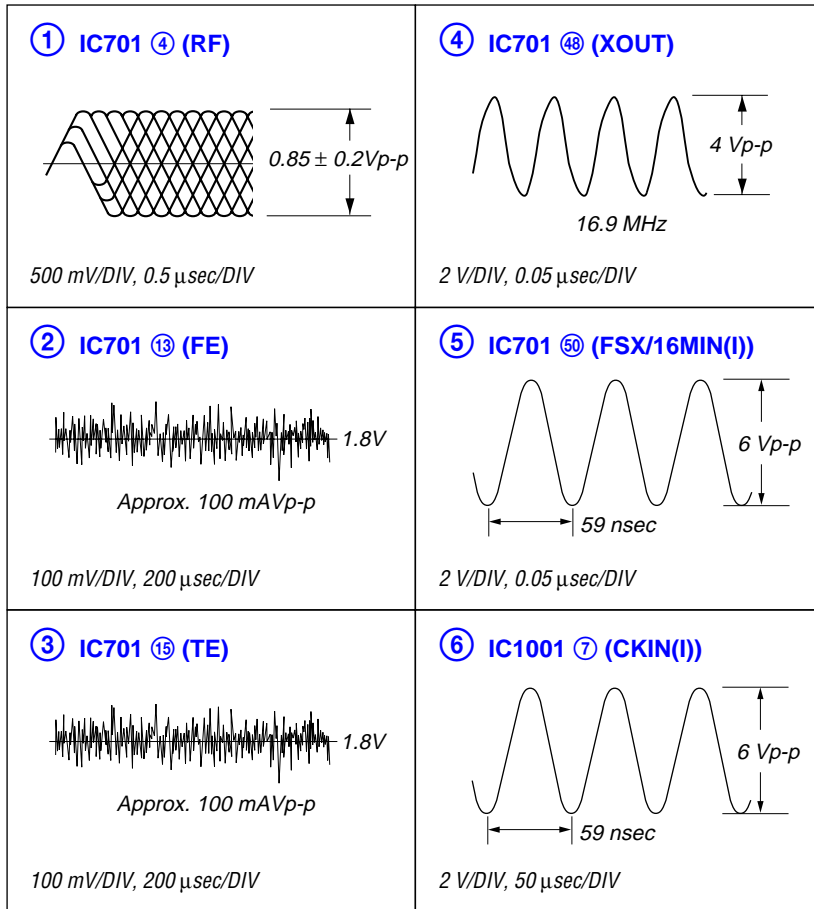
6-18. PRINTED WIRING BOARDS – POWER SECTION – • See page 23 for Circuit Boards Location.  :Uses unleaded solder.



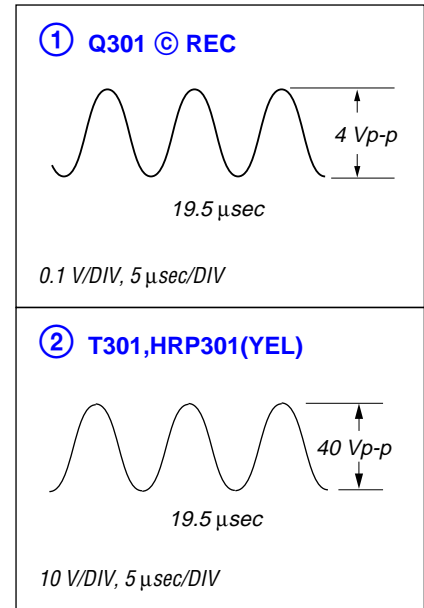


• Waveforms

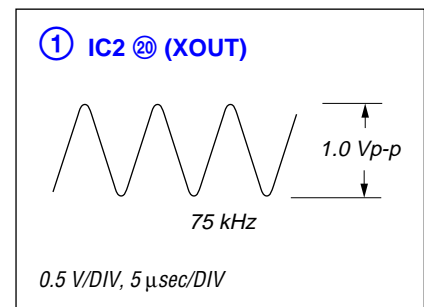
– MP3-CD Board –



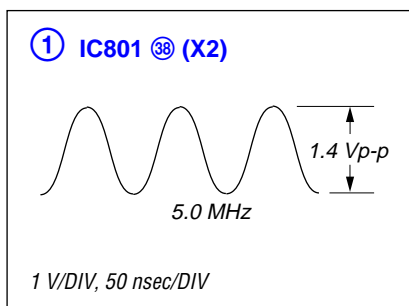
– TC Board –



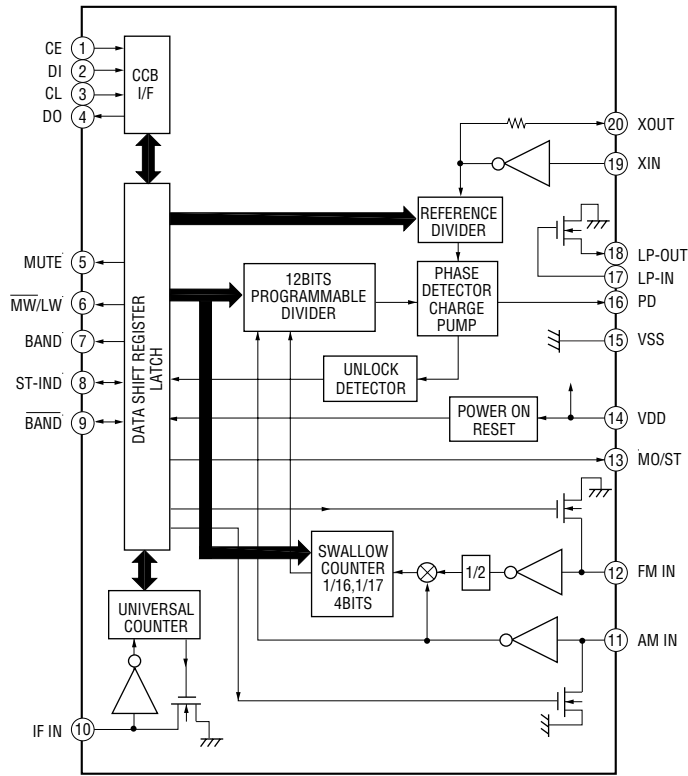
– TUNER Board –



– MAIN Board –

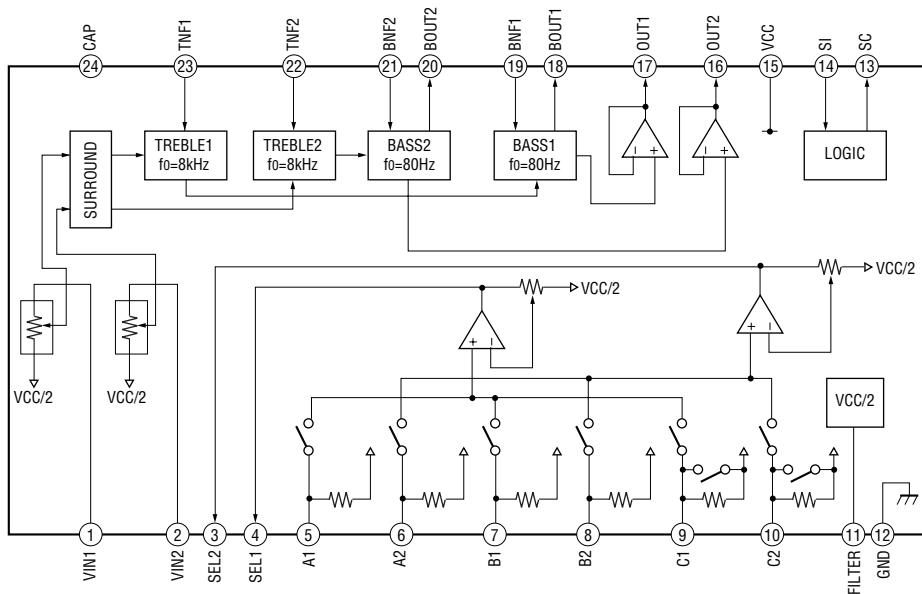


IC2 LC72137M-TLM-E

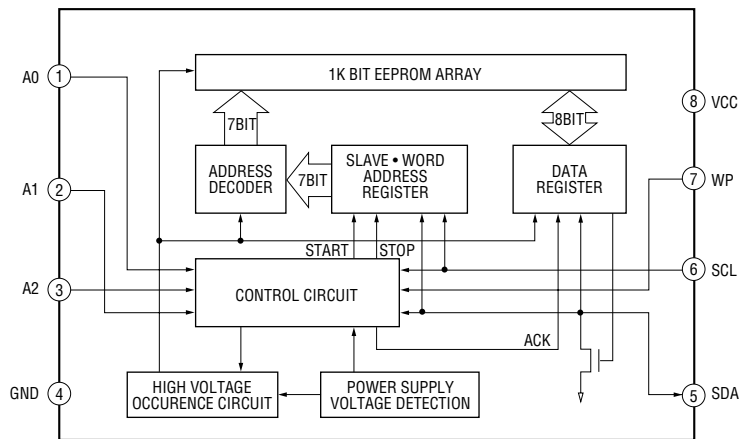


- MAIN Board -

IC302 BD3870FS-E2

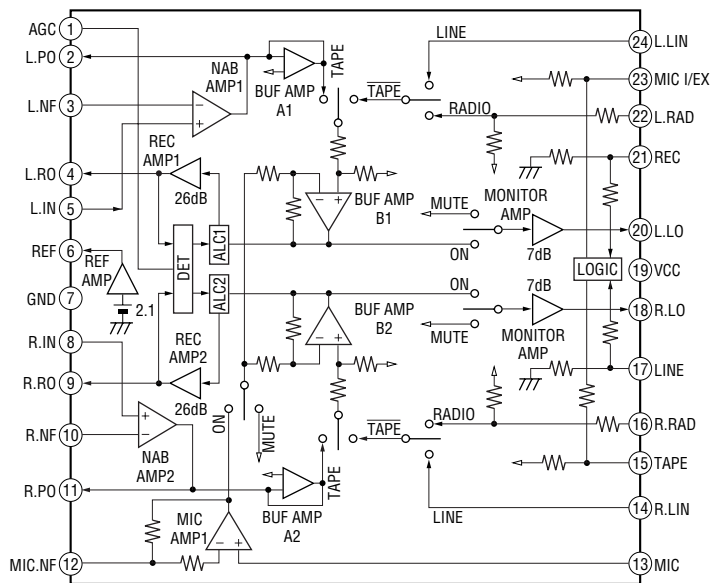


IC802 CAT24WC02WI-1.8-TE13



- TC Board -

IC301 TA2068N



• IC Pin Function Description

MAIN BOARD IC801 uPD784216AGF (SYSTEM CONTROL)

Pin No.	Pin Name	I/O	Description
1	TU-CE	O	Tuner PLL chip enable signal output
2	TU-DATA	O	Tuner PLL data signal output
3	TU-CLK	O	Tuner PLL clock signal output
4	TU-COUNT	I	Tuner PLL data signal input
5	TU-MUTE	O	IF mute signal output
6	SIMUKE1	I	Destination port input
7	SIMUKE2	I	Destination port input
8	TEST B	I	Not used. (Pull down)
9	VDD	—	Power supply
10	TEST A	I	Not used. (Pull down)
11	EPROM-SCL	O	EEPROM serial clock output
12	EPROM-SDA	I/O	EEPROM serial data input/output
13	SIMUKE3	I	Destination port input
14 to 16	NC	—	Not used. (Open)
17, 18	ISS1, ISS2	O	Tuner beat change signal output
19	TU-ON	O	Tuner power supply control signal output
20	TAPE-ON	O	Tape power supply control signal output
21	CD-ON	O	CD power supply control signal output
22	TEST/VPP	I	Not used. (Pull down))
23, 24	NC	—	Not used. (Open)
25	SLEEP-LED	O	LCD back light control signal output
26, 27	NC	—	Not used. (Open)
28	MP3-LED	O	MP3 LED control signal output
29	LCD-RST	O	LCD driver reset signal output
30	LCD- C/D	O	LCD driver command data output
31	LCD CS	O	LCD driver chip select signal output
32	LCD DATA	O	LCD driver serial data output
33	LCD CLK	O	LCD driver serial clock signal output
34	NC	—	Not used. (Open)
35	FM/AM SHIFT	O	Tuner band control signal output
36	NC	—	Not used. (Open)
37	VDD	—	Power supply
38	X2	O	Oscillation signal output (5 MHz)
39	X1	I	Oscillation signal input (5 MHz)
40	VSS	—	Ground
41	XT2	O	Not used. (Open)
42	XT1	I	Not used. (connected ground)
43	RESET	I	System reset signal input
44	AC-CHK	I	AC power supply check signal input
45	RMC IN	I	Remote control signal input
46	WAKE-UP	I	Key interrupt signal input
47	INITLI	I	Mode read signal input
48	CD-DOOR	I	CD door detection signal input
49	INTB(MP3)	I	Interrupt signal input from MP3 decoder
50	WRQ(CD)	I	CD write request data input
51	AVDD	—	Power supply
52	AVREF0	I	A/D reference voltage input

Pin No.	Pin Name	I/O	Description
53 to 55	KEY1 to KEY3	I	Function key signal input
56	MODE	O	Mode read signal output
57	NC	—	Not used. (Open)
58	REG-CHK	I	Regulator +6V voltage check input
59	VH	I	Battery voltage check signal input
60	VM	I	Battery center voltage check signal input
61	AVSS	—	Ground
62, 63	NC	—	Not used. (Open)
64	AVREF1	I	A/D reference voltage input
65 to 67	NC	—	Not used. (Open)
68	CMDOUT(MP3)	O	MP3 serial data output to MP3 decoder
69	CMDIN(MP3)	I	MP3 serial data input from MP3 decoder
70	CL(MP3)	O	MP3 serial clock output to MP3 decoder
71	NC	—	Not used. (Open)
72	DRF(CD)	I	CD DRF signal input
73	DO(CD)	I	CD serial data input
74	DI(CD)	O	CD serial data output
75	CL(CD)	O	CD serial clock output
76	CE(CD)	O	CD chip enable signal output
77	FSEQ(CD)	I	CD frame synchronizing signal detection input
78	RES(CD)	O	CD reset signal output
79	(MP3)RESB	O	MP3 reset signal output
80	(MP3)CE	O	MP3 chip enable signal output
81 to 90	NC	—	Not used. (Open)
91	A-MUTE	O	Line mute signal output
92	MEGABASS	O	MEGABASS control signal output
93	P-CON	O	Power supply control signal output
94	V-DATA	O	E-volume control data output
95	V-CLOCK	O	E-volume control data clock output
96	NC	—	Not used. (Open)
97	TAPE PLAY	I	Tape play detection signal input
98	REC-IN	I	Tape recording detect signal input
99	NC	—	Not used. (Open)
100	VSS	—	Ground

SECTION 7 EXPLODED VIEWS

NOTE:

- -XX and -X mean standardized parts, so they may have some difference from the original one.
- Items marked "*" are not stocked since they are seldom required for routine service. Some delay should be anticipated when ordering these items.
- The mechanical parts with no reference number in the exploded views are not supplied.

- Abbreviation
 CET : East European and CSI model.
 EA : Saudi Arabia model.
 KR : Korean model.
 MX : Mexican model.
 RU : Russian model.
 SP : Singapore model.
 TH : Thai model.
- Accessories are given in the last of electrical parts list.

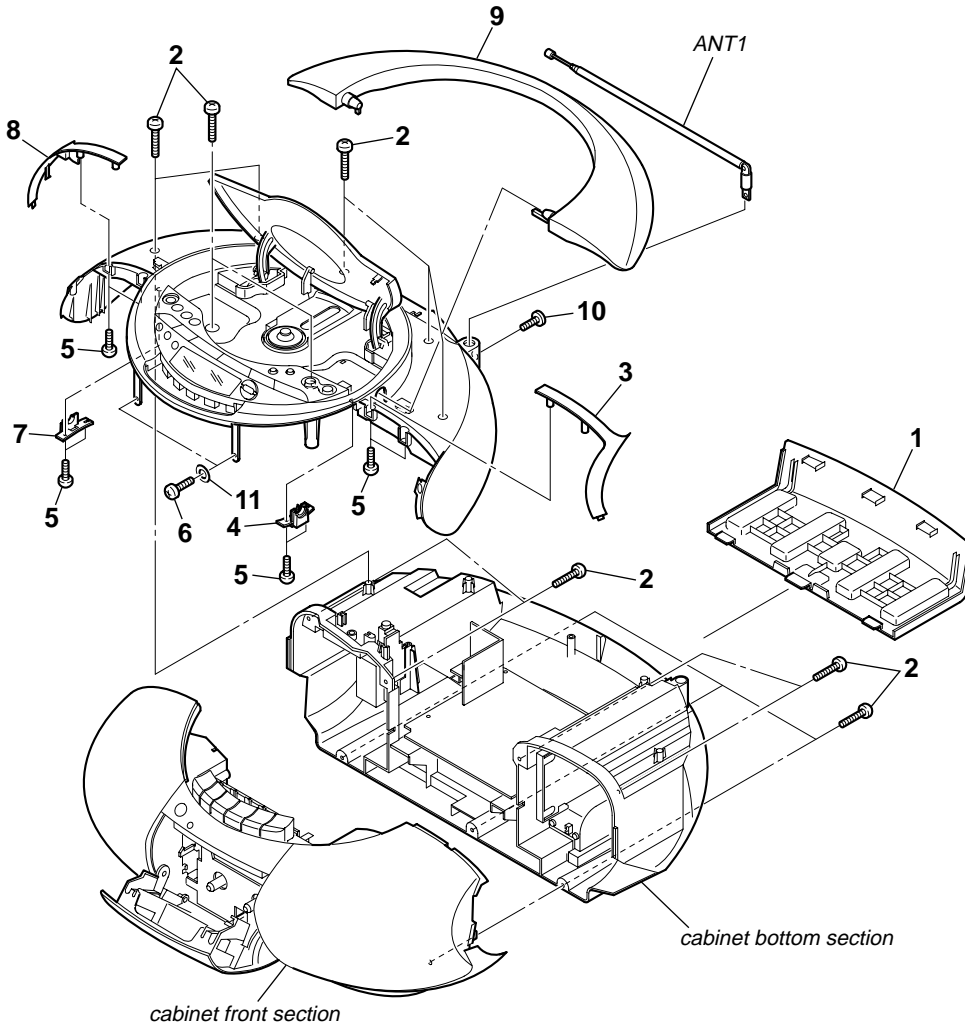
The components identified by mark \triangle or dotted line with mark \triangle are critical for safety. Replace only with part number specified.

- Color Indication of Appearance Parts
 Example:
 KNOB, BALANCE (WHITE) . . . (RED)

↑
↑

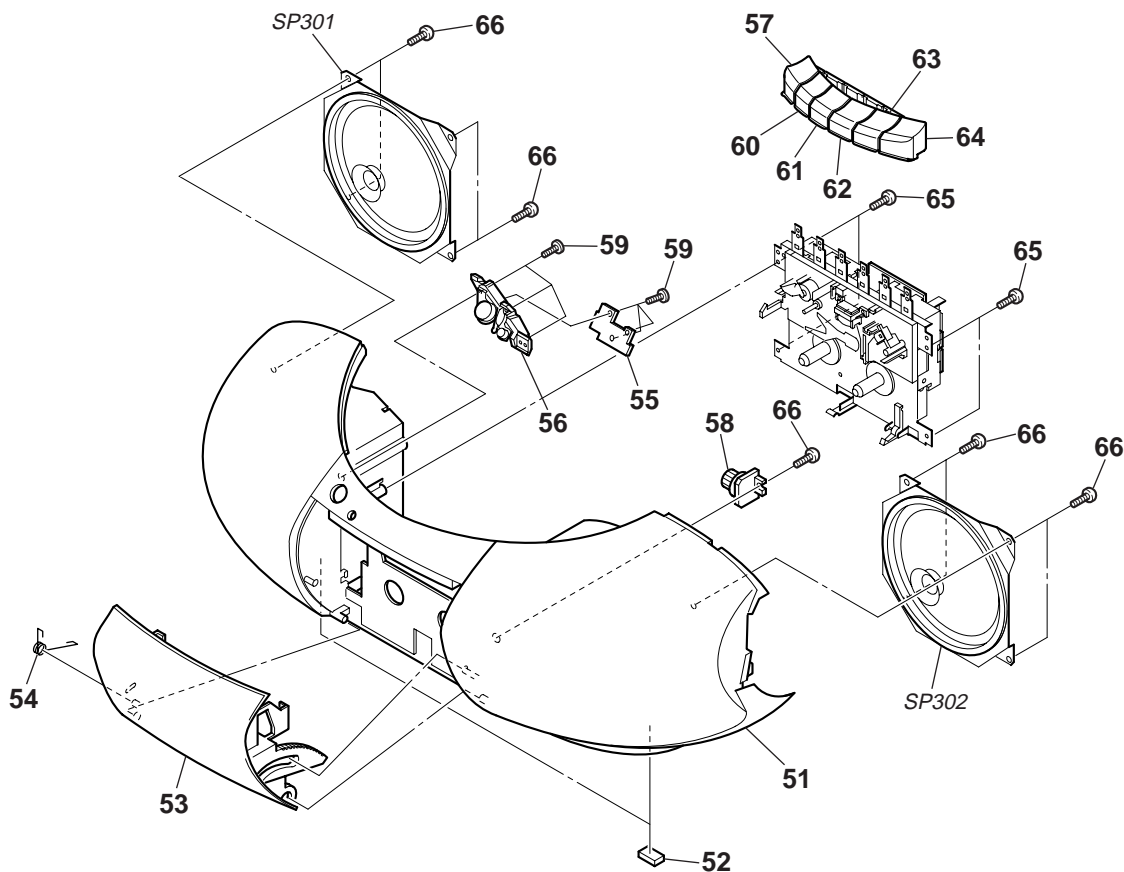
 Parts of Color Cabinet's Color

7-1. CABINET SECTION



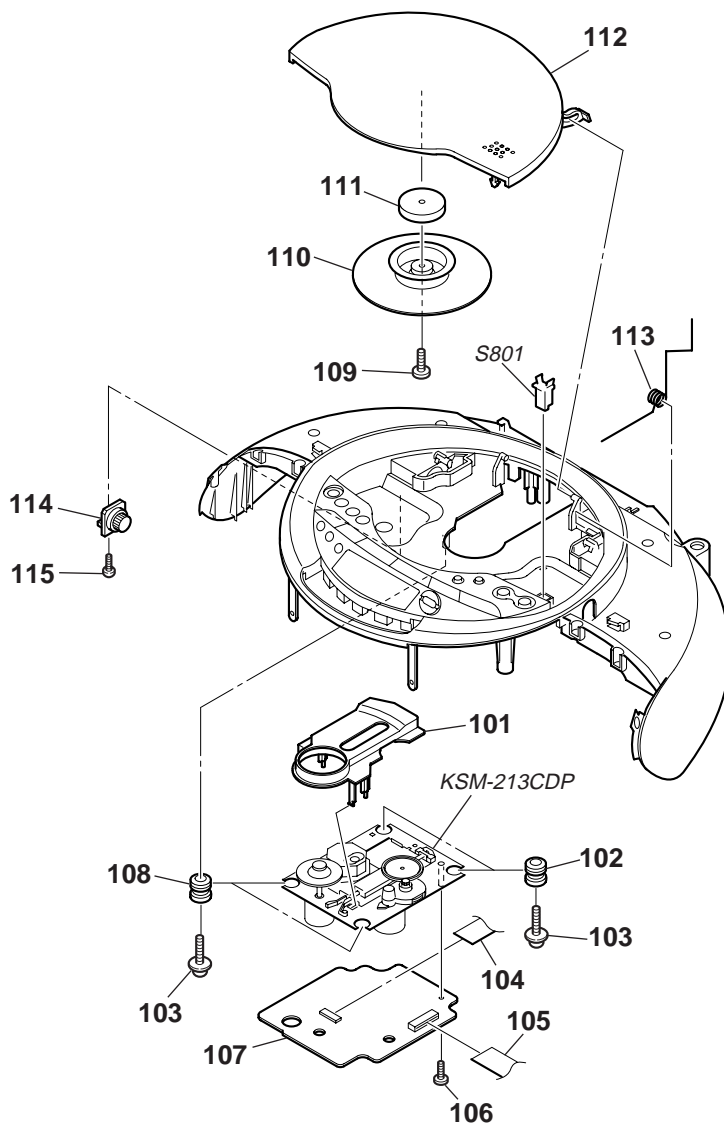
Ref. No.	Part No.	Description	Remark	Ref. No.	Part No.	Description	Remark
1	3-261-973-01	LID, BATTERY (SILVER)...(SILVER)		7	2-547-158-11	HOLDER (HANDLE) (L) (BLUE)...(BLUE)	
1	3-261-973-41	LID, BATTERY (BLUE)...(BLUE)		7	2-547-158-21	HOLDER (HANDLE) (L) (SILVER)...(SILVER)	
2	3-254-140-01	SCREW (B2.6), (+) BV TAPPING (for BLUE)		8	2-547-144-11	COVER (HANDLE) (L) (BLUE)...(BLUE)(CET, RU)	
2	3-254-140-11	SCREW (B2.6), (+) BV TAPPING (for SILVER)		8	2-547-144-21	COVER (HANDLE) (L) (SILVER)...(SILVER)	(EA, KR, MX, SP, TH)
3	2-547-157-11	COVER (HANDLE) (R) (BLUE)...(BLUE)		9	2-547-124-11	HANDLE (BLUE)...(BLUE)	
3	2-547-157-21	COVER (HANDLE) (R) (SILVER)...(SILVER)		9	2-547-124-21	HANDLE (SILVER)...(SILVER)	
4	2-547-159-11	HOLDER (HANDLE) (R) (BLUE)...(BLUE)		10	3-252-833-01	SCREW (M3), (+) P	
4	2-547-159-21	HOLDER (HANDLE) (R) (SILVER)...(SILVER)		11	7-688-002-11	W2.6, MIDDLE	
5	3-252-827-01	SCREW (B2.6), (+) BV TAPPING		ANT1	1-754-376-11	ANTENNA, TELESCOPIC (FM)	
6	3-254-151-01	SCREW (B2.6), (+) P TAPPING					

7-2. CABINET (FRONT) SECTION



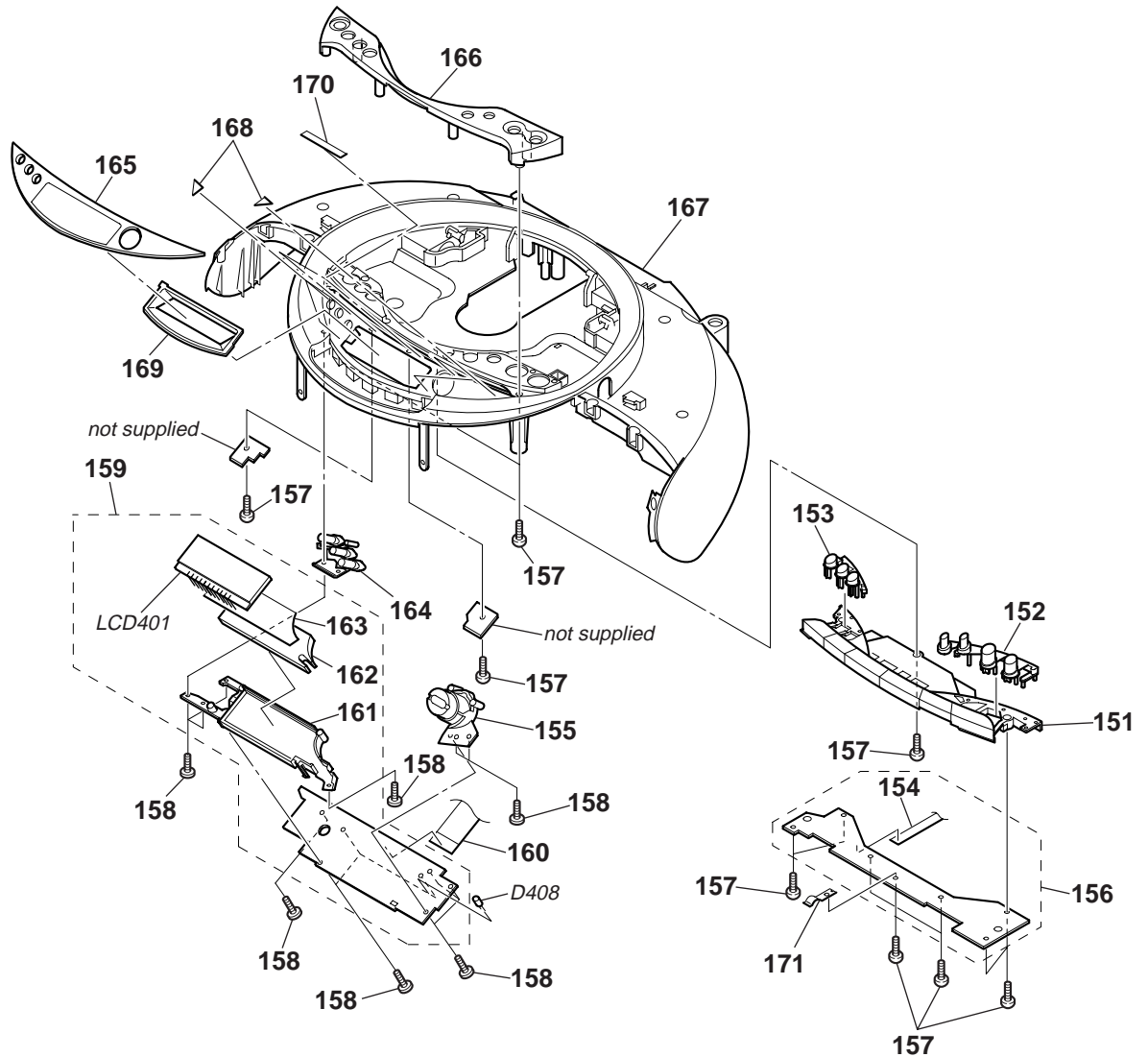
Ref. No.	Part No.	Description	Remark	Ref. No.	Part No.	Description	Remark
51	X-2050-349-1	CABINET (FRONT) SUB ASSY (SILVER)...(SILVER) (EA,KR,MX,SP,TH)		59	3-254-070-01	SCREW	
51	X-2050-352-1	CABINET (FRONT) SUB ASSY (BLUE)...(BLUE) (CET,RU)		60	2-547-136-11	BUTTON (S/E) (BLUE)...(BLUE)	
51	X-2059-483-1	CABINET (FRONT) SUB ASSY (SILVER)...(SILVER) (AEP,UK,CET,RU)		60	2-547-136-21	BUTTON (S/E) (SILVER)...(SILVER)	
52	3-040-916-01	FOOT (FRONT), RUBBER		61	2-547-139-11	BUTTON (REW) (BLUE)...(BLUE)	
53	2-547-123-11	HOLDER, CASSETTE (SILVER)...(SILVER)		61	2-547-139-21	BUTTON (REW) (SILVER)...(SILVER)	
53	2-547-123-21	HOLDER, CASSETTE (BLUE)...(BLUE)		62	2-547-138-11	BUTTON (FF) (BLUE)...(BLUE)	
54	2-547-170-01	SPRING (CASSETTE)		62	2-547-138-21	BUTTON (FF) (SILVER)...(SILVER)	
55	A-1101-717-A	POWER KEY BOARD, COMPLETE		63	2-547-141-11	BUTTON (PLAY) (BLUE)...(BLUE)	
56	2-547-134-01	BUTTON (POWER) (SILVER)...(BLUE)		63	2-547-141-21	BUTTON (PLAY) (SILVER)...(SILVER)	
56	2-547-134-21	BUTTON (POWER) (GRAY)...(SILVER)		64	2-547-142-11	BUTTON (REC) (BLUE)...(BLUE)	
57	2-547-135-11	BUTTON (PAUSE) (BLUE)...(BLUE)		64	2-547-142-21	BUTTON (REC) (SILVER)...(SILVER)	
57	2-547-135-21	BUTTON (PAUSE) (SILVER)...(SILVER)		65	3-254-151-01	SCREW (B2.6), (+) P TAPPING	
58	3-047-468-11	DAMPER		66	3-252-827-01	SCREW (B2.6), (+) BV TAPPING	
				SP301	1-825-690-11	SPEAKER (DIA. 10cm) (L-CH)	
				SP302	1-825-690-11	SPEAKER (DIA. 10cm) (R-CH)	

7-3. CABINET (TOP) (1) SECTION



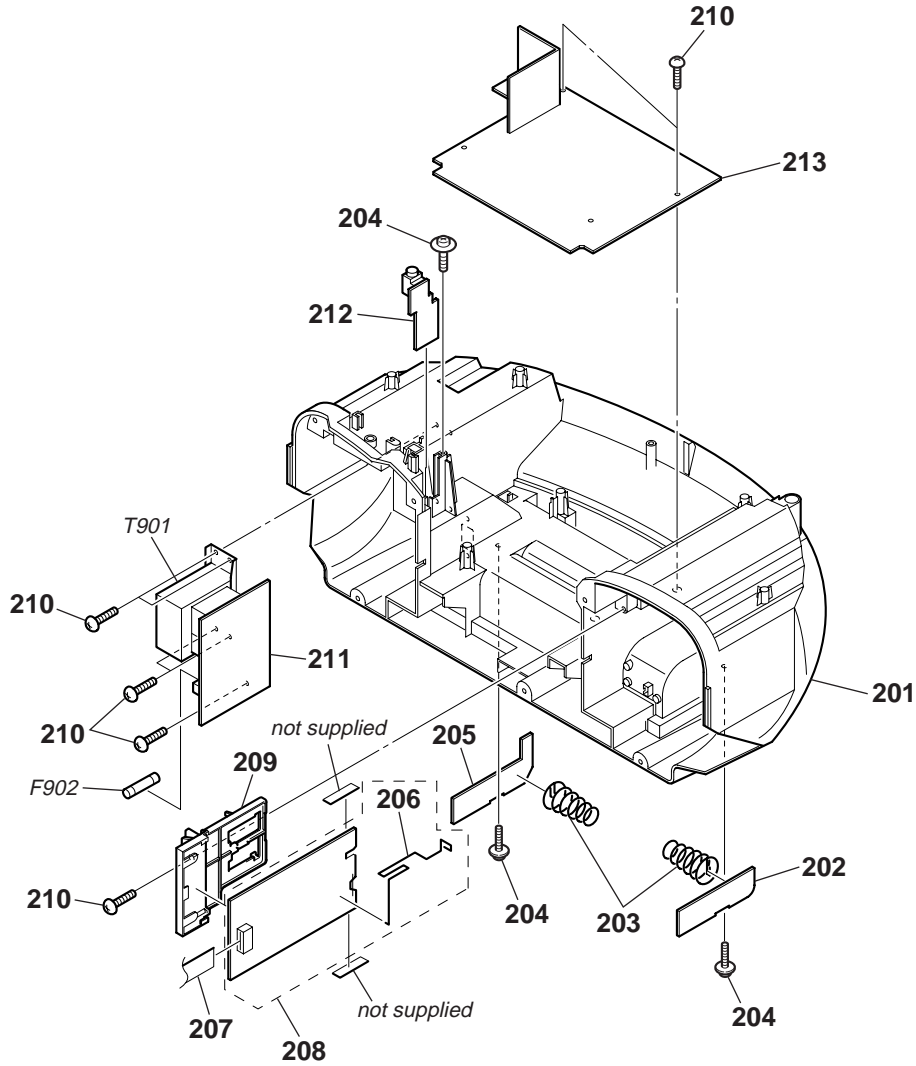
Ref. No.	Part No.	Description	Remark	Ref. No.	Part No.	Description	Remark
101	3-923-736-01	COVER, CD		110	3-019-395-01	PLATE, CHUCKING	
102	3-931-379-21	RUBBER, VIBRATION PROOF		111	1-452-899-11	MAGNET	
103	3-252-828-01	SCREW (B2.6), (+) PWH TAPPING		112	2-547-122-31	LID, CD (BLUE)...(BLUE)	
104	1-757-689-11	CABLE, FLEXIBLE FLAT (16 CORE)		112	2-547-122-41	LID, CD (SILVER)...(SILVER)	
105	1-830-236-11	CABLE, FLEXIBLE FLAT (20 CORE)		113	2-547-171-01	SPRING (CD)	
106	3-245-709-51	SCREW		114	3-047-468-11	DAMPER	
107	A-1068-202-A	MP3-CD BOARD, COMPLETE		115	3-254-151-01	SCREW (B2.6), (+) P TAPPING	
108	3-931-379-31	RUBBER, VIBRATION PROOF		S801	1-692-960-11	SWITCH, PUSH (1 KEY)(▲ PUSH OPEN/CLOSE)	
109	3-253-143-01	SCREW (B2.6), (+) P TAPPING					

7-4. CABINET (TOP) (2) SECTION



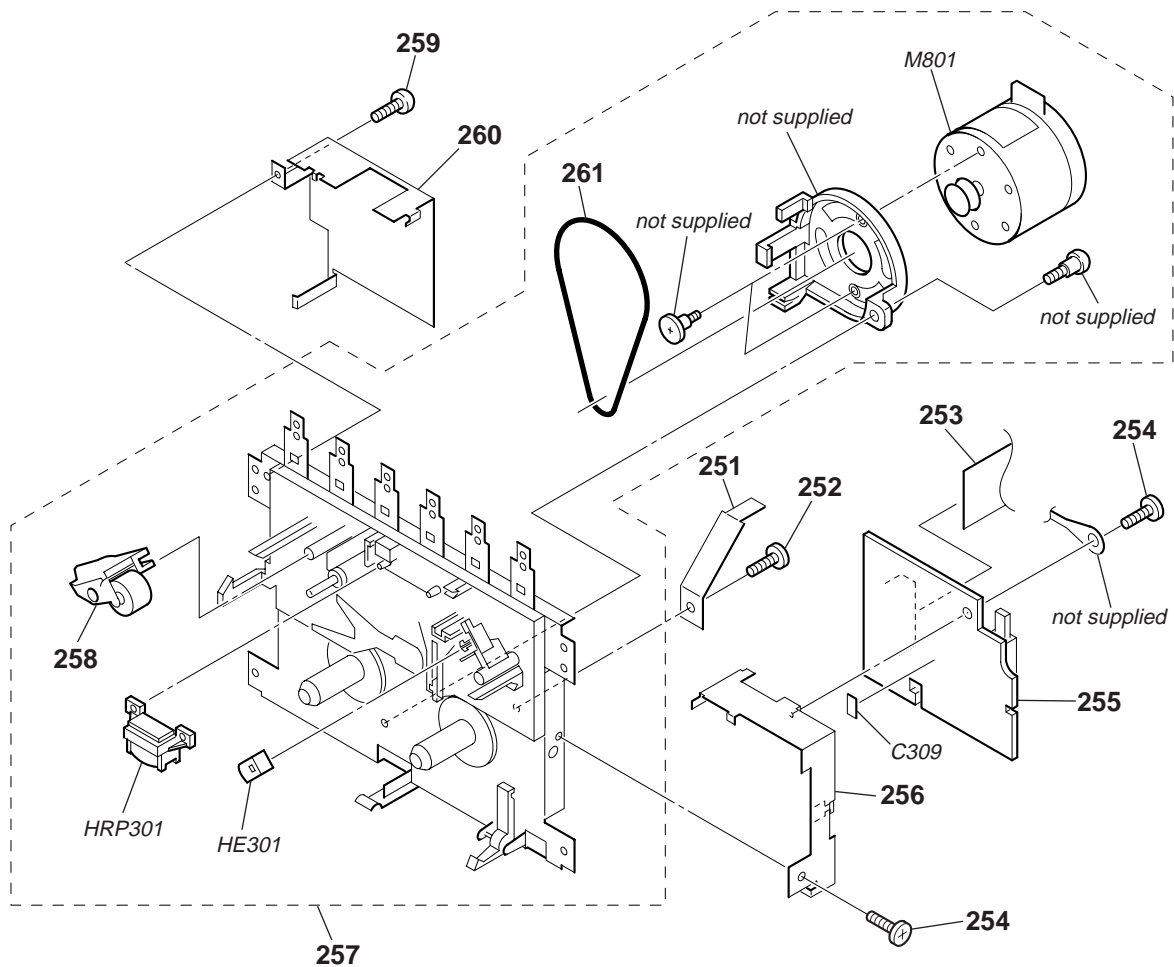
Ref. No.	Part No.	Description	Remark	Ref. No.	Part No.	Description	Remark
151	2-547-131-11	BUTTON (CD) (SILVER)...(BLUE)		163	2-584-370-01	SHEET, LCD	
151	2-547-131-21	BUTTON (CD) (GRAY)...(SILVER)		164	2-547-133-21	BUTTON (MODE)	
152	2-547-132-21	BUTTON (VOLUME) (SILVER)...(BLUE)		165	2-547-163-01	WINDOW (MP3), LCD	
152	2-547-132-31	BUTTON (VOLUME) (GRAY)...(SILVER)		166	2-547-130-21	COVER (TOP) (BLUE)...(BLUE)	
153	2-547-160-01	BUTTON (FUNCTION) (GRAY)...(SILVER)		166	2-547-130-31	COVER (TOP) (SILVER)...(SILVER)	
153	2-547-160-21	BUTTON (FUNCTION) (SILVER)...(BLUE)		167	2-547-113-21	CABINET (UPPER) (BLUE)...(BLUE)	
154	1-962-798-11	CABLE, FLEXIBLE FLAT (5 CORE)		167	2-547-113-31	CABINET (UPPER) (SILVER)...(SILVER)	
155	X-2050-351-1	BUTTON (FOLDER) SUB ASSY		168	2-547-172-01	TAPE (LCD) (WINDOW)	
156	A-1101-719-A	CD KEY BOARD, COMPLETE		169	2-547-165-21	ESCUTCHEON, LCD (BLUE)...(BLUE)	
157	3-254-151-01	SCREW (B2.6), (+) P TAPPING		169	2-547-165-31	ESCUTCHEON, LCD (SILVER)...(SILVER)	
158	3-254-081-01	SCREW		170	3-250-079-01	TAPE (LCD WINDOW) (B)	
159	A-1101-721-A	LCD BOARD, COMPLETE		171	2-594-014-01	PLATE, SUPPORT	
160	1-830-235-11	CABLE, FLEXIBLE FLAT (15 CORE)		D408	6-500-306-01	LED FA3864X (MP3)	
161	2-547-164-01	HOLDER (LCD)		LCD401	1-805-773-11	DISPLAY PANEL, LIQUID CRYSTAL	
162	2-547-143-01	PLATE, LIGHT GUIDE					

7-5. CABINET (REAR) SECTION



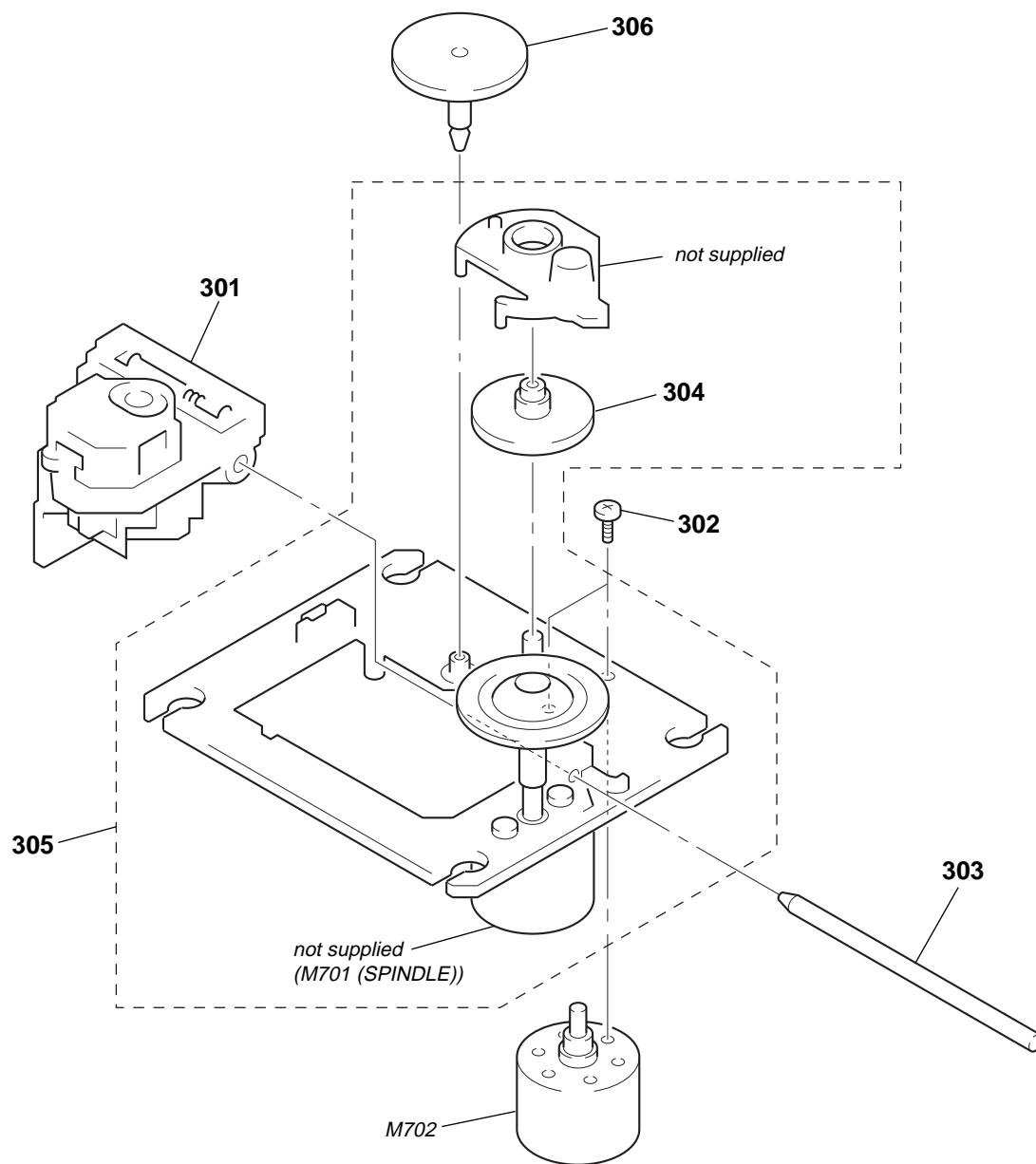
Ref. No.	Part No.	Description	Remark	Ref. No.	Part No.	Description	Remark
201	2-547-120-31	CABINET (REAR) (SILVER)...(SILVER)		210	3-252-827-01	SCREW (B2.6), (+) BV TAPPING	
201	2-547-120-41	CABINET (REAR) (BLUE)...(BLUE) (CET,RU)	(EXCEPT MX)	* 211	1-725-705-11	POWER BOARD	
201	2-547-120-51	CABINET (REAR) (SILVER)...(SILVER) (MX)		212	A-1101-706-A	HEADPHONE BOARD, COMPLETE	
* 202	1-865-646-11	BATTERY-1 BOARD		213	A-1101-707-A	MAIN BOARD, COMPLETE (MX)	
203	3-240-561-02	TERMINAL (-), BATTERY		213	A-1101-730-A	MAIN BOARD, COMPLETE (AEP,UK,CET)	
204	3-252-828-01	SCREW (B2.6), (+) PWH TAPPING		213	A-1101-739-A	MAIN BOARD, COMPLETE (EA,SP,TH)	
* 205	1-865-647-11	BATTERY-2 BOARD		213	A-1107-549-A	MAIN BOARD, COMPLETE (KR)	
206	2-547-169-01	TERMINAL, ANTENNA		213	A-1107-554-A	MAIN BOARD, COMPLETE (RU)	
207	1-962-797-11	CABLE, FLEXIBLE FLAT (11 CORE)		△ F902	1-533-468-12	FUSE, GLASS TUBE (DIA. 5) (T2AL/250V)	(EXCEPT MX)
208	A-1098-549-A	TUNER BOARD, COMPLETE (MX)		△ F902	1-533-469-12	FUSE, GLASS TUBE (DIA. 5) (2.5A/250V)(MX)	
208	A-1098-590-A	TUNER BOARD, COMPLETE (AEP,UK,CET,RU)		△ T901	1-435-917-21	TRANSFORMER, POWER (MX)	
208	A-1098-611-A	TUNER BOARD, COMPLETE (EA,KR,SP,TH)		△ T901	1-435-918-21	TRANSFORMER, POWER (EXCEPT MX)	
209	3-249-551-01	HOLDER (PWB TU)					

7-6. TAPE MECHANISM SECTION (MF-S350)



Ref. No.	Part No.	Description	Remark	Ref. No.	Part No.	Description	Remark
251	3-237-718-01	LEVER, REC		259	3-253-143-01	SCREW (B2.6), (+) P TAPPING	
252	3-254-022-01	SCREW		260	2-189-331-01	CHASSIS, PROTECT	
253	1-829-058-11	CABLE, FLEXIBLE FLAT (13 CORE)		261	3-933-833-01	BELT, RF	
254	3-254-029-01	SCREW		C309	1-162-923-11	CERAMIC CHIP 47PF 5% 50V (AEP,UK,CET,RU)	
255	A-1108-791-A	TC BOARD, COMPLETE		HE301	1-500-813-11	HEAD, ERASE (ERASE)	
256	3-252-614-01	CHASSIS, TC		HRP301	3-266-053-01	HEAD, RP (REC/PB)	
257	A-1105-331-A	MF-S350//C		M801	X-3385-048-1	MOTOR SUB ASSY (CAPSTAN/REEL)	
258	3-933-825-01	ARM ASSY, PINCH ROLLER					

7-7. CD MECHANISM SECTION (KSM-213CDP)



Ref. No.	Part No.	Description	Remark	Ref. No.	Part No.	Description	Remark
△301	8-848-483-12	OPTICAL PICK-UP (KSS-213C/C2RP1)		306	2-626-907-11	GEAR (A)	
302	2-174-500-01	SCREW (2X3)		M702	X-2625-769-1	GEAR ASSY (MB) (RP), MOTOR (SLED)	
303	2-626-908-01	SHAFT, SLED					
304	2-627-003-01	GEAR (B) (RP)					
305	X-2162-709-2	CHASSIS ASSY (CDP), MOTOR (SPINDLE)	(including M701)				

SECTION 8 ELECTRICAL PARTS LIST

BATTERY-1	BATTERY-2
CD KEY	HEADPHONE

NOTE:

- Due to standardization, replacements in the parts list may be different from the parts specified in the diagrams or the components used on the set.
- -XX and -X mean standardized parts, so they may have some difference from the original one.
- Items marked “*” are not stocked since they are seldom required for routine service. Some delay should be anticipated when ordering these items.
- CAPACITORS
uF: μF
- COILS
uH: μH

- RESISTORS
All resistors are in ohms.
METAL: Metal-film resistor.
METAL OXIDE: Metal oxide-film resistor.
F: nonflammable
- SEMICONDUCTORS
In each case, u: μ, for example:
uA. . : μA. ., uPA. . : μPA. .,
uPB. . : μPB. ., uPC. . : μPC. .,
uPD. . : μPD. .
- Abbreviation
CET : East European and CSI model.
EA : Saudi Arabia model.
KR : Korean model.

When indicating parts by reference number, please include the board name.

The components identified by mark \triangle or dotted line with mark \triangle are critical for safety. Replace only with part number specified.

- MX : Mexican model.
- RU : Russian model.
- SP : Singapore model.
- TH : Thai model.

Ref. No.	Part No.	Description	Remark	Ref. No.	Part No.	Description	Remark
*	1-865-646-11	BATTERY-1 BOARD *****		R431	1-216-825-11	METAL CHIP 2.2K 5%	1/10W
	3-240-561-02	TERMINAL (-), BATTERY *****		R432	1-216-821-11	METAL CHIP 1K 5%	1/10W
				R433	1-216-825-11	METAL CHIP 2.2K 5%	1/10W
				R440	1-216-841-11	METAL CHIP 47K 5%	1/10W
				R443	1-216-845-11	METAL CHIP 100K 5%	1/10W
*	1-865-647-11	BATTERY-2 BOARD *****				< SWITCH >	
	3-240-561-02	TERMINAL (-), BATTERY < CONNECTOR >		S405	1-786-050-21	SWITCH, KEYBOARD (TAPE)	
				S407	1-786-050-21	SWITCH, KEYBOARD (CD)	
				S408	1-786-050-21	SWITCH, KEYBOARD (RADIO•BAND•AUTO PRESET)	
	CNP904	1-815-550-11 PIN, CONNECTOR (PWB) 2P *****		S409	1-786-050-21	SWITCH, KEYBOARD (SOUND)	
				S410	1-786-050-21	SWITCH, KEYBOARD (VOLUME -)	
	A-1101-719-A	CD KEY BOARD, COMPLETE *****		S411	1-786-050-21	SWITCH, KEYBOARD (MEGA BASS)	
				S412	1-786-050-21	SWITCH, KEYBOARD (VOLUME +)	
				S413	1-786-050-21	SWITCH, KEYBOARD (◀◀/TUNE -)	
	1-962-798-11	CABLE, FLEXIBLE FLAT (5 CORE) < CAPACITOR >		S414	1-786-050-21	SWITCH, KEYBOARD (TUNE +/▶▶)	
				S415	1-786-050-21	SWITCH, KEYBOARD (◀◀/PRESET -)	
C401	1-115-156-11	CERAMIC CHIP 1uF 10V < IC >		S416	1-786-050-21	SWITCH, KEYBOARD (PRESET +/▶▶▶)	
				S417	1-786-050-21	SWITCH, KEYBOARD (▶▶▶)	
				S418	1-786-050-21	SWITCH, KEYBOARD (■)	

					A-1101-706-A	HEADPHONE BOARD, COMPLETE *****	
						< CONNECTOR >	
				* CNP322	1-815-552-21	PIN, CONNECTOR (PWB) 4P	
				* CNP323	1-815-552-11	PIN, CONNECTOR (PWB) 4P	
						< FERRITE BEAD >	
				FB101	1-469-701-21	FERRITE, EMI (SMD) (1608)	
				FB201	1-469-701-21	FERRITE, EMI (SMD) (1608)	
						< JACK >	
				J321	1-815-325-11	JACK (⊘)	
						< RESISTOR >	
R406	1-216-825-11	METAL CHIP 2.2K 5%	1/10W	R146	1-216-809-11	METAL CHIP 100 5%	1/10W
R407	1-216-829-11	METAL CHIP 4.7K 5%	1/10W	R246	1-216-809-11	METAL CHIP 100 5%	1/10W
R408	1-216-833-11	METAL CHIP 10K 5%	1/10W			*****	
R413	1-216-813-11	METAL CHIP 220 5%	1/10W				
R414	1-216-817-11	METAL CHIP 470 5%	1/10W				
R415	1-216-821-11	METAL CHIP 1K 5%	1/10W				
R417	1-216-821-11	METAL CHIP 1K 5%	1/10W				
R418	1-216-825-11	METAL CHIP 2.2K 5%	1/10W				
R422	1-216-829-11	METAL CHIP 4.7K 5%	1/10W				
R423	1-216-813-11	METAL CHIP 220 5%	1/10W				
R424	1-216-817-11	METAL CHIP 470 5%	1/10W				
R426	1-216-821-11	METAL CHIP 1K 5%	1/10W				
R428	1-216-821-11	METAL CHIP 1K 5%	1/10W				
R429	1-216-825-11	METAL CHIP 2.2K 5%	1/10W				
R430	1-216-821-11	METAL CHIP 1K 5%	1/10W				

CFD-S35CP

Ver. 1.1

LCD **MAIN**

Ref. No.	Part No.	Description	Remark
	A-1101-721-A	LCD BOARD, COMPLETE *****	
	2-547-143-01	PLATE, LIGHT GUIDE	
	2-547-164-01	HOLDER (LCD)	
	2-584-370-01	SHEET, LCD	
		< CAPACITOR >	
C403	1-162-974-11	CERAMIC CHIP	0.01uF 50V
C405	1-162-974-11	CERAMIC CHIP	0.01uF 50V
C406	1-107-826-11	CERAMIC CHIP	0.1uF 10% 16V
C407	1-107-826-11	CERAMIC CHIP	0.1uF 10% 16V
C408	1-107-826-11	CERAMIC CHIP	0.1uF 10% 16V
C409	1-162-962-11	CERAMIC CHIP	470PF 10% 50V
C410	1-162-962-11	CERAMIC CHIP	470PF 10% 50V
C413	1-164-227-11	CERAMIC CHIP	0.022uF 10% 25V
		< CONNECTOR >	
CNP401	1-770-514-31	CONNECTOR, FFC/FPC 5P	
		< DIODE >	
D405	8-719-059-97	LED L-34HD (OPR/BATT)	
D407	6-500-076-01	LED SLI-343YC (BACK LIGHT)	
		< IC >	
IC401	8-759-153-90	IC uPD7225GB-3B7	
		< JUMPER RESISTOR >	
JC401	1-216-864-11	SHORT CHIP	0
		< COIL >	
L401	1-410-509-11	INDUCTOR	10uH
L402	1-414-142-61	INDUCTOR, MICRO	1uH
		< LIQUID CRYSTAL DISPLAY >	
LCD401	1-805-773-11	DISPLAY PANEL, LIQUID CRYSTAL	
		< RESISTOR >	
R403	1-216-821-11	METAL CHIP	1K 5% 1/10W
R404	1-216-821-11	METAL CHIP	1K 5% 1/10W
R405	1-216-825-11	METAL CHIP	2.2K 5% 1/10W
R409	1-216-821-11	METAL CHIP	1K 5% 1/10W
R410	1-216-825-11	METAL CHIP	2.2K 5% 1/10W
R411	1-216-833-11	METAL CHIP	10K 5% 1/10W
R412	1-216-833-11	METAL CHIP	10K 5% 1/10W
R416	1-216-837-11	METAL CHIP	22K 5% 1/10W
R420	1-216-845-11	METAL CHIP	100K 5% 1/10W
R421	1-216-825-11	METAL CHIP	2.2K 5% 1/10W
R427	1-216-833-11	METAL CHIP	10K 5% 1/10W
R438	1-216-833-11	METAL CHIP	10K 5% 1/10W
R439	1-216-833-11	METAL CHIP	10K 5% 1/10W
R442	1-216-841-11	METAL CHIP	47K 5% 1/10W
R444	1-216-825-11	METAL CHIP	2.2K 5% 1/10W
R445	1-216-829-11	METAL CHIP	4.7K 5% 1/10W
R450	1-216-813-11	METAL CHIP	220 5% 1/10W
R451	1-216-813-11	METAL CHIP	220 5% 1/10W
R452	1-216-821-11	METAL CHIP	1K 5% 1/10W
R453	1-216-809-11	METAL CHIP	100 5% 1/10W

Ref. No.	Part No.	Description	Remark
		< SWITCH >	
S403	1-786-050-21	SWITCH, KEYBOARD (DISP/ENT/MEMORY)	
S404	1-786-050-21	SWITCH, KEYBOARD (MODE)	
S421	1-786-050-21	SWITCH, KEYBOARD (FLDR +)	
S422	1-786-050-21	SWITCH, KEYBOARD (FLDR -)	
S423	1-786-050-21	SWITCH, KEYBOARD (REPEAT)	

	A-1101-707-A	MAIN BOARD, COMPLETE (MX)	
	A-1101-730-A	MAIN BOARD, COMPLETE (AEP,UK,CET)	
	A-1101-739-A	MAIN BOARD, COMPLETE (EA,SP,TH)	
	A-1107-549-A	MAIN BOARD, COMPLETE (KR)	
	A-1107-554-A	MAIN BOARD, COMPLETE (RU) *****	
	3-254-151-01	SCREW (B2.6), (+) P TAPPING	
		< CAPACITOR >	
C106	1-162-966-11	CERAMIC CHIP	0.0022uF 10% 50V
C107	1-126-960-11	ELECT	1uF 20% 50V
C108	1-162-964-11	CERAMIC CHIP	0.001uF 10% 50V
C109	1-126-947-11	ELECT	47uF 20% 35V
C110	1-107-826-11	CERAMIC CHIP	0.1uF 10% 16V
C111	1-104-658-11	ELECT	100uF 20% 10V
C112	1-126-926-11	ELECT	1000uF 20% 10V
C115	1-126-963-11	ELECT	4.7uF 20% 50V
C122	1-162-964-11	CERAMIC CHIP	0.001uF 10% 50V
C125	1-126-960-11	ELECT	1uF 20% 50V
C127	1-115-467-11	CERAMIC CHIP	0.22uF 10% 10V
C129	1-162-995-11	CERAMIC CHIP	0.022uF 50V
C135	1-164-156-11	CERAMIC CHIP	0.1uF 25V
C139	1-162-966-11	CERAMIC CHIP	0.0022uF 10% 50V
C146	1-164-156-11	CERAMIC CHIP	0.1uF 25V
C147	1-126-963-11	ELECT	4.7uF 20% 50V
C148	1-115-156-11	CERAMIC CHIP	1uF 10V
C206	1-162-966-11	CERAMIC CHIP	0.0022uF 10% 50V
C207	1-126-960-11	ELECT	1uF 20% 50V
C208	1-162-964-11	CERAMIC CHIP	0.001uF 10% 50V
C209	1-126-947-11	ELECT	47uF 20% 35V
C210	1-107-826-11	CERAMIC CHIP	0.1uF 10% 16V
C211	1-104-658-11	ELECT	100uF 20% 10V
C212	1-126-926-11	ELECT	1000uF 20% 10V
C215	1-126-963-11	ELECT	4.7uF 20% 50V
C222	1-162-964-11	CERAMIC CHIP	0.001uF 10% 50V
C225	1-126-960-11	ELECT	1uF 20% 50V
C227	1-115-467-11	CERAMIC CHIP	0.22uF 10% 10V
C229	1-162-995-11	CERAMIC CHIP	0.022uF 50V
C235	1-164-156-11	CERAMIC CHIP	0.1uF 25V
C239	1-162-966-11	CERAMIC CHIP	0.0022uF 10% 50V
C246	1-164-156-11	CERAMIC CHIP	0.1uF 25V
C247	1-126-963-11	ELECT	4.7uF 20% 50V
C248	1-115-156-11	CERAMIC CHIP	1uF 10V
C320	1-162-962-11	CERAMIC CHIP	470PF 10% 50V
C321	1-126-926-11	ELECT	1000uF 20% 10V
C322	1-126-947-11	ELECT	47uF 20% 35V
C323	1-126-964-11	ELECT	10uF 20% 50V
C324	1-162-974-11	CERAMIC CHIP	0.01uF 50V
C325	1-126-937-11	ELECT	4700uF 20% 16V
C326	1-126-923-11	ELECT	220uF 20% 10V
C327	1-126-947-11	ELECT	47uF 20% 35V

Ref. No.	Part No.	Description	Remark	Ref. No.	Part No.	Description	Remark
C328	1-126-959-11	ELECT	0.47uF 20% 50V	C858	1-162-923-11	CERAMIC CHIP 47PF 5% 50V	
C329	1-162-974-11	CERAMIC CHIP	0.01uF 50V	C859	1-162-923-11	CERAMIC CHIP 47PF 5% 50V	
C330	1-126-941-11	ELECT	470uF 20% 25V	C860	1-162-923-11	CERAMIC CHIP 47PF 5% 50V	
C331	1-216-923-91	ELECT	220uF 20% 10V	C861	1-162-923-11	CERAMIC CHIP 47PF 5% 50V	
C332	1-107-826-11	CERAMIC CHIP	0.1uF 10% 16V	C862	1-162-970-11	CERAMIC CHIP 0.01uF 10% 25V	
C333	1-107-826-11	CERAMIC CHIP	0.1uF 10% 16V	C863	1-162-970-11	CERAMIC CHIP 0.01uF 10% 25V	
C334	1-107-826-11	CERAMIC CHIP	0.1uF 10% 16V	C864	1-115-156-11	CERAMIC CHIP 1uF 10V	
C335	1-107-826-11	CERAMIC CHIP	0.1uF 10% 16V	C871	1-162-927-11	CERAMIC CHIP 100PF 5% 50V	
C350	1-162-962-11	CERAMIC CHIP	470PF 10% 50V	C881	1-126-963-11	ELECT 4.7uF 20% 50V	
C351	1-162-962-11	CERAMIC CHIP	470PF 10% 50V	C882	1-126-963-11	ELECT 4.7uF 20% 50V	
C352	1-162-962-11	CERAMIC CHIP	470PF 10% 50V	C951	1-162-974-11	CERAMIC CHIP 0.01uF 50V	
C353	1-162-927-11	CERAMIC CHIP	100PF 5% 50V	C952	1-162-974-11	CERAMIC CHIP 0.01uF 50V	
C354	1-162-964-11	CERAMIC CHIP	0.001uF 10% 50V	C953	1-126-925-11	ELECT 470uF 20% 10V	
C801	1-126-947-11	ELECT	47uF 20% 35V	C957	1-162-974-11	CERAMIC CHIP 0.01uF 50V	
C803	1-162-964-11	CERAMIC CHIP	0.001uF 10% 50V	C959	1-126-923-11	ELECT 220uF 20% 10V	
C804	1-162-964-11	CERAMIC CHIP	0.001uF 10% 50V	C960	1-107-826-11	CERAMIC CHIP 0.1uF 10% 16V	
C810	1-162-927-11	CERAMIC CHIP	100PF 5% 50V			< CONNECTOR >	
C811	1-162-927-11	CERAMIC CHIP	100PF 5% 50V	CNP302	1-815-445-11	PIN, CONNECTOR (PWB) 4P	
C812	1-162-927-11	CERAMIC CHIP	100PF 5% 50V	CNP321	1-815-445-11	PIN, CONNECTOR (PWB) 4P	
C813	1-162-915-11	CERAMIC CHIP	10PF 0.5PF 50V	CNP801	1-815-444-11	PIN, CONNECTOR (PWB) 3P	
C814	1-162-915-11	CERAMIC CHIP	10PF 0.5PF 50V	CNP802	1-784-776-11	CONNECTOR, FFC 15P	
C815	1-162-915-11	CERAMIC CHIP	10PF 0.5PF 50V	CNP803	1-691-043-21	HOUSING, CONNECTOR 11P	
C818	1-162-915-11	CERAMIC CHIP	10PF 0.5PF 50V	CNP804	1-784-781-11	CONNECTOR, FFC 20P	
C819	1-162-915-11	CERAMIC CHIP	10PF 0.5PF 50V	CNP805	1-784-774-11	CONNECTOR, FFC 13P	
C820	1-162-908-11	CERAMIC CHIP	3PF 0.25PF 50V			< DIODE >	
C821	1-162-908-11	CERAMIC CHIP	3PF 0.25PF 50V	D322	8-719-988-61	DIODE 1SS355TE-17	
C822	1-162-962-11	CERAMIC CHIP	470PF 10% 50V	D323	8-719-988-61	DIODE 1SS355TE-17	
C823	1-126-964-11	ELECT	10uF 20% 50V	D324	8-719-988-61	DIODE 1SS355TE-17	
C824	1-162-927-11	CERAMIC CHIP	100PF 5% 50V	D801	8-719-941-86	DIODE DAN202U	
C825	1-162-927-11	CERAMIC CHIP	100PF 5% 50V	D803	8-719-069-54	DIODE UDJSTE-175.1B	
C826	1-162-927-11	CERAMIC CHIP	100PF 5% 50V	D804	8-719-941-09	DIODE DAP202U	
C827	1-162-927-11	CERAMIC CHIP	100PF 5% 50V	D805	8-719-988-61	DIODE 1SS355TE-17	
C828	1-162-927-11	CERAMIC CHIP	100PF 5% 50V	D809	8-719-988-61	DIODE 1SS355TE-17	
C829	1-162-927-11	CERAMIC CHIP	100PF 5% 50V	D951	8-719-941-09	DIODE DAP202U	
C830	1-162-927-11	CERAMIC CHIP	100PF 5% 50V	D953	8-719-978-33	DIODE DTZ-TT11-6.8B	
C831	1-162-927-11	CERAMIC CHIP	100PF 5% 50V	D957	8-719-083-58	DIODE UDJSTE-173.9B	
C832	1-162-927-11	CERAMIC CHIP	100PF 5% 50V	D958	8-719-988-61	DIODE 1SS355TE-17	
C834	1-162-974-11	CERAMIC CHIP	0.01uF 50V			< FERRITE BEAD >	
C835	1-162-974-11	CERAMIC CHIP	0.01uF 50V	FB845	1-469-701-21	FERRITE, EMI (SMD) (1608)	
C836	1-162-974-11	CERAMIC CHIP	0.01uF 50V	FB854	1-469-701-21	FERRITE, EMI (SMD) (1608)	
C837	1-162-927-11	CERAMIC CHIP	100PF 5% 50V	FB855	1-469-701-21	FERRITE, EMI (SMD) (1608)	
C838	1-162-927-11	CERAMIC CHIP	100PF 5% 50V	FB856	1-469-701-21	FERRITE, EMI (SMD) (1608)	
C839	1-162-964-11	CERAMIC CHIP	0.001uF 10% 50V	FB861	1-469-701-21	FERRITE, EMI (SMD) (1608)	
C840	1-162-927-11	CERAMIC CHIP	100PF 5% 50V	FB862	1-469-701-21	FERRITE, EMI (SMD) (1608)	
C841	1-162-964-11	CERAMIC CHIP	0.001uF 10% 50V			< IC >	
C842	1-162-964-11	CERAMIC CHIP	0.001uF 10% 50V	IC302	6-701-824-11	IC BD3870FS-E2	
C843	1-162-970-11	CERAMIC CHIP	0.01uF 10% 25V	IC304	8-759-426-51	IC BA5417	
C845	1-104-658-11	ELECT	100uF 20% 10V	IC801	6-805-405-01	IC uPD784216AGF-555-3BA-A (EXCEPT RU)	
C846	1-162-927-11	CERAMIC CHIP	100PF 5% 50V	IC801	6-805-406-01	IC uPD784216AGF-555-3BA-A (RU)	
C847	1-162-927-11	CERAMIC CHIP	100PF 5% 50V	IC802	6-700-336-01	IC CAT24WC02WI-1.8-TE13	
C850	1-162-927-11	CERAMIC CHIP	100PF 5% 50V	IC803	6-703-285-01	IC S-812C33AUA-C2NT2G	
C851	1-162-927-11	CERAMIC CHIP	100PF 5% 50V	IC804	6-705-413-01	IC BD4826G-TR	
C852	1-162-927-11	CERAMIC CHIP	100PF 5% 50V				
C853	1-162-970-11	CERAMIC CHIP	0.01uF 10% 25V				
C855	1-126-964-11	ELECT	10uF 20% 50V				
C856	1-107-826-11	CERAMIC CHIP	0.1uF 10% 16V				
C857	1-162-927-11	CERAMIC CHIP	100PF 5% 50V				

CFD-S35CP

Ver. 1.1

MAIN

Ref. No.	Part No.	Description	Remark	Ref. No.	Part No.	Description	Remark
< JUMPER RESISTOR >				R234	1-216-817-11	METAL CHIP 470	5% 1/10W
JC303	1-216-864-11	SHORT CHIP 0 (AEP,UK,CET,KR,RU)		R235	1-216-825-11	METAL CHIP 2.2K	5% 1/10W
JC304	1-216-864-11	SHORT CHIP 0 (EA,MX,SP,TH)		R236	1-216-821-11	METAL CHIP 1K	5% 1/10W
JC305	1-216-864-11	SHORT CHIP 0 (EA,KR,RU,SP,TH)		R237	1-216-864-11	SHORT CHIP 0	
JC306	1-216-864-11	SHORT CHIP 0 (AEP,UK,CET,MX)		R238	1-216-817-11	METAL CHIP 470	5% 1/10W
JC309	1-216-864-11	SHORT CHIP 0 (AEP,UK,CET,KR,MX)		R239	1-216-833-11	METAL CHIP 10K	5% 1/10W
JC310	1-216-864-11	SHORT CHIP 0 (EA,RU,SP,TH)		R240	1-216-825-11	METAL CHIP 2.2K	5% 1/10W
JC814	1-216-864-11	SHORT CHIP 0		R241	1-216-813-11	METAL CHIP 220	5% 1/10W
< COIL >				R243	1-216-789-11	METAL CHIP 2.2	5% 1/10W
L803	1-410-509-11	INDUCTOR 10uH		R245	1-216-829-11	METAL CHIP 4.7K	5% 1/10W
L804	1-414-142-61	INDUCTOR 1uH		R323	1-216-857-11	METAL CHIP 1M	5% 1/10W
< TRANSISTOR >				R324	1-216-825-11	METAL CHIP 2.2K	5% 1/10W
Q122	8-729-905-40	TRANSISTOR 2SC4081T106		R325	1-216-821-11	METAL CHIP 1K	5% 1/10W
Q124	8-729-047-12	TRANSISTOR DTC314TU-T106		R326	1-216-821-11	METAL CHIP 1K	5% 1/10W
Q222	8-729-905-40	TRANSISTOR 2SC4081T106		R331	1-216-821-11	METAL CHIP 1K	5% 1/10W
Q224	8-729-047-12	TRANSISTOR DTC314TU-T106		R332	1-216-821-11	METAL CHIP 1K	5% 1/10W
Q801	8-729-028-76	TRANSISTOR DTA114YUA-T106		R333	1-216-833-11	METAL CHIP 10K	5% 1/10W
Q802	8-729-028-76	TRANSISTOR DTA114YUA-T106		R334	1-216-809-11	METAL CHIP 100	5% 1/10W
Q803	8-729-028-99	TRANSISTOR DTC114YUA-T106		R335	1-216-809-11	METAL CHIP 100	5% 1/10W
Q804	8-729-028-77	TRANSISTOR DTA115EUA-T106		R801	1-216-825-11	METAL CHIP 2.2K	5% 1/10W
Q806	8-729-922-10	TRANSISTOR 2SA1577-QR		R802	1-216-825-11	METAL CHIP 2.2K	5% 1/10W
Q807	8-729-029-00	TRANSISTOR DTC115EUA-T106		R803	1-216-825-11	METAL CHIP 2.2K	5% 1/10W
Q808	8-729-905-40	TRANSISTOR 2SC4081T106		R804	1-216-825-11	METAL CHIP 2.2K	5% 1/10W
Q809	8-729-028-99	TRANSISTOR DTC114YUA-T106		R805	1-216-825-11	METAL CHIP 2.2K	5% 1/10W
Q810	8-729-028-90	TRANSISTOR DTA143ZUA-T106		R806	1-216-821-11	METAL CHIP 1K	5% 1/10W
Q811	8-729-028-99	TRANSISTOR DTC114YUA-T106		R807	1-216-821-11	METAL CHIP 1K	5% 1/10W
Q812	8-729-905-40	TRANSISTOR 2SC4081T106		R808	1-216-821-11	METAL CHIP 1K	5% 1/10W
Q813	8-729-905-40	TRANSISTOR 2SC4081T106		R809	1-216-821-11	METAL CHIP 1K	5% 1/10W
Q814	8-729-028-92	TRANSISTOR DTA144TUA-T106		R810	1-216-821-11	METAL CHIP 1K	5% 1/10W
Q815	8-729-029-00	TRANSISTOR DTC115EUA-T106		R811	1-216-821-11	METAL CHIP 1K	5% 1/10W
Q951	8-729-029-13	TRANSISTOR DTC143ZUA-T106		R812	1-216-821-11	METAL CHIP 1K	5% 1/10W
Q952	8-729-040-76	TRANSISTOR KTA1273-Y-AT		R813	1-216-821-11	METAL CHIP 1K	5% 1/10W
Q953	8-729-905-40	TRANSISTOR 2SC4081T106		R814	1-216-821-11	METAL CHIP 1K	5% 1/10W
Q955	8-729-018-99	TRANSISTOR 2SD2394-F		R815	1-216-821-11	METAL CHIP 1K	5% 1/10W
Q957	8-729-036-86	TRANSISTOR KTC3203Y-AT		R816	1-216-821-11	METAL CHIP 1K	5% 1/10W
< RESISTOR >				R817	1-216-829-11	METAL CHIP 4.7K	5% 1/10W
R101	1-216-821-11	METAL CHIP 1K	5% 1/10W	R818	1-216-825-11	METAL CHIP 2.2K	5% 1/10W
R129	1-216-817-11	METAL CHIP 470	5% 1/10W	R819	1-216-829-11	METAL CHIP 4.7K	5% 1/10W
R132	1-216-853-11	METAL CHIP 470K	5% 1/10W	R820	1-216-829-11	METAL CHIP 4.7K	5% 1/10W
R133	1-216-829-11	METAL CHIP 4.7K	5% 1/10W	R821	1-216-829-11	METAL CHIP 4.7K	5% 1/10W
R134	1-216-817-11	METAL CHIP 470	5% 1/10W	R822	1-216-829-11	METAL CHIP 4.7K	5% 1/10W
R135	1-216-825-11	METAL CHIP 2.2K	5% 1/10W	R823	1-216-821-11	METAL CHIP 1K	5% 1/10W
R136	1-216-821-11	METAL CHIP 1K	5% 1/10W	R824	1-216-821-11	METAL CHIP 1K	5% 1/10W
R137	1-216-864-11	SHORT CHIP 0		R825	1-216-833-11	METAL CHIP 10K	5% 1/10W
R138	1-216-817-11	METAL CHIP 470	5% 1/10W	R826	1-216-817-11	METAL CHIP 470	5% 1/10W
R139	1-216-833-11	METAL CHIP 10K	5% 1/10W	R827	1-216-821-11	METAL CHIP 1K	5% 1/10W
R140	1-216-825-11	METAL CHIP 2.2K	5% 1/10W	R828	1-216-829-11	METAL CHIP 4.7K	5% 1/10W
R141	1-216-813-11	METAL CHIP 220	5% 1/10W	R829	1-216-853-11	METAL CHIP 470K	5% 1/10W
R143	1-216-789-11	METAL CHIP 2.2	5% 1/10W	R830	1-216-821-11	METAL CHIP 1K	5% 1/10W
R145	1-216-829-11	METAL CHIP 4.7K	5% 1/10W	R831	1-216-821-11	METAL CHIP 1K	5% 1/10W
R201	1-216-821-11	METAL CHIP 1K	5% 1/10W	R832	1-216-833-11	METAL CHIP 10K	5% 1/10W
R229	1-216-817-11	METAL CHIP 470	5% 1/10W	R833	1-216-841-11	METAL CHIP 47K	5% 1/10W
R232	1-216-853-11	METAL CHIP 470K	5% 1/10W	R834	1-216-821-11	METAL CHIP 1K	5% 1/10W
R233	1-216-829-11	METAL CHIP 4.7K	5% 1/10W	R835	1-216-829-11	METAL CHIP 4.7K	5% 1/10W
				R836	1-216-829-11	METAL CHIP 4.7K	5% 1/10W
				R837	1-216-829-11	METAL CHIP 4.7K	5% 1/10W
				R838	1-216-829-11	METAL CHIP 4.7K	5% 1/10W

Ref. No.	Part No.	Description	Remark	Ref. No.	Part No.	Description	Remark
R840	1-216-817-11	METAL CHIP	470 5% 1/10W	R958	1-216-813-11	METAL CHIP	220 5% 1/10W
R841	1-216-821-11	METAL CHIP	1K 5% 1/10W	R959	1-216-809-11	METAL CHIP	100 5% 1/10W
R842	1-216-821-11	METAL CHIP	1K 5% 1/10W	R960	1-216-821-11	METAL CHIP	1K 5% 1/10W
R843	1-216-821-11	METAL CHIP	1K 5% 1/10W	R961	1-216-825-11	METAL CHIP	2.2K 5% 1/10W
R844	1-216-817-11	METAL CHIP	470 5% 1/10W	R962	1-216-825-11	METAL CHIP	2.2K 5% 1/10W
R846	1-216-833-11	METAL CHIP	10K 5% 1/10W	R963	1-216-825-11	METAL CHIP	2.2K 5% 1/10W
R847	1-216-829-11	METAL CHIP	4.7K 5% 1/10W	R964	1-216-825-11	METAL CHIP	2.2K 5% 1/10W
R848	1-216-829-11	METAL CHIP	4.7K 5% 1/10W			< VIBRATOR >	
R849	1-216-829-11	METAL CHIP	4.7K 5% 1/10W	X801	1-795-526-12	VIBRATOR, CERAMIC (5MHz)	
R850	1-216-821-11	METAL CHIP	1K 5% 1/10W			*****	
R851	1-216-833-11	METAL CHIP	10K 5% 1/10W			A-1068-202-A	MP3-CD BOARD, COMPLETE
R852	1-216-809-11	METAL CHIP	100 5% 1/10W				*****
R853	1-216-809-11	METAL CHIP	100 5% 1/10W				< CAPACITOR >
R855	1-216-817-11	METAL CHIP	470 5% 1/10W	C701	1-164-156-11	CERAMIC CHIP	0.1uF 25V
R857	1-216-821-11	METAL CHIP	1K 5% 1/10W	C702	1-104-658-11	ELECT	100uF 20% 10V
R858	1-216-821-11	METAL CHIP	1K 5% 1/10W	C703	1-164-156-11	CERAMIC CHIP	0.1uF 25V
R859	1-216-821-11	METAL CHIP	1K 5% 1/10W	C704	1-126-947-11	ELECT	47uF 20% 35V
R860	1-216-821-11	METAL CHIP	1K 5% 1/10W	C705	1-162-964-11	CERAMIC CHIP	0.001uF 10% 50V
R865	1-216-845-11	METAL CHIP	100K 5% 1/10W	C706	1-164-156-11	CERAMIC CHIP	0.1uF 25V
R866	1-216-817-11	METAL CHIP	470 5% 1/10W	C707	1-104-658-11	ELECT	100uF 20% 10V
R868	1-216-821-11	METAL CHIP	1K 5% 1/10W	C708	1-107-826-11	CERAMIC CHIP	0.1uF 10% 16V
R869	1-216-821-11	METAL CHIP	1K 5% 1/10W	C709	1-104-658-11	ELECT	100uF 20% 10V
R870	1-216-821-11	METAL CHIP	1K 5% 1/10W	C710	1-165-176-11	CERAMIC CHIP	0.047uF 10% 16V
R871	1-216-817-11	METAL CHIP	470 5% 1/10W	C711	1-107-826-11	CERAMIC CHIP	0.1uF 10% 16V
R872	1-216-829-11	METAL CHIP	4.7K 5% 1/10W	C712	1-162-923-11	CERAMIC CHIP	47PF 5% 50V
R873	1-216-817-11	METAL CHIP	470 5% 1/10W	C713	1-162-968-11	CERAMIC CHIP	0.0047uF 10% 50V
R874	1-216-829-11	METAL CHIP	4.7K 5% 1/10W	C714	1-164-156-11	CERAMIC CHIP	0.1uF 25V
R875	1-216-829-11	METAL CHIP	4.7K 5% 1/10W	C715	1-126-960-11	ELECT	1uF 20% 50V
R876	1-216-829-11	METAL CHIP	4.7K 5% 1/10W	C716	1-162-964-11	CERAMIC CHIP	0.001uF 10% 50V
R877	1-216-833-11	METAL CHIP	10K 5% 1/10W	C717	1-162-968-11	CERAMIC CHIP	0.0047uF 10% 50V
R878	1-216-897-11	METAL CHIP	10 5% 1/10W	C718	1-115-156-11	CERAMIC CHIP	1uF 10V
R879	1-216-845-11	METAL CHIP	100K 5% 1/10W	C719	1-162-968-11	CERAMIC CHIP	0.0047uF 10% 50V
R880	1-216-849-11	METAL CHIP	220K 5% 1/10W	C720	1-162-927-11	CERAMIC CHIP	100PF 5% 50V
R881	1-216-845-11	METAL CHIP	100K 5% 1/10W	C721	1-164-156-11	CERAMIC CHIP	0.1uF 25V
R882	1-216-845-11	METAL CHIP	100K 5% 1/10W	C722	1-164-156-11	CERAMIC CHIP	0.1uF 25V
R883	1-216-845-11	METAL CHIP	100K 5% 1/10W	C723	1-104-658-11	ELECT	100uF 20% 10V
R884	1-216-817-11	METAL CHIP	470 5% 1/10W	C729	1-126-916-11	ELECT	1000uF 20% 6.3V
R885	1-216-817-11	METAL CHIP	470 5% 1/10W	C730	1-126-925-11	ELECT	470uF 20% 10V
R886	1-216-817-11	METAL CHIP	470 5% 1/10W	C731	1-162-968-11	CERAMIC CHIP	0.0047uF 10% 50V
R887	1-216-841-11	METAL CHIP	47K 5% 1/10W	C732	1-162-970-11	CERAMIC CHIP	0.01uF 10% 25V
R889	1-216-833-11	METAL CHIP	10K 5% 1/10W	C733	1-162-970-11	CERAMIC CHIP	0.01uF 10% 25V
R890	1-216-841-11	METAL CHIP	47K 5% 1/10W	C734	1-162-968-11	CERAMIC CHIP	0.0047uF 10% 50V
R891	1-216-833-11	METAL CHIP	10K 5% 1/10W	C737	1-162-970-11	CERAMIC CHIP	0.01uF 10% 25V
R892	1-216-833-11	METAL CHIP	10K 5% 1/10W	C740	1-164-156-11	CERAMIC CHIP	0.1uF 25V
R893	1-216-845-11	METAL CHIP	100K 5% 1/10W	C741	1-115-156-11	CERAMIC CHIP	1uF 10V
R894	1-216-833-11	METAL CHIP	10K 5% 1/10W	C742	1-164-156-11	CERAMIC CHIP	0.1uF 25V
R895	1-216-853-11	METAL CHIP	470K 5% 1/10W	C743	1-165-176-11	CERAMIC CHIP	0.047uF 10% 16V
R896	1-216-841-11	METAL CHIP	47K 5% 1/10W	C744	1-115-156-11	CERAMIC CHIP	1uF 10V
R898	1-216-809-11	METAL CHIP	100 5% 1/10W	C745	1-162-923-11	CERAMIC CHIP	47PF 5% 50V
R899	1-216-809-11	METAL CHIP	100 5% 1/10W	C746	1-164-156-11	CERAMIC CHIP	0.1uF 25V
R900	1-216-825-11	METAL CHIP	2.2K 5% 1/10W	C747	1-164-156-11	CERAMIC CHIP	0.1uF 25V
R951	1-216-841-11	METAL CHIP	47K 5% 1/10W	C748	1-126-925-11	ELECT	470uF 20% 10V
R952	1-216-825-11	METAL CHIP	2.2K 5% 1/10W	C750	1-162-919-11	CERAMIC CHIP	22PF 5% 50V
R953	1-216-825-11	METAL CHIP	2.2K 5% 1/10W	C751	1-162-923-11	CERAMIC CHIP	47PF 5% 50V
R954	1-216-821-11	METAL CHIP	1K 5% 1/10W	C753	1-162-923-11	CERAMIC CHIP	47PF 5% 50V
R955	1-216-821-11	METAL CHIP	1K 5% 1/10W				
R956	1-216-833-11	METAL CHIP	10K 5% 1/10W				
R957	1-216-833-11	METAL CHIP	10K 5% 1/10W				

CFD-S35CP

MP3-CD

Ref. No.	Part No.	Description	Remark	Ref. No.	Part No.	Description	Remark
C754	1-162-923-11	CERAMIC CHIP 47PF	5% 50V			< TRANSISTOR >	
C756	1-162-923-11	CERAMIC CHIP 47PF	5% 50V				
C760	1-162-923-11	CERAMIC CHIP 47PF	5% 50V				
C761	1-162-923-11	CERAMIC CHIP 47PF	5% 50V	Q701	8-729-054-57	TRANSISTOR KTN2907AS-RTK	
C762	1-162-923-11	CERAMIC CHIP 47PF	5% 50V			< RESISTOR >	
C763	1-162-923-11	CERAMIC CHIP 47PF	5% 50V	R701	1-216-841-11	METAL CHIP 47K	5% 1/10W
C764	1-162-923-11	CERAMIC CHIP 47PF	5% 50V	R702	1-216-833-11	METAL CHIP 10K	5% 1/10W
C766	1-162-923-11	CERAMIC CHIP 47PF	5% 50V	R703	1-216-833-11	METAL CHIP 10K	5% 1/10W
C767	1-162-919-11	CERAMIC CHIP 22PF	5% 50V	R704	1-216-833-11	METAL CHIP 10K	5% 1/10W
C1001	1-162-923-11	CERAMIC CHIP 47PF	5% 50V	R705	1-216-833-11	METAL CHIP 10K	5% 1/10W
C1010	1-164-156-11	CERAMIC CHIP 0.1uF	25V	R706	1-216-841-11	METAL CHIP 47K	5% 1/10W
C1011	1-164-156-11	CERAMIC CHIP 0.1uF	25V	R707	1-216-797-11	METAL CHIP 10	5% 1/10W
C1012	1-115-156-11	CERAMIC CHIP 1uF	10V	R708	1-216-833-11	METAL CHIP 10K	5% 1/10W
C1013	1-164-156-11	CERAMIC CHIP 0.1uF	25V	R709	1-216-837-11	METAL CHIP 22K	5% 1/10W
C1014	1-104-658-11	ELECT 100uF	20% 10V	R710	1-216-829-11	METAL CHIP 4.7K	5% 1/10W
C1029	1-126-916-11	ELECT 1000uF	20% 6.3V	R711	1-216-813-11	METAL CHIP 220	5% 1/10W
C1030	1-164-156-11	CERAMIC CHIP 0.1uF	25V	R712	1-216-825-11	METAL CHIP 2.2K	5% 1/10W
C1031	1-164-156-11	CERAMIC CHIP 0.1uF	25V	R713	1-216-821-11	METAL CHIP 1K	5% 1/10W
C1037	1-164-156-11	CERAMIC CHIP 0.1uF	25V	R714	1-216-809-11	METAL CHIP 100	5% 1/10W
C1042	1-104-658-11	ELECT 100uF	20% 10V	R715	1-216-809-11	METAL CHIP 100	5% 1/10W
C1043	1-164-156-11	CERAMIC CHIP 0.1uF	25V	R716	1-216-809-11	METAL CHIP 100	5% 1/10W
C1044	1-164-156-11	CERAMIC CHIP 0.1uF	25V	R717	1-216-809-11	METAL CHIP 100	5% 1/10W
C1054	1-126-925-11	ELECT 470uF	20% 10V	R718	1-216-809-11	METAL CHIP 100	5% 1/10W
C1055	1-164-156-11	CERAMIC CHIP 0.1uF	25V	R719	1-216-809-11	METAL CHIP 100	5% 1/10W
C1056	1-115-156-11	CERAMIC CHIP 1uF	10V	R720	1-216-809-11	METAL CHIP 100	5% 1/10W
C1057	1-162-923-11	CERAMIC CHIP 47PF	5% 50V	R721	1-216-809-11	METAL CHIP 100	5% 1/10W
C1058	1-162-923-11	CERAMIC CHIP 47PF	5% 50V	R722	1-216-809-11	METAL CHIP 100	5% 1/10W
C1059	1-162-923-11	CERAMIC CHIP 47PF	5% 50V	R723	1-216-809-11	METAL CHIP 100	5% 1/10W
C1066	1-162-923-11	CERAMIC CHIP 47PF	5% 50V	R724	1-216-841-11	METAL CHIP 47K	5% 1/10W
C1067	1-162-923-11	CERAMIC CHIP 47PF	5% 50V	R725	1-216-817-11	METAL CHIP 470	5% 1/10W
C1068	1-162-923-11	CERAMIC CHIP 47PF	5% 50V	R726	1-216-817-11	METAL CHIP 470	5% 1/10W
C1069	1-162-923-11	CERAMIC CHIP 47PF	5% 50V	R727	1-216-825-11	METAL CHIP 2.2K	5% 1/10W
C1070	1-162-923-11	CERAMIC CHIP 47PF	5% 50V	R728	1-216-833-11	METAL CHIP 10K	5% 1/10W
C1074	1-162-919-11	CERAMIC CHIP 22PF	5% 50V	R729	1-216-813-11	METAL CHIP 220	5% 1/10W
C1110	1-162-970-11	CERAMIC CHIP 0.01uF	10% 25V	R730	1-216-821-11	METAL CHIP 1K	5% 1/10W
		< CONNECTOR >		R731	1-216-825-11	METAL CHIP 2.2K	5% 1/10W
CNP701	1-779-553-21	CONNECTOR, FFC (LIF(NON-ZIF)) 16P		R732	1-216-809-11	METAL CHIP 100	5% 1/10W
CNP702	1-784-742-11	CONNECTOR, FFC 20P		R733	1-216-809-11	METAL CHIP 100	5% 1/10W
		< FERRITE BEAD >		R734	1-216-809-11	METAL CHIP 100	5% 1/10W
FB701	1-469-701-21	FERRITE, EMI (SMD) (1608)		R735	1-216-809-11	METAL CHIP 100	5% 1/10W
FB702	1-469-701-21	FERRITE, EMI (SMD) (1608)		R736	1-216-809-11	METAL CHIP 100	5% 1/10W
FB703	1-469-701-21	FERRITE, EMI (SMD) (1608)		R737	1-216-809-11	METAL CHIP 100	5% 1/10W
FB704	1-469-701-21	FERRITE, EMI (SMD) (1608)		R740	1-216-809-11	METAL CHIP 100	5% 1/10W
FB705	1-469-701-21	FERRITE, EMI (SMD) (1608)		R743	1-216-829-11	METAL CHIP 4.7K	5% 1/10W
FB706	1-469-701-21	FERRITE, EMI (SMD) (1608)		R744	1-216-845-11	METAL CHIP 100K	5% 1/10W
FB707	1-469-701-21	FERRITE, EMI (SMD) (1608)		R745	1-216-809-11	METAL CHIP 100	5% 1/10W
FB1001	1-469-701-21	FERRITE, EMI (SMD) (1608)		R753	1-216-829-11	METAL CHIP 4.7K	5% 1/10W
FB1002	1-469-701-21	FERRITE, EMI (SMD) (1608)		R755	1-216-829-11	METAL CHIP 4.7K	5% 1/10W
		< IC >		R756	1-216-829-11	METAL CHIP 4.7K	5% 1/10W
IC701	6-701-796-01	IC LC78646E-US-E		R757	1-216-829-11	METAL CHIP 4.7K	5% 1/10W
IC702	6-701-787-11	IC BA5826FP-E2		R758	1-216-829-11	METAL CHIP 4.7K	5% 1/10W
IC1001	6-704-008-01	IC LC78684E-US-E		R759	1-216-809-11	METAL CHIP 100	5% 1/10W
IC1002	6-704-009-01	IC LC32V4265CT-25-MPB-E		R760	1-216-825-11	METAL CHIP 2.2K	5% 1/10W
IC1003	6-704-059-01	IC S-817B18AMC-CWHT2G		R761	1-216-805-11	METAL CHIP 47	5% 1/10W
				R762	1-216-805-11	METAL CHIP 47	5% 1/10W
				R763	1-216-813-11	METAL CHIP 220	5% 1/10W
				R764	1-216-813-11	METAL CHIP 220	5% 1/10W
				R765	1-216-841-11	METAL CHIP 47K	5% 1/10W

MP3-CD

POWER

POWER KEY

TC

Ref. No.	Part No.	Description	Remark	Ref. No.	Part No.	Description	Remark
R766	1-216-797-11	METAL CHIP	10 5% 1/10W			< TRANSFORMER >	
R1001	1-216-809-11	METAL CHIP	100 5% 1/10W				
R1002	1-216-809-11	METAL CHIP	100 5% 1/10W				
R1003	1-216-809-11	METAL CHIP	100 5% 1/10W	△ T901	1-435-917-21	TRANSFORMER, POWER (MX)	
R1004	1-216-809-11	METAL CHIP	100 5% 1/10W	△ T901	1-435-918-21	TRANSFORMER, POWER (EXCEPT MX)	

R1005	1-216-809-11	METAL CHIP	100 5% 1/10W	A-1101-717-A	POWER KEY BOARD, COMPLETE		
R1017	1-216-825-11	METAL CHIP	2.2K 5% 1/10W	*****			
R1018	1-216-809-11	METAL CHIP	100 5% 1/10W			< RESISTOR >	
R1019	1-216-821-11	METAL CHIP	1K 5% 1/10W				
R1020	1-216-821-11	METAL CHIP	1K 5% 1/10W	R401	1-216-813-11	METAL CHIP	220 5% 1/10W
R1068	1-216-825-11	METAL CHIP	2.2K 5% 1/10W	R402	1-216-817-11	METAL CHIP	470 5% 1/10W
R1073	1-216-809-11	METAL CHIP	100 5% 1/10W			< SWITCH >	
R1074	1-216-821-11	METAL CHIP	1K 5% 1/10W				
R1075	1-216-821-11	METAL CHIP	1K 5% 1/10W	S401	1-786-050-21	SWITCH, KEYBOARD (OPERATE)	
R1076	1-216-821-11	METAL CHIP	1K 5% 1/10W	S402	1-786-050-21	SWITCH, KEYBOARD (SLEEP)	

R1077	1-216-809-11	METAL CHIP	100 5% 1/10W	A-1108-791-A	TC BOARD, COMPLETE		
R1078	1-216-809-11	METAL CHIP	100 5% 1/10W	*****			
R1079	1-216-809-11	METAL CHIP	100 5% 1/10W			< CAPACITOR >	
R1080	1-216-809-11	METAL CHIP	100 5% 1/10W	C101	1-162-964-11	CERAMIC CHIP	0.001uF 10% 50V
R1081	1-216-821-11	METAL CHIP	1K 5% 1/10W	C102	1-104-658-11	ELECT	100uF 20% 10V
R1082	1-216-805-11	METAL CHIP	47 5% 1/10W	C103	1-165-176-11	CERAMIC CHIP	0.047uF 10% 16V
				C104	1-162-966-11	CERAMIC CHIP	0.0022uF 10% 50V
				C105	1-162-923-11	CERAMIC CHIP	47PF 5% 50V
						< SWITCH >	
S701	1-571-936-11	SWITCH, LEAF (LIMIT)		C107	1-162-962-11	CERAMIC CHIP	470PF 10% 50V
				C201	1-162-964-11	CERAMIC CHIP	0.001uF 10% 50V
				C202	1-104-658-11	ELECT	100uF 20% 10V
X701	1-795-563-21	VIBRATOR, CERAMIC (16.9MHz)		C203	1-165-176-11	CERAMIC CHIP	0.047uF 10% 16V
				C204	1-162-966-11	CERAMIC CHIP	0.0022uF 10% 50V
*****				C205	1-162-923-11	CERAMIC CHIP	47PF 5% 50V
*	1-725-705-11	POWER BOARD		C207	1-162-962-11	CERAMIC CHIP	470PF 10% 50V
				C301	1-104-658-11	ELECT	100uF 20% 10V
	1-533-233-31	HOLDER, FUSE		C302	1-104-658-11	ELECT	100uF 20% 10V
				C303	1-104-658-11	ELECT	100uF 20% 10V
						< CAPACITOR >	
C901	1-162-995-11	CERAMIC CHIP	0.022uF 50V	C304	1-126-947-11	ELECT	47uF 20% 35V
C902	1-162-995-11	CERAMIC CHIP	0.022uF 50V	C305	1-162-962-11	CERAMIC CHIP	470PF 10% 50V
C903	1-162-995-11	CERAMIC CHIP	0.022uF 50V	C306	1-162-970-11	CERAMIC CHIP	0.01uF 10% 25V
C904	1-162-995-11	CERAMIC CHIP	0.022uF 50V	C307	1-162-964-11	CERAMIC CHIP	0.001uF 10% 50V
C906	1-126-964-11	ELECT	10uF 20% 50V	C308	1-162-927-11	CERAMIC CHIP	100PF 5% 50V
						< CONNECTOR >	
CNP901	1-815-551-11	PIN, CONNECTOR (PWB) 3P		C310	1-164-230-11	CERAMIC CHIP	220PF 5% 50V
						< CONNECTOR >	
				CN303	1-784-774-11	CONNECTOR, FFC 13P	
						< DIODE >	
D901	8-719-063-79	DIODE 1N4002B				< IC >	
D902	8-719-063-79	DIODE 1N4002B		IC301	8-759-264-71	IC TA2068N	
D903	8-719-063-79	DIODE 1N4002B				< JUMPER RESISTOR >	
D904	8-719-063-79	DIODE 1N4002B		JC301	1-216-864-11	SHORT CHIP	0
				JC302	1-216-864-11	SHORT CHIP	0
				JC303	1-216-864-11	SHORT CHIP	0
						< FUSE >	
△ F902	1-533-468-12	FUSE, GLASS TUBE (DIA. 5) (T2AL/250V)				< AC INLET >	
△ F902	1-533-469-12	FUSE, GLASS TUBE (DIA. 5) (2.5A/250V)(MX)					
△ J901	1-526-818-11	INLET, AC (～ AC IN) (MX)					
△ J901	1-526-838-11	INLET, AC 2P (～ AC IN) (EXCEPT MX)					

CFD-S35CP

Ver. 1.1

TC **TUNER (2 BAND)**

Ref. No.	Part No.	Description	Remark
JC304	1-216-864-11	SHORT CHIP	0
JC305	1-216-864-11	SHORT CHIP	0
JC306	1-216-295-11	SHORT CHIP	0
JC307	1-216-864-11	SHORT CHIP	0
JC308	1-216-295-11	SHORT CHIP	0
JC309	1-216-864-11	SHORT CHIP	0
< TRANSISTOR >			
Q301	8-729-901-81	TRANSISTOR	2SC2412K-T-146-R
Q302	8-729-907-00	TRANSISTOR	DTC114EU
Q303	8-729-907-00	TRANSISTOR	DTC114EU
< RESISTOR >			
R101	1-216-835-11	METAL CHIP	15K 5% 1/10W
R102	1-216-807-11	METAL CHIP	68 5% 1/10W
R103	1-216-843-11	METAL CHIP	68K 5% 1/10W
R104	1-216-835-11	METAL CHIP	15K 5% 1/10W
R105	1-216-835-11	METAL CHIP	15K 5% 1/10W
R106	1-216-825-11	METAL CHIP	2.2K 5% 1/10W
R110	1-216-809-11	METAL CHIP	100 5% 1/10W
R111	1-216-829-11	METAL CHIP	4.7K 5% 1/10W
R112	1-216-827-11	METAL CHIP	3.3K 5% 1/10W
R201	1-216-835-11	METAL CHIP	15K 5% 1/10W
R202	1-216-807-11	METAL CHIP	68 5% 1/10W
R203	1-216-843-11	METAL CHIP	68K 5% 1/10W
R204	1-216-835-11	METAL CHIP	15K 5% 1/10W
R205	1-216-835-11	METAL CHIP	15K 5% 1/10W
R206	1-216-825-11	METAL CHIP	2.2K 5% 1/10W
R210	1-216-025-11	RES-CHIP	100 5% 1/10W
R211	1-216-829-11	METAL CHIP	4.7K 5% 1/10W
R212	1-216-827-11	METAL CHIP	3.3K 5% 1/10W
R301	1-216-857-11	METAL CHIP	1M 5% 1/10W
R302	1-216-829-11	METAL CHIP	4.7K 5% 1/10W
R303	1-216-829-11	METAL CHIP	4.7K 5% 1/10W
R304	1-216-821-11	METAL CHIP	1K 5% 1/10W
R305	1-216-817-11	METAL CHIP	470 5% 1/10W
R306	1-218-867-11	METAL CHIP	6.8K 0.5% 1/10W
R307	1-216-797-11	METAL CHIP	10 5% 1/10W
R308	1-216-837-11	METAL CHIP	22K 5% 1/10W
R309	1-216-805-11	METAL CHIP	47 5% 1/10W
R310	1-216-857-11	METAL CHIP	1M 5% 1/10W
R311	1-216-857-11	METAL CHIP	1M 5% 1/10W
R314	1-216-817-11	METAL CHIP	470 5% 1/10W
R315	1-216-817-11	METAL CHIP	470 5% 1/10W
< SWITCH >			
S301	1-786-126-11	SWITCH, SLIDE (REC/PB)	
< TRANSFORMER >			
T301	1-416-041-11	TRANSFORMER, BIAS OSCILLATION	

Ref. No.	Part No.	Description	Remark
	A-1098-549-A	TUNER BOARD, COMPLETE (MX)	
	A-1098-611-A	TUNER BOARD, COMPLETE (EA,KR,SP,TH)	

	2-547-169-01	TERMINAL, ANTENNA	
		< CAPACITOR >	
C1	1-162-923-11	CERAMIC CHIP	47PF 5% 50V
C4	1-162-964-11	CERAMIC CHIP	0.001uF 10% 50V
C7	1-162-910-11	CERAMIC CHIP	5PF 0.25PF 50V
C8	1-162-964-11	CERAMIC CHIP	0.001uF 10% 50V
C9	1-162-915-11	CERAMIC CHIP	10PF 0.5PF 50V
C10	1-126-960-11	ELECT	1uF 20% 50V
C11	1-107-826-11	CERAMIC CHIP	0.1uF 10% 16V
C12	1-126-963-11	ELECT	4.7uF 20% 50V
C13	1-162-970-11	CERAMIC CHIP	0.01uF 10% 25V
			(MX)
C14	1-162-970-11	CERAMIC CHIP	0.01uF 10% 25V
			(EA,KR,SP,TH)
C14	1-164-227-11	CERAMIC CHIP	0.022uF 10% 25V
			(MX)
C15	1-162-970-11	CERAMIC CHIP	0.01uF 10% 25V
			(EA,KR,SP,TH)
C15	1-164-227-11	CERAMIC CHIP	0.022uF 10% 25V
			(MX)
C18	1-126-923-11	ELECT	220uF 20% 10V
C20	1-107-826-11	CERAMIC CHIP	0.1uF 10% 16V
C21	1-126-960-11	ELECT	1uF 20% 50V
C22	1-107-826-11	CERAMIC CHIP	0.1uF 10% 16V
C23	1-126-960-11	ELECT	1uF 20% 50V
C24	1-162-960-11	CERAMIC CHIP	220PF 10% 50V
C26	1-162-927-11	CERAMIC CHIP	100PF 5% 50V
C27	1-162-927-11	CERAMIC CHIP	100PF 5% 50V
C29	1-104-658-11	ELECT	100uF 20% 10V
C30	1-162-970-11	CERAMIC CHIP	0.01uF 10% 25V
C31	1-162-919-11	CERAMIC CHIP	22PF 5% 50V
C32	1-162-964-11	CERAMIC CHIP	0.001uF 10% 50V
C33	1-162-970-11	CERAMIC CHIP	0.01uF 10% 25V
C34	1-162-970-11	CERAMIC CHIP	0.01uF 10% 25V
C35	1-162-970-11	CERAMIC CHIP	0.01uF 10% 25V
C37	1-162-970-11	CERAMIC CHIP	0.01uF 10% 25V
C39	1-107-826-11	CERAMIC CHIP	0.1uF 10% 16V
C41	1-164-230-11	CERAMIC CHIP	220PF 5% 50V
C42	1-162-927-11	CERAMIC CHIP	100PF 5% 50V
C43	1-162-919-11	CERAMIC CHIP	22PF 5% 50V
C47	1-162-915-11	CERAMIC CHIP	10PF 0.5PF 50V
C49	1-161-051-00	CERAMIC	0.01uF 10% 25V
C51	1-162-919-11	CERAMIC CHIP	22PF 5% 50V
C52	1-162-915-11	CERAMIC CHIP	10PF 0.5PF 50V
C53	1-137-190-11	FILM	0.22uF 5% 50V
C54	1-126-923-11	ELECT	220uF 20% 10V
C55	1-162-927-11	CERAMIC CHIP	100PF 5% 50V
C56	1-162-964-11	CERAMIC CHIP	0.001uF 10% 50V
C57	1-162-964-11	CERAMIC CHIP	0.001uF 10% 50V
C59	1-162-927-11	CERAMIC CHIP	100PF 5% 50V
C60	1-162-964-11	CERAMIC CHIP	0.001uF 10% 50V
C61	1-162-927-11	CERAMIC CHIP	100PF 5% 50V
C62	1-162-927-11	CERAMIC CHIP	100PF 5% 50V
C63	1-162-927-11	CERAMIC CHIP	100PF 5% 50V

TUNER (2 BAND)

TUNER (3 BAND)

Ref. No.	Part No.	Description	Remark	Ref. No.	Part No.	Description	Remark
C65	1-126-963-11	ELECT	4.7uF 20% 50V	R3	1-216-833-11	METAL CHIP	10K 5% 1/10W
C66	1-162-927-11	CERAMIC CHIP	100PF 5% 50V	R4	1-216-833-11	METAL CHIP	10K 5% 1/10W
C68	1-162-927-11	CERAMIC CHIP	100PF 5% 50V	R5	1-216-821-11	METAL CHIP	1K 5% 1/10W
C77	1-162-968-11	CERAMIC CHIP	0.0047uF 10% 50V	R10	1-216-805-11	METAL CHIP	47 5% 1/10W
C78	1-162-968-11	CERAMIC CHIP	0.0047uF 10% 50V (EA,KR,SP,TH)	R11	1-216-825-11	METAL CHIP	2.2K 5% 1/10W
C80	1-162-970-11	CERAMIC CHIP	0.01uF 10% 25V	R13	1-216-821-11	METAL CHIP	1K 5% 1/10W
C95	1-162-964-11	CERAMIC CHIP	0.001uF 10% 50V	R14	1-216-821-11	METAL CHIP	1K 5% 1/10W
		< FILTER >		R24	1-216-813-11	METAL CHIP	220 5% 1/10W
CF2	1-760-235-81	FILTER, CERAMIC		R30	1-216-837-11	METAL CHIP	22K 5% 1/10W
CF4	1-781-962-21	FILTER, CERAMIC		R31	1-216-829-11	METAL CHIP	4.7K 5% 1/10W
		< CONNECTOR >		R32	1-216-845-11	METAL CHIP	100K 5% 1/10W
CNP1	1-568-854-11	CONNECTOR, FFC 11P		R33	1-216-833-11	METAL CHIP	10K 5% 1/10W
		< TRIMMER CAPACITOR >		R40	1-216-849-11	METAL CHIP	220K 5% 1/10W
CT1	1-141-442-91	CAP, CERAMIC TRIMMER 20PF		R41	1-216-833-11	METAL CHIP	10K 5% 1/10W
CT3	1-141-304-21	CAP, CERAMIC TRIMMER 10PF		R50	1-216-821-11	METAL CHIP	1K 5% 1/10W
		< DIODE >		R51	1-216-833-11	METAL CHIP	10K 5% 1/10W
D1	8-719-078-48	DIODE KV1471ETR-G		R52	1-216-864-11	SHORT CHIP	0
D2	8-719-078-48	DIODE KV1471ETR-G		R53	1-216-829-11	METAL CHIP	4.7K 5% 1/10W
D3	8-719-050-69	DIODE KV1520N		R54	1-216-817-11	METAL CHIP	470 5% 1/10W
D10	8-719-988-61	DIODE 1SS355TE-17		R55	1-216-833-11	METAL CHIP	10K 5% 1/10W
D11	8-719-988-61	DIODE 1SS355TE-17		R56	1-216-813-11	METAL CHIP	220 5% 1/10W
		< IC >		R57	1-216-809-11	METAL CHIP	100 5% 1/10W
IC1	6-700-512-01	IC TA2149BN		R58	1-216-825-11	METAL CHIP	2.2K 5% 1/10W
IC2	8-759-483-40	IC LC72137M-TLM-E		R59	1-216-825-11	METAL CHIP	2.2K 5% 1/10W
		< JUMPER RESISTOR >		R60	1-216-825-11	METAL CHIP	2.2K 5% 1/10W
JC1	1-216-864-11	SHORT CHIP	0	R61	1-216-825-11	METAL CHIP	2.2K 5% 1/10W
JC2	1-216-864-11	SHORT CHIP	0	R63	1-216-833-11	METAL CHIP	10K 5% 1/10W
JC3	1-216-864-11	SHORT CHIP	0	R65	1-216-833-11	METAL CHIP	10K 5% 1/10W
JC4	1-216-864-11	SHORT CHIP	0	R91	1-216-813-11	METAL CHIP	220 5% 1/10W
JC5	1-216-864-11	SHORT CHIP	0	R92	1-216-813-11	METAL CHIP	220 5% 1/10W
JC6	1-216-864-11	SHORT CHIP	0	R94	1-216-821-11	METAL CHIP	1K 5% 1/10W
JC11	1-216-864-11	SHORT CHIP	0			< TRANSFORMER >	
JC12	1-216-864-11	SHORT CHIP	0	T1	1-433-741-11	TRANSFORMER, IF	
JC13	1-216-864-11	SHORT CHIP	0	T2	1-419-465-11	COIL (DET)	
JC24	1-216-864-11	SHORT CHIP	0 (EA,KR,SP,TH)			< VIBRATOR >	
JC33	1-216-864-11	SHORT CHIP	0	X1	1-795-449-11	VIBRATOR, CRYSTAL (75kHz)	
JC34	1-216-864-11	SHORT CHIP	0			*****	
		< COIL >		A-1098-590-A	TUNER BOARD, COMPLETE (AEP,UK,CET,RU)	*****	
L1	1-409-775-11	COIL, AIR-CORE		2-547-169-01	TERMINAL, ANTENNA		
L2	1-416-509-11	COIL, AIR-CORE				< CAPACITOR >	
L3	1-754-117-12	ANTENNA, FERRITE-ROD (AM)		C1	1-162-923-11	CERAMIC CHIP	47PF 5% 50V
L4	1-411-234-21	COIL, AM OSC		C2	1-162-970-11	CERAMIC CHIP	0.01uF 10% 25V
L11	1-414-142-11	INDUCTOR	1uH (MX)	C3	1-162-970-11	CERAMIC CHIP	0.01uF 10% 25V
L21	1-410-509-11	INDUCTOR	10uH	C4	1-162-964-11	CERAMIC CHIP	0.001uF 10% 50V
		< RESISTOR >		C5	1-162-970-11	CERAMIC CHIP	0.01uF 10% 25V
R1	1-216-817-11	METAL CHIP	470 5% 1/10W	C6	1-162-970-11	CERAMIC CHIP	0.01uF 10% 25V
R2	1-216-817-11	METAL CHIP	470 5% 1/10W	C7	1-162-910-11	CERAMIC CHIP	5PF 0.25PF 50V
				C8	1-162-964-11	CERAMIC CHIP	0.001uF 10% 50V
				C9	1-162-915-11	CERAMIC CHIP	10PF 0.5PF 50V
				C10	1-126-960-11	ELECT	1uF 20% 50V
				C11	1-107-826-11	CERAMIC CHIP	0.1uF 10% 16V
				C12	1-126-963-11	ELECT	4.7uF 20% 50V

CFD-S35CP

TUNER (3 BAND)

Ref. No.	Part No.	Description	Remark	Ref. No.	Part No.	Description	Remark
C14	1-162-970-11	CERAMIC CHIP	0.01uF 10% 25V			< CONNECTOR >	
C15	1-162-970-11	CERAMIC CHIP	0.01uF 10% 25V				
C18	1-126-923-11	ELECT	220uF 20% 10V	CNP1	1-568-854-11	CONNECTOR, FFC 11P	
C20	1-107-826-11	CERAMIC CHIP	0.1uF 10% 16V			< TRIMMER CAPACITOR >	
C21	1-126-960-11	ELECT	1uF 20% 50V				
C22	1-107-826-11	CERAMIC CHIP	0.1uF 10% 16V	CT1	1-141-442-91	CAP, CERAMIC TRIMMER 20PF	
C23	1-126-960-11	ELECT	1uF 20% 50V	CT3	1-141-304-21	CAP, CERAMIC TRIMMER 10PF	
C24	1-162-960-11	CERAMIC CHIP	220PF 10% 50V	CT5	1-141-459-11	CAP, TRIMMER (SEAL TYPE) 45PF	
C25	1-162-968-11	CERAMIC CHIP	0.0047uF 10% 50V			< DIODE >	
C29	1-104-658-11	ELECT	100uF 20% 10V				
C30	1-162-970-11	CERAMIC CHIP	0.01uF 10% 25V	D1	8-719-078-48	DIODE KV1471ETR-G	
C31	1-162-919-11	CERAMIC CHIP	22PF 5% 50V	D2	8-719-078-48	DIODE KV1471ETR-G	
C32	1-162-964-11	CERAMIC CHIP	0.001uF 10% 50V	D3	8-719-050-69	DIODE KV1520N	
C33	1-162-970-11	CERAMIC CHIP	0.01uF 10% 25V	D10	8-719-988-61	DIODE 1SS355TE-17	
C34	1-162-970-11	CERAMIC CHIP	0.01uF 10% 25V	D11	8-719-988-61	DIODE 1SS355TE-17	
C35	1-162-970-11	CERAMIC CHIP	0.01uF 10% 25V			< IC >	
C37	1-162-970-11	CERAMIC CHIP	0.01uF 10% 25V				
C39	1-107-826-11	CERAMIC CHIP	0.1uF 10% 16V	IC1	6-700-512-01	IC TA2149BN	
C40	1-162-915-11	CERAMIC CHIP	10PF 0.5PF 50V	IC2	8-759-483-40	IC LC72137M-TLM-E	
C41	1-164-230-11	CERAMIC CHIP	220PF 5% 50V			< JUMPER RESISTOR >	
C42	1-162-927-11	CERAMIC CHIP	100PF 5% 50V	JC1	1-216-864-11	SHORT CHIP 0	
C43	1-162-923-11	CERAMIC CHIP	47PF 5% 50V	JC2	1-216-864-11	SHORT CHIP 0	
C44	1-164-230-11	CERAMIC CHIP	220PF 5% 50V	JC3	1-216-864-11	SHORT CHIP 0	
C45	1-162-970-11	CERAMIC CHIP	0.01uF 10% 25V	JC4	1-216-864-11	SHORT CHIP 0	
C46	1-107-826-11	CERAMIC CHIP	0.1uF 10% 16V	JC5	1-216-864-11	SHORT CHIP 0	
C48	1-162-923-11	CERAMIC CHIP	47PF 5% 50V	JC6	1-216-864-11	SHORT CHIP 0	
C49	1-161-772-11	CERAMIC	0.1uF 10% 25V	JC22	1-216-864-11	SHORT CHIP 0	
C51	1-162-919-11	CERAMIC CHIP	22PF 5% 50V	JC23	1-216-864-11	SHORT CHIP 0	
C52	1-162-915-11	CERAMIC CHIP	10PF 0.5PF 50V	JC24	1-216-864-11	SHORT CHIP 0	
C53	1-137-194-81	FILM	0.47uF 5% 50V	JC33	1-216-864-11	SHORT CHIP 0	
C54	1-126-923-11	ELECT	220uF 20% 10V	JC34	1-216-864-11	SHORT CHIP 0	
C55	1-162-927-11	CERAMIC CHIP	100PF 5% 50V			< COIL >	
C56	1-162-964-11	CERAMIC CHIP	0.001uF 10% 50V	L1	1-409-775-11	COIL, AIR-CORE	
C57	1-162-964-11	CERAMIC CHIP	0.001uF 10% 50V	L2	1-416-509-11	COIL, AIR-CORE	
C58	1-162-970-11	CERAMIC CHIP	0.01uF 10% 25V	L3	1-754-116-12	ANTENNA, FERRITE-ROD (MW/LW)	
C59	1-162-964-11	CERAMIC CHIP	0.001uF 10% 50V	L4	1-411-199-31	COIL, MW/LW OSC	
C60	1-162-964-11	CERAMIC CHIP	0.001uF 10% 50V	L21	1-410-509-11	INDUCTOR 10uH	
C61	1-162-927-11	CERAMIC CHIP	100PF 5% 50V			< TRANSISTOR >	
C62	1-162-927-11	CERAMIC CHIP	100PF 5% 50V	Q12	8-729-028-99	TRANSISTOR DTC114YUA-T106	
C63	1-162-927-11	CERAMIC CHIP	100PF 5% 50V	Q14	8-729-905-35	TRANSISTOR 2SC4081-R	
C64	1-162-927-11	CERAMIC CHIP	100PF 5% 50V	Q41	8-729-920-31	TRANSISTOR DTC343TK	
C66	1-162-927-11	CERAMIC CHIP	100PF 5% 50V	Q42	8-729-054-77	TRANSISTOR 2SC4098-T106-PQ	
C68	1-162-927-11	CERAMIC CHIP	100PF 5% 50V	Q43	8-729-920-38	TRANSISTOR 2SC2059K-N	
C70	1-162-910-11	CERAMIC CHIP	5PF 0.25PF 50V	Q44	8-729-054-77	TRANSISTOR 2SC4098-T106-PQ	
C71	1-162-927-11	CERAMIC CHIP	100PF 5% 50V	Q61	8-729-106-07	FET 2SK514-H	
C72	1-162-919-11	CERAMIC CHIP	22PF 5% 50V			< RESISTOR >	
C73	1-162-919-11	CERAMIC CHIP	22PF 5% 50V	R1	1-216-817-11	METAL CHIP 470 5% 1/10W	
C77	1-162-968-11	CERAMIC CHIP	0.0047uF 10% 50V	R2	1-216-817-11	METAL CHIP 470 5% 1/10W	
C78	1-162-968-11	CERAMIC CHIP	0.0047uF 10% 50V	R3	1-216-833-11	METAL CHIP 10K 5% 1/10W	
C80	1-162-970-11	CERAMIC CHIP	0.01uF 10% 25V	R4	1-216-833-11	METAL CHIP 10K 5% 1/10W	
C93	1-162-970-11	CERAMIC CHIP	0.01uF 10% 25V	R7	1-216-853-11	METAL CHIP 470K 5% 1/10W	
C95	1-162-964-11	CERAMIC CHIP	0.001uF 10% 50V	R9	1-216-845-11	METAL CHIP 100K 5% 1/10W	
		< FILTER >		R10	1-216-805-11	METAL CHIP 47 5% 1/10W	
CF2	1-795-426-11	FILTER, CERAMIC		R11	1-216-825-11	METAL CHIP 2.2K 5% 1/10W	
CF4	1-781-962-21	FILTER, CERAMIC					

Ref. No.	Part No.	Description	Remark	Ref. No.	Part No.	Description	Remark
R12	1-216-841-11	METAL CHIP	47K 5% 1/10W	ANT1	1-754-376-11	ANTENNA, TELESCOPIC (FM)	
R13	1-216-821-11	METAL CHIP	1K 5% 1/10W	C309	1-162-923-11	CERAMIC CHIP 47PF 5% 50V	(AEP,UK,CET,RU)
R14	1-216-821-11	METAL CHIP	1K 5% 1/10W	D408	6-500-306-01	LED FA3864X (MP3)	
R16	1-216-833-11	METAL CHIP	10K 5% 1/10W	HE301	1-500-813-11	HEAD, ERASE (ERASE)	
R17	1-216-825-11	METAL CHIP	2.2K 5% 1/10W	HRP301	3-266-053-01	HEAD, RP (REC/PB)	
R18	1-216-829-11	METAL CHIP	4.7K 5% 1/10W	M702	X-2625-769-1	GEAR ASSY (MB) (RP), MOTOR (SLED)	
R19	1-216-825-11	METAL CHIP	2.2K 5% 1/10W	M801	X-3385-048-1	MOTOR SUB ASSY (CAPSTAN/REEL)	
R22	1-216-833-11	METAL CHIP	10K 5% 1/10W	S801	1-692-960-11	SWITCH, PUSH (1 KEY)	(▲ PUSH OPEN/CLOSE)
R24	1-216-813-11	METAL CHIP	220 5% 1/10W	SP301	1-825-690-11	SPEAKER (DIA. 10cm) (L-CH)	
R30	1-216-837-11	METAL CHIP	22K 5% 1/10W	SP302	1-825-690-11	SPEAKER (DIA. 10cm) (R-CH)	
R31	1-216-829-11	METAL CHIP	4.7K 5% 1/10W	*****			
R32	1-216-845-11	METAL CHIP	100K 5% 1/10W	ACCESSORIES			
R33	1-216-833-11	METAL CHIP	10K 5% 1/10W	*****			
R40	1-216-853-11	METAL CHIP	470K 5% 1/10W	△	1-590-342-12	CORD, POWER (MX)	
R41	1-216-833-11	METAL CHIP	10K 5% 1/10W	△	1-769-412-22	CORD, POWER (EXCEPT KR,MX)	
R42	1-216-845-11	METAL CHIP	100K 5% 1/10W	△	1-770-019-11	ADAPTOR, CONVERSION PLUG 3P (UK)	
R43	1-216-833-11	METAL CHIP	10K 5% 1/10W	△	1-776-985-12	CORD, POWER (KR)	
R44	1-216-821-11	METAL CHIP	1K 5% 1/10W		2-548-054-13	MANUAL, INSTRUCTION (ENGLISH)	(AEP,UK,EA,KR,SP,TH)
R45	1-216-833-11	METAL CHIP	10K 5% 1/10W		2-548-054-22	MANUAL, INSTRUCTION (SWEDISH) (CET)	
R46	1-216-829-11	METAL CHIP	4.7K 5% 1/10W		2-548-054-32	MANUAL, INSTRUCTION (FINNISH) (CET)	
R47	1-216-817-11	METAL CHIP	470 5% 1/10W		2-548-054-42	MANUAL, INSTRUCTION (HUNGARIAN) (CET)	
R48	1-216-864-11	SHORT CHIP	0		2-548-054-52	MANUAL, INSTRUCTION (CZECH) (CET)	
R49	1-216-813-11	METAL CHIP	220 5% 1/10W		2-548-054-62	MANUAL, INSTRUCTION (POLISH) (CET)	
R50	1-216-809-11	METAL CHIP	100 5% 1/10W		2-548-054-72	MANUAL, INSTRUCTION (SLOVAKIAN) (CET)	
R51	1-216-829-11	METAL CHIP	4.7K 5% 1/10W		2-548-054-82	MANUAL, INSTRUCTION (RUSSIAN) (CET)	
R52	1-216-809-11	METAL CHIP	100 5% 1/10W		2-548-054-92	MANUAL, INSTRUCTION (SPANISH)	(AEP,SP,TH)
R53	1-216-829-11	METAL CHIP	4.7K 5% 1/10W		2-548-055-11	MANUAL, INSTRUCTION (ENGLISH,SPANISH)	(MX)
R54	1-216-817-11	METAL CHIP	470 5% 1/10W		2-548-055-21	MANUAL, INSTRUCTION (ENGLISH,RUSSIAN)	(RU)
R55	1-216-864-11	SHORT CHIP	0		2-548-055-31	MANUAL, INSTRUCTION (ARABIC) (EA)	
R56	1-216-813-11	METAL CHIP	220 5% 1/10W		2-548-055-41	MANUAL, INSTRUCTION (KOREAN) (KR)	
R57	1-216-809-11	METAL CHIP	100 5% 1/10W		2-548-055-51	MANUAL, INSTRUCTION (FRENCH) (AEP)	
R58	1-216-825-11	METAL CHIP	2.2K 5% 1/10W		2-548-055-61	MANUAL, INSTRUCTION (GERMAN) (AEP)	
R59	1-216-825-11	METAL CHIP	2.2K 5% 1/10W		2-548-055-71	MANUAL, INSTRUCTION (DUTCH) (AEP)	
R60	1-216-825-11	METAL CHIP	2.2K 5% 1/10W		2-548-055-81	MANUAL, INSTRUCTION (PORTUGUESE) (AEP)	
R61	1-216-825-11	METAL CHIP	2.2K 5% 1/10W		3-267-151-11	LID, BATTERY (for RMT-CF15/CF15CPAD)	
R62	1-216-829-11	METAL CHIP	4.7K 5% 1/10W		A-1072-200-A	REMOTE COMMANDER (RMT-CF15)	(EA,KR,MX,SP,TH)
R63	1-216-829-11	METAL CHIP	4.7K 5% 1/10W		A-1127-310-A	REMOTE COMMANDER (RMT-CF15CPAD)	(AEP,UK,CET,RU)
R64	1-216-821-11	METAL CHIP	1K 5% 1/10W				
R66	1-216-805-11	METAL CHIP	47 5% 1/10W				
R69	1-216-813-11	METAL CHIP	220 5% 1/10W				
R92	1-216-813-11	METAL CHIP	220 5% 1/10W				
R93	1-216-821-11	METAL CHIP	1K 5% 1/10W				
R94	1-216-821-11	METAL CHIP	1K 5% 1/10W				
		< TRANSFORMER >					
T1	1-433-741-11	TRANSFORMER, IF					
T2	1-419-465-11	COIL (DET)					
		< VIBRATOR >					
X1	1-795-449-11	VIBRATOR, CRYSTAL (75kHz)					

MISCELLANEOUS							

104	1-757-689-11	CABLE, FLEXIBLE FLAT (16 CORE)					
105	1-830-236-11	CABLE, FLEXIBLE FLAT (20 CORE)					
111	1-452-899-11	MAGNET					
160	1-830-235-11	CABLE, FLEXIBLE FLAT (15 CORE)					
207	1-962-797-11	CABLE, FLEXIBLE FLAT (11 CORE)					
253	1-829-058-11	CABLE, FLEXIBLE FLAT (13 CORE)					
△ 301	8-848-483-12	OPTICAL PICK-UP (KSS-213C/C2RP1)					
305	X-2162-709-2	CHASSIS ASSY (CDP), MOTOR (SPINDLE)	(including M701)				

