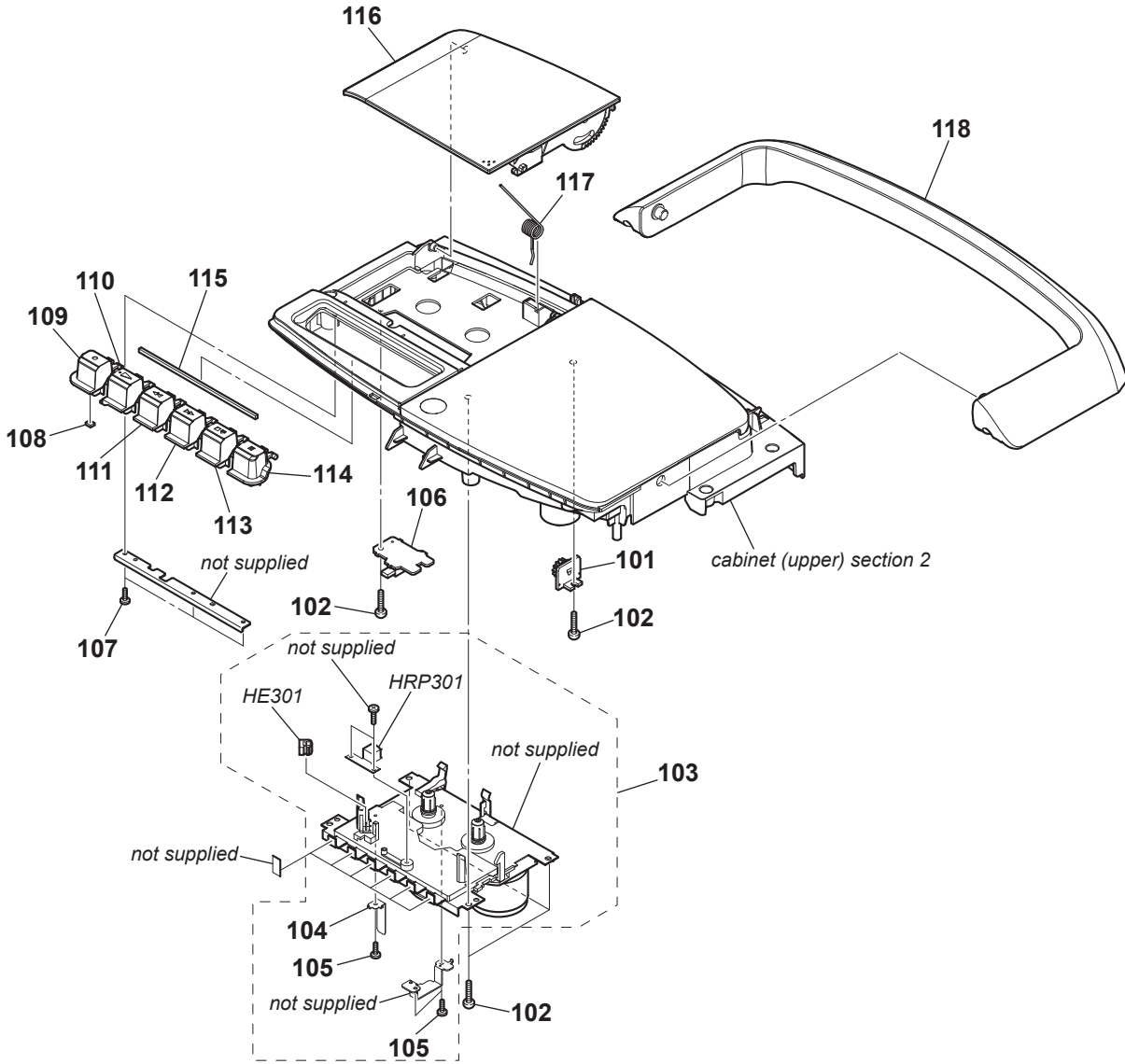
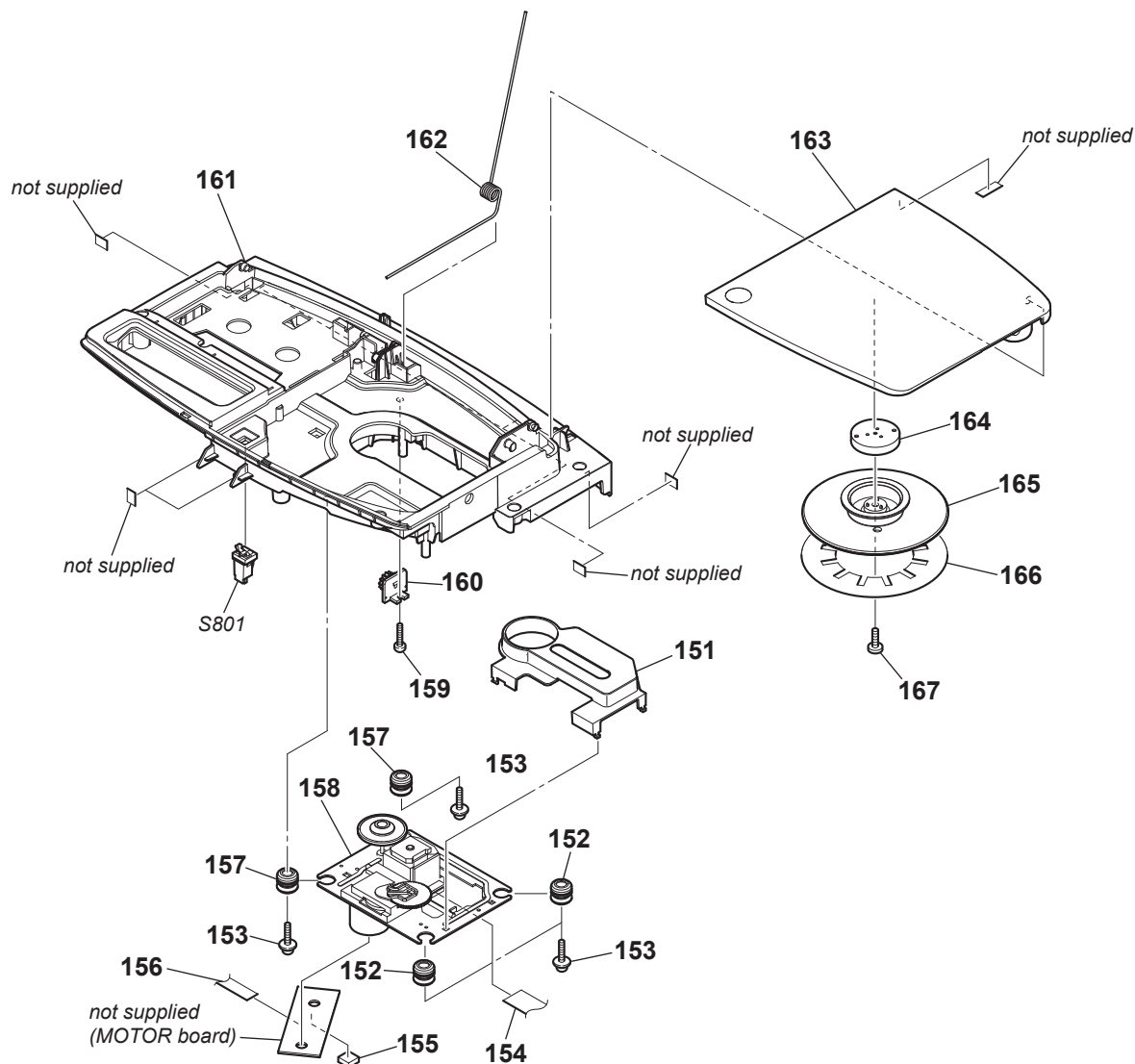


6-3. CABINET (UPPER) SECTION (1)



| Ref. No. | Part No. | Description | Remark | Ref. No. | Part No. | Description | Remark |
|----------|--------------|------------------------------|--------|----------|--------------|---------------------------|--------|
| 101 | 3-047-468-21 | DAMPER | | 111 | 4-167-396-01 | BUTTON (REW) | |
| 102 | 3-252-827-01 | SCREW (B2.6), (+) BV TAPPING | | 112 | 4-167-395-01 | BUTTON (FF) | |
| 103 | A-1760-733-A | MD BLOCK ASSY | | 113 | 4-167-397-01 | BUTTON (STOP) | |
| 104 | 4-167-410-01 | LEVER (REC) | | 114 | 4-167-398-01 | BUTTON (PAUSE) | |
| 105 | 3-254-022-01 | SCREW | | 115 | 4-183-213-01 | CUSHION (CASSETTE BUTTON) | |
| 106 | A-1760-734-A | SWITCH BOARD, COMPLETE | | 116 | 4-167-392-01 | LID, CASSETTE | |
| 107 | 3-254-070-01 | SCREW | | 117 | 4-167-415-01 | SPRING, CASSETTE | |
| 108 | 3-831-441-11 | CUSHION (B) | | 118 | 4-167-389-01 | HANDLE | |
| 109 | 4-167-394-01 | BUTTON (REC) | | HE301 | 1-500-813-11 | HEAD, ERASE (ERASE) | |
| 110 | 4-167-393-01 | BUTTON (PLAY) | | HRP301 | 3-266-053-01 | HEAD, RP (REC/PB) | |

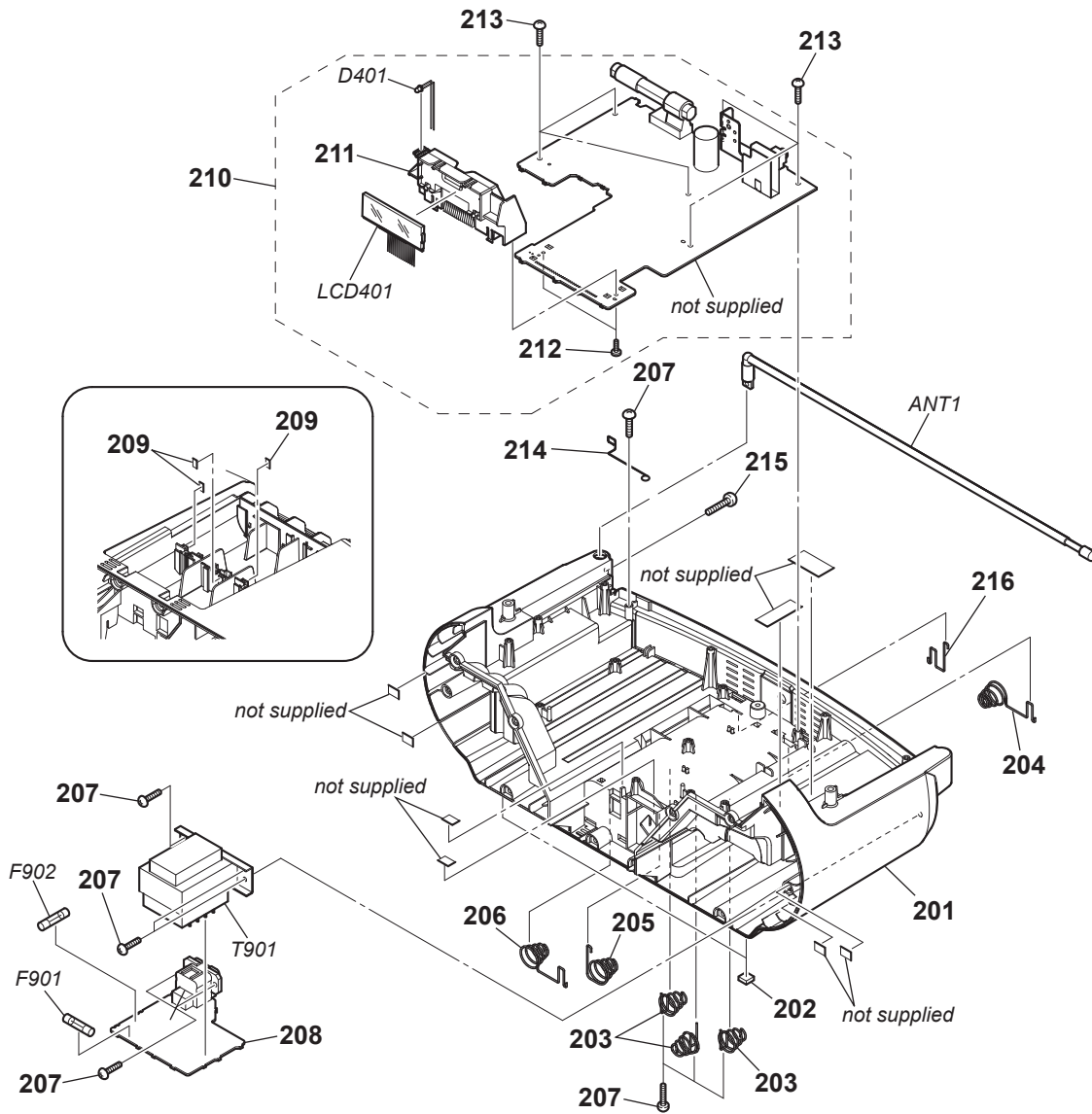
6-4. CABINET (UPPER) SECTION (2)



Note: If the wire (flat type) was replaced, fold it some as the wire (flat type) before replacement.

| Ref. No. | Part No. | Description | Remark | Ref. No. | Part No. | Description | Remark |
|----------|--------------|---------------------------------|--------|----------|--------------|--|--------|
| 151 | 4-167-399-01 | COVER, CD | | 160 | 3-047-468-11 | DAMPER | |
| 152 | 3-931-379-21 | RUBBER, VIBRATION PROOF (RED) | | 161 | 4-167-382-01 | CABINET (UPPER) | |
| 153 | 3-252-828-01 | SCREW (B2.6), (+) PWH TAPPING | | 162 | 4-167-416-01 | SPRING, CD | |
| 154 | 1-838-039-31 | CABLE, FLEXIBLE FLAT (16 CORE) | | 163 | 4-167-390-01 | LID, CD | |
| 155 | 4-175-101-01 | CUSHION (FFC) | | 164 | 1-452-899-11 | MAGNET | |
| 156 | 1-831-758-32 | CABLE, FLEXIBLE FLAT (6 CORE) | | 165 | 4-167-391-01 | PLATE, CHUCKING | |
| 157 | 3-931-379-31 | RUBBER, VIBRATION PROOF (GREEN) | | 166 | 3-258-284-01 | SHEET (CHUCK) | |
| △ 158 | A-1780-028-A | OPTICAL PICK-UP (DA11MMVGP) | | 167 | 3-253-143-01 | SCREW (B2.6), (+) P TAPPING | |
| 159 | 3-252-827-01 | SCREW (B2.6), (+) BV TAPPING | | S801 | 1-692-960-11 | SWITCH, PUSH (1 KEY) (PUSH OPEN/CLOSE ▲) | |

6-5. CABINET (REAR) SECTION



| Ref. No. | Part No. | Description | Remark |
|----------|--------------|----------------------------------|--------|
| 201 | 4-167-383-11 | CABINET (REAR) | |
| 202 | 4-167-417-01 | FOOT (FRONT), RUBBER | |
| 203 | 3-252-540-01 | SPRING (+-), BATTERY | |
| 204 | 4-173-526-01 | TERMINAL (A (+,-)), BATTERY | |
| 205 | 4-167-412-01 | TERMINAL (-), BATTERY | |
| 206 | 4-173-527-01 | TERMINAL (B (+,-)), BATTERY | |
| 207 | 3-252-827-01 | SCREW (B2.6), (+) BV TAPPING | |
| 208 | A-1761-363-A | POWER BOARD, COMPLETE | |
| 209 | 3-831-441-11 | CUSHION (B) | |
| 210 | A-1769-981-A | MAIN BOARD, COMPLETE (SP) | |
| 210 | A-1770-002-A | MAIN BOARD, COMPLETE (AUS,TH,TW) | |
| 210 | A-1770-009-A | MAIN BOARD, COMPLETE (KR) | |
| 211 | 4-167-387-01 | HOLDER (LCD1026) | |

| Ref. No. | Part No. | Description | Remark |
|----------|--------------|-------------------------------------|--------|
| 212 | 3-254-070-01 | SCREW | |
| 213 | 3-254-151-01 | SCREW (B2.6), (+) P TAPPING | |
| 214 | 4-167-413-01 | TERMINAL, ANTENNA | |
| 215 | 3-252-833-01 | SCREW (M3), (+) P | |
| 216 | 4-167-411-01 | TERMINAL (+), BATTERY | |
| ANT1 | 1-754-691-11 | ANTENNA, TELESCOPIC (FM) | |
| D401 | 6-503-151-01 | LED L-3A7HD-16LSF42.5-01 (OPR/BATT) | |
| △ F901 | 1-533-468-12 | FUSE, GLASS (DIA. 5) (T2AL/250V) | |
| △ F902 | 1-533-468-12 | FUSE, GLASS (DIA. 5) (T2AL/250V) | |
| LCD401 | 1-811-085-11 | DISPLAY PANEL, LIQUID CRYSTAL | |
| △ T901 | 1-445-818-11 | TRANSFORMER, POWER (TW) | |
| △ T901 | 1-445-820-11 | TRANSFORMER, POWER (EXCEPT TW) | |

SECTION 7 ELECTRICAL PARTS LIST

JACK
KEY
MAIN

Note:

- Due to standardization, replacements in the parts list may be different from the parts specified in the diagrams or the components used on the set.
- RESISTORS
All resistors are in ohms.
METAL: Metal-film resistor.
METAL OXIDE: Metal oxide-film resistor.
F: nonflammable
- CAPACITORS
uF: μ F
- COILS
uH: μ H

- SEMICONDUCTORS
In each case, μ : for example:
uA. . . : μ A. . . , uPA. . . , μ PA. . . ,
uPB. . . : μ PB. . . , uPC. . . , μ PC. . . ,
uPD. . . : μ PD. . .
- Abbreviation
AUS : Australian model
KR : Korean model
SP : Singapore model
TH : Thai model
TW : Taiwan model

When indicating parts by reference number, please include the board name.

The components identified by mark \triangle or dotted line with mark \triangle are critical for safety.
Replace only with part number specified.

| Ref. No. | Part No. | Description | Remark | Ref. No. | Part No. | Description | Remark |
|----------|--------------|--------------------------------|--------|--------------|----------------------------------|---|--------|
| | A-1760-723-A | JACK BOARD, COMPLETE ***** | | S410 | 1-786-050-21 | SWITCH, KEYBOARD (MODE) | |
| | | < CAPACITOR > | | S411 | 1-786-050-21 | SWITCH, KEYBOARD (●DISPLAY/ENTER ■ MEMORY) | |
| C132 | 1-162-927-11 | CERAMIC CHIP 100PF 5% | 50V | S412 | 1-786-050-21 | SWITCH, KEYBOARD (AUDIO IN) | |
| C133 | 1-162-964-11 | CERAMIC CHIP 0.001uF 10% | 50V | S413 | 1-786-050-21 | SWITCH, KEYBOARD (RADIO BAND/AUTO PRESET) | |
| C232 | 1-162-927-11 | CERAMIC CHIP 100PF 5% | 50V | S414 | 1-786-050-21 | SWITCH, KEYBOARD (CD) | |
| C233 | 1-162-964-11 | CERAMIC CHIP 0.001uF 10% | 50V | S415 | 1-786-050-21 | SWITCH, KEYBOARD (TAPE) | |
| | | < FERRITE BEAD > | | S416 | 1-786-050-21 | SWITCH, KEYBOARD (▶▶) | |
| | | | | ***** | | | |
| FB115 | 1-400-981-21 | INDUCTOR (EMI FERRITE) | | A-1769-981-A | MAIN BOARD, COMPLETE (SP) | | |
| FB215 | 1-400-981-21 | INDUCTOR (EMI FERRITE) | | A-1770-002-A | MAIN BOARD, COMPLETE (AUS,TH,TW) | | |
| FB315 | 1-400-981-21 | INDUCTOR (EMI FERRITE) | | A-1770-009-A | MAIN BOARD, COMPLETE (KR) | | |
| | | < JACK > | | ***** | | | |
| J302 | 1-566-822-51 | JACK (AUDIO IN) | | 3-254-070-01 | SCREW | | |
| ***** | | | | 4-167-387-01 | HOLDER (LCD1026) | | |
| | | | | | | < CAPACITOR > | |
| | A-1760-722-A | KEY BOARD, COMPLETE ***** | | C1 | 1-162-923-11 | CERAMIC CHIP 47PF 5% | 50V |
| | | < RESISTOR > | | C2 | 1-162-923-11 | CERAMIC CHIP 47PF 5% | 50V |
| R401 | 1-216-819-11 | METAL CHIP 680 5% | 1/10W | C3 | 1-162-919-11 | CERAMIC CHIP 22PF 5% | 50V |
| R403 | 1-216-821-11 | METAL CHIP 1K 5% | 1/10W | C4 | 1-162-919-11 | CERAMIC CHIP 22PF 5% | 50V |
| R404 | 1-216-821-11 | METAL CHIP 1K 5% | 1/10W | C5 | 1-162-923-11 | CERAMIC CHIP 47PF 5% | 50V |
| R405 | 1-216-825-11 | METAL CHIP 2.2K 5% | 1/10W | C7 | 1-125-891-11 | CERAMIC CHIP 0.47uF 10% | 10V |
| R406 | 1-216-827-11 | METAL CHIP 3.3K 5% | 1/10W | C8 | 1-162-964-11 | CERAMIC CHIP 0.001uF 10% | 50V |
| R408 | 1-218-867-11 | METAL CHIP 6.8K 0.5% | 1/10W | C9 | 1-162-964-11 | CERAMIC CHIP 0.001uF 10% | 50V |
| R411 | 1-216-835-11 | METAL CHIP 15K 5% | 1/10W | C10 | 1-162-923-11 | CERAMIC CHIP 47PF 5% | 50V |
| R413 | 1-218-867-11 | METAL CHIP 6.8K 0.5% | 1/10W | C11 | 1-162-923-11 | CERAMIC CHIP 47PF 5% | 50V |
| R415 | 1-216-827-11 | METAL CHIP 3.3K 5% | 1/10W | C13 | 1-162-923-11 | CERAMIC CHIP 47PF 5% | 50V |
| R416 | 1-216-825-11 | METAL CHIP 2.2K 5% | 1/10W | C14 | 1-162-964-11 | CERAMIC CHIP 0.001uF 10% | 50V |
| R417 | 1-216-821-11 | METAL CHIP 1K 5% | 1/10W | C15 | 1-107-826-11 | CERAMIC CHIP 0.1uF 10% | 16V |
| R418 | 1-216-821-11 | METAL CHIP 1K 5% | 1/10W | C16 | 1-164-227-11 | CERAMIC CHIP 0.022uF 10% | 25V |
| R419 | 1-216-819-11 | METAL CHIP 680 5% | 1/10W | C17 | 1-125-837-91 | CERAMIC CHIP 1uF 10% | 6.3V |
| | | < SWITCH > | | C18 | 1-126-947-11 | ELECT 47uF 20% | 35V |
| S401 | 1-786-050-21 | SWITCH, KEYBOARD (OPERATE) | | C21 | 1-162-966-11 | CERAMIC CHIP 0.0022uF 10% | 50V |
| S402 | 1-786-050-21 | SWITCH, KEYBOARD (■) | | C22 | 1-162-966-11 | CERAMIC CHIP 0.0022uF 10% | 50V |
| S403 | 1-786-050-21 | SWITCH, KEYBOARD (◀◀/PRESET -) | | C24 | 1-162-919-11 | CERAMIC CHIP 22PF 5% | 50V |
| S404 | 1-786-050-21 | SWITCH, KEYBOARD (▶▶/PRESET +) | | C25 | 1-162-919-11 | CERAMIC CHIP 22PF 5% | 50V |
| S405 | 1-786-050-21 | SWITCH, KEYBOARD (TUNE -) | | C101 | 1-162-965-11 | CERAMIC CHIP 0.0015uF 10% | 50V |
| S406 | 1-786-050-21 | SWITCH, KEYBOARD (TUNE +) | | C102 | 1-104-658-91 | ELECT 100uF 20% | 10V |
| S407 | 1-786-050-21 | SWITCH, KEYBOARD (VOLUME -) | | C103 | 1-165-176-11 | CERAMIC CHIP 0.047uF 10% | 16V |
| S408 | 1-786-050-21 | SWITCH, KEYBOARD (VOLUME +) | | C104 | 1-162-966-11 | CERAMIC CHIP 0.0022uF 10% | 50V |
| S409 | 1-786-050-21 | SWITCH, KEYBOARD (MEGA BASS) | | C105 | 1-162-923-11 | CERAMIC CHIP 47PF 5% | 50V |
| | | | | C120 | 1-126-960-11 | ELECT 1uF 20% | 50V |
| | | | | C121 | 1-126-960-11 | ELECT 1uF 20% | 50V |

MAIN

| Ref. No. | Part No. | Description | | | | Remark | Ref. No. | Part No. | Description | | | | Remark |
|----------|--------------|--------------|----------|-----|-----|--------|--------------|--------------|-------------|-------|------|--|--------|
| C122 | 1-162-966-11 | CERAMIC CHIP | 0.0022uF | 10% | 50V | C312 | 1-162-964-11 | CERAMIC CHIP | 0.001uF | 10% | 50V | | |
| C124 | 1-126-960-11 | ELECT | 1uF | 20% | 50V | C320 | 1-162-968-11 | CERAMIC CHIP | 0.0047uF | 10% | 50V | | |
| C125 | 1-126-960-11 | ELECT | 1uF | 20% | 50V | C321 | 1-104-658-91 | ELECT | 100uF | 20% | 10V | | |
| C126 | 1-126-960-11 | ELECT | 1uF | 20% | 50V | C322 | 1-162-923-11 | CERAMIC CHIP | 47PF | 5% | 50V | | |
| C127 | 1-126-960-11 | ELECT | 1uF | 20% | 50V | C323 | 1-162-923-11 | CERAMIC CHIP | 47PF | 5% | 50V | | |
| C128 | 1-126-960-11 | ELECT | 1uF | 20% | 50V | C324 | 1-126-947-11 | ELECT | 47uF | 20% | 35V | | |
| C129 | 1-162-964-11 | CERAMIC CHIP | 0.001uF | 10% | 50V | C325 | 1-107-826-11 | CERAMIC CHIP | 0.1uF | 10% | 16V | | |
| C130 | 1-115-416-11 | CERAMIC CHIP | 0.001uF | 5% | 25V | C326 | 1-126-934-11 | ELECT | 220uF | 20% | 16V | | |
| C131 | 1-162-964-11 | CERAMIC CHIP | 0.001uF | 10% | 50V | C327 | 1-162-964-11 | CERAMIC CHIP | 0.001uF | 10% | 50V | | |
| C134 | 1-162-970-11 | CERAMIC CHIP | 0.01uF | 10% | 25V | C328 | 1-107-826-11 | CERAMIC CHIP | 0.1uF | 10% | 16V | | |
| C135 | 1-107-826-11 | CERAMIC CHIP | 0.1uF | 10% | 16V | C329 | 1-126-935-11 | ELECT | 470uF | 20% | 16V | | |
| C136 | 1-162-970-11 | CERAMIC CHIP | 0.01uF | 10% | 25V | C701 | 1-125-837-91 | CERAMIC CHIP | 1uF | 10% | 6.3V | | |
| C137 | 1-107-826-11 | CERAMIC CHIP | 0.1uF | 10% | 16V | C702 | 1-107-826-11 | CERAMIC CHIP | 0.1uF | 10% | 16V | | |
| C138 | 1-126-960-11 | ELECT | 1uF | 20% | 50V | C703 | 1-126-923-91 | ELECT | 220uF | 20% | 10V | | |
| C139 | 1-126-957-11 | ELECT | 0.22uF | 20% | 50V | C704 | 1-162-970-11 | CERAMIC CHIP | 0.01uF | 10% | 25V | | |
| C140 | 1-162-964-11 | CERAMIC CHIP | 0.001uF | 10% | 50V | C801 | 1-165-176-11 | CERAMIC CHIP | 0.047uF | 10% | 16V | | |
| C141 | 1-126-947-11 | ELECT | 47uF | 20% | 35V | C802 | 1-165-176-11 | CERAMIC CHIP | 0.047uF | 10% | 16V | | |
| C142 | 1-127-715-11 | CERAMIC CHIP | 0.22uF | 10% | 16V | C803 | 1-126-947-11 | ELECT | 47uF | 20% | 35V | | |
| C143 | 1-162-964-11 | CERAMIC CHIP | 0.001uF | 10% | 50V | C804 | 1-126-947-11 | ELECT | 47uF | 20% | 35V | | |
| C144 | 1-126-925-91 | ELECT | 470uF | 20% | 10V | C805 | 1-107-826-11 | CERAMIC CHIP | 0.1uF | 10% | 16V | | |
| C145 | 1-104-658-91 | ELECT | 100uF | 20% | 10V | C806 | 1-107-826-11 | CERAMIC CHIP | 0.1uF | 10% | 16V | | |
| C201 | 1-162-965-11 | CERAMIC CHIP | 0.0015uF | 10% | 50V | C810 | 1-107-826-11 | CERAMIC CHIP | 0.1uF | 10% | 16V | | |
| C202 | 1-104-658-91 | ELECT | 100uF | 20% | 10V | C811 | 1-162-915-11 | CERAMIC CHIP | 10PF | 0.5PF | 50V | | |
| C203 | 1-165-176-11 | CERAMIC CHIP | 0.047uF | 10% | 16V | C812 | 1-162-915-11 | CERAMIC CHIP | 10PF | 0.5PF | 50V | | |
| C204 | 1-162-966-11 | CERAMIC CHIP | 0.0022uF | 10% | 50V | C813 | 1-107-826-11 | CERAMIC CHIP | 0.1uF | 10% | 16V | | |
| C205 | 1-162-923-11 | CERAMIC CHIP | 47PF | 5% | 50V | C814 | 1-104-658-91 | ELECT | 100uF | 20% | 10V | | |
| C220 | 1-126-960-11 | ELECT | 1uF | 20% | 50V | C815 | 1-107-826-11 | CERAMIC CHIP | 0.1uF | 10% | 16V | | |
| C221 | 1-126-960-11 | ELECT | 1uF | 20% | 50V | C816 | 1-107-826-11 | CERAMIC CHIP | 0.1uF | 10% | 16V | | |
| C223 | 1-162-966-11 | CERAMIC CHIP | 0.0022uF | 10% | 50V | C817 | 1-162-966-11 | CERAMIC CHIP | 0.0022uF | 10% | 50V | | |
| C224 | 1-126-960-11 | ELECT | 1uF | 20% | 50V | C818 | 1-107-826-11 | CERAMIC CHIP | 0.1uF | 10% | 16V | | |
| C225 | 1-126-960-11 | ELECT | 1uF | 20% | 50V | C819 | 1-104-662-91 | ELECT | 22uF | 20% | 25V | | |
| C226 | 1-126-960-11 | ELECT | 1uF | 20% | 50V | C820 | 1-107-826-11 | CERAMIC CHIP | 0.1uF | 10% | 16V | | |
| C227 | 1-126-960-11 | ELECT | 1uF | 20% | 50V | C821 | 1-126-963-11 | ELECT | 4.7uF | 20% | 50V | | |
| C228 | 1-126-960-11 | ELECT | 1uF | 20% | 50V | C822 | 1-107-826-11 | CERAMIC CHIP | 0.1uF | 10% | 16V | | |
| C229 | 1-162-964-11 | CERAMIC CHIP | 0.001uF | 10% | 50V | C823 | 1-107-826-11 | CERAMIC CHIP | 0.1uF | 10% | 16V | | |
| C230 | 1-115-416-11 | CERAMIC CHIP | 0.001uF | 5% | 25V | C824 | 1-162-962-11 | CERAMIC CHIP | 470PF | 10% | 50V | | |
| C231 | 1-162-964-11 | CERAMIC CHIP | 0.001uF | 10% | 50V | C825 | 1-162-923-11 | CERAMIC CHIP | 47PF | 5% | 50V | | |
| C234 | 1-162-970-11 | CERAMIC CHIP | 0.01uF | 10% | 25V | C827 | 1-162-927-11 | CERAMIC CHIP | 100PF | 5% | 50V | | |
| C235 | 1-107-826-11 | CERAMIC CHIP | 0.1uF | 10% | 16V | C828 | 1-162-927-11 | CERAMIC CHIP | 100PF | 5% | 50V | | |
| C236 | 1-162-970-11 | CERAMIC CHIP | 0.01uF | 10% | 25V | C829 | 1-107-826-11 | CERAMIC CHIP | 0.1uF | 10% | 16V | | |
| C237 | 1-107-826-11 | CERAMIC CHIP | 0.1uF | 10% | 16V | C830 | 1-162-962-11 | CERAMIC CHIP | 470PF | 10% | 50V | | |
| C238 | 1-126-960-11 | ELECT | 1uF | 20% | 50V | C831 | 1-162-962-11 | CERAMIC CHIP | 470PF | 10% | 50V | | |
| C239 | 1-126-957-11 | ELECT | 0.22uF | 20% | 50V | C832 | 1-162-962-11 | CERAMIC CHIP | 470PF | 10% | 50V | | |
| C240 | 1-126-947-11 | ELECT | 47uF | 20% | 35V | C834 | 1-104-658-91 | ELECT | 100uF | 20% | 10V | | |
| C241 | 1-104-658-91 | ELECT | 100uF | 20% | 10V | C835 | 1-107-826-11 | CERAMIC CHIP | 0.1uF | 10% | 16V | | |
| C242 | 1-127-715-11 | CERAMIC CHIP | 0.22uF | 10% | 16V | C851 | 1-107-826-11 | CERAMIC CHIP | 0.1uF | 10% | 16V | | |
| C243 | 1-162-964-11 | CERAMIC CHIP | 0.001uF | 10% | 50V | C852 | 1-107-826-11 | CERAMIC CHIP | 0.1uF | 10% | 16V | | |
| C244 | 1-126-925-91 | ELECT | 470uF | 20% | 10V | C853 | 1-107-826-11 | CERAMIC CHIP | 0.1uF | 10% | 16V | | |
| C245 | 1-162-964-11 | CERAMIC CHIP | 0.001uF | 10% | 50V | C854 | 1-162-923-11 | CERAMIC CHIP | 47PF | 5% | 50V | | |
| C301 | 1-104-658-91 | ELECT | 100uF | 20% | 10V | C855 | 1-162-923-11 | CERAMIC CHIP | 47PF | 5% | 50V | | |
| C302 | 1-104-658-91 | ELECT | 100uF | 20% | 10V | C856 | 1-164-245-11 | CERAMIC CHIP | 0.015uF | 10% | 25V | | |
| C303 | 1-104-658-91 | ELECT | 100uF | 20% | 10V | C858 | 1-162-970-11 | CERAMIC CHIP | 0.01uF | 10% | 25V | | |
| C304 | 1-126-947-11 | ELECT | 47uF | 20% | 35V | C859 | 1-162-970-11 | CERAMIC CHIP | 0.01uF | 10% | 25V | | |
| C305 | 1-162-962-11 | CERAMIC CHIP | 470PF | 10% | 50V | C861 | 1-162-970-11 | CERAMIC CHIP | 0.01uF | 10% | 25V | | |
| C306 | 1-162-970-11 | CERAMIC CHIP | 0.01uF | 10% | 25V | C862 | 1-107-826-11 | CERAMIC CHIP | 0.1uF | 10% | 16V | | |
| C307 | 1-162-964-11 | CERAMIC CHIP | 0.001uF | 10% | 50V | C863 | 1-126-947-11 | ELECT | 47uF | 20% | 35V | | |
| C308 | 1-162-927-11 | CERAMIC CHIP | 100PF | 5% | 50V | C864 | 1-162-968-11 | CERAMIC CHIP | 0.0047uF | 10% | 50V | | |
| C309 | 1-162-964-11 | CERAMIC CHIP | 0.001uF | 10% | 50V | C865 | 1-107-826-11 | CERAMIC CHIP | 0.1uF | 10% | 16V | | |
| C310 | 1-162-960-11 | CERAMIC CHIP | 220PF | 10% | 50V | C866 | 1-107-826-11 | CERAMIC CHIP | 0.1uF | 10% | 16V | | |
| C311 | 1-126-947-11 | ELECT | 47uF | 20% | 35V | C867 | 1-162-923-11 | CERAMIC CHIP | 47PF | 5% | 50V | | |

| Ref. No. | Part No. | Description | Remark | Ref. No. | Part No. | Description | Remark |
|----------|--------------|-------------------------------------|------------------|----------|--------------|-------------------------------|--------|
| C876 | 1-107-826-11 | CERAMIC CHIP | 0.1uF 10% 16V | | | < FERRITE BEAD > | |
| C877 | 1-104-658-91 | ELECT | 100uF 20% 10V | | | | |
| C878 | 1-165-176-11 | CERAMIC CHIP | 0.047uF 10% 16V | FB201 | 1-216-864-11 | SHORT CHIP 0 (EXCEPT KR) | |
| C879 | 1-165-176-11 | CERAMIC CHIP | 0.047uF 10% 16V | FB201 | 1-400-979-21 | INDUCTOR (EMI FERRITE) (KR) | |
| C880 | 1-104-658-91 | ELECT | 100uF 20% 10V | FB202 | 1-216-864-11 | SHORT CHIP 0 (EXCEPT KR) | |
| | | | | FB202 | 1-400-979-21 | INDUCTOR (EMI FERRITE) (KR) | |
| C881 | 1-165-176-11 | CERAMIC CHIP | 0.047uF 10% 16V | FB203 | 1-216-864-11 | SHORT CHIP 0 (EXCEPT KR) | |
| C882 | 1-162-970-11 | CERAMIC CHIP | 0.01uF 10% 25V | | | | |
| C883 | 1-162-962-11 | CERAMIC CHIP | 470PF 10% 50V | FB203 | 1-400-979-21 | INDUCTOR (EMI FERRITE) (KR) | |
| C884 | 1-162-962-11 | CERAMIC CHIP | 470PF 10% 50V | FB204 | 1-216-864-11 | SHORT CHIP 0 (EXCEPT KR) | |
| C885 | 1-162-970-11 | CERAMIC CHIP | 0.01uF 10% 25V | FB204 | 1-400-979-21 | INDUCTOR (EMI FERRITE) (KR) | |
| | | | | FB205 | 1-216-864-11 | SHORT CHIP 0 (EXCEPT KR) | |
| C886 | 1-162-970-11 | CERAMIC CHIP | 0.01uF 10% 25V | FB205 | 1-400-979-21 | INDUCTOR (EMI FERRITE) (KR) | |
| C887 | 1-162-970-11 | CERAMIC CHIP | 0.01uF 10% 25V | | | | |
| C888 | 1-104-658-91 | ELECT | 100uF 20% 10V | FB206 | 1-216-864-11 | SHORT CHIP 0 (EXCEPT KR) | |
| C889 | 1-162-970-11 | CERAMIC CHIP | 0.01uF 10% 25V | FB206 | 1-400-979-21 | INDUCTOR (EMI FERRITE) (KR) | |
| C890 | 1-104-662-91 | ELECT | 22uF 20% 25V | FB207 | 1-216-864-11 | SHORT CHIP 0 (EXCEPT KR) | |
| | | | | FB207 | 1-400-979-21 | INDUCTOR (EMI FERRITE) (KR) | |
| C891 | 1-126-947-11 | ELECT | 47uF 20% 35V | FB801 | 1-400-979-21 | INDUCTOR (EMI FERRITE) | |
| C892 | 1-107-826-11 | CERAMIC CHIP | 0.1uF 10% 16V | | | | |
| C893 | 1-104-658-91 | ELECT | 100uF 20% 10V | FB802 | 1-400-981-21 | INDUCTOR (EMI FERRITE) | |
| C894 | 1-107-826-11 | CERAMIC CHIP | 0.1uF 10% 16V | FB803 | 1-400-979-21 | INDUCTOR (EMI FERRITE) | |
| C895 | 1-162-970-11 | CERAMIC CHIP | 0.01uF 10% 25V | | | < IC > | |
| C896 | 1-126-933-11 | ELECT | 100uF 20% 16V | IC1 | 6-715-094-01 | IC SI4730-C40 | |
| C897 | 1-162-970-11 | CERAMIC CHIP | 0.01uF 10% 25V | IC301 | 6-710-092-01 | IC TA2068NG(5,HZ) | |
| C898 | 1-126-933-11 | ELECT | 100uF 20% 16V | IC302 | 6-710-261-01 | IC UTC8227S | |
| C899 | 1-164-156-11 | CERAMIC CHIP | 0.1uF 25V | IC303 | 6-713-384-01 | IC BD3491FS-SE2 | |
| C950 | 1-126-937-11 | ELECT | 4700uF 20% 16V | IC701 | 6-710-637-01 | IC BA5826HFP-E2 | |
| C951 | 1-162-968-11 | CERAMIC CHIP | 0.0047uF 10% 50V | IC801 | 6-715-264-11 | IC TC94B10FG-919 | |
| C952 | 1-104-662-91 | ELECT | 22uF 20% 25V | IC802 | 6-715-093-01 | IC XC6216D332JR | |
| C953 | 1-126-925-91 | ELECT | 470uF 20% 10V | IC803 | 6-705-310-01 | IC S-T111B15MC-OGATFG | |
| C954 | 1-162-970-11 | CERAMIC CHIP | 0.01uF 10% 25V | IC804 | 6-705-310-01 | IC S-T111B15MC-OGATFG | |
| C955 | 1-162-970-11 | CERAMIC CHIP | 0.01uF 10% 25V | IC805 | 6-703-740-01 | IC S-24CS02AFT-TB-G | |
| C956 | 1-162-970-11 | CERAMIC CHIP | 0.01uF 10% 25V | | | < JACK > | |
| C957 | 1-126-923-91 | ELECT | 220uF 20% 10V | | | | |
| C958 | 1-107-826-11 | CERAMIC CHIP | 0.1uF 10% 16V | J301 | 1-815-325-11 | JACK (♁) | |
| | | < CONNECTOR > | | | | < JUMPER RESISTOR > | |
| CN1 | 1-815-443-11 | PIN, CONNECTOR (PWB) 2P | | JC301 | 1-216-864-11 | SHORT CHIP 0 | |
| CN301 | 1-815-445-11 | PIN, CONNECTOR (PWB) 4P | | JC302 | 1-216-864-11 | SHORT CHIP 0 | |
| CN310 | 1-815-551-11 | PIN, CONNECTOR (PWB) 3P | | JC303 | 1-216-864-11 | SHORT CHIP 0 | |
| CN316 | 1-815-445-11 | PIN, CONNECTOR (PWB) 4P | | JC802 | 1-216-864-11 | SHORT CHIP 0 | |
| CN801 | 1-784-766-11 | CONNECTOR, FFC 5P | | | | < COIL > | |
| CN807 | 1-815-445-11 | PIN, CONNECTOR (PWB) 4P | | L1 | 1-457-903-11 | COIL, BAR ANTENNA (AM) | |
| CN808 | 1-784-767-11 | CONNECTOR, FFC 6P | | L2 | 1-410-517-11 | INDUCTOR 47uH | |
| CN810 | 1-770-646-11 | CONNECTOR, FFC/FPC 16P | | L3 | 1-216-864-11 | SHORT CHIP 0 | |
| CN901 | 1-815-444-11 | PIN, CONNECTOR (PWB) 3P | | L4 | 1-412-006-31 | INDUCTOR 10uH | |
| | | < DIODE > | | L5 | 1-410-750-41 | INDUCTOR 0.47uH | |
| D1 | 8-719-062-51 | DIODE 1PS226-115 | | L6 | 1-412-975-31 | INDUCTOR 0.47uH | |
| D2 | 8-719-991-33 | DIODE 1SS133T-77 | | L802 | 1-410-509-11 | INDUCTOR 10uH | |
| D3 | 8-719-991-33 | DIODE 1SS133T-77 | | L803 | 1-410-513-11 | INDUCTOR 22uH | |
| D401 | 6-503-151-01 | LED L-3A7HD-16LSF42.5-01 (OPR/BATT) | | L804 | 1-410-750-41 | INDUCTOR 0.47uH | |
| D801 | 6-501-817-01 | DIODE MA2J1110GLSO | | L805 | 1-410-517-11 | INDUCTOR 47uH | |
| D806 | 6-501-817-01 | DIODE MA2J1110GLSO | | | | < LIQUID CRYSTAL DISPLAY > | |
| D807 | 6-501-817-01 | DIODE MA2J1110GLSO | | LCD401 | 1-811-085-11 | DISPLAY PANEL, LIQUID CRYSTAL | |
| D808 | 6-500-335-01 | DIODE MC2836-T112-1 | | | | < TRANSISTOR > | |
| D951 | 6-501-817-01 | DIODE MA2J1110GLSO | | Q102 | 8-729-620-07 | TRANSISTOR 2SC3052EF-T1-LEF | |
| D952 | 6-500-334-01 | DIODE MC2836-T112-1 | | Q202 | 8-729-620-07 | TRANSISTOR 2SC3052EF-T1-LEF | |
| D953 | 8-719-978-33 | DIODE DTZ-TT11-6.8B | | Q301 | 8-729-901-81 | TRANSISTOR 2SC2412K-T-146-R | |
| D954 | 6-501-719-01 | DIODE MAZ8039GHLS0 | | Q302 | 8-729-027-46 | TRANSISTOR DTC114YKA-T146 | |

MAIN

| Ref. No. | Part No. | Description | Remark | Ref. No. | Part No. | Description | Remark |
|--------------|--------------|-----------------------------|------------|----------|--------------|-----------------|------------|
| Q303 | 8-729-027-46 | TRANSISTOR DTC114YKA-T146 | | R240 | 1-216-811-11 | METAL CHIP 150 | 5% 1/10W |
| Q701 | 6-551-696-01 | TRANSISTOR ISA1235AC1TP-1EF | | R241 | 1-216-789-11 | METAL CHIP 2.2 | 5% 1/10W |
| Q804 | 6-552-482-01 | FET INJ0203AC1-T112-1 | | R242 | 1-216-811-11 | METAL CHIP 150 | 5% 1/10W |
| Q805 | 8-729-027-46 | TRANSISTOR DTC114YKA-T146 | | R245 | 1-216-833-11 | METAL CHIP 10K | 5% 1/10W |
| Q808 | 8-729-620-07 | TRANSISTOR 2SC3052EF-T1-LEF | | R301 | 1-216-857-11 | METAL CHIP 1M | 5% 1/10W |
| Q951 | 6-551-444-01 | TRANSISTOR RT1N436C-TP-1 | | R302 | 1-216-829-11 | METAL CHIP 4.7K | 5% 1/10W |
| Q952 | 8-729-040-76 | TRANSISTOR KTA1273-Y-AT | | R304 | 1-216-821-11 | METAL CHIP 1K | 5% 1/10W |
| Q953 | 8-729-620-07 | TRANSISTOR 2SC3052EF-T1-LEF | | R305 | 1-216-817-11 | METAL CHIP 470 | 5% 1/10W |
| Q954 | 8-729-018-99 | TRANSISTOR 2SD2394-F | | R306 | 1-218-867-11 | METAL CHIP 6.8K | 0.5% 1/10W |
| Q955 | 8-729-036-86 | TRANSISTOR KTC3203Y-AT | | R307 | 1-216-797-11 | METAL CHIP 10 | 5% 1/10W |
| < RESISTOR > | | | | R308 | 1-216-837-11 | METAL CHIP 22K | 5% 1/10W |
| R1 | 1-216-797-11 | METAL CHIP 10 | 5% 1/10W | R309 | 1-216-805-11 | METAL CHIP 47 | 5% 1/10W |
| R3 | 1-216-821-11 | METAL CHIP 1K | 5% 1/10W | R310 | 1-216-857-11 | METAL CHIP 1M | 5% 1/10W |
| R4 | 1-216-821-11 | METAL CHIP 1K | 5% 1/10W | R311 | 1-216-857-11 | METAL CHIP 1M | 5% 1/10W |
| R6 | 1-216-821-11 | METAL CHIP 1K | 5% 1/10W | R314 | 1-216-817-11 | METAL CHIP 470 | 5% 1/10W |
| R7 | 1-216-821-11 | METAL CHIP 1K | 5% 1/10W | R315 | 1-216-817-11 | METAL CHIP 470 | 5% 1/10W |
| R8 | 1-216-821-11 | METAL CHIP 1K | 5% 1/10W | R320 | 1-216-837-11 | METAL CHIP 22K | 5% 1/10W |
| R10 | 1-216-821-11 | METAL CHIP 1K | 5% 1/10W | R321 | 1-216-809-11 | METAL CHIP 100 | 5% 1/10W |
| R11 | 1-216-864-11 | SHORT CHIP 0 | | R324 | 1-216-809-11 | METAL CHIP 100 | 5% 1/10W |
| R21 | 1-216-864-11 | SHORT CHIP 0 | | R325 | 1-216-817-11 | METAL CHIP 470 | 5% 1/10W |
| R102 | 1-216-807-11 | METAL CHIP 68 | 5% 1/10W | R326 | 1-216-817-11 | METAL CHIP 470 | 5% 1/10W |
| R103 | 1-216-843-11 | METAL CHIP 68K | 5% 1/10W | R350 | 1-216-821-11 | METAL CHIP 1K | 5% 1/10W |
| R104 | 1-216-827-11 | METAL CHIP 3.3K | 5% 1/10W | R410 | 1-216-833-11 | METAL CHIP 10K | 5% 1/10W |
| R107 | 1-216-835-11 | METAL CHIP 15K | 5% 1/10W | R701 | 1-216-837-11 | METAL CHIP 22K | 5% 1/10W |
| R110 | 1-216-809-11 | METAL CHIP 100 | 5% 1/10W | R702 | 1-216-837-11 | METAL CHIP 22K | 5% 1/10W |
| R123 | 1-216-837-11 | METAL CHIP 22K | 5% 1/10W | R703 | 1-216-845-11 | METAL CHIP 100K | 5% 1/10W |
| R124 | 1-216-825-11 | METAL CHIP 2.2K | 5% 1/10W | R704 | 1-216-829-11 | METAL CHIP 4.7K | 5% 1/10W |
| R125 | 1-216-833-11 | METAL CHIP 10K | 5% 1/10W | R705 | 1-216-829-11 | METAL CHIP 4.7K | 5% 1/10W |
| R126 | 1-218-867-11 | METAL CHIP 6.8K | 0.5% 1/10W | R706 | 1-216-864-11 | SHORT CHIP 0 | |
| R128 | 1-216-833-11 | METAL CHIP 10K | 5% 1/10W | R707 | 1-216-825-11 | METAL CHIP 2.2K | 5% 1/10W |
| R129 | 1-216-839-11 | METAL CHIP 33K | 5% 1/10W | R708 | 1-216-864-11 | SHORT CHIP 0 | |
| R130 | 1-216-828-11 | METAL CHIP 3.9K | 5% 1/10W | R713 | 1-216-837-11 | METAL CHIP 22K | 5% 1/10W |
| R132 | 1-216-836-11 | METAL CHIP 18K | 5% 1/10W | R714 | 1-216-864-11 | SHORT CHIP 0 | |
| R134 | 1-216-829-11 | METAL CHIP 4.7K | 5% 1/10W | R715 | 1-216-825-11 | METAL CHIP 2.2K | 5% 1/10W |
| R136 | 1-216-829-11 | METAL CHIP 4.7K | 5% 1/10W | R719 | 1-216-864-11 | SHORT CHIP 0 | |
| R137 | 1-216-821-11 | METAL CHIP 1K | 5% 1/10W | R720 | 1-216-864-11 | SHORT CHIP 0 | |
| R138 | 1-216-825-11 | METAL CHIP 2.2K | 5% 1/10W | R801 | 1-216-864-11 | SHORT CHIP 0 | |
| R139 | 1-216-821-11 | METAL CHIP 1K | 5% 1/10W | R802 | 1-216-864-11 | SHORT CHIP 0 | |
| R140 | 1-216-811-11 | METAL CHIP 150 | 5% 1/10W | R803 | 1-216-864-11 | SHORT CHIP 0 | |
| R141 | 1-216-789-11 | METAL CHIP 2.2 | 5% 1/10W | R804 | 1-216-864-11 | SHORT CHIP 0 | |
| R142 | 1-216-811-11 | METAL CHIP 150 | 5% 1/10W | R805 | 1-216-821-11 | METAL CHIP 1K | 5% 1/10W |
| R145 | 1-216-833-11 | METAL CHIP 10K | 5% 1/10W | R806 | 1-216-821-11 | METAL CHIP 1K | 5% 1/10W |
| R202 | 1-216-807-11 | METAL CHIP 68 | 5% 1/10W | R807 | 1-216-821-11 | METAL CHIP 1K | 5% 1/10W |
| R203 | 1-216-843-11 | METAL CHIP 68K | 5% 1/10W | R808 | 1-216-821-11 | METAL CHIP 1K | 5% 1/10W |
| R204 | 1-216-827-11 | METAL CHIP 3.3K | 5% 1/10W | R809 | 1-216-813-11 | METAL CHIP 220 | 5% 1/10W |
| R207 | 1-216-835-11 | METAL CHIP 15K | 5% 1/10W | R810 | 1-216-821-11 | METAL CHIP 1K | 5% 1/10W |
| R210 | 1-216-809-11 | METAL CHIP 100 | 5% 1/10W | R811 | 1-216-829-11 | METAL CHIP 4.7K | 5% 1/10W |
| R223 | 1-216-837-11 | METAL CHIP 22K | 5% 1/10W | R812 | 1-216-864-11 | SHORT CHIP 0 | |
| R224 | 1-216-825-11 | METAL CHIP 2.2K | 5% 1/10W | R813 | 1-216-864-11 | SHORT CHIP 0 | |
| R225 | 1-216-833-11 | METAL CHIP 10K | 5% 1/10W | R814 | 1-216-829-11 | METAL CHIP 4.7K | 5% 1/10W |
| R226 | 1-218-867-11 | METAL CHIP 6.8K | 0.5% 1/10W | R815 | 1-216-829-11 | METAL CHIP 4.7K | 5% 1/10W |
| R228 | 1-216-833-11 | METAL CHIP 10K | 5% 1/10W | R816 | 1-216-853-11 | METAL CHIP 470K | 5% 1/10W |
| R229 | 1-216-839-11 | METAL CHIP 33K | 5% 1/10W | R817 | 1-216-864-11 | SHORT CHIP 0 | |
| R230 | 1-216-828-11 | METAL CHIP 3.9K | 5% 1/10W | R818 | 1-216-829-11 | METAL CHIP 4.7K | 5% 1/10W |
| R232 | 1-216-836-11 | METAL CHIP 18K | 5% 1/10W | R819 | 1-216-829-11 | METAL CHIP 4.7K | 5% 1/10W |
| R234 | 1-216-829-11 | METAL CHIP 4.7K | 5% 1/10W | R820 | 1-216-821-11 | METAL CHIP 1K | 5% 1/10W |
| R236 | 1-216-829-11 | METAL CHIP 4.7K | 5% 1/10W | R821 | 1-216-817-11 | METAL CHIP 470 | 5% 1/10W |
| R237 | 1-216-821-11 | METAL CHIP 1K | 5% 1/10W | R822 | 1-216-817-11 | METAL CHIP 470 | 5% 1/10W |
| R238 | 1-216-825-11 | METAL CHIP 2.2K | 5% 1/10W | R823 | 1-216-817-11 | METAL CHIP 470 | 5% 1/10W |
| R239 | 1-216-821-11 | METAL CHIP 1K | 5% 1/10W | R824 | 1-216-817-11 | METAL CHIP 470 | 5% 1/10W |

| Ref. No. | Part No. | Description | Remark |
|----------|--------------|-----------------|----------|
| R825 | 1-216-821-11 | METAL CHIP 1K | 5% 1/10W |
| R826 | 1-216-817-11 | METAL CHIP 470 | 5% 1/10W |
| R827 | 1-216-821-11 | METAL CHIP 1K | 5% 1/10W |
| R828 | 1-216-817-11 | METAL CHIP 470 | 5% 1/10W |
| R829 | 1-216-821-11 | METAL CHIP 1K | 5% 1/10W |
| R830 | 1-216-821-11 | METAL CHIP 1K | 5% 1/10W |
| R831 | 1-216-817-11 | METAL CHIP 470 | 5% 1/10W |
| R833 | 1-216-829-11 | METAL CHIP 4.7K | 5% 1/10W |
| R834 | 1-216-833-11 | METAL CHIP 10K | 5% 1/10W |
| R835 | 1-216-833-11 | METAL CHIP 10K | 5% 1/10W |
| R836 | 1-216-833-11 | METAL CHIP 10K | 5% 1/10W |
| R837 | 1-216-833-11 | METAL CHIP 10K | 5% 1/10W |
| R838 | 1-216-833-11 | METAL CHIP 10K | 5% 1/10W |
| R839 | 1-216-833-11 | METAL CHIP 10K | 5% 1/10W |
| R840 | 1-216-833-11 | METAL CHIP 10K | 5% 1/10W |
| R841 | 1-216-833-11 | METAL CHIP 10K | 5% 1/10W |
| R842 | 1-216-833-11 | METAL CHIP 10K | 5% 1/10W |
| R843 | 1-216-833-11 | METAL CHIP 10K | 5% 1/10W |
| R844 | 1-216-833-11 | METAL CHIP 10K | 5% 1/10W |
| R845 | 1-216-833-11 | METAL CHIP 10K | 5% 1/10W |
| R846 | 1-216-833-11 | METAL CHIP 10K | 5% 1/10W |
| R847 | 1-216-833-11 | METAL CHIP 10K | 5% 1/10W |
| R848 | 1-216-833-11 | METAL CHIP 10K | 5% 1/10W |
| R849 | 1-216-833-11 | METAL CHIP 10K | 5% 1/10W |
| R850 | 1-216-821-11 | METAL CHIP 1K | 5% 1/10W |
| R851 | 1-216-829-11 | METAL CHIP 4.7K | 5% 1/10W |
| R852 | 1-216-821-11 | METAL CHIP 1K | 5% 1/10W |
| R853 | 1-216-851-11 | METAL CHIP 330K | 5% 1/10W |
| R854 | 1-216-833-11 | METAL CHIP 10K | 5% 1/10W |
| R855 | 1-216-841-11 | METAL CHIP 47K | 5% 1/10W |
| R856 | 1-216-835-11 | METAL CHIP 15K | 5% 1/10W |
| R857 | 1-216-839-11 | METAL CHIP 33K | 5% 1/10W |
| R858 | 1-216-825-11 | METAL CHIP 2.2K | 5% 1/10W |
| R859 | 1-216-825-11 | METAL CHIP 2.2K | 5% 1/10W |
| R860 | 1-216-825-11 | METAL CHIP 2.2K | 5% 1/10W |
| R861 | 1-216-825-11 | METAL CHIP 2.2K | 5% 1/10W |
| R862 | 1-216-825-11 | METAL CHIP 2.2K | 5% 1/10W |
| R863 | 1-216-825-11 | METAL CHIP 2.2K | 5% 1/10W |
| R864 | 1-216-864-11 | SHORT CHIP 0 | |
| R865 | 1-216-864-11 | SHORT CHIP 0 | |
| R866 | 1-216-797-11 | METAL CHIP 10 | 5% 1/10W |
| R867 | 1-216-864-11 | SHORT CHIP 0 | |
| R868 | 1-216-864-11 | SHORT CHIP 0 | |
| R869 | 1-216-817-11 | METAL CHIP 470 | 5% 1/10W |
| R870 | 1-216-818-11 | METAL CHIP 560 | 5% 1/10W |
| R872 | 1-216-823-11 | METAL CHIP 1.5K | 5% 1/10W |
| R873 | 1-216-813-11 | METAL CHIP 220 | 5% 1/10W |
| R874 | 1-216-829-11 | METAL CHIP 4.7K | 5% 1/10W |
| R875 | 1-216-829-11 | METAL CHIP 4.7K | 5% 1/10W |
| R876 | 1-216-841-11 | METAL CHIP 47K | 5% 1/10W |
| R877 | 1-216-825-11 | METAL CHIP 2.2K | 5% 1/10W |
| R878 | 1-216-833-11 | METAL CHIP 10K | 5% 1/10W |
| R879 | 1-216-845-11 | METAL CHIP 100K | 5% 1/10W |
| R880 | 1-216-853-11 | METAL CHIP 470K | 5% 1/10W |
| R881 | 1-216-850-11 | METAL CHIP 270K | 5% 1/10W |
| R883 | 1-216-845-11 | METAL CHIP 100K | 5% 1/10W |
| R884 | 1-216-857-11 | METAL CHIP 1M | 5% 1/10W |
| R885 | 1-216-845-11 | METAL CHIP 100K | 5% 1/10W |
| R886 | 1-216-841-11 | METAL CHIP 47K | 5% 1/10W |
| R887 | 1-216-825-11 | METAL CHIP 2.2K | 5% 1/10W |

| Ref. No. | Part No. | Description | Remark |
|-----------------|-----------------------|----------------------------------|--------------------------|
| R888 | 1-216-833-11 | METAL CHIP 10K | 5% 1/10W |
| R889 | 1-216-841-11 | METAL CHIP 47K | 5% 1/10W |
| R890 | 1-216-839-11 | METAL CHIP 33K | 5% 1/10W (SP) |
| R890 | 1-216-864-11 | SHORT CHIP 0 | (EXCEPT SP) |
| R891 | 1-216-835-11 | METAL CHIP 15K | 5% 1/10W (SP) |
| R892 | 1-216-849-11 | METAL CHIP 220K | 5% 1/10W |
| R950 | 1-216-825-11 | METAL CHIP 2.2K | 5% 1/10W |
| R951 | 1-216-825-11 | METAL CHIP 2.2K | 5% 1/10W |
| R952 | 1-216-825-11 | METAL CHIP 2.2K | 5% 1/10W |
| R953 | 1-216-825-11 | METAL CHIP 2.2K | 5% 1/10W |
| R954 | 1-216-825-11 | METAL CHIP 2.2K | 5% 1/10W |
| R955 | 1-216-825-11 | METAL CHIP 2.2K | 5% 1/10W |
| R956 | 1-216-833-11 | METAL CHIP 10K | 5% 1/10W |
| R957 | 1-216-833-11 | METAL CHIP 10K | 5% 1/10W |
| R958 | 1-216-821-11 | METAL CHIP 1K | 5% 1/10W |
| R959 | 1-216-821-11 | METAL CHIP 1K | 5% 1/10W |
| R960 | 1-216-821-11 | METAL CHIP 1K | 5% 1/10W |
| R961 | 1-216-821-11 | METAL CHIP 1K | 5% 1/10W |
| R962 | 1-216-817-11 | METAL CHIP 470 | 5% 1/10W |
| R963 | 1-216-833-11 | METAL CHIP 10K | 5% 1/10W |
| R964 | 1-216-841-11 | METAL CHIP 47K | 5% 1/10W |
| < TRANSFORMER > | | | |
| T301 | 1-416-041-41 | TRANSFORMER, BIAS OSCILLATION | |
| < VIBRATOR > | | | |
| X1 | 1-814-371-11 | QUARTZ CRYSTAL UNITS (32.768kHz) | |
| X801 | 1-795-563-21 | VIBRATOR, CERAMIC (16.9MHz) | |
| X802 | 1-767-388-21 | VIBRATOR, CRYSTAL (75kHz) | |
| ***** | | | |
| MOTOR BOARD | | | |
| ***** | | | |
| < SWITCH > | | | |
| S701 | 1-572-085-21 | SWITCH, LEAF (LIMIT) | |
| ***** | | | |
| A-1761-363-A | POWER BOARD, COMPLETE | | |
| ***** | | | |
| < CAPACITOR > | | | |
| C901 | 1-162-970-11 | CERAMIC CHIP 0.01uF | 10% 25V |
| C902 | 1-162-970-11 | CERAMIC CHIP 0.01uF | 10% 25V |
| C903 | 1-162-970-11 | CERAMIC CHIP 0.01uF | 10% 25V |
| C904 | 1-162-970-11 | CERAMIC CHIP 0.01uF | 10% 25V |
| C905 | 1-126-964-11 | ELECT 10uF | 20% 50V |
| C906 | 1-162-970-11 | CERAMIC CHIP 0.01uF | 10% 25V |
| < CONNECTOR > | | | |
| CN903 | 1-822-674-11 | HEADER ASSEMBLY | FOR PRINTED WIRING BOARD |
| < DIODE > | | | |
| D901 | 8-719-046-07 | DIODE 2A02M | |
| D902 | 8-719-046-07 | DIODE 2A02M | |
| D903 | 8-719-046-07 | DIODE 2A02M | |
| D904 | 8-719-046-07 | DIODE 2A02M | |

CFD-S05

POWER SWITCH

| Ref. No. | Part No. | Description | Remark |
|----------|--------------|--|--------|
| | | < FUSE HOLDER > | |
| FH901 | 1-533-217-41 | HOLDER, FUSE | |
| FH902 | 1-533-217-41 | HOLDER, FUSE | |
| FH903 | 1-533-217-41 | HOLDER, FUSE | |
| FH904 | 1-533-217-41 | HOLDER, FUSE | |
| | | < AC INLET > | |
| △ J901 | 1-526-838-13 | INLET, AC 2P (～ AC IN) | |
| ***** | | | |
| | A-1760-734-A | SWITCH BOARD, COMPLETE | |
| ***** | | | |
| | | < CONNECTOR > | |
| CN318 | 1-815-446-11 | PIN, CONNECTOR (PWB) 5P | |
| | | < SWITCH > | |
| S301 | 1-786-126-11 | SWITCH, SLIDE (REC/PB) | |
| ***** | | | |
| | | MISCELLANEOUS | |
| ***** | | | |
| 52 | 1-831-985-32 | CABLE, FLEXIBLE FLAT (5 CORE) | |
| 154 | 1-838-039-31 | CABLE, FLEXIBLE FLAT (16 CORE) | |
| 156 | 1-831-758-32 | CABLE, FLEXIBLE FLAT (6 CORE) | |
| △ 158 | A-1780-028-A | OPTICAL PICK-UP (DA11MMVGP) | |
| 164 | 1-452-899-11 | MAGNET | |
| ANT1 | 1-754-691-11 | ANTENNA, TELESCOPIC (FM) | |
| △ F901 | 1-533-468-12 | FUSE, GLASS (DIA. 5) (T2AL/250V) | |
| △ F902 | 1-533-468-12 | FUSE, GLASS (DIA. 5) (T2AL/250V) | |
| HE301 | 1-500-813-11 | HEAD, ERASE (ERASE) | |
| HRP301 | 3-266-053-01 | HEAD, RP (REC/PB) | |
| S801 | 1-692-960-11 | SWITCH, PUSH (1 KEY) (PUSH OPEN/CLOSE ▲) | |
| SP101 | 1-826-280-61 | SPEAKER (7.7cm) (L-CH) | |
| SP201 | 1-826-280-61 | SPEAKER (7.7cm) (R-CH) | |
| △ T901 | 1-445-818-11 | TRANSFORMER, POWER (TW) | |
| △ T901 | 1-445-820-11 | TRANSFORMER, POWER (EXCEPT TW) | |
| ***** | | | |
| | | ACCESSORIES | |
| ***** | | | |
| △ | 1-776-985-15 | CORD, POWER (KR) | |
| △ | 1-829-433-13 | CORD, POWER (TW) | |
| △ | 1-834-539-14 | CORD, POWER (TH) | |
| △ | 1-835-164-12 | CORD SET, POWER (AUS) | |
| △ | 1-836-379-12 | CORD, POWER (SP) | |
| | 4-174-567-31 | MANUAL, INSTRUCTION (ENGLISH) (AUS,TH) | |
| | 4-174-567-71 | MANUAL, INSTRUCTION (ENGLISH, SIMPLIFIED CHINESE) (SP) | |
| | 4-174-567-81 | MANUAL, INSTRUCTION (ENGLISH,KOREAN) (KR) | |
| | 4-174-567-91 | MANUAL, INSTRUCTION (ENGLISH, TRADITIONAL CHINESE) (TW) | |

MEMO

