



No. C862H



**LB3500**

Monolithic Digital Integrated Circuit  
**1/8 PRESCALER FOR PLL ELECTRONIC TUNING**

The LB3500 is an ECL prescaler with 1/8 frequency division ratio developed for use in PLL electronic tuning FM radio application. Adoption of high performance bipolar process enables the frequency division of 150MHz max.

**Features**

- . FM frequency can be divided into C-MOS operating frequency.
- . Control pin is provided to inhibit the operation of prescaler when it is not in use.
- . If used in conjunction with our PLL synthesizer LC7220, electronic tuning system can be formed.

**Absolute Maximum Ratings at  $T_a=25^\circ\text{C}$**

Maximum Supply Voltage	$V_{CCmax}$	8	V
Allowable Power Dissipation	$P_{dmax}$	200	mW
Operating Temperature	$T_{opg}$	-20 to +80	$^\circ\text{C}$
Storage Temperature	$T_{stg}$	-40 to +125	$^\circ\text{C}$

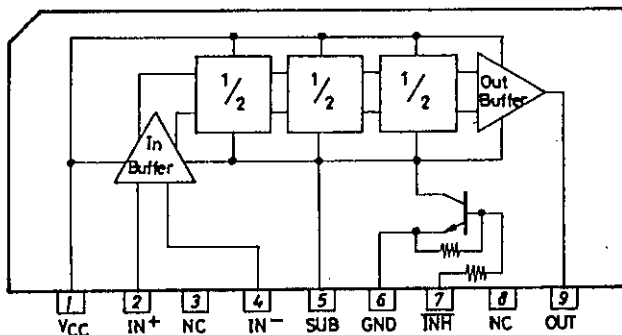
**Allowable Operating Condition at  $T_a=25^\circ\text{C}$**

		min	typ	max	unit
Supply Voltage Range	$V_{CC}$	4.5		5.5	V

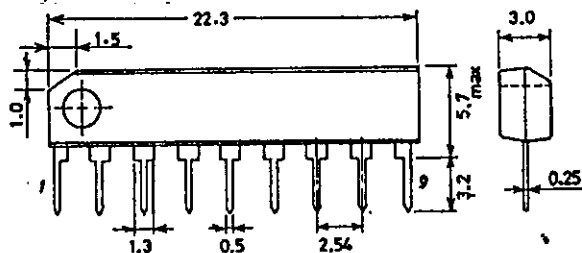
**Electrical Characteristics at  $T_a=25^\circ\text{C}$**

			min	typ	max	unit
Current Dissipation	$I_{CC}$			16	24	mA
Maximum Operating Frequency	$f_{max}$	$v_{in}=150\text{mV}_{rms}$	150			MHz
Minimum Operating Frequency	$f_{min}$	$v_{in}=150\text{mV}_{rms}$			30	MHz
Input Voltage Range	$V_{IN}$		100		600	$\text{mV}_{rms}$
Output Amplitude	$V_{OUT}$		0.9			Vp-p
$\overline{INH}$ Pin High Level Voltage	$V_{\overline{INH}}(H)$		3		5.5	V

**Equivalent Circuit Block Diagram and Pin Assignment**



Case Outline 3017B-S91C  
(unit:mm)

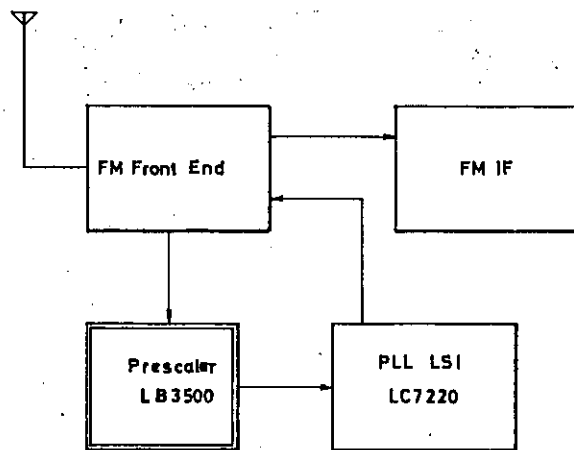


SANYO: SEP9

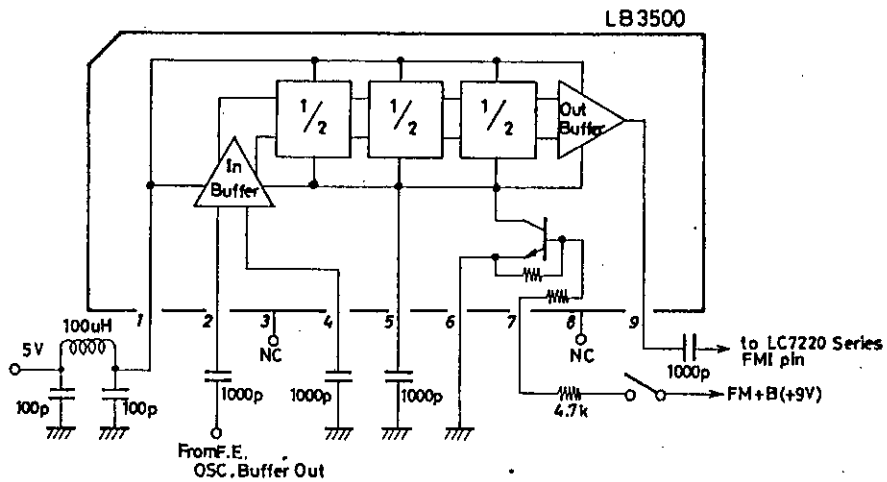
These specifications are subject to change without notice.

TOKYO SANYO ELECTRIC CO., LTD. SEMICONDUCTOR DIVISION  
 15-13, 6-CHOME, SOTOKANDA, CHIYODA-KU, TOKYO 101 JAPAN

SANYO PLL Synthesizer Tuner System



Application Circuit



Information furnished by SANYO is believed to be accurate and reliable. However, no responsibility is assumed by SANYO for its use; nor for any infringements of patents or other rights of third parties which may result from its use, and no license is granted by implication or otherwise under any patent or patent rights of SANYO.