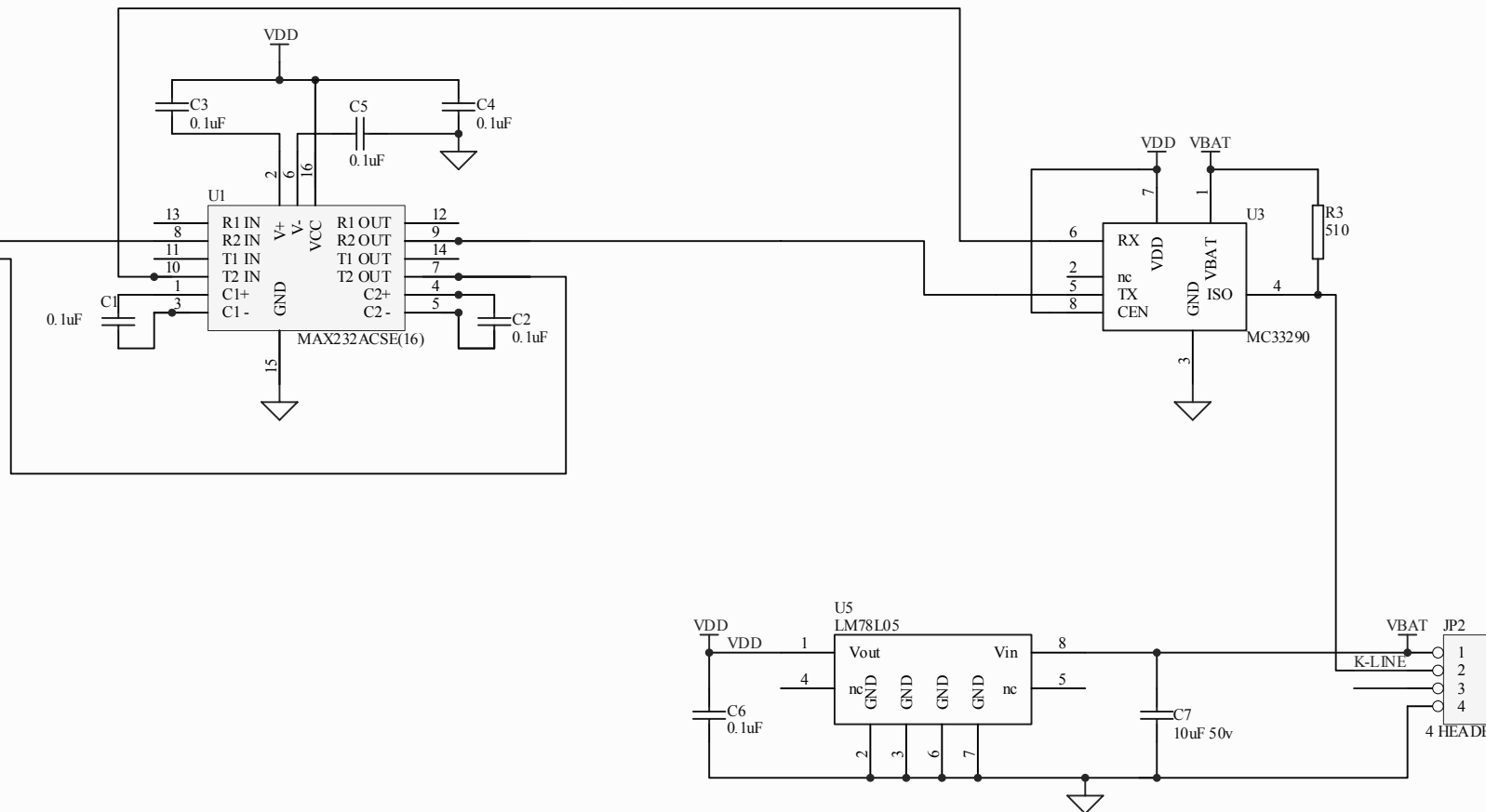


To PC DB9
 JP1
 1 TX 3
 2 RX 2
 3
 4
 5 GND 5
 HEADER 5



OBDII Connector
 16. +12v
 7. K-Line
 3. L-Line
 4. Ground

www.skpang.co.uk
 copyright 2004

Title		High Speed ISO9141 Interface	
Size	Number	Revision	
A4		Rev A	
Date:	11/08/2004	Sheet of	
File:	C:\My Documents\highspeed-ISO.SCH		

1 2 3 4

1 2 3 4

A
B
C
D

A
B
C
D