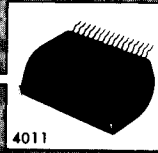


**STK-457,459,460,  
461,463,465**

thick film hybrid IC

2 POWER 2 CHANNEL

10 to 30W min AF POWER AMP



4011

**Features**

- © IMST, 2 Channels by 2 Power Suppliers.
- AF output power STK-457: 10W min., STK-459: 15W min. STK-460: 20W min., STK-461: 20W min., STK-463: 25W min, STK-465: 30W min.

**MAXIMUM RATINGS / Ta=25°C**

	STK-457	STK-459	STK-460	STK-461	STK-463	STK-465	unit	
Maximum Supply Voltage	V <sub>CC</sub> max	±26	±31	±32	±33	±38	±41	V
Operating Case Temperature	T <sub>C</sub>	→	→	→	→	→	105	°C
Storage Temperature	T <sub>stg</sub>	→	→	→	→	→	-30 to +105	°C
Allowable Load Shorting Time (in appointed condition)	t <sub>s</sub>	→	→	→	→	→	2	sec

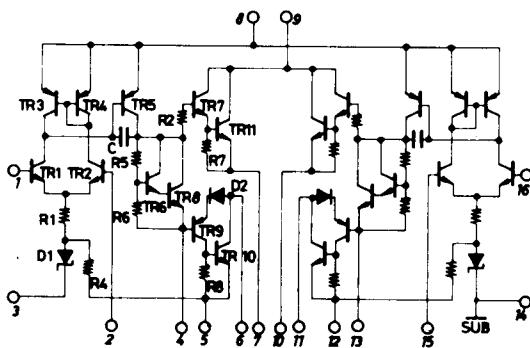
**RECOMMENDED OPERATION CONDITION / Ta=25°C**

	STK-457	STK-459	STK-460	STK-461	STK-463	STK-465	unit	
Recommended Supply Voltage	V <sub>CC</sub>	±18	±21	±23	±23	±26	±28	V
Load Resistance	R <sub>L</sub>	→	→	→	→	→	8	ohm

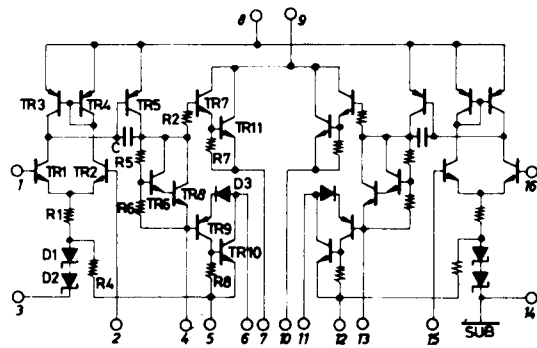
**OPERATION CHARACTERISTICS / Ta=25°C, recommended condition R<sub>g</sub>=600 ohm, V<sub>G</sub>=40dB**

	STK-457	STK-459	STK-460	STK-461	STK-463	STK-465	unit			
Quiescent Current	I <sub>cco</sub>	→	→	→	→	→	120	mAmax		
Output Power	P <sub>o</sub>	10	15	20	20	25	30	Wmin		
Distortion	THD	Po=1W f=20~20kHz		Po=1W f=20~20kHz		Po=1W f=20~20kHz		0.08	%max	
Frequency Response	f	Po=1W, ±0.3 dB f=1kHz		Po=1W, ±0.3 dB f=1kHz		Po=1W, ±0.3 dB f=1kHz		→	10 to 100k	Hz
Input Resistance	r <sub>i</sub>	Po=1W, f=1kHz		Po=1W, f=1kHz		Po=1W, f=1kHz		→	32k	ohm

**EQUIVALENT CIRCUIT**



STK-457, 459, 460



STK-461, 463, 465

**APPLICATION: AF Power Amp.**

