

Round PWM LED Chaser (type 433)

<http://picprojects.org.uk>

(c) 2011

Resistors 5% 1/8 watt carbon film

R1-R8 330R

R9, R10 10K

R11 1K

PR1 20K preset pot (or 10K)

C1 100nF multilayer ceramic 2.5mm

C2 100nF multilayer ceramic 2.5mm

C3 47uF / 6.3V

C4 2.2uF / 10V

IC1 PIC 16F628A

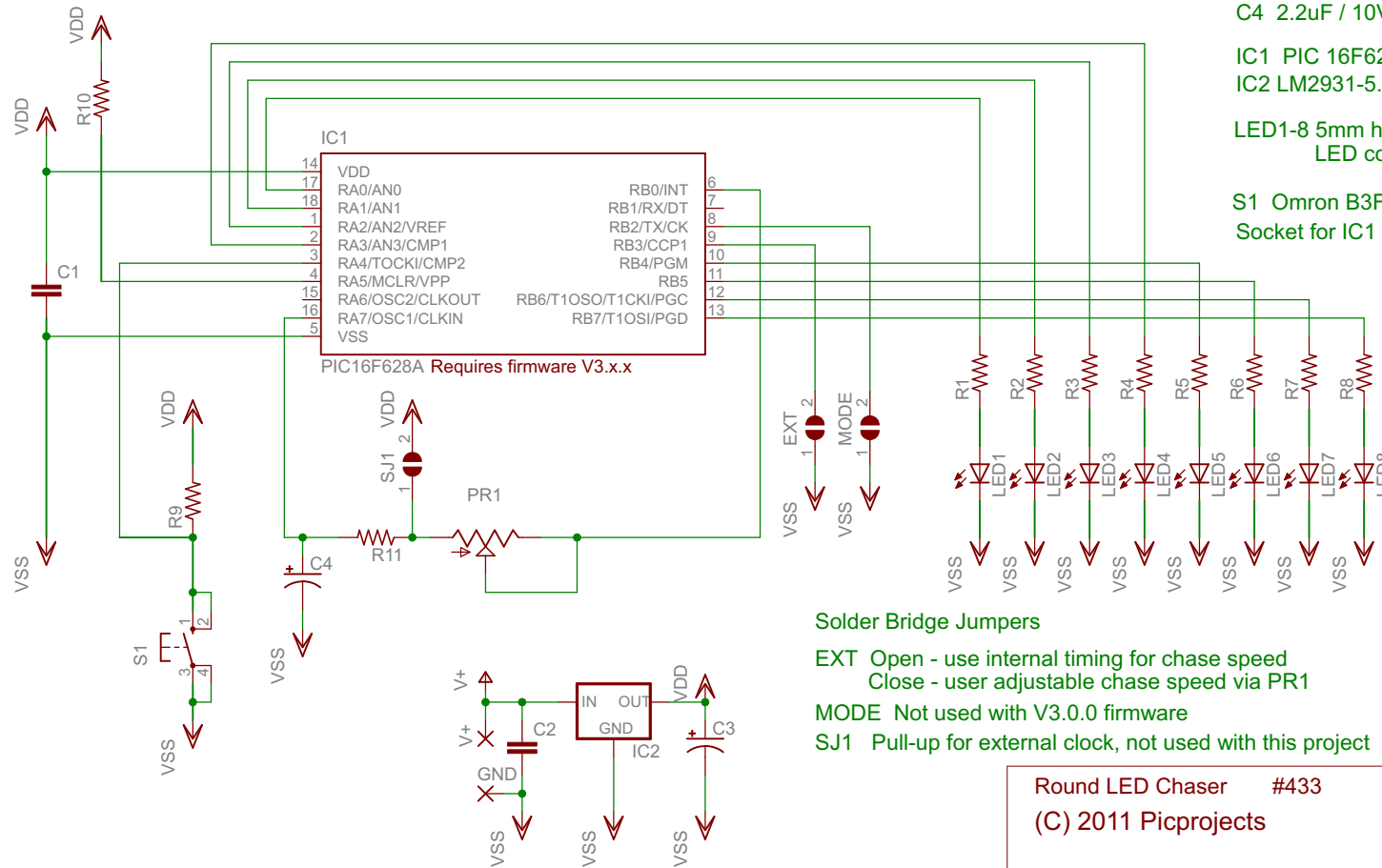
IC2 LM2931-5.0, 100mA 5v LDO regulator

LED1-8 5mm high brightness

LED colour to suit application

S1 Omron B3F-31XX or similar

Socket for IC1 18pin DIP



Round LED Chaser #433
 (C) 2011 Picprojects

<http://picprojects.org>
 RoundChaser433A
 10/10/2011 13:59:42
 Sheet: 1/1