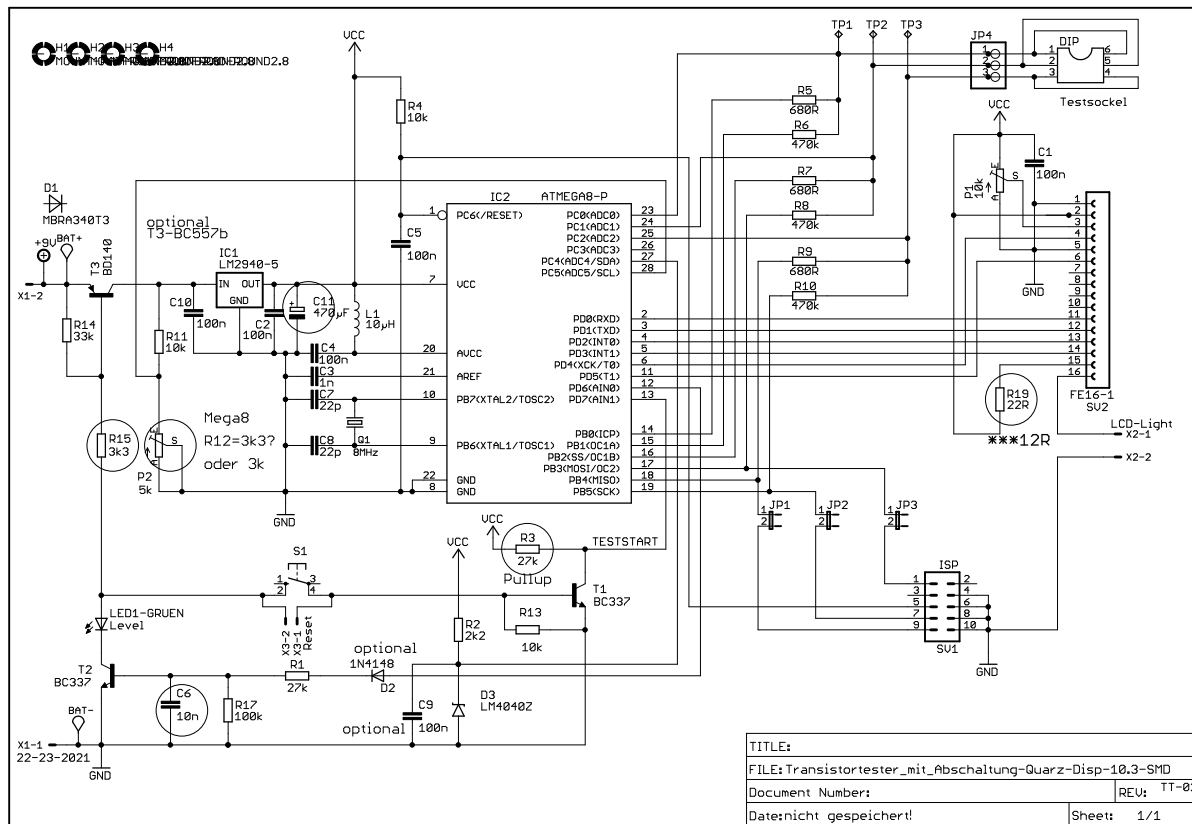
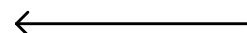


In R11 R12 Mess  
 9V 10k 3k3 = 2,3V  
 9V 10k 1k5 = 1,17V

Dann wäre Messwert > Ref 1,1V



TITLE:	
FILE: Transistortester_mit_Abschaltung-Quarz-Disp-10.3-SMD	
Document Number:	REV: TT-02
Date: nicht gespeichert!	Sheet: 1/1



- Modified AVCC (L1)
- Removed all SMD Caps
- Added SPI-Plug
- Added Text on pcb
- Added Quartz lay/stand
- Added T3 for PWM-Dimmer Pin27(PC4)
- Delete Softw.-Contrast Pin26(PC3)
- Added Kontrast-Poti
- Delete R2 (100R)
- Delete Quarz Nr.2 (laying)
- Delete Transistor LCD Light
- Added ISP-Disconnect Jumpers
- Added C10
- Delete Z-Diode 5.1V parallel R12
- Change IC1 to LM2940-5
- Rename IC4 to IC2
- Rename IC3 to IC1
- Change C6 100n to 10n
- D1, C9 optional
- Change R15 27k to 3k3
- Delete R3 T1 (B to E)10k
- Added (Pullup)R3- 27k T1 (C +Pin13) to UCC
- \*\*\*220R for 1LED, 12R-22R for DisplayTec
- Added C11-470µF Important!!! (Swing 34kHz)
- optional for T3=BC557b !!!
- Replace R12 to P2-5k

Dummy zum Anzeichnen der Löcher