

TAS5615

SLAS595B – JUNE 2009 – REVISED FEBRUARY 2010

www.ti.com

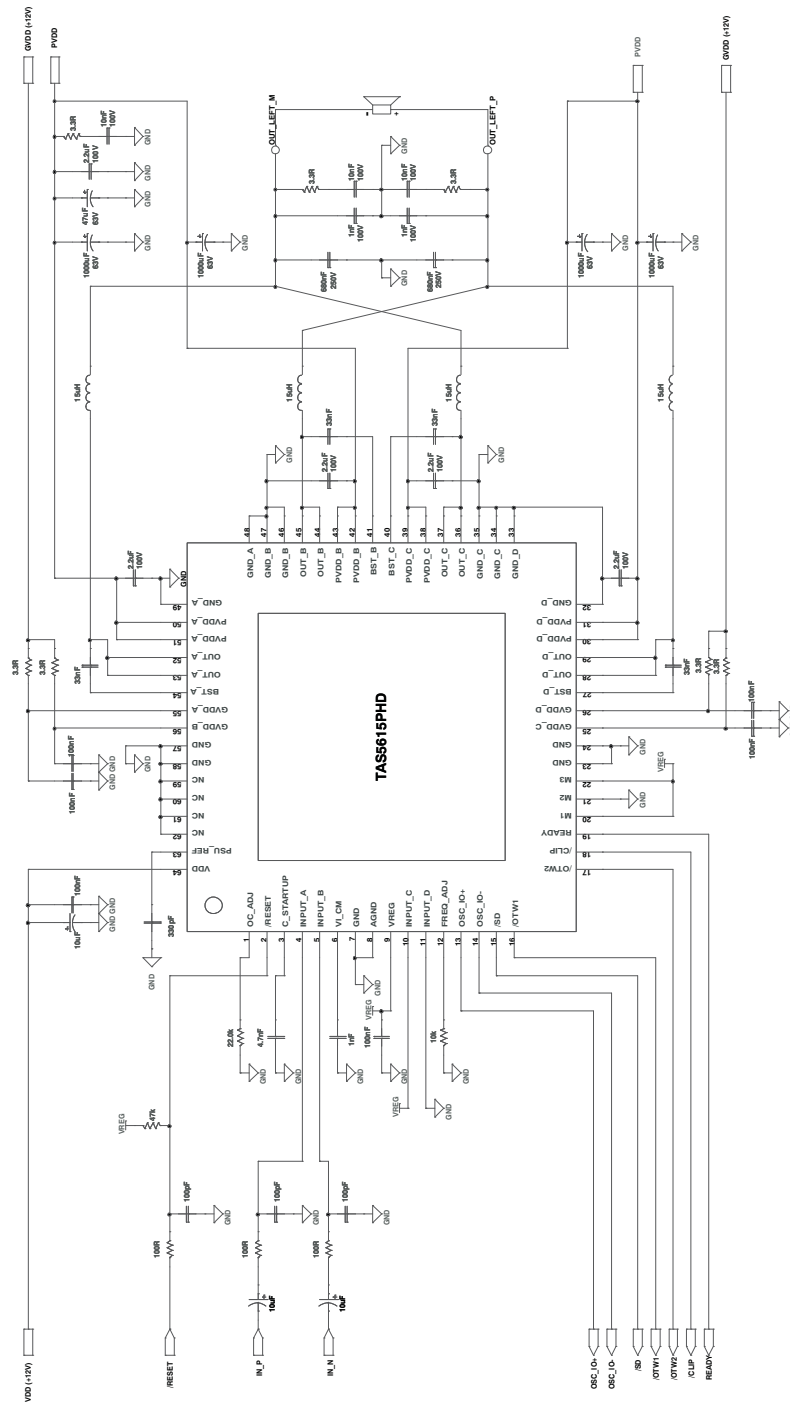


Figure 15. Typical Differential (2N) PBTl Application With BD Modulation Filters