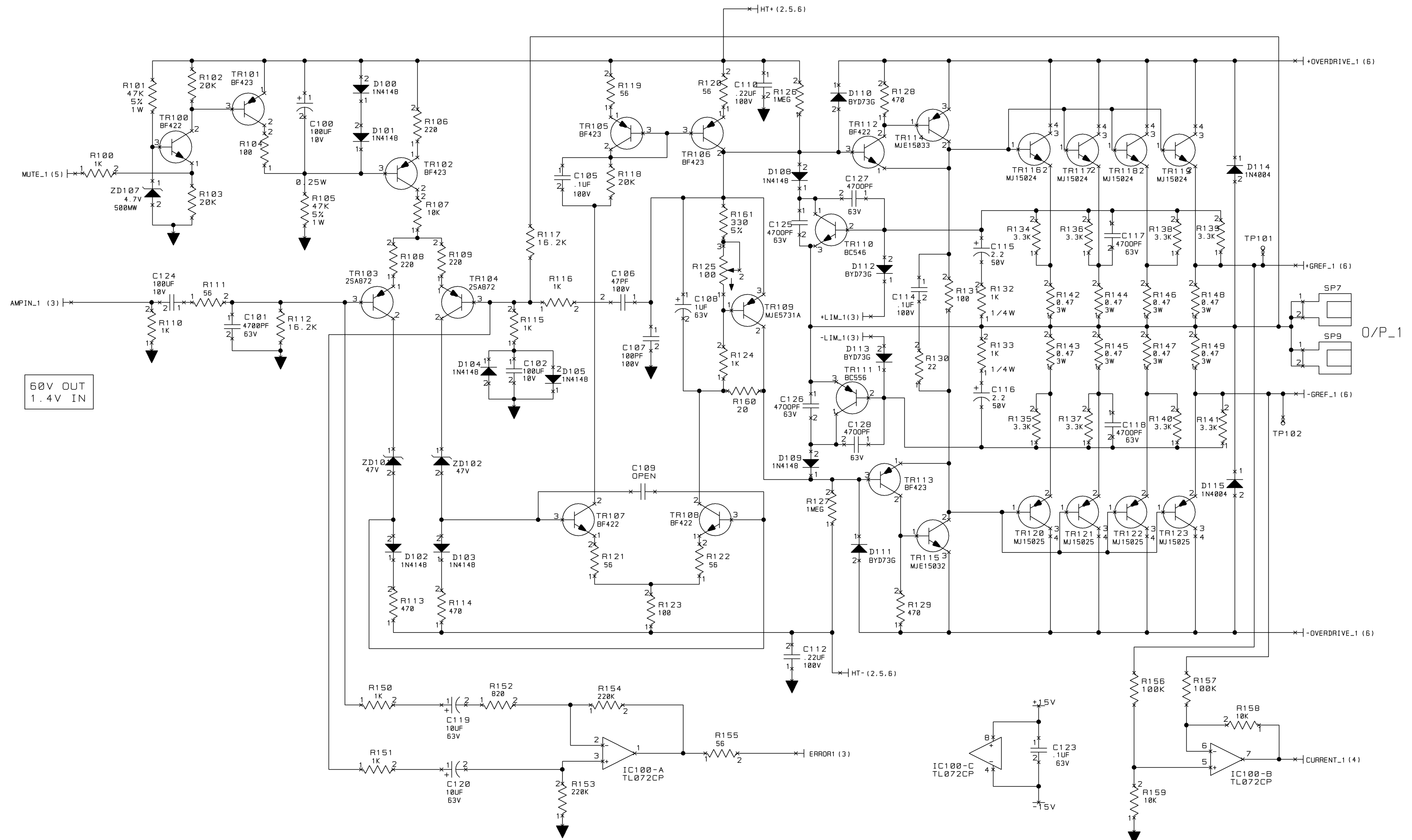


REVISION HISTORY					
E. C. N.	ZONE	REV	DESCRIPTION	DATE	APPROVED
		6	SEE 135731-1_6.XLS FOR REVISION HISTORY	5-8-03	JFL
		8	SEE 135731-1_8.XLS FOR REVISION HISTORY	1-21-04	GET



NOTES:

- SEE 135731-1_8.XLS FOR DATA & REVS
- 1. ALL RESISTORS ARE IN OHMS, 0.25W, 1% UNLESS OTHERWISE SPECIFIED.
- 2. ALL CAPACITORS ARE IN MICROFARADS UNLESS OTHERWISE SPECIFIED.

UNCONTROLLED
 UNLESS OTHERWISE MARKED IN RED INK BY CM AS A CONTROLLED COPY. COPIES OF THESE DOCUMENTS INCLUDING ASSOCIATED ELECTRONIC REPRODUCTIONS ARE FOR REFERENCE ONLY. VERIFY LATEST REVISION PRIOR TO USE.

THESE DRAWINGS AND SPECIFICATIONS ARE THE PROPERTY OF CROWN INTERNATIONAL, INC. AND SHALL NOT BE REPRODUCED, COPIED, OR USED AS THE BASIS FOR THE MANUFACTURE OR SALE OF APPARATUS OR DEVICES WITHOUT PERMISSION.

DISTRIBUTION	DWN	JFL	5-8-03
FILENAME	PE	GT	5-8-03
TOLERANCE UNLESS OTHERWISE SPECIFIED			
DO NOT SCALE DRAWING			

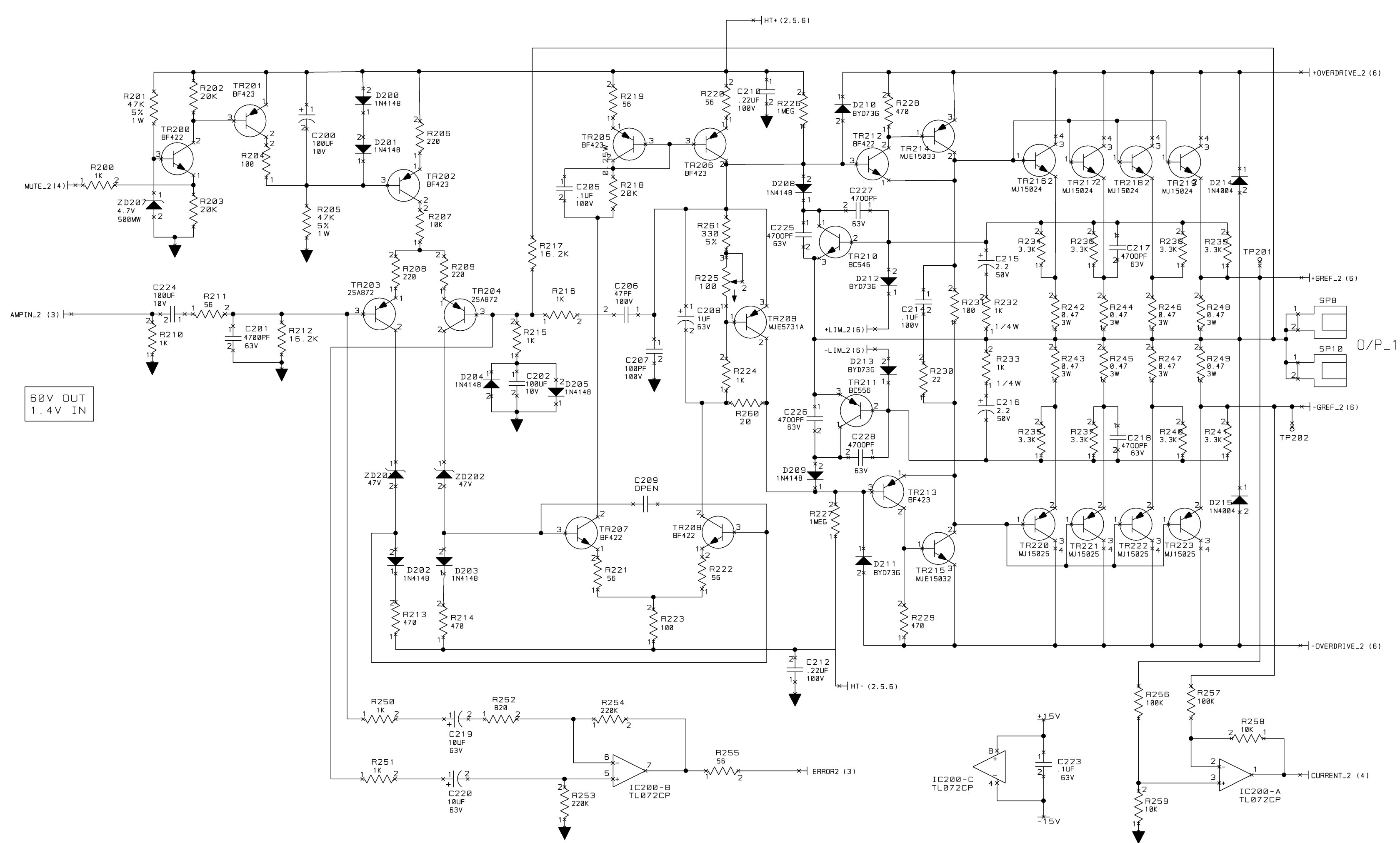
CROWN INTERNATIONAL, INC.
 1718 W. MISHAWAKA RD.
 ELKHART IN. 46517
 PHONE 574-294-8000
 WWW.CROWNINTL.COM

TITLE
**PWA, 2 CHANNEL
 X 900W**

SIZE DWG NO.
C 135731-1

REV
8

SCALE NONE PROJ NO. MD470D0 SHEET 1 OF 6



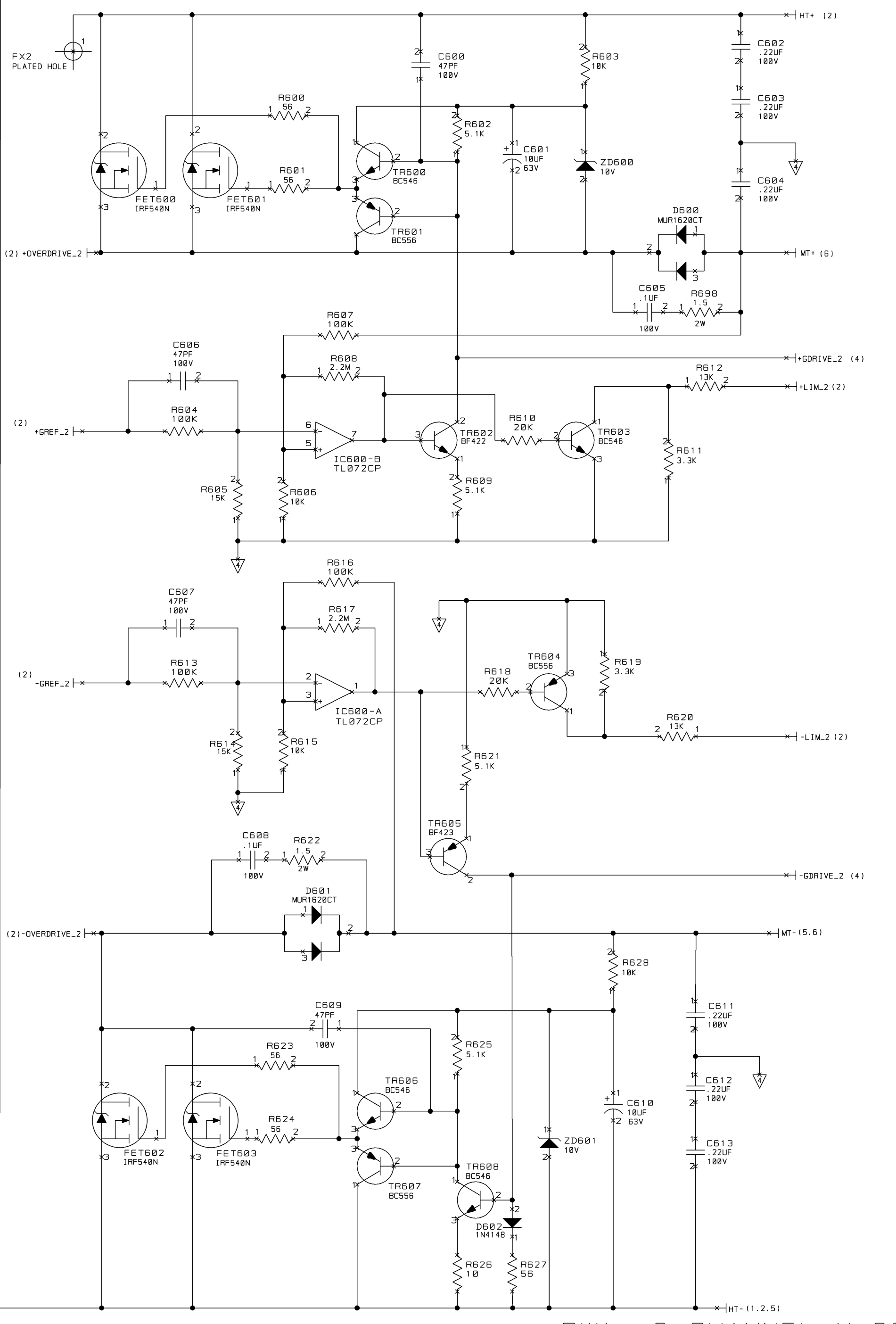
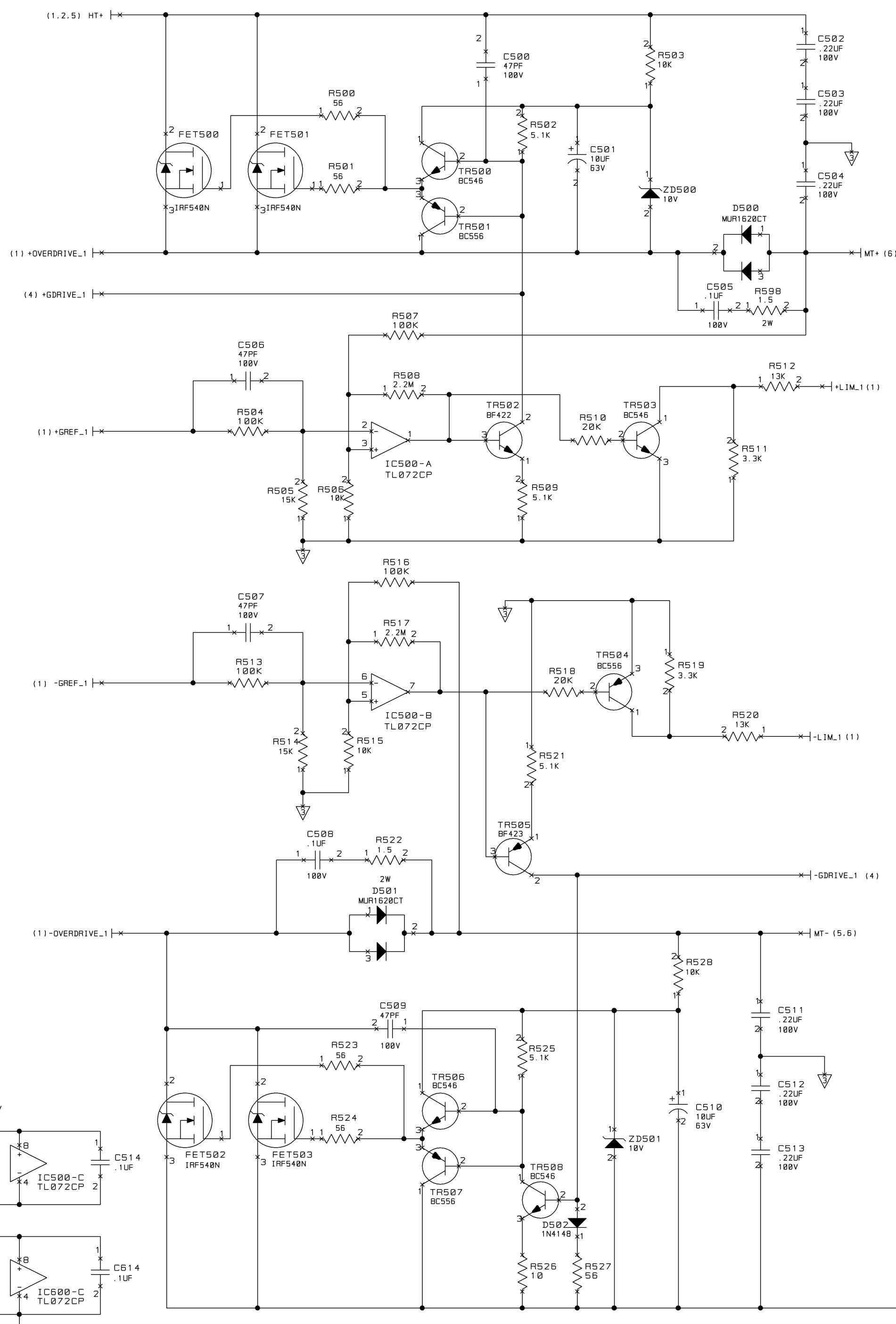
UNCONTROLLED UNLESS OTHERWISE MARKED IN RED INK BY CM AS A CONTROLLED COPY. COPIES OF THESE DOCUMENTS INCLUDING ASSOCIATED ELECTRONIC REPRODUCTIONS ARE FOR REFERENCE ONLY.		THESE DRAWINGS AND SPECIFICATIONS ARE THE PROPERTY OF CROWN INTERNATIONAL, INC. AND SHALL NOT BE REPRODUCED, COPIED, OR USED AS THE BASIS FOR THE MANUFACTURE OR SALE OF APPARATUS OR DEVICES WITHOUT PERMISSION.		SIZE C	DWG NO. 135731-1	REV 8
SCALE NONE		PROJ NO. MD470D0		SHEET 2 OF 6		

4

3

2

1



PWA, 2 CHANNEL X 900W

UNCONTROLLED		THESE DRAWINGS AND SPECIFICATIONS ARE THE PROPERTY OF CROWN INTERNATIONAL, INC., AND SHALL NOT BE REPRODUCED, COPIED, OR USED AS THE BASIS FOR THE MANUFACTURE OR SALE OF APPARATUS OR DEVICES WITHOUT PERMISSION.		SIZE C	DWG NO. 135731-1	REV 8
UNLESS OTHERWISE MARKED IN RED INK BY CM AS A CONTROLLED COPY, COPIES OF THESE DOCUMENTS INCLUDING ASSOCIATED ELECTRONIC REPRODUCTIONS ARE FOR REFERENCE ONLY.		SCALE NONE	PROJ NO. MD470D0	SHEET 3 OF 6		

4

3

2

1

4

3

2

D

C

B

A

D

C

B

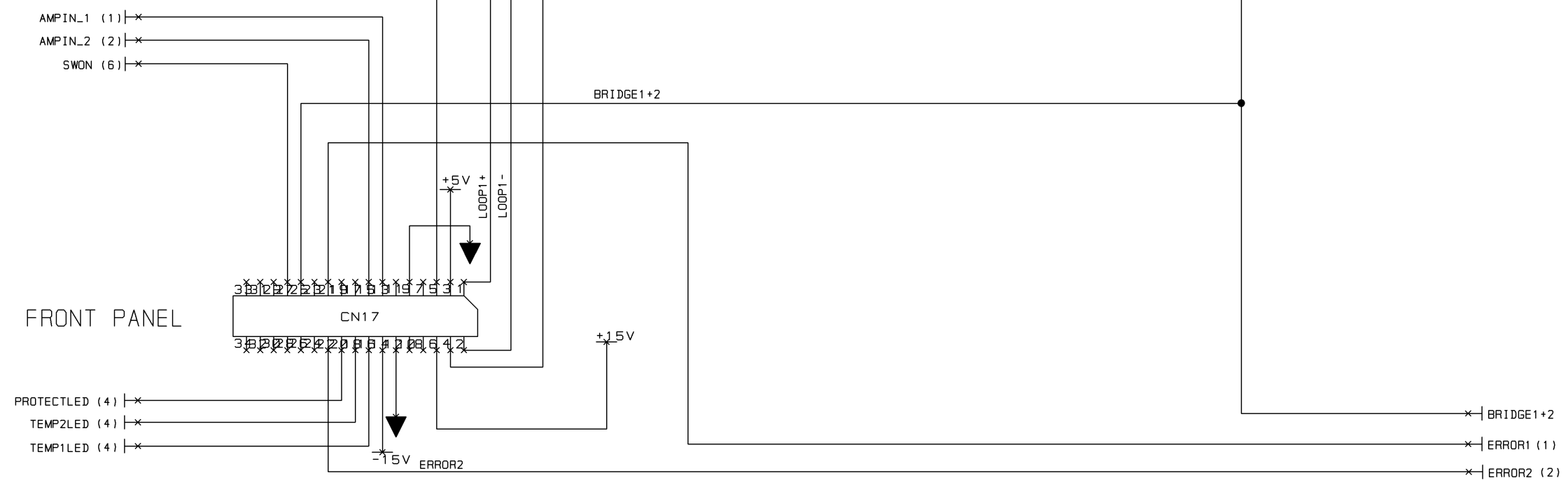
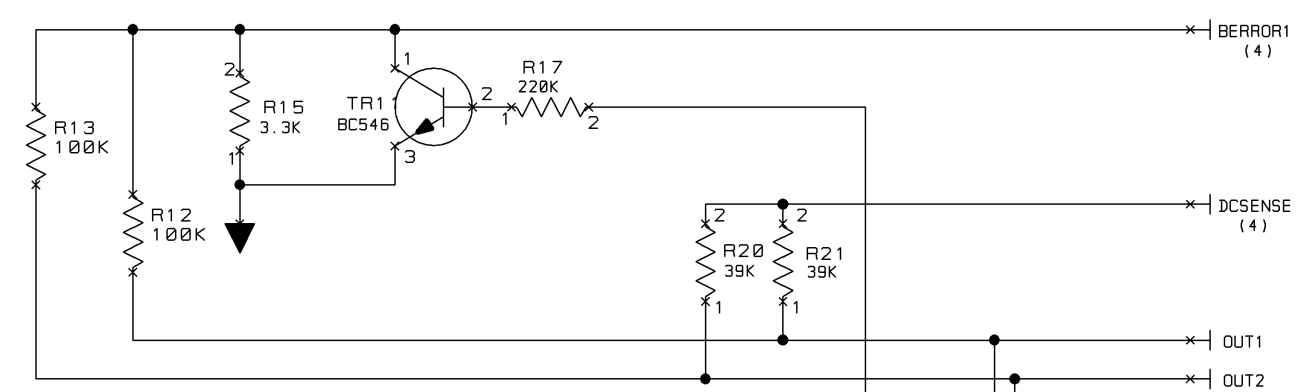
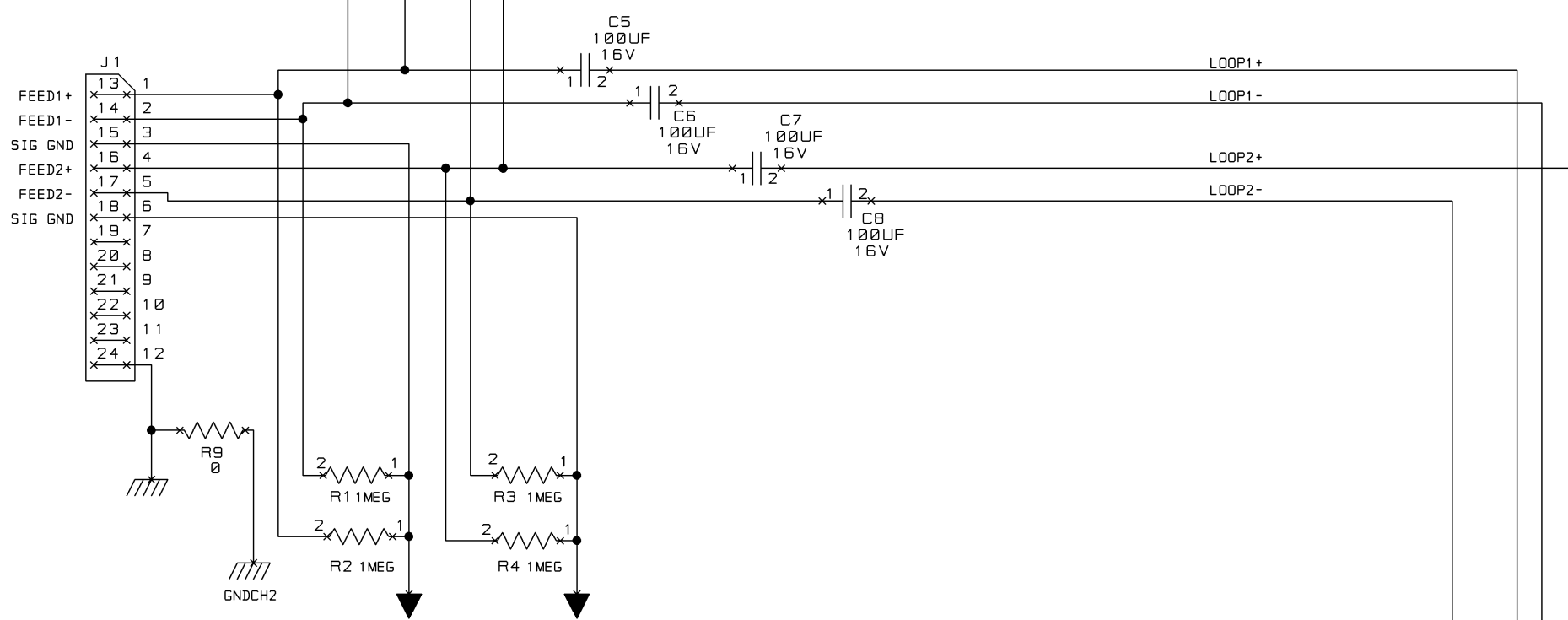
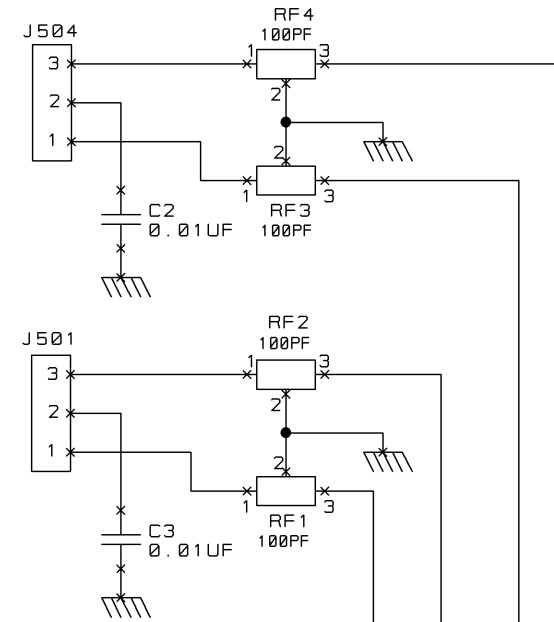
A

INPUT BOARD

O/P BOARD

FRONT PANEL

PWA, 2 CHANNEL X 900W



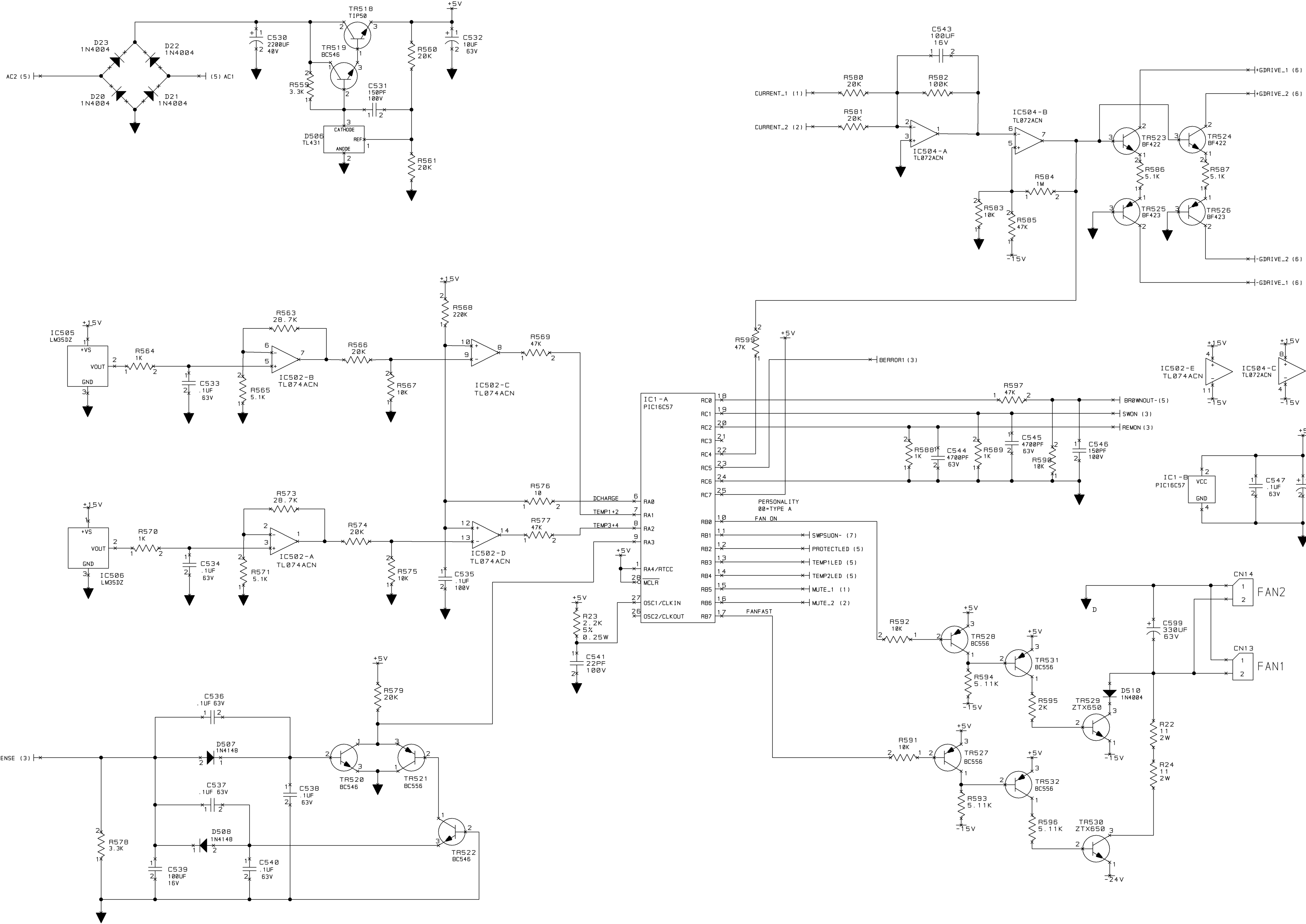
UNCONTROLLED		THESE DRAWINGS AND SPECIFICATIONS ARE THE PROPERTY OF CROWN INTERNATIONAL, INC. AND SHALL NOT BE REPRODUCED, COPIED, OR USED AS THE BASIS FOR THE MANUFACTURE OR SALE OF APPARATUS OR DEVICES WITHOUT PERMISSION.		SIZE C	DWG NO. 135731-1	REV 8
UNLESS OTHERWISE MARKED IN RED INK BY CM AS A CONTROLLED COPY, COPIES OF THESE DOCUMENTS INCLUDING ASSOCIATED ELECTRONIC REPRODUCTIONS ARE FOR REFERENCE ONLY.		SCALE NONE	PROJ NO. MD470D0	SHEET 4 OF 6		

4

3

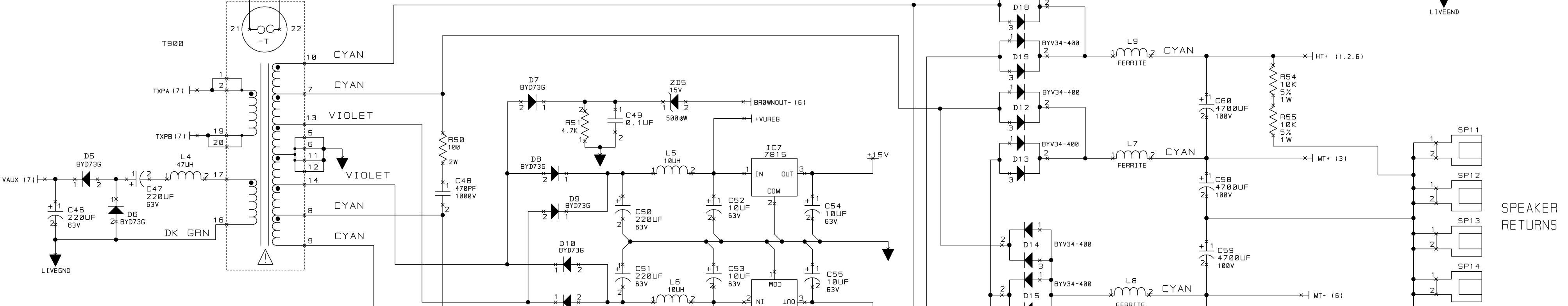
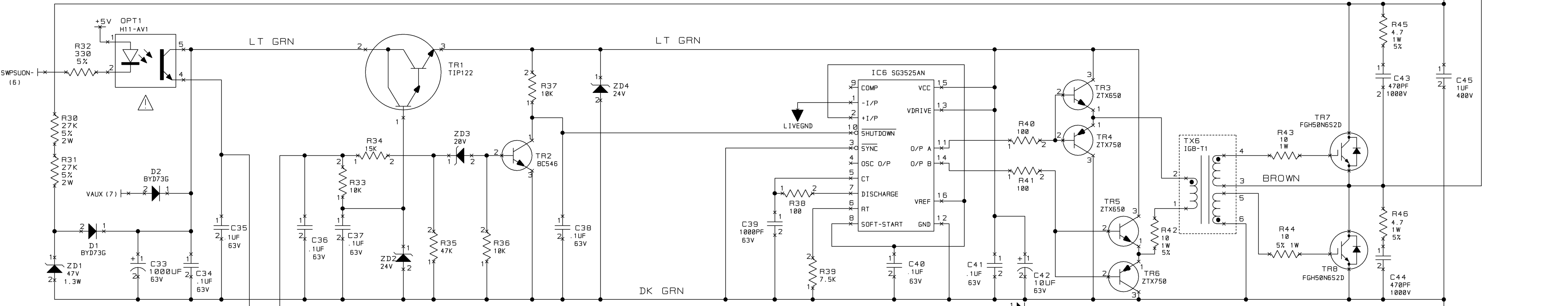
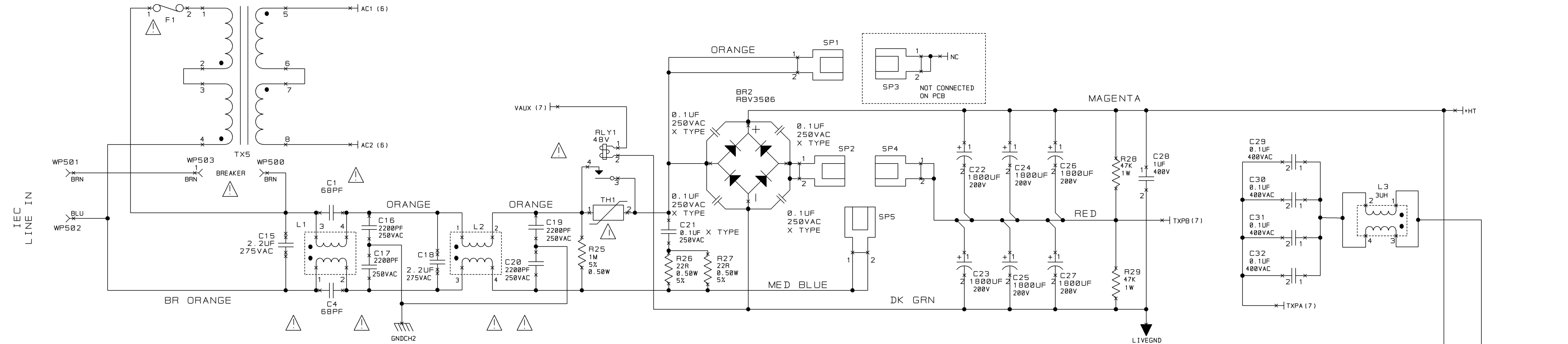
2

1



PWA, 2 CHANNEL X 900W

UNCONTROLLED		THESE DRAWINGS AND SPECIFICATIONS ARE THE PROPERTY OF CROWN INTERNATIONAL, INC. AND SHALL NOT BE REPRODUCED, COPIED, OR USED AS THE BASIS FOR THE MANUFACTURE OR SALE OF APPARATUS OR DEVICES WITHOUT PERMISSION.		SIZE	DWG NO.	REV
UNLESS OTHERWISE MARKED IN RED INK BY CM AS A CONTROLLED COPY. COPIES OF THESE DOCUMENTS INCLUDING ASSOCIATED ELECTRONIC REPRODUCTIONS ARE FOR REFERENCE ONLY.				C	135731-1	8
				SCALE NONE	PROJ NO. MD470D0	SHEET 5 OF 6



- MED BLUE — NEUTRAL
- LT GRN — PRIMARY +60V TO -290V
- ORANGE — HOT ±350V
- MAGENTA — PRIMARY +350V
- DK GRN — PRIMARY -350V
- CYAN — SECONDARY ±77V
- BR. ORANGE — PRIMARY GROUND
- RED — PRIMARY ±175V
- VIOLET — SECONDARY ±33V
- BROWN — PRIMARY ±350V
- LT GREY — UNCLASSIFIED

PWA, 2 CHANNEL X 900W

UNCONTROLLED		THESE DRAWINGS AND SPECIFICATIONS ARE THE PROPERTY OF CROWN INTERNATIONAL, INC. AND SHALL NOT BE REPRODUCED, COPIED, OR USED AS THE BASIS FOR THE MANUFACTURE OR SALE OF APPARATUS OR DEVICES WITHOUT PERMISSION.	
SIZE DWG NO.	C 135731-1	REV	8
SCALE NONE	PROJ NO. MD470D0	SHEET	6 OF 6