

REVISIONS A (09/02/06)

DRAWN BHK

CHECKED

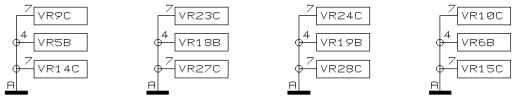
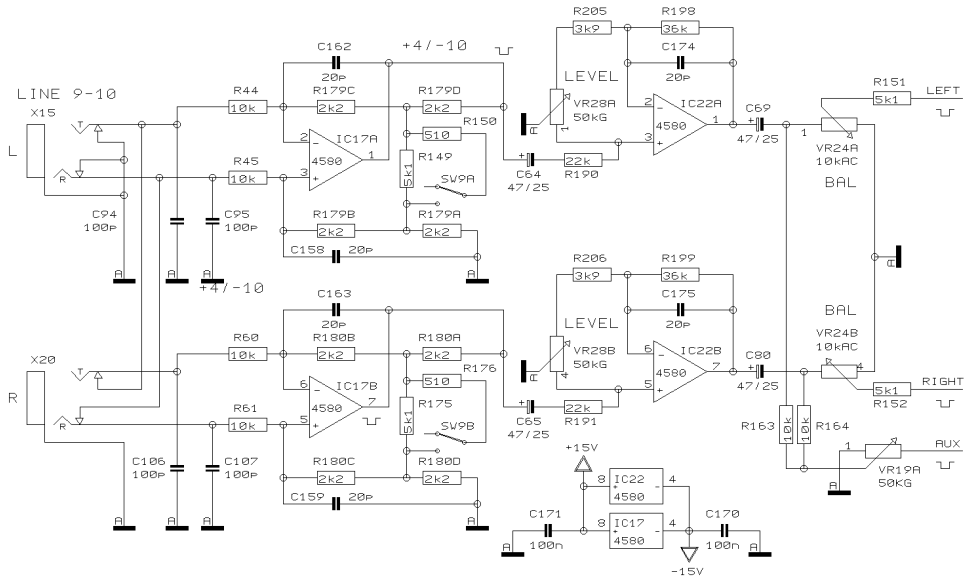
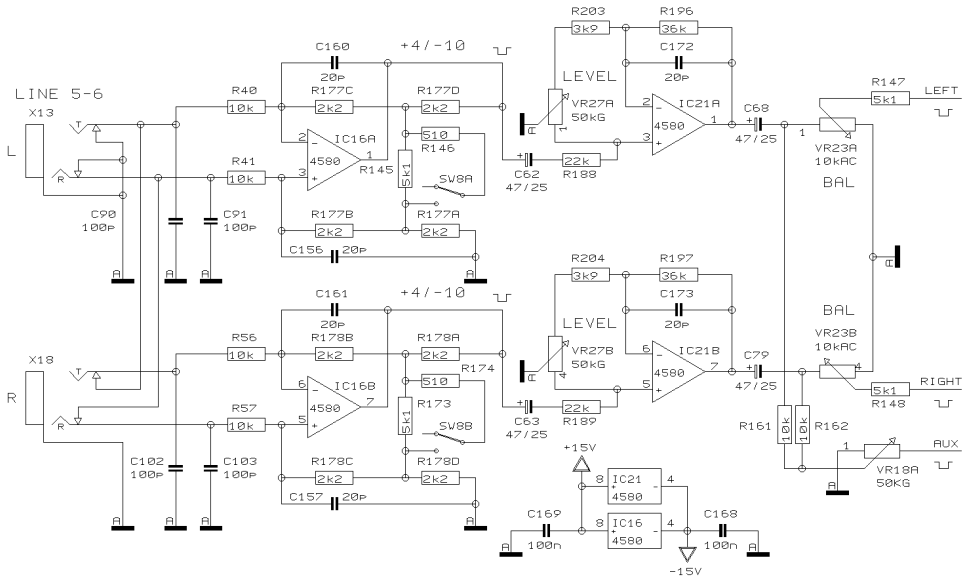
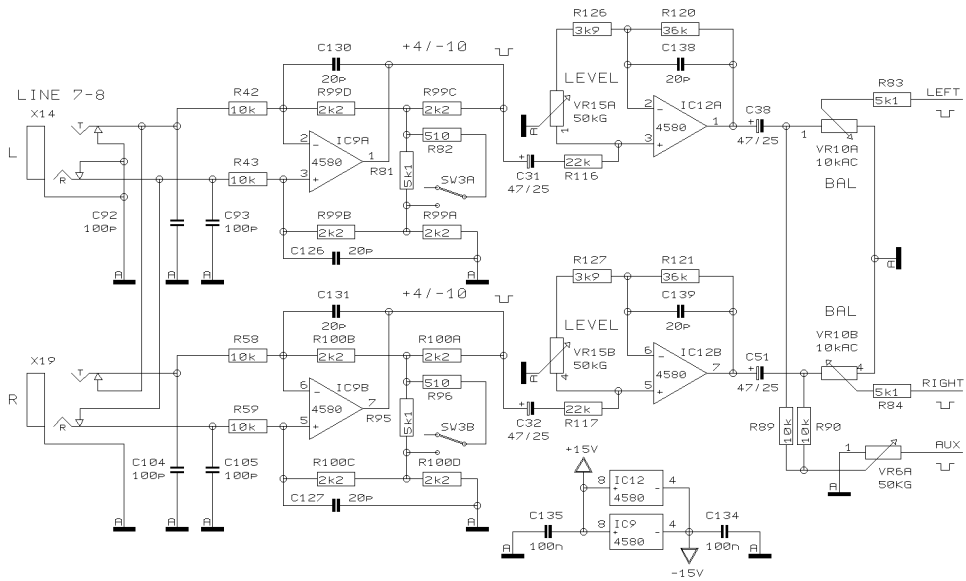
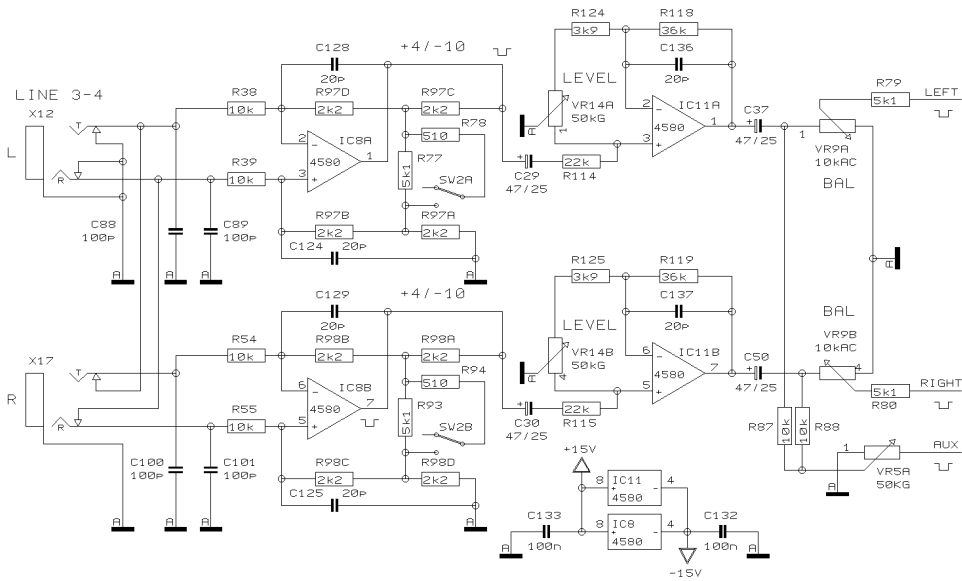
DATE 14.02. 6
15:15

BEHRINGER®

Specialized Studio Equipment

PROJECT
1002
XENYX 1002
INPUT CH. 1/2

SHEET 1 OF 3 SHEETS TOTAL



REVISIONS A

DRAWN BHK

CHECKED

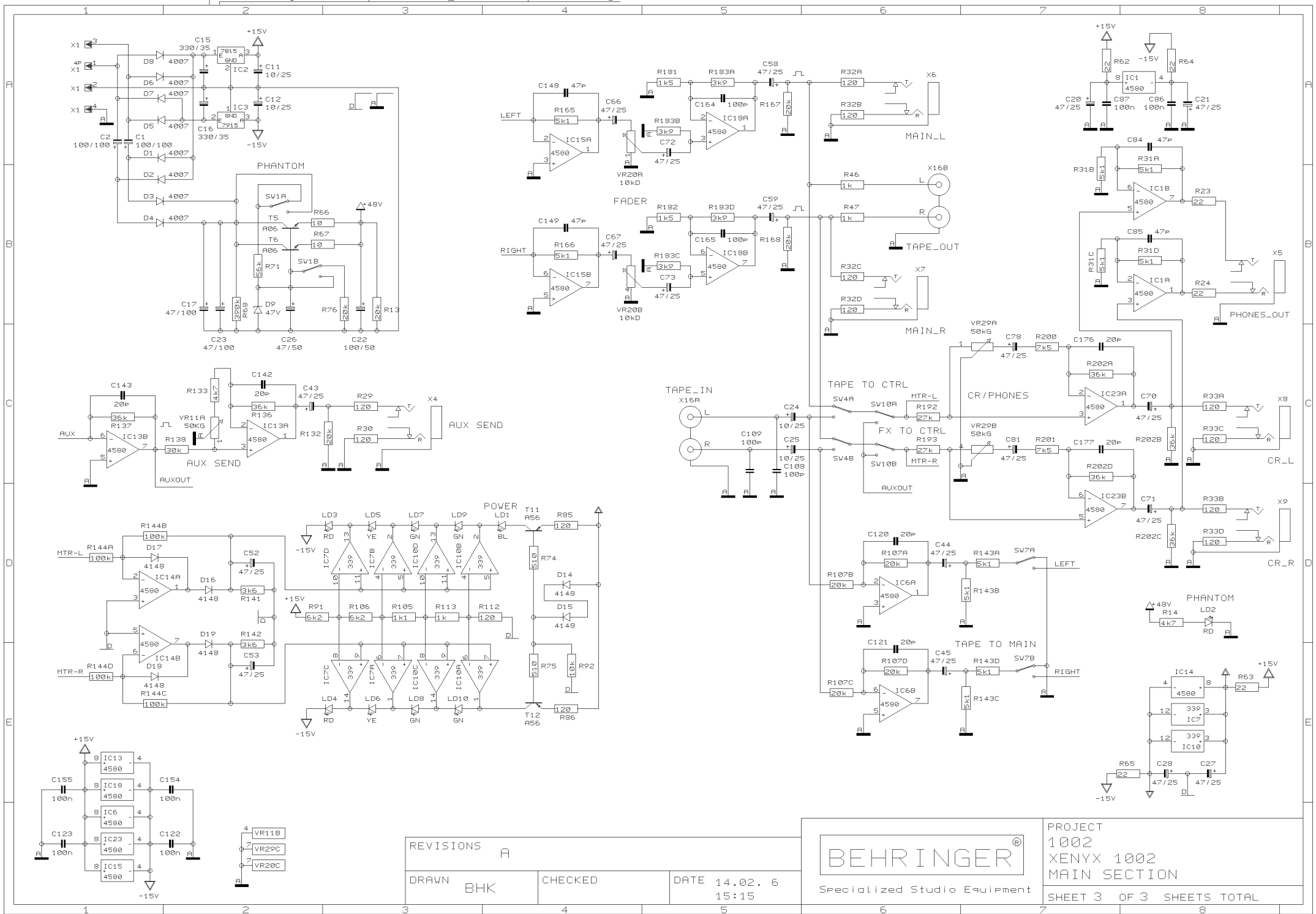
DATE 14.02.6
15:15

BEHRINGER®

Specialized Studio Equipment

PROJECT
1002
XENYX 1002
INPUT CH. 3-10

SHEET 2 OF 3 SHEETS TOTAL



REVISIONS A

DRAWN BHK

CHECKED

DATE 14.02. 6
15:15



PROJECT
1002
XENYX 1002
MAIN SECTION
SHEET 3 OF 3 SHEETS TOTAL