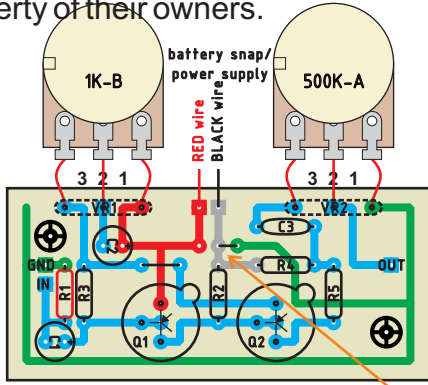
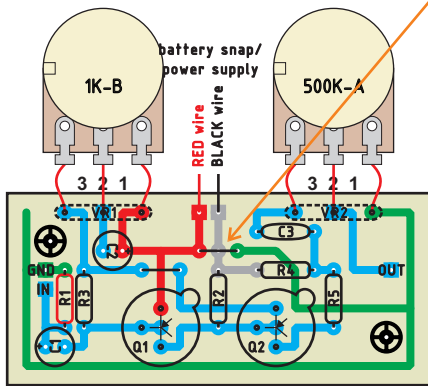


Standard Fuzz Face using PNP transistors. Either positive or negative ground can be selected on this layout by just populating the board as shown in one of the two options (just C1 and a jumper change). Resistor designations from R2-R5 match Small Bear's Bear Face selected Ge Transistors <http://www.smallbearslec.com>. The effect will sound the same regardless of the grounding you choose. The schematic looks different but it's just the representation, it's the regular fuzz face. Of board components except for the potentiometers are not shown on the layout. Trademarks are property of their owners.

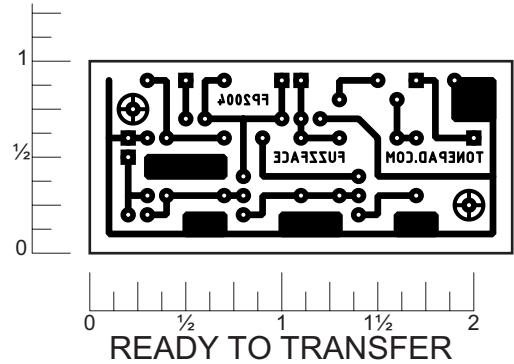


NEGATIVE GROUND

Ground polarity jumper



POSITIVE GROUND



Parts List

- Resistors**
 R1 - 2M2 (2.2M)*
 R2 - 33k
 R3 - 100k
 R4 - 470 ohm
 R5 - 8k2 (8.2k)

- Capacitors**
 C1 - 2.2 μ F
 C2 - 22 μ F
 C3 - .01 μ F

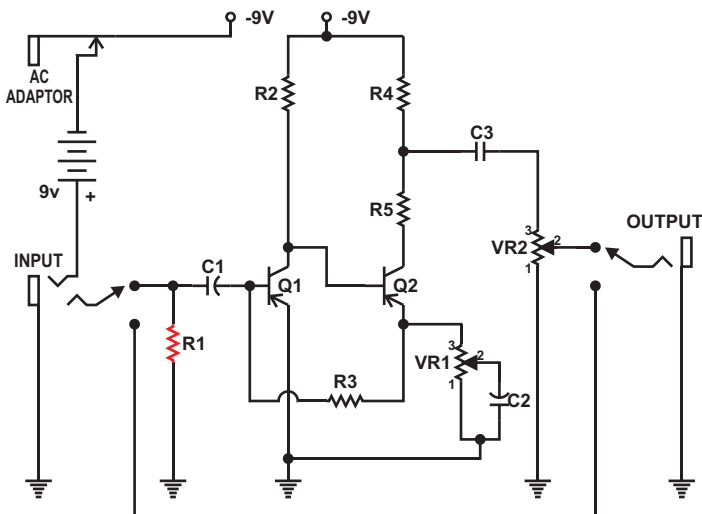
- Transistors**
 Q1 - PNP Ge
 Q2 - PNP Ge

- Pots**
 VR1 - 1k lin.
 VR2 - 500k log.

*not in original schematic

Layout and presentation by Francisco Peña 2001-2004@.
 All rights reserved. Authorization for personal use only.
 any commercial use is forbidden.
 Permission for posting/serving limited to
<http://www.tonepad.com>
 Permission refused for posting from other sites.

Schematic Positive Ground



Schematic Negative Ground

