

# STM32F4DIS-BB

## REV HISTORY

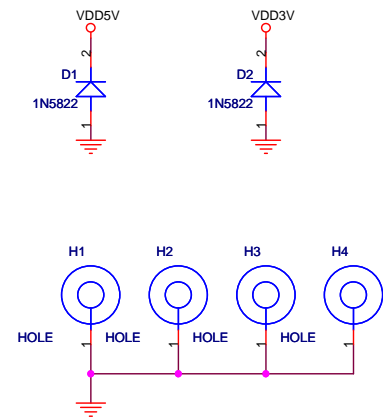
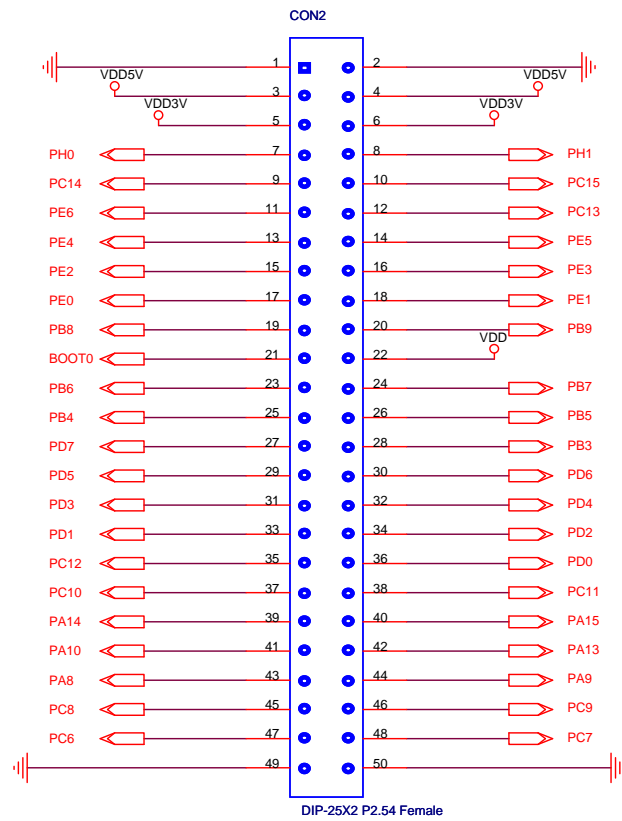
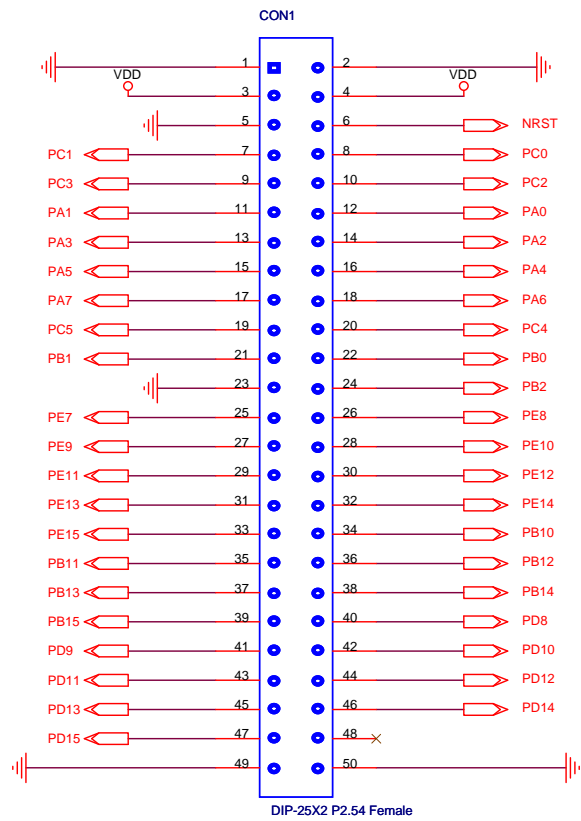
REV	DATE	DESIGNER	INSTRUCTION
1.0	2012-7-12	Carlos Wei	INITIAL VERSION

## INDEX

PAGE	SCHEMATIC
01	REV History & Block Diagram
02	Interface Headers
03	LCD & IO interface
04	Ethernet
05	DCMI & RS232 & MicroSD

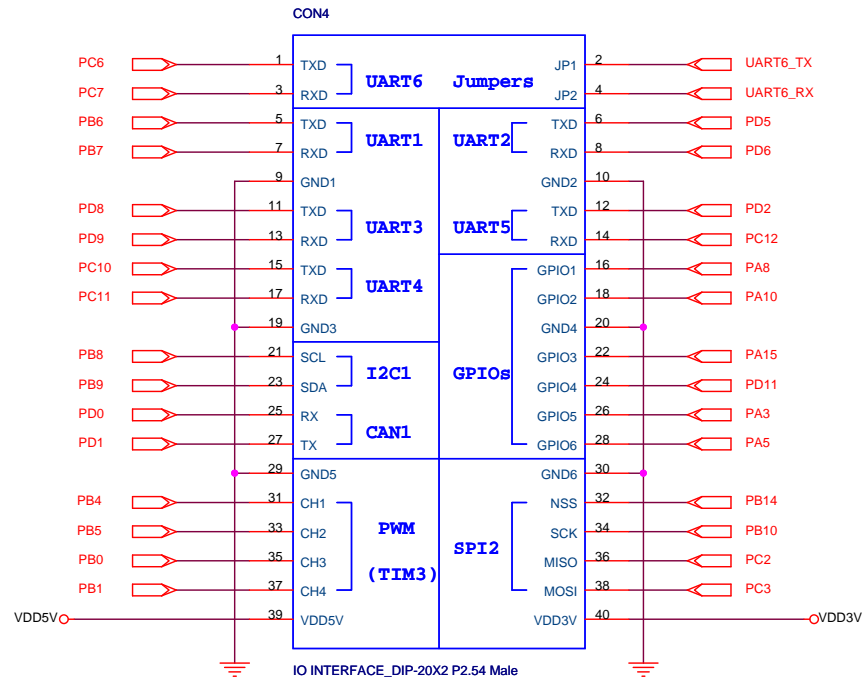
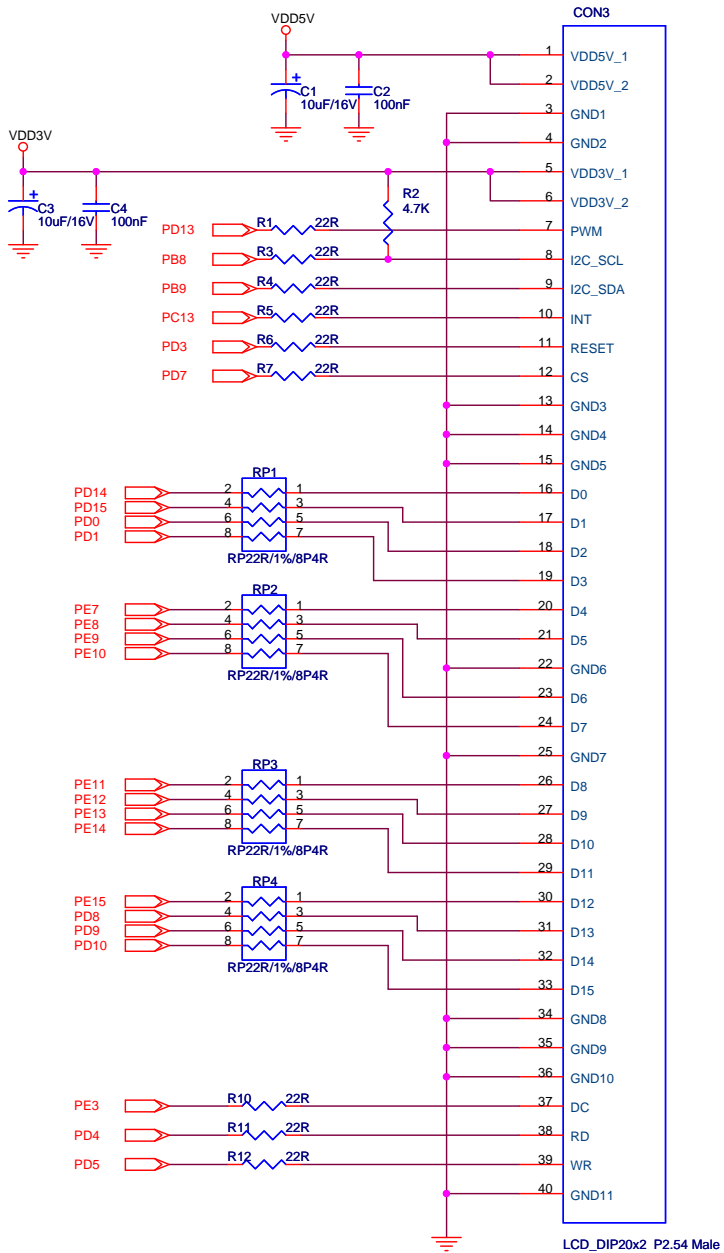
### Embest Technology Co., LTD

Title			
STM32F4DIS-BB - Rev History & Block Diagram			
Size	Document Number	Rev	
B	STM32F4DIS-BB-001-SH	V1.0	
Date:	Wednesday, October 24, 2012	Sheet	1 of 5



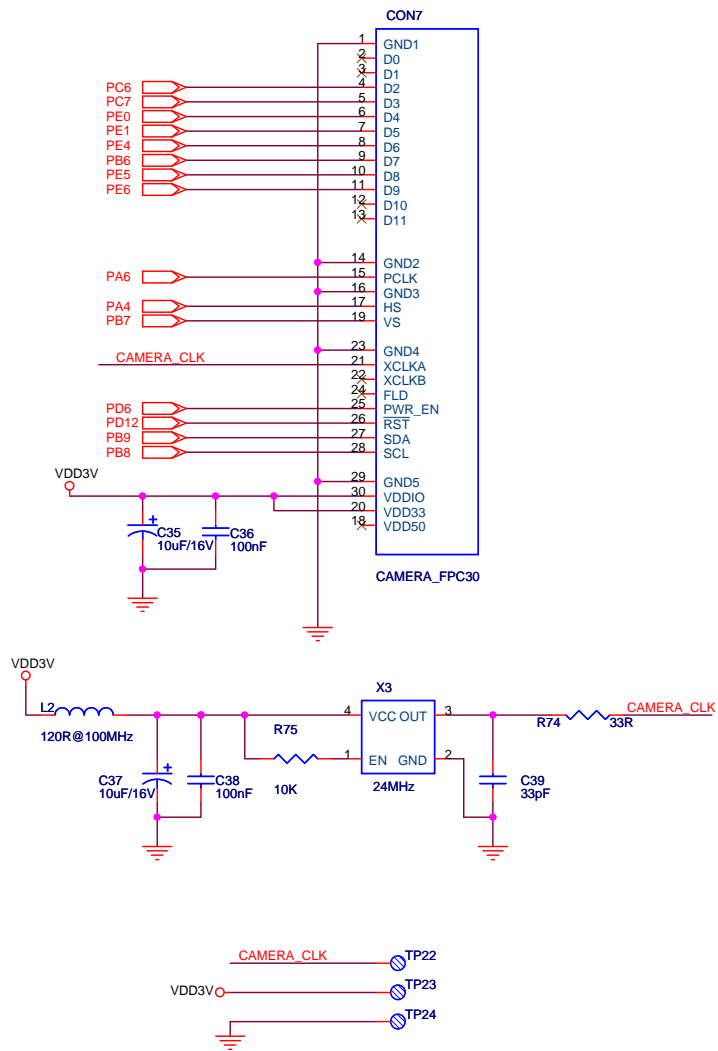
### Headers for STM32F4DISCOVERY

<b>Embest Technology Co., LTD</b>		
Title STM32F4DIS-BB - Interface Headers		
Size B	Document Number <b>STM32F4DIS-BB-001-SH</b>	Rev V1.0
Date:	Wednesday, October 24, 2012	Sheet 2 of 5

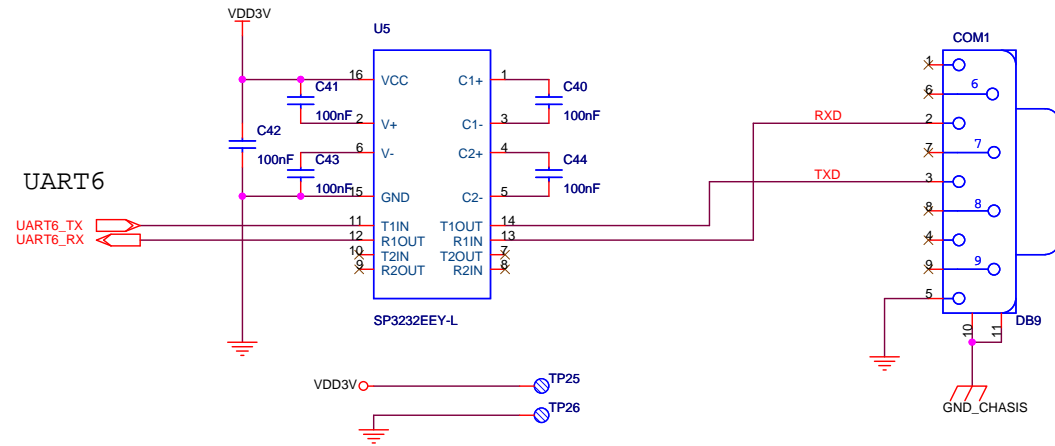




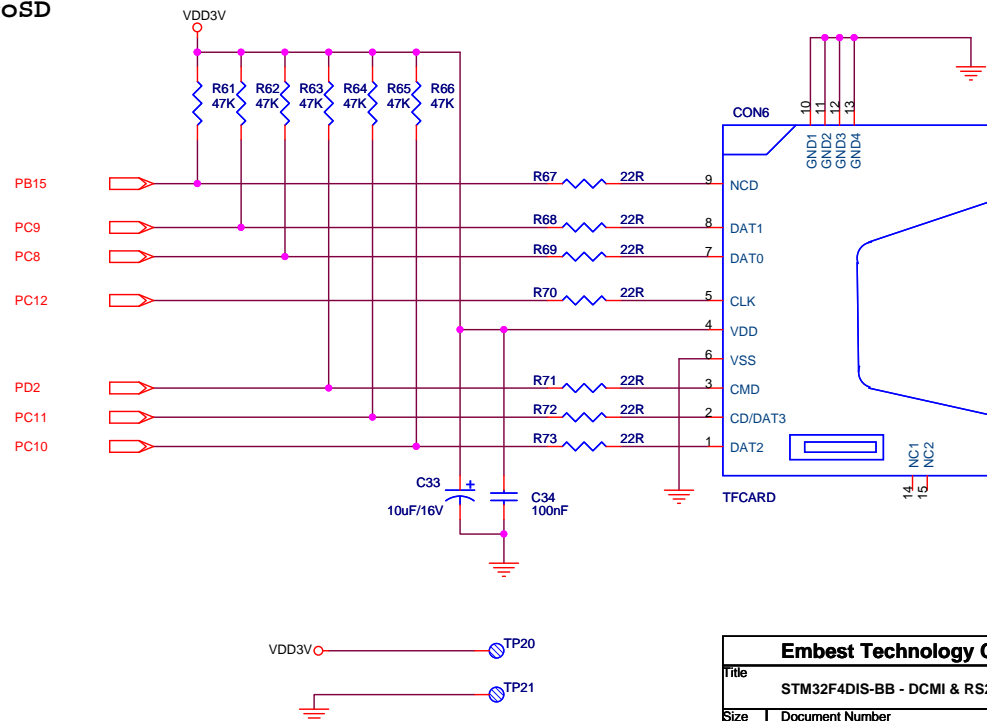
### Digital Camera Interface (DCMI)



### RS232



### MicroSD



**Embest Technology Co., LTD**

Title		
STM32F4DIS-BB - DCMI & RS232 & MicroSD		
Size	Document Number	Rev
B	STM32F4DIS-BB-001-SH	V1.0
Date:	Wednesday, October 24, 2012	Sheet 5 of 5