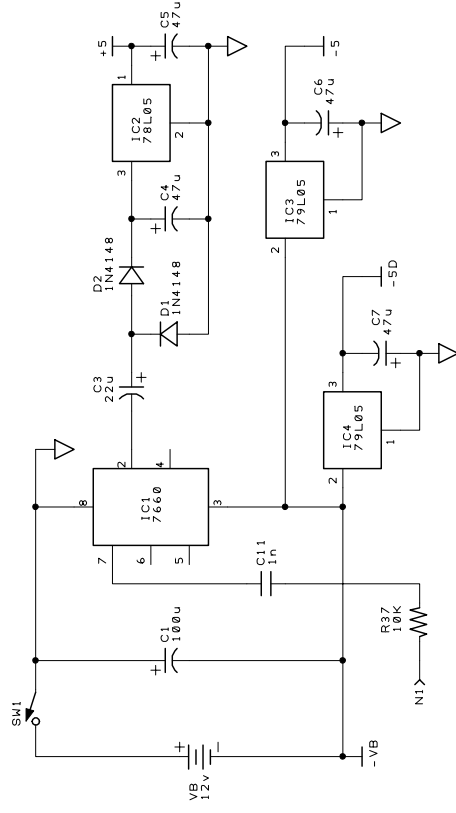
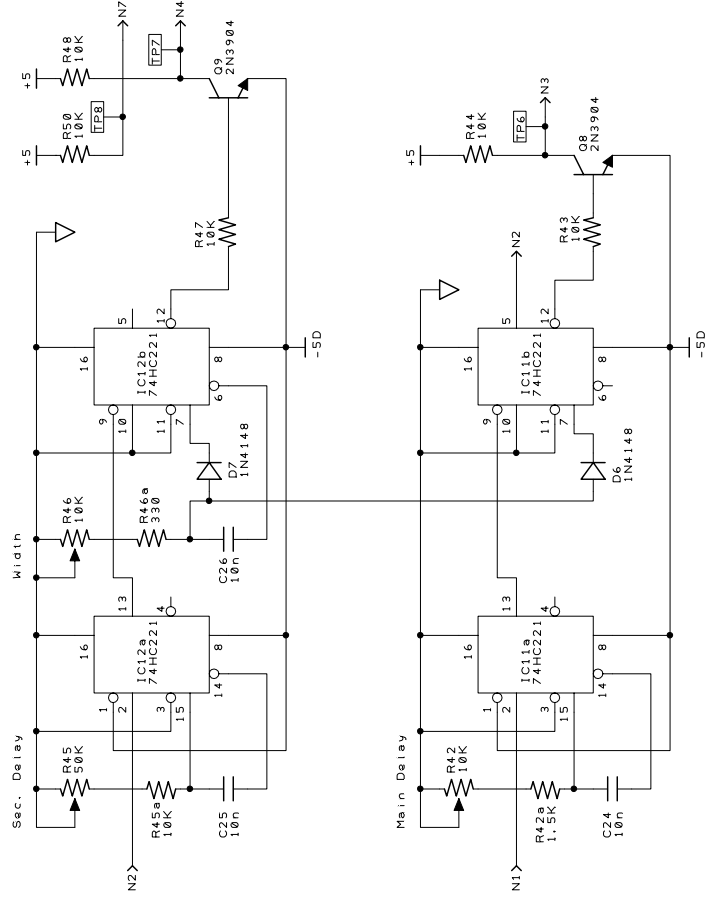


Hammerhead Option 1

Pulse Induction Metal Detector

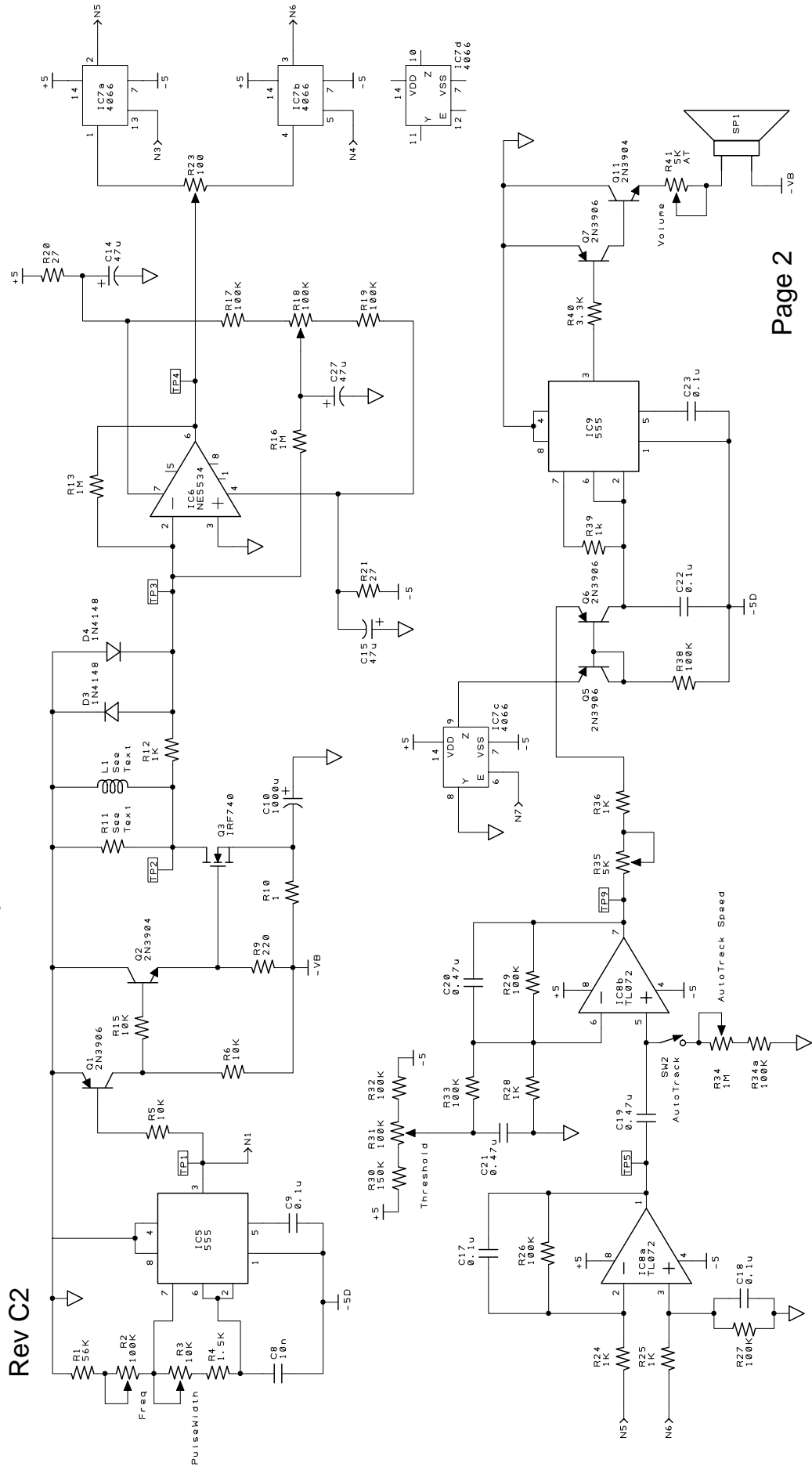
Rev C2 - 31May2006 - Carl Moreland

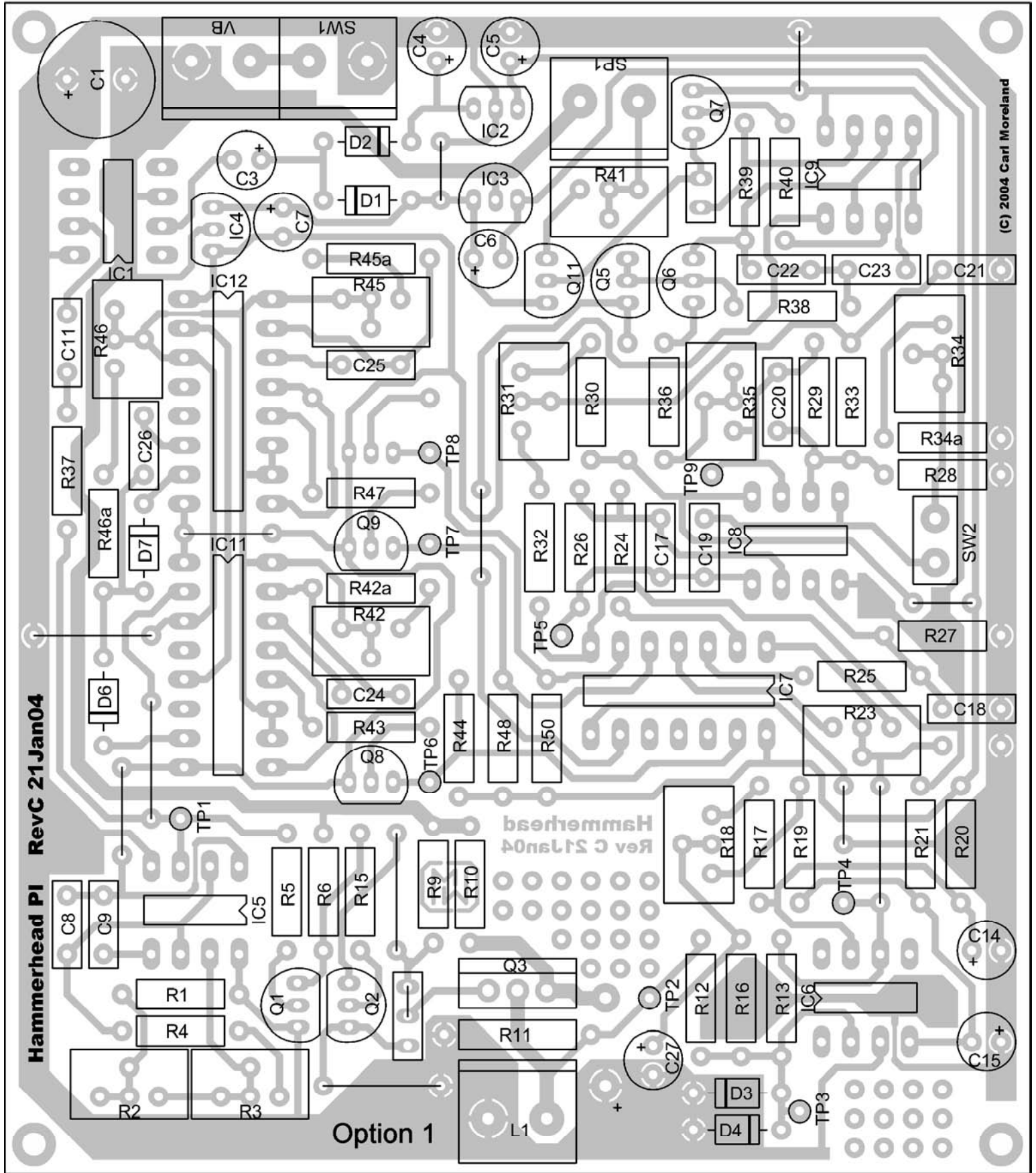


Hammerhead Option 1

Rev C2

Option 1





Option 1