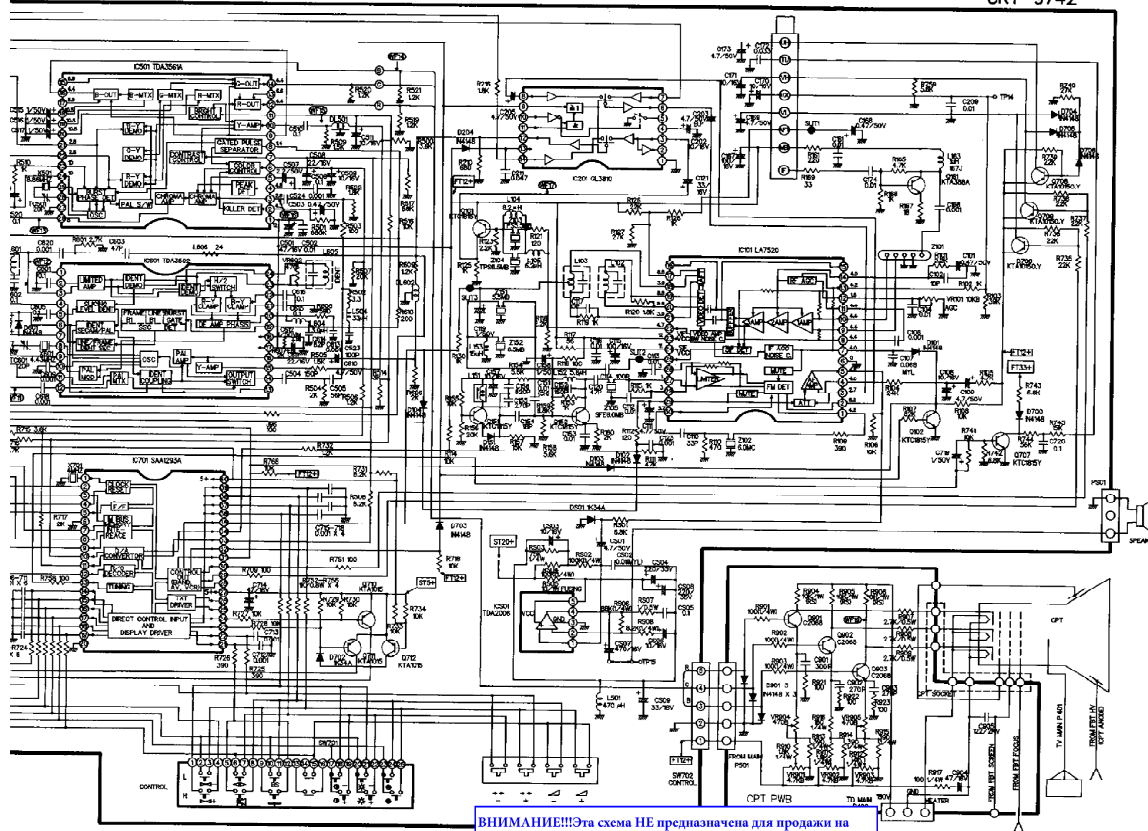
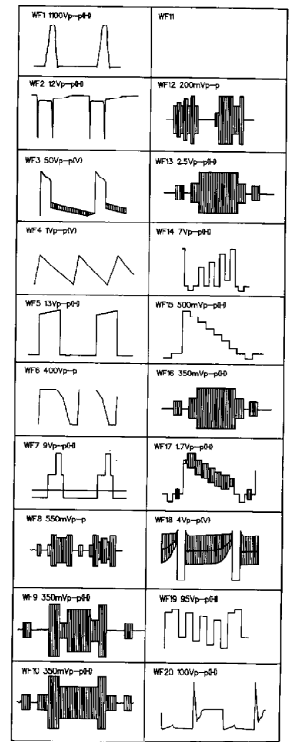


CIRCUIT DIAGRAM PC91A

MODEL : CKT-9745
CKT-9742



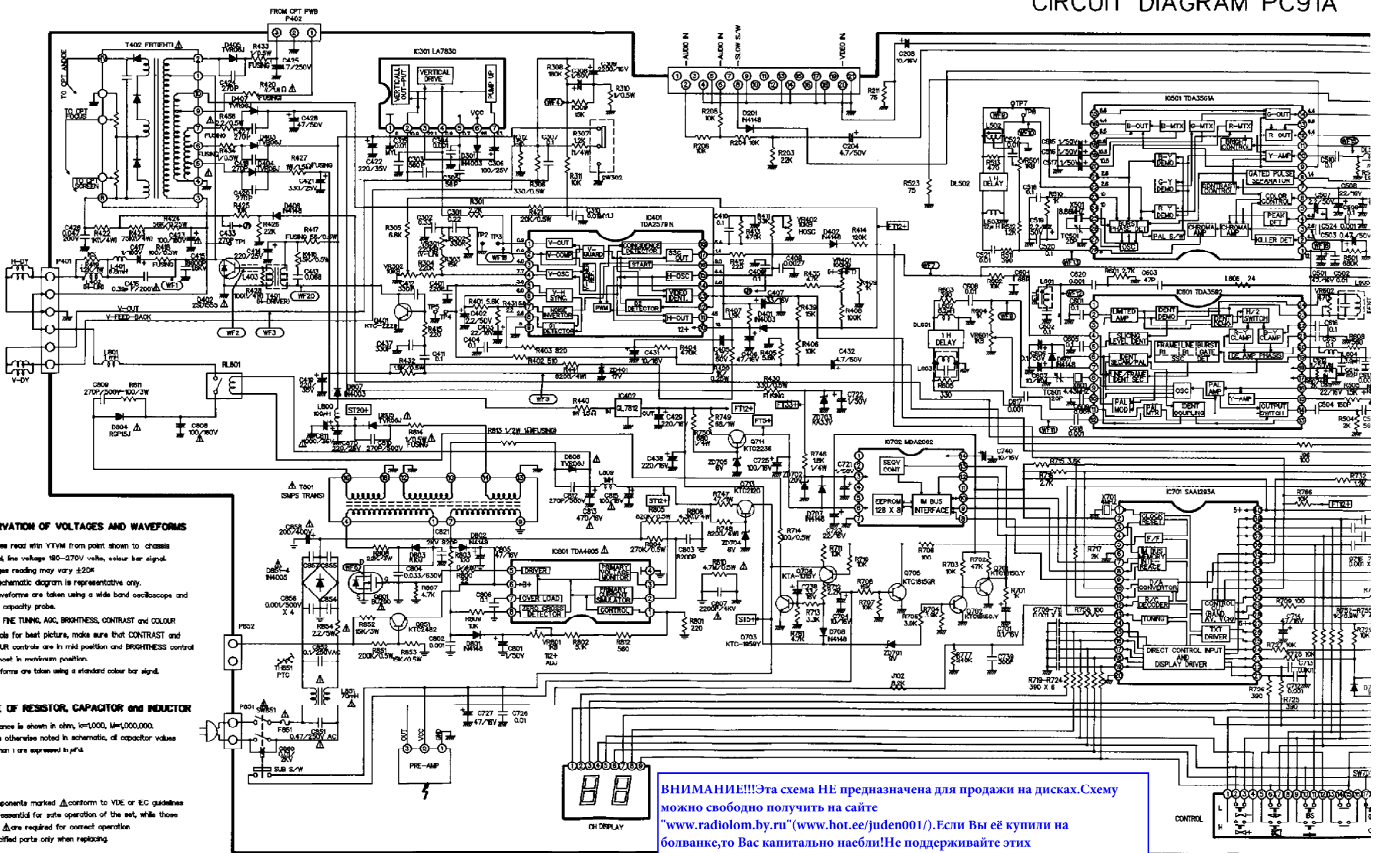
NOTICE
Since this is basic circuit diagram,
the value of components and some partial connection
are subject to be changed for improvement.



P/N : 484-722D

ВНИМАНИЕ!!!Эта схема НЕ предназначена для продажи на дисках.Схему можно свободно получить на сайте www.radiolom.by.ru (www.hot.ee/juden001/).Если Вы её купили на болванке,то Вас капитально наебят!!Не поддерживайте этих пидоров-торговцев краденным!!!
WARNING!!!This scheme not for selling on CD,it's possible

CIRCUIT DIAGRAM PC91A



OBSERVATION OF VOLTAGES AND WAVEFORMS

1. Voltage read with VTVM from point shown to chassis ground, line voltage 180-270V, value per signal.
2. Voltage reading may vary ±20%.
3. This schematic diagram is representative only.
4. All waveforms are taken using a wide band oscilloscope and a low capacity probe.
5. Check FINE TUNE, AGC, BRIGHTNESS, CONTRAST and COLOUR controls for best picture, make sure that CONTRAST and COLOUR controls are in mid position and BRIGHTNESS control is adjusted to maximum position.
6. Waveforms are taken using a standard color bar signal.

VALUE OF RESISTOR, CAPACITOR AND INDUCTOR

1. Resistance is shown in ohms, 10K, 100K, 1M, 1000, 10000.
2. Unless otherwise noted in schematic, all capacitor values are in pF, unless specified in µF.

The components marked Δ conform to VEC or EC guidelines and are essential for safe operation of the set, while those marked Δ are required for correct operation. Use specified parts only when replacing.

ВНИМАНИЕ!!!!Эта схема НЕ предназначена для продажи на дисках.Схему можно свободно получить на сайте "www.radiolom.by.ru" (www.hot.ee/juden001/).Если Вы её купили на болванке,то Вас капитально наебали!Не поддерживайте этих пидоров-торговцев краденным!!!
WARNING!!!!This scheme not for selling on CD,its possible liberally get on put www.radiolom.by.ru.If You have sold this scheme on CD,that You have well defrauded.Do Not buy the thieved belongings!The Death thief!