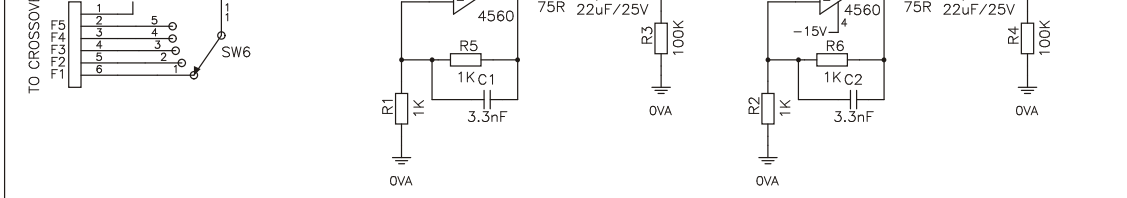
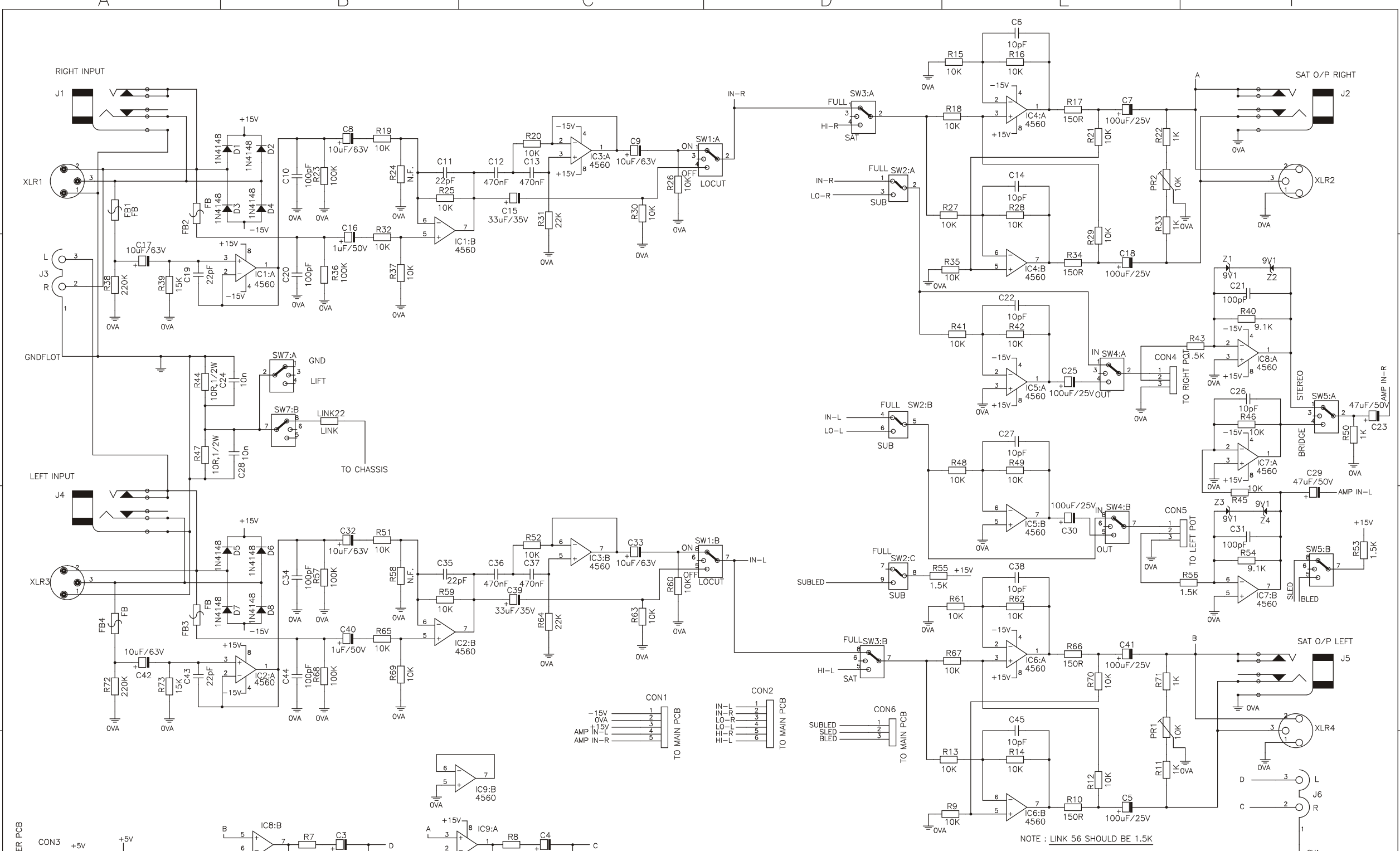
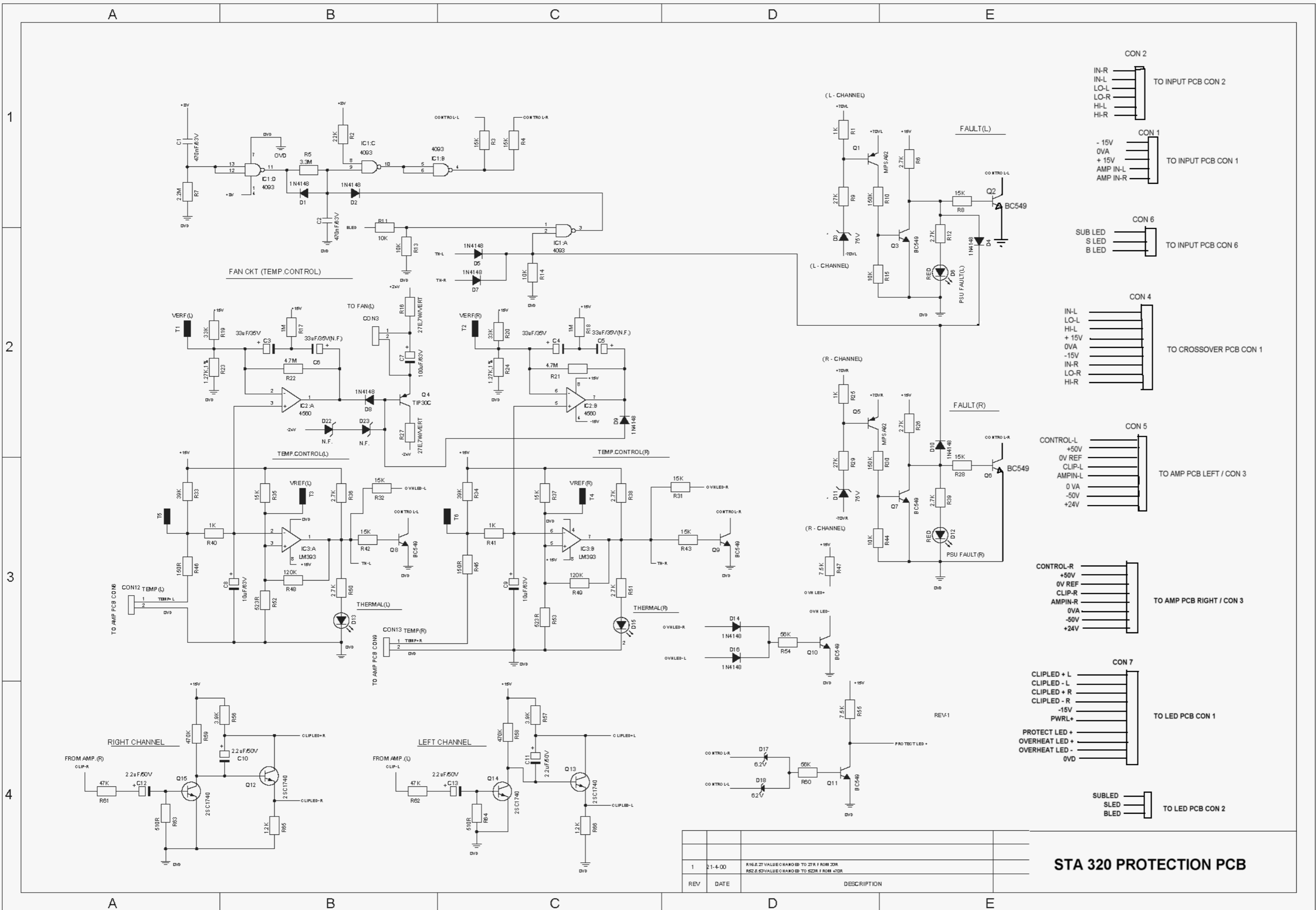


MODEL	STIA320	Title SCHEMATIC FOR CROSSOVER PCB		
PCBNO	9803070	Size	Number	Rev
DES' BY	Surajit	A3	9803069	
CHK' BY		Date	28.11.98	Drawn by Surajit
APPD' BY		Filename	CROSS.S01	Sheet 2 of 2



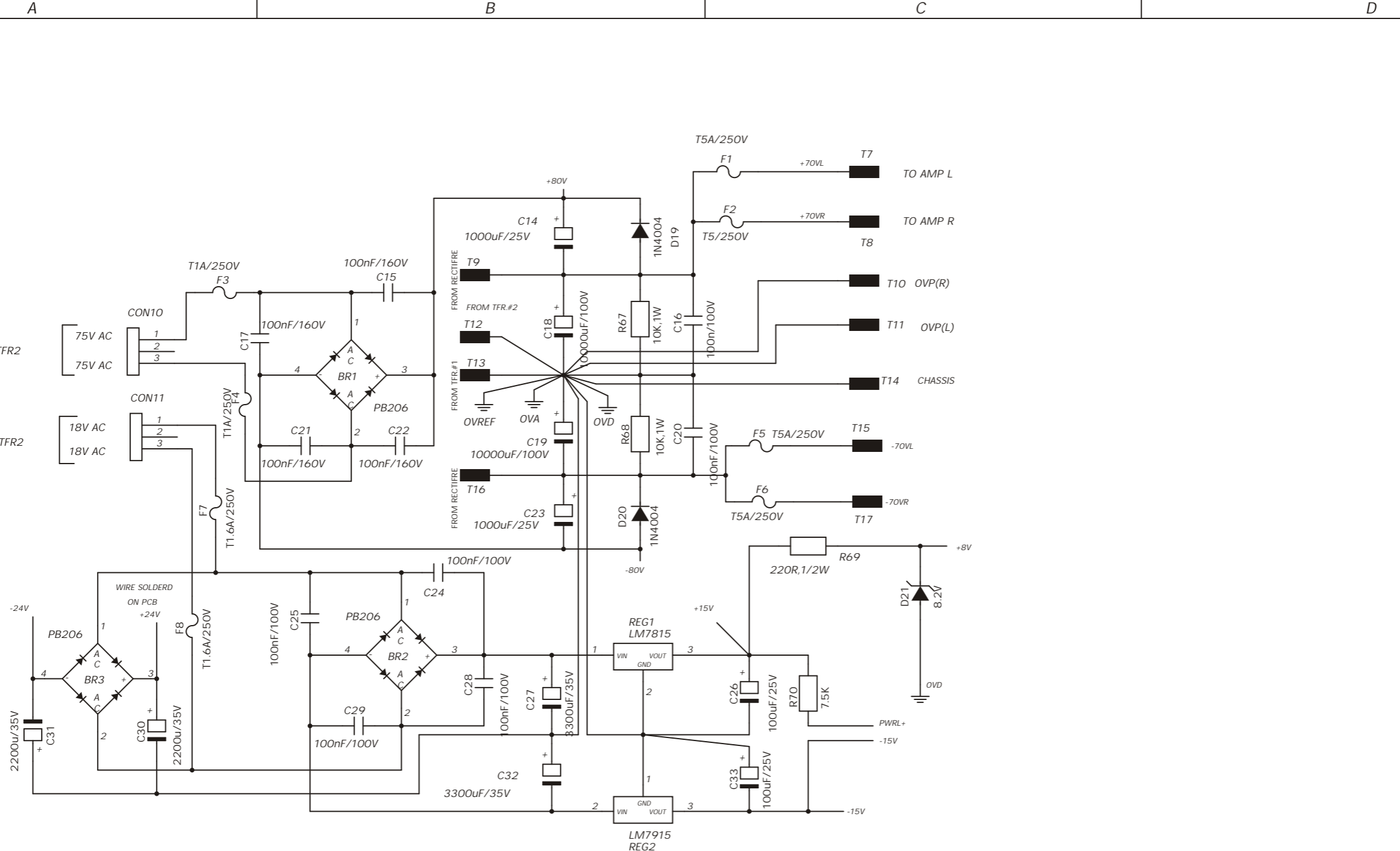
REV	DATE	DESCRIPTION	SIGN	MODEL	PCBNO	DES' BY	CHK' BY	APPD' BY	STA-320	Title	Size	Number	Rev
3	20.12.00	R53 WAS LINK			PCBUTA22-5	Surajit				SCHMATIC FOR INPUT PCB	A2	PCBUTA22	3
2	21.4.00	D1 TO D8 (1N4148) & Z1 TO Z22 (9.1V) ADDED											
										Date	4.2.99	Drawn by	Surajit
										Filename	INP.S01	Sheet	1 of 5

NOTE : LINK 56 SHOULD BE 1.5K



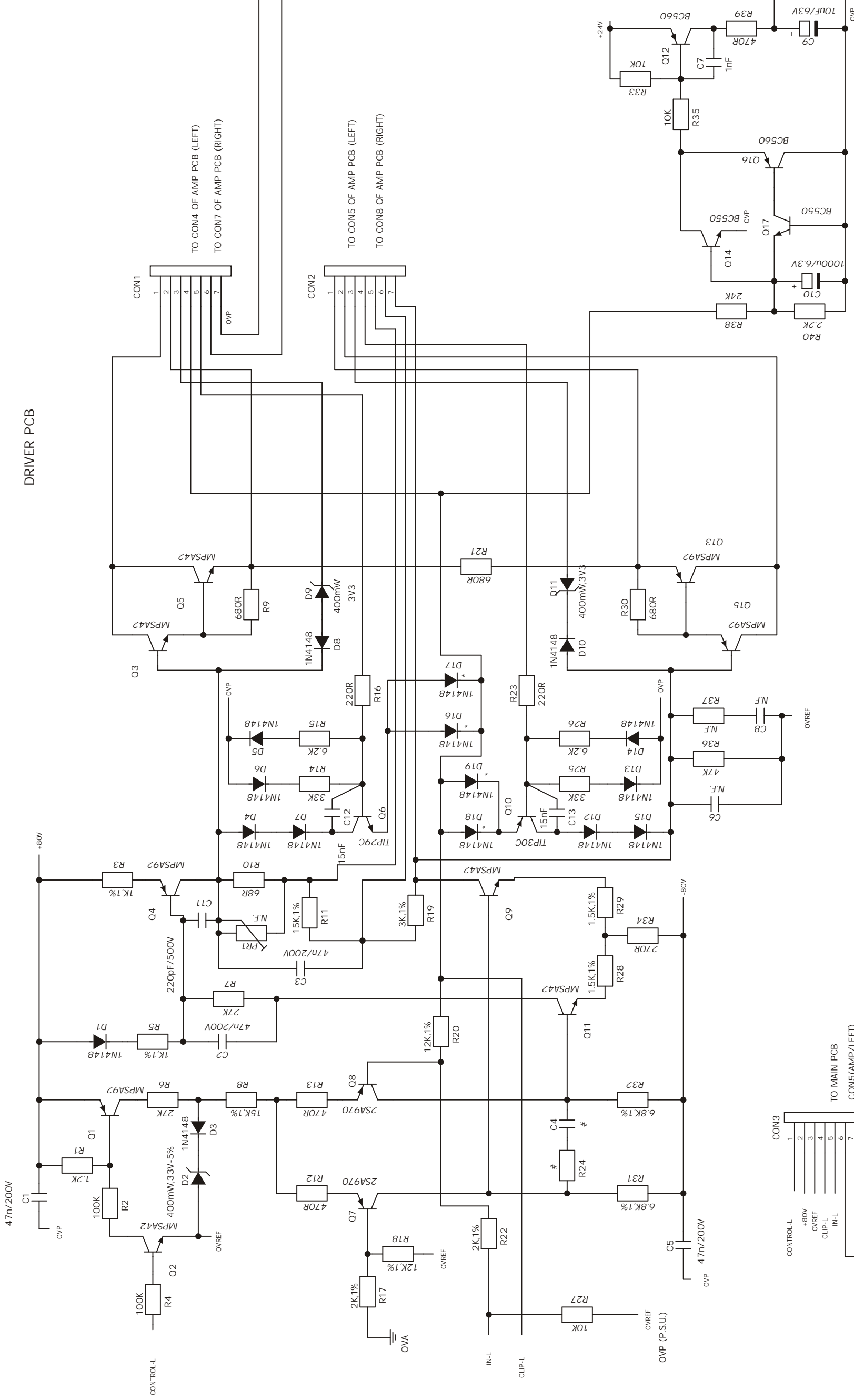
REV	DATE	DESCRIPTION
1	21-4-00	R16 & 27 VALUE MARKED TO 27K FROM 33K R52 & 53 VALUE MARKED TO 52K FROM 47K

### STA 320 PROTECTION PCB



				MODEL	STA-320	Title:- SCHEMATIC FOR POWER SUPPLY PCB		
						Size	Drg.Number:-	Rev
1	21-4-00	F7 & F8 VALUE CHANGE TO 1.6A FROM 1A		PCBNO	9807002-3	9807001		
REV	DATE	DISCRIPTION	SIGN	DES' BY	Surajit	Date:-	21.4.00	Drawn by:-
				APPD'BY		Filename:-	POW-OP.S02	Sheet 2 Of 2

DRIVER PCB



REV.	DATE	DESCRIPTION	ENGG SIGN	DRN BY	APPD BY	DES: BY	PCBNO	Size	Drg.Number:-	Rev
3	21/04/00	O6 & O10 CHANGED TO TIP29C & TIP30C FROM BC549 & BC559 RESP.								
2	7/10/99	C12 AND C13 ADDED								
4	24/1/02	D16,D17,D18 & D19 ADDED FROM TRACK SIDE								

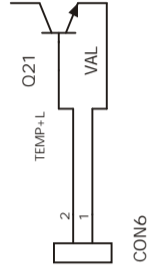
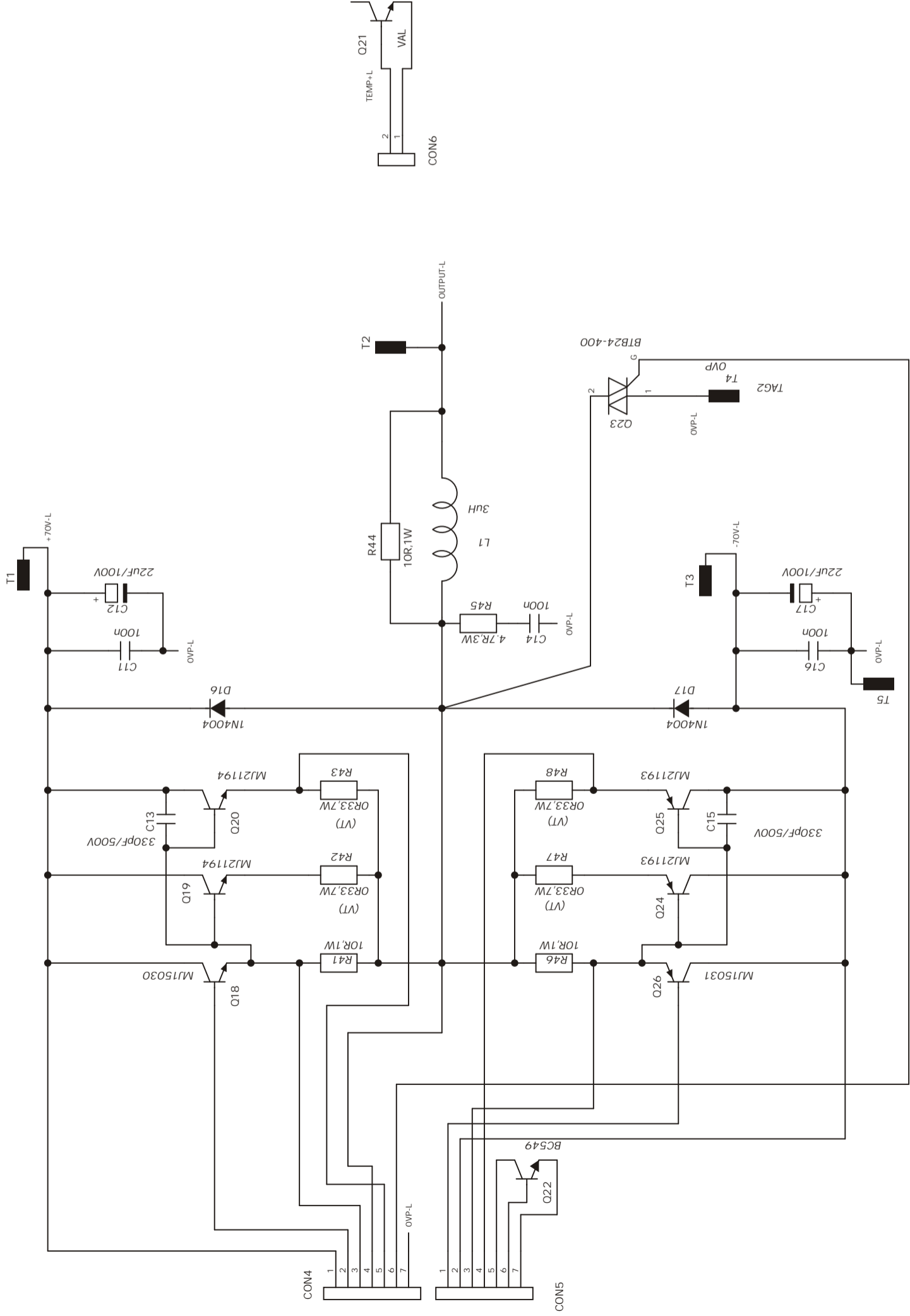
REV.	DATE	DESCRIPTION	ENGG SIGN	DRN BY	APPD BY	DES: BY	PCBNO	Size	Drg.Number:-	Rev
1	07/10/99						9806045-4		9806044	4

NOTE:-

\* MARKED COMPONENT MOUNTED FROM TRACK SIDE

STA-320  
Title:- SCHEMATIC FOR DRV PCB

POWER AMPLIFIER(LEFT CHANNEL)

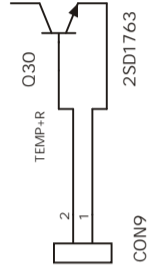
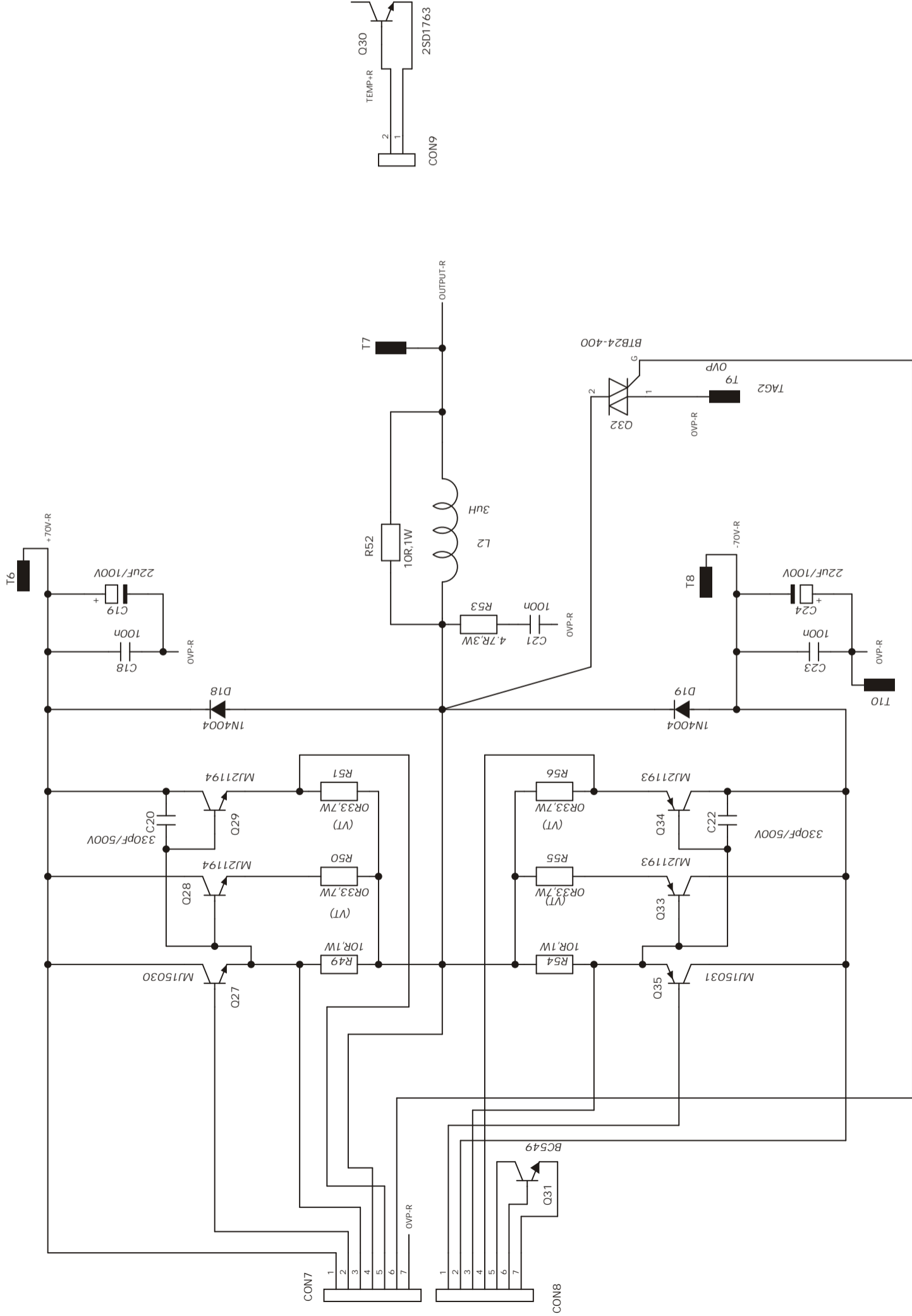


REV.	DATE	DESCRIPTION	ENG SIGN	DRN BY	APP'D BY
2	23/02/02	Q19,Q20,Q28 & Q29 CHANGE FROM MJ15022 TO MJ21194 & Q24,Q25-Q33 & Q34 CHANGE FROM MJ15023 TO MJ21193	SHRI	SHRI	SHRI
1	21-4-00	Q18 & Q26 CHANGE TO MJ15030 & MJ15031 FROM 2SC4793 & 2SA1837	SHRI	SHRI	SHRI

STA-320	MODEL	Size	Date:-	Filename:-	Sheet	1 Of
		9806043	23/2/02	NEWAMP1_S01	1	2

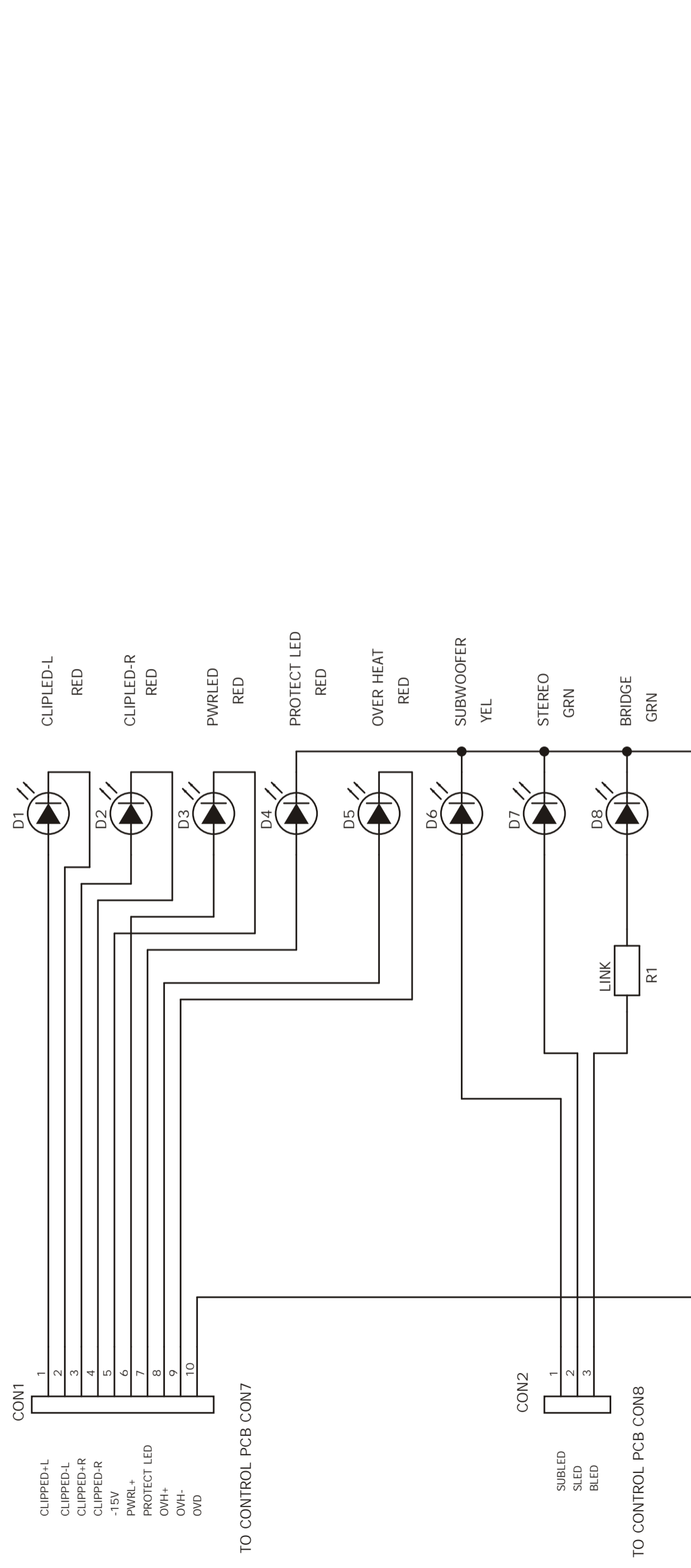
Title:- SCHEMATIC FOR AMP PCB  
 Drg.Number:- 9806042  
 Drawn by:- Shrikant  
 Date:- 23/2/02  
 Filename:- NEWAMP1\_S01  
 Sheet 1 Of 2

POWER AMPLIFIER(RIGHT CHANNEL)



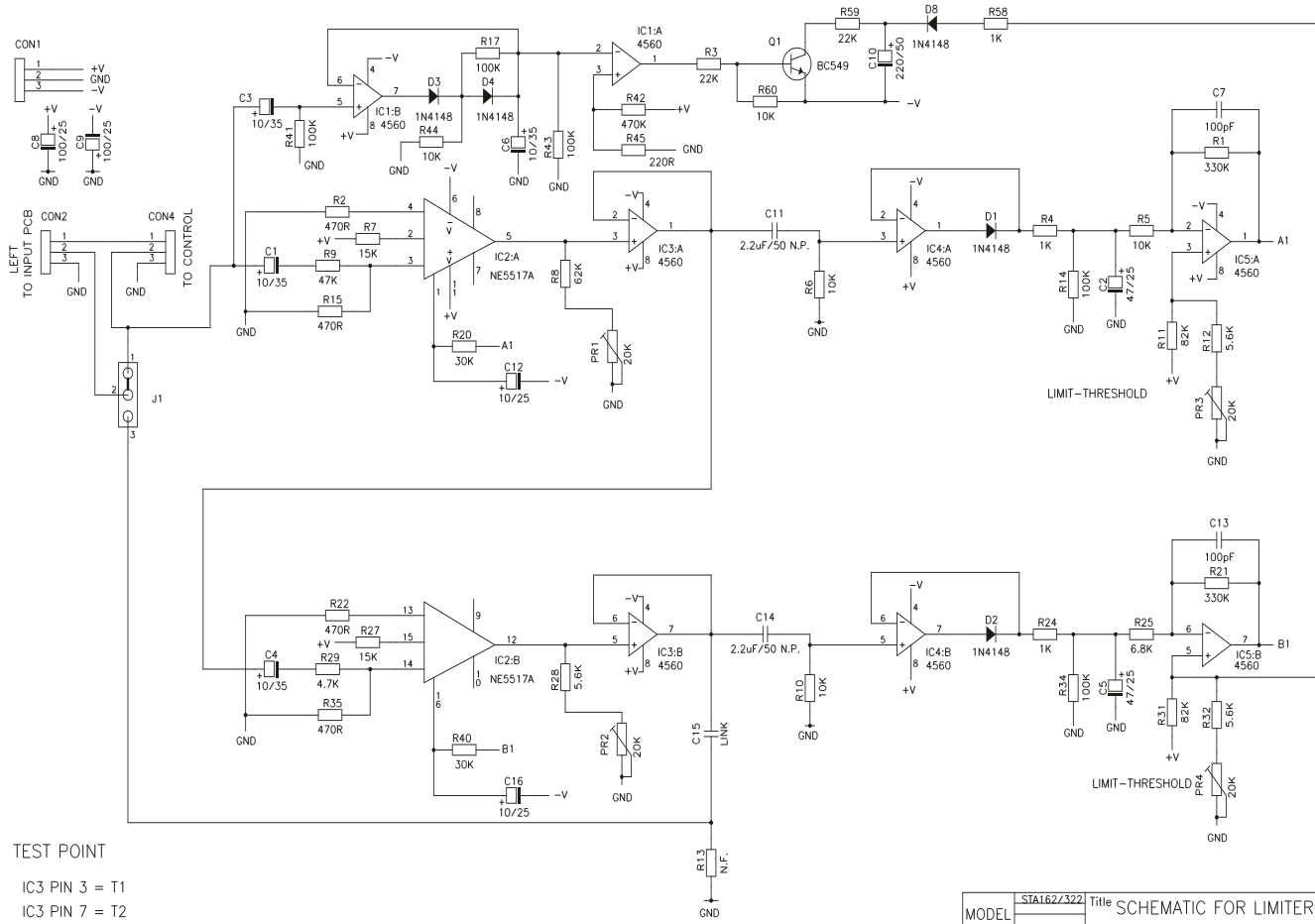
REV.	DATE	DESCRIPTION	ENG SIGN	DRN BY	DES. BY	PCBNO	Size	Title:-
2	23/02/02	Q19,Q20,Q28 & Q29 CHANGE FROM MJ15022 TO MJ21194 & Q24,Q25,Q33 & Q34 CHANGE FROM MJ15023 TO MJ21193		SHRI	SHRI	9806043	9806043	SCHEMATIC FOR AMP PCB
1	21-4-00	Q27 & Q35 CHANGE TO MJ15030 & MJ15031 FROM 2SC4793 & 2SA1837		SHRI	SHRI	9806043	9806042	

REV.	DATE	DESCRIPTION	ENG SIGN	DRN BY	DES. BY	PCBNO	Size	Title:-
2	23/02/02	Q19,Q20,Q28 & Q29 CHANGE FROM MJ15022 TO MJ21194 & Q24,Q25,Q33 & Q34 CHANGE FROM MJ15023 TO MJ21193		SHRI	SHRI	9806043	9806043	SCHEMATIC FOR AMP PCB
1	21-4-00	Q27 & Q35 CHANGE TO MJ15030 & MJ15031 FROM 2SC4793 & 2SA1837		SHRI	SHRI	9806043	9806042	



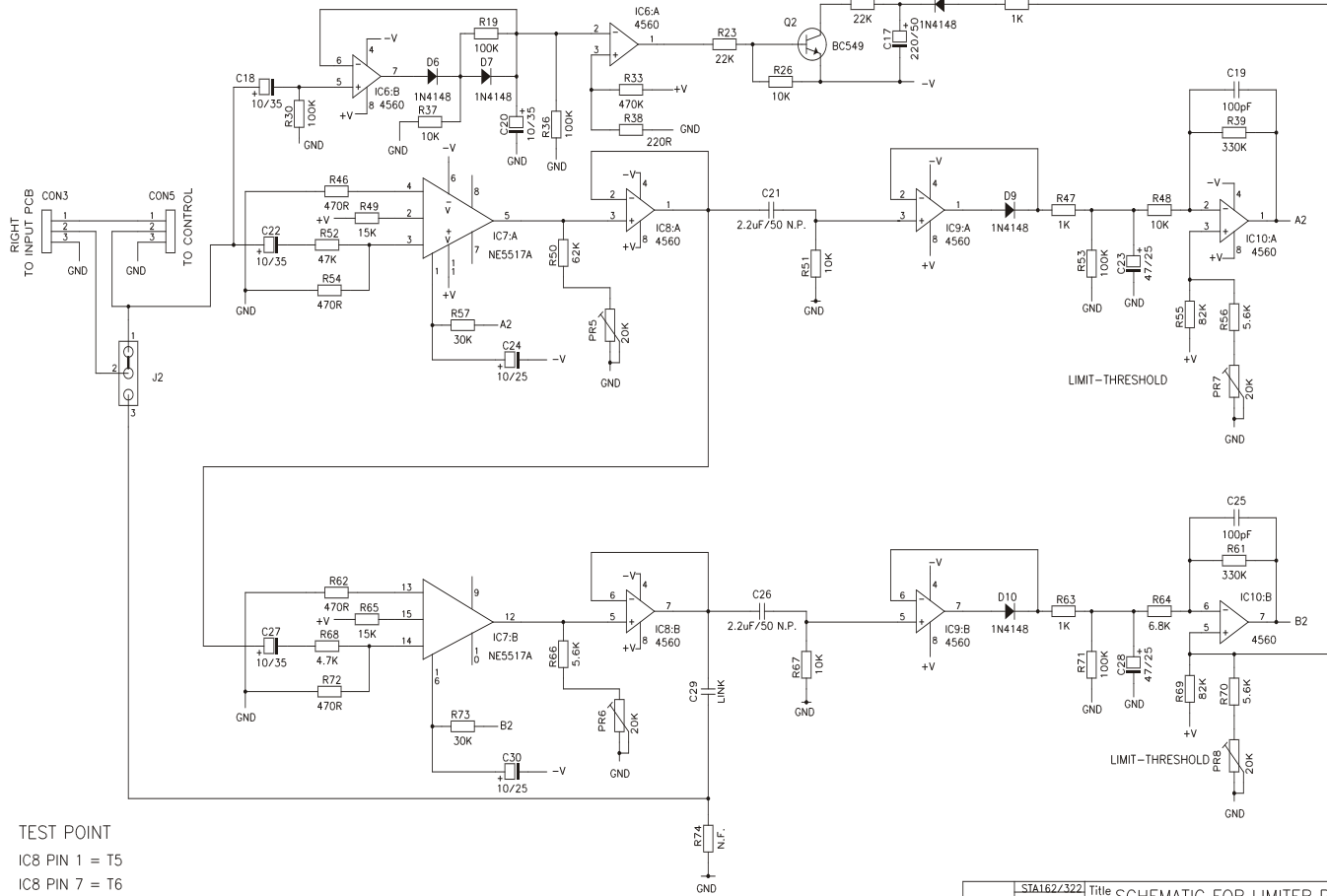
1	06/1/01	RESISTOR R1 CHANGED TO LINK	SPS	STA-320	LED CIRCUIT	Size	Rev
1	23/1/99	RESISTOR R1 ADDED	SPS	9803068-1	9803067	Drg.Number:-	2
P1	25/5/98	PIN 5 AND 6 OF CON1 INTERCHANGE	SPS			Date:-	22/4/98
REV.	DATE	DESCRIPTION	DRN BY	DES' BY	APPD'BY	Filename:-	LED.S01
			ENGG SIGN			Drawn by:-	Shrikant
						Sheet	Of
						REVISED DATE:-	06\01\2001





TEST POINT  
 IC3 PIN 3 = T1  
 IC3 PIN 7 = T2  
 IC5 PIN 3 = T3  
 IC5 PIN 5 = T4

MODEL	ST162Z/322		Title	SCHEMATIC FOR LIMITER PCB	
PCBNO	PCBUWA22-0	Size	A3	Number	PCBUWA22
DES' BY	Surajit			Rev	0
CHK' BY		Date	29.4.03	Drawn by	Surajit
APP'D'BY		Filename	LAA.S01	Sheet	1 of



TEST POINT

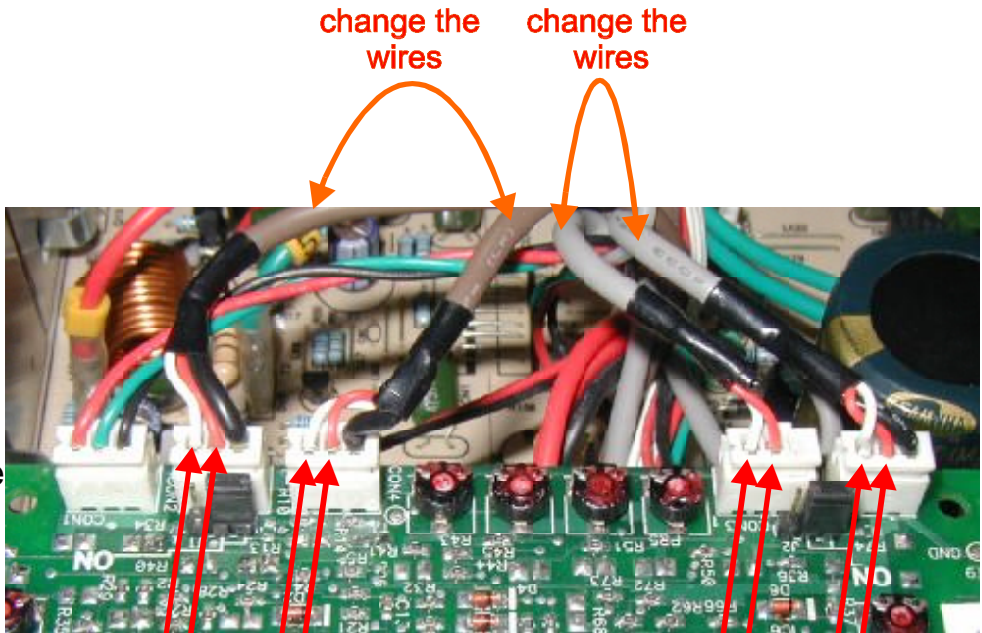
- IC8 PIN 1 = T5
- IC8 PIN 7 = T6
- IC10 PIN 3 = T7
- IC10 PIN 5 = T8
- GROUND TEST PIN = T9

MODEL	ST1A16Z/32Z	Title	SCHEMATIC FOR LIMITER PCB		
PCBNO	PCBUWA22-0	Size	A3	Number	PCBUWA22
DES' BY	Surajit	Date	29.4.03	Drawn by	Surajit
CHK' BY		Filename	LAA:S02	Sheet	2 of
APPD'BY					

# Modification for the STA-162 Limiter wiring

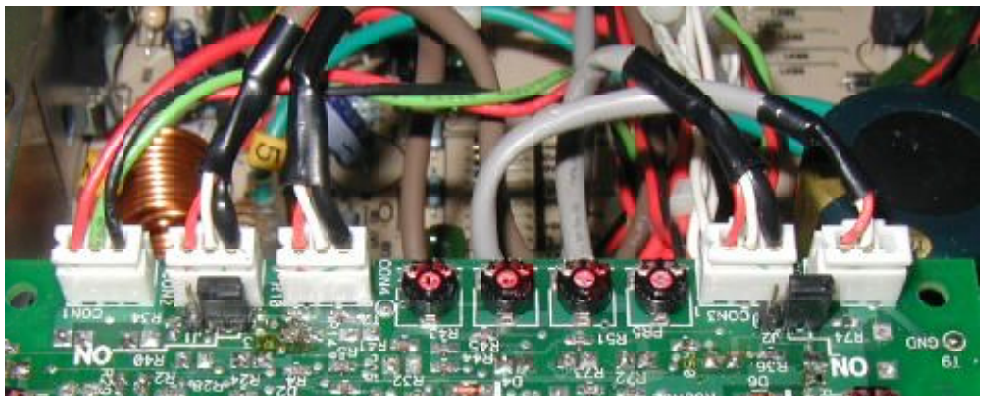
With this modification the limiter circuit will be set before the volume control.

This picture shows the circuit **before** the change

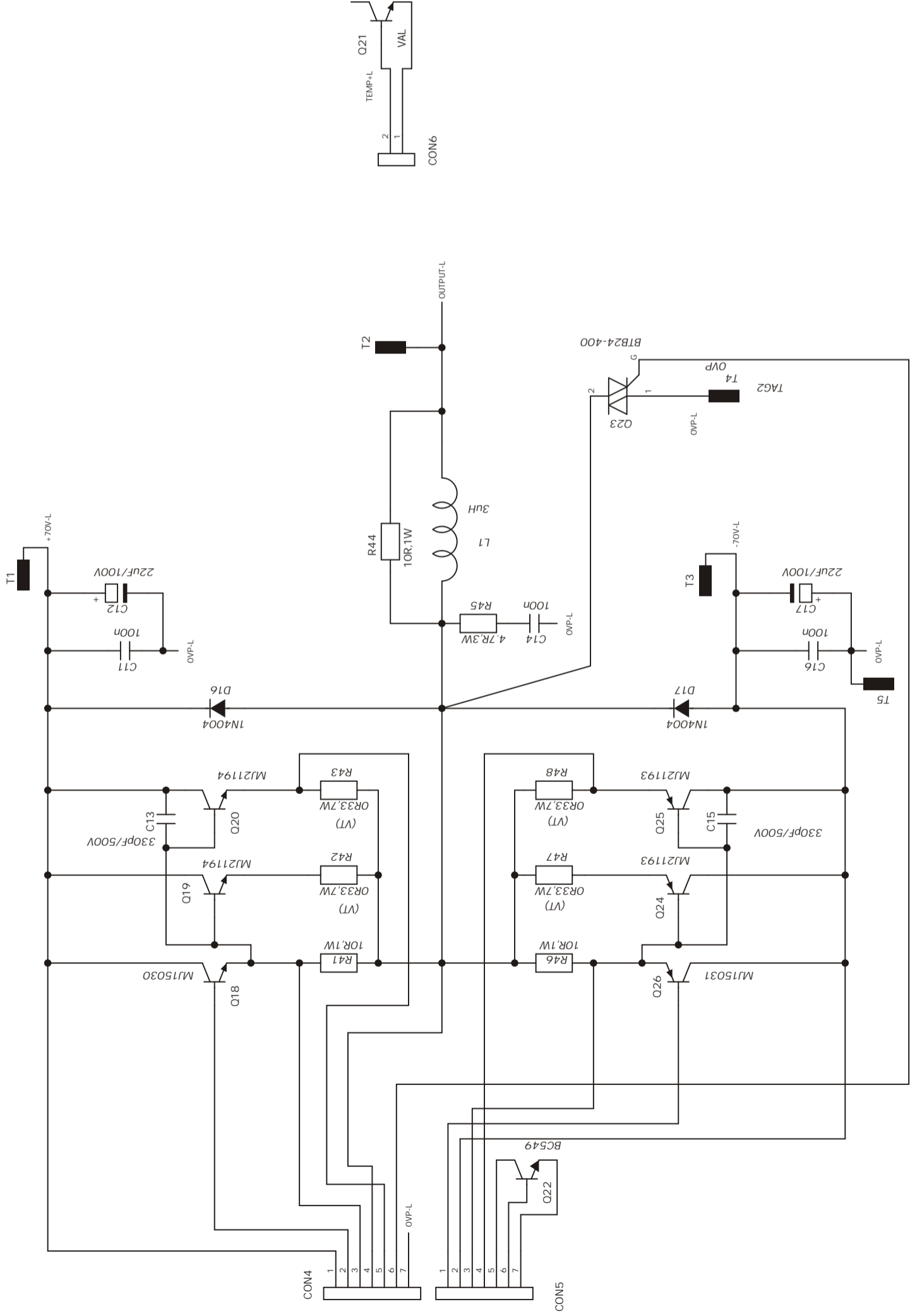


change the red and the white wire in every connector

This picture shows the circuit **after** the change



POWER AMPLIFIER(LEFT CHANNEL)

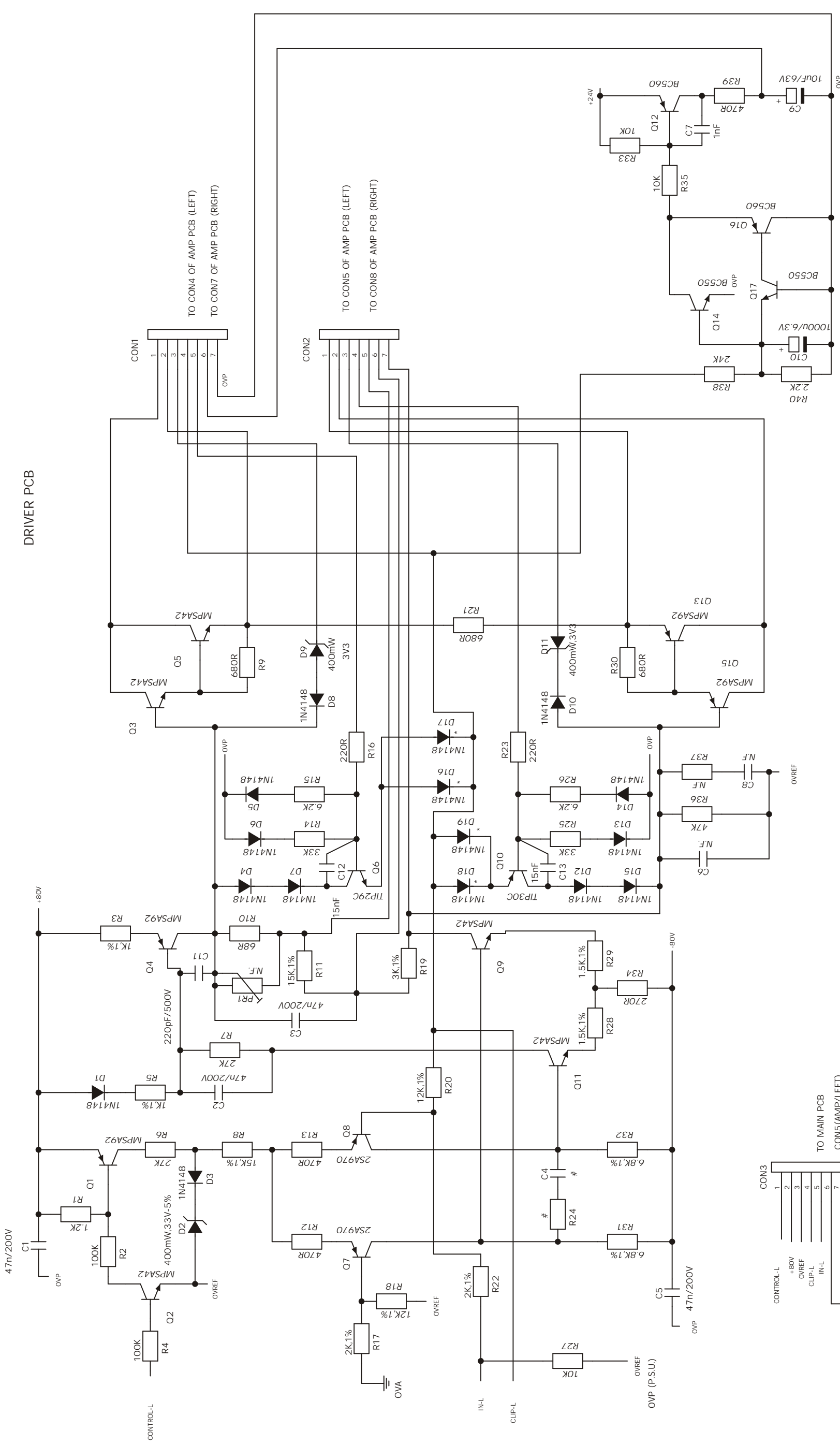


REV.	DATE	DESCRIPTION
2	23/02/02	O19,Q20,Q28 & Q29 CHANGE FROM MJ15022 TO MJ21194 & Q24,Q25-Q33 & Q34 CHANGE FROM MJ15023 TO MJ21193
1	21-4-00	O18 & O26 CHANGE TO MJ15030 & MJ15031 FROM 2SC4793 & 2SA1837

STA-320	MODEL	Size	Date:-	Filename:-	Sheet	Of
	SHRI	9806043	23/2/02	NEWAMP1_S01	1	2
	SHRI	9806043				

SCHEMATIC FOR AMP PCB  
9806042  
Strikant  
Drawn by:-  
Date:-  
File name:-

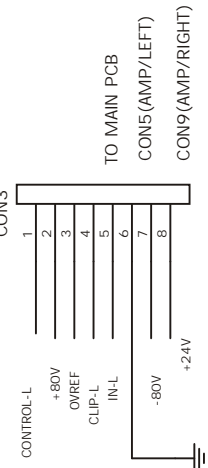
DRIVER PCB



REV.	DATE	DESCRIPTION	ENGG SIGN	DRN BY	APPD BY	DES: BY	PCBNO	Size	Drg.Number:-	Rev
3	21/04/00	O6 & O10 CHANGED TO TIP29C & TIP30C FROM BC549 & BC559 RESP.								
2	7/10/99	C12 AND C13 ADDED								
4	24/1/02	D16, D17, D18 & D19 ADDED FROM TRACK SIDE								

REV.	DATE	DESCRIPTION	ENGG SIGN	DRN BY	APPD BY	DES: BY	PCBNO	Size	Drg.Number:-	Rev
3	21/04/00	O6 & O10 CHANGED TO TIP29C & TIP30C FROM BC549 & BC559 RESP.								
2	7/10/99	C12 AND C13 ADDED								
4	24/1/02	D16, D17, D18 & D19 ADDED FROM TRACK SIDE								

NOTE:-  
\* MARKED COMPONENT MOUNTED FROM TRACK SIDE



DRIVER PCB

TO CON4 OF AMP PCB (LEFT)  
TO CON7 OF AMP PCB (RIGHT)

TO CON5 OF AMP PCB (LEFT)  
TO CON8 OF AMP PCB (RIGHT)

CON1  
CON2  
CON3

STA-320  
MODEL  
SPS  
SPS  
SPS

Title:- SCHEMATIC FOR DRV PCB

9806044

07/10/99  
Date:-  
NEWDRV1.S01  
Filename:-

07/10/99  
Date:-  
NEWDRV1.S01  
Filename:-

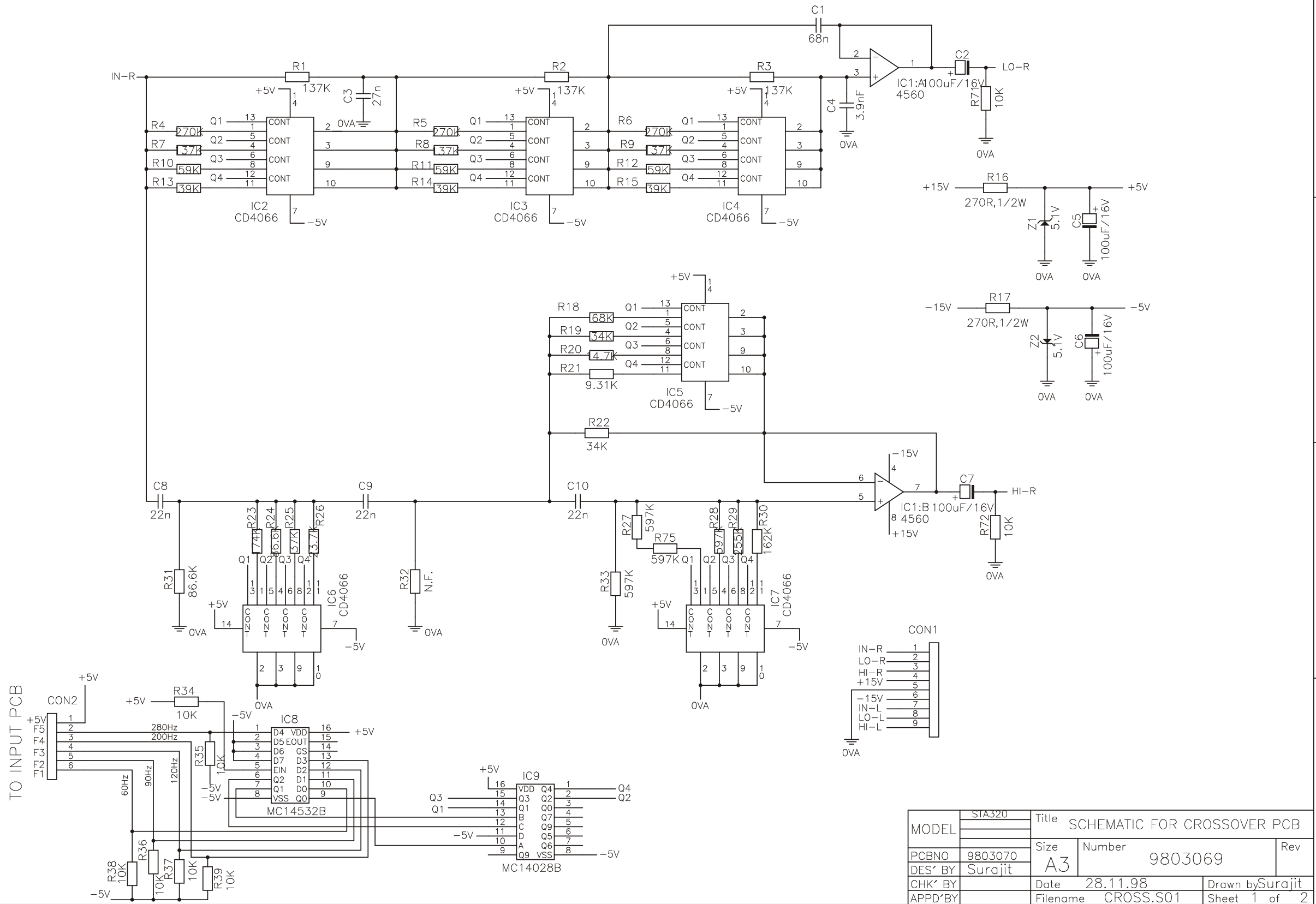
9806045-4  
PCBNO

9806044  
Drg.Number:-

1 Of 1  
Sheet

Shrikant  
Drawn by:-

REVISED DATE:29/3/99



TO INPUT PCB

MODEL	STIA320	Title		SCHEMATIC FOR CROSSOVER PCB	
PCBNO	9803070	Size	A3	Number	9803069
DES' BY	Surajit	Date	28.11.98	Drawn by	Surajit
CHK' BY		Filename	CROSS.S01	Sheet	1 of 2
APPD' BY					