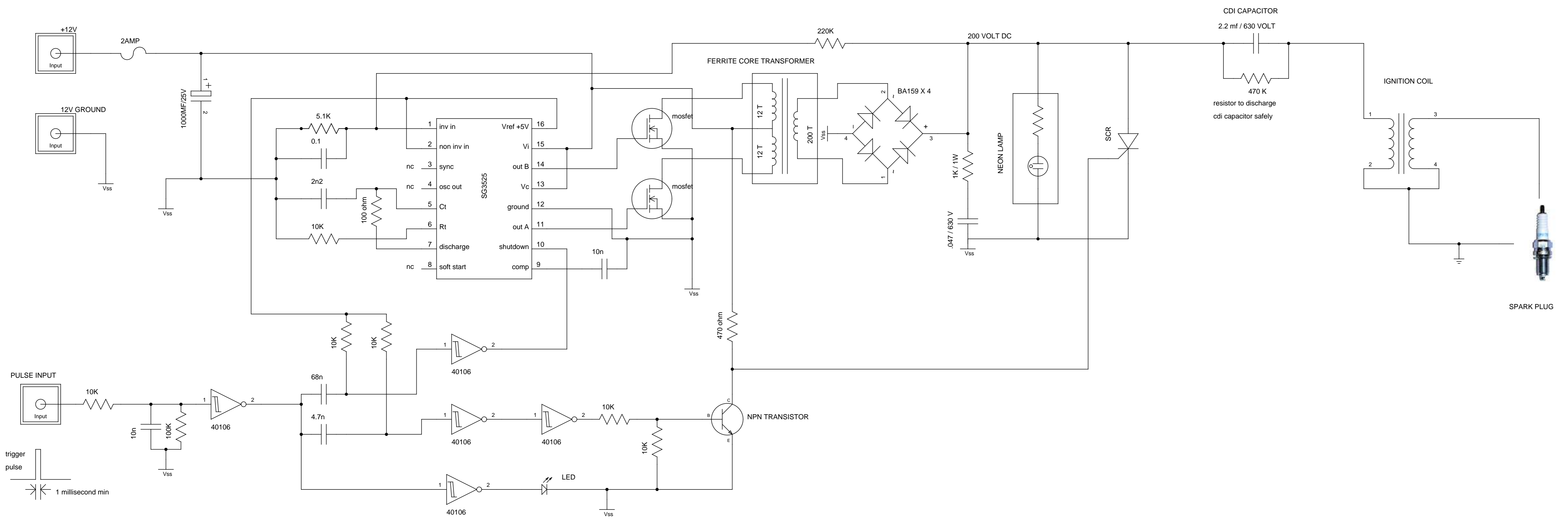


12 VOLT DC CDI



DC CDI DESIGN BY		arvind.athavale@gmail.com	
TITLE			
FILE:	14 DEC 2007	REVISION:	
PAGE:	OF	DRAWN BY:	

drawn using geda-gschem cad software