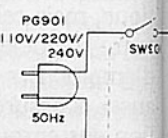
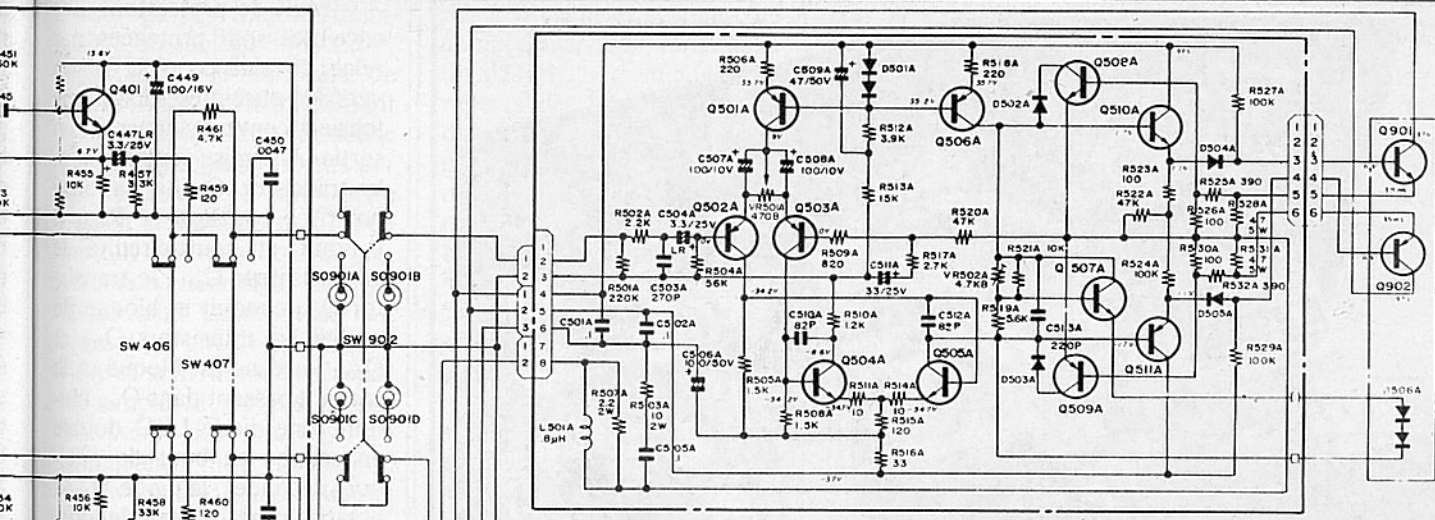


Q301, Q302	2SA836D X 2	Q801 ~ Q803	2SC1213AB X 3
Q303-Q308	2SC1345E X 6	Q804 ~ Q806	2SA673AB X 3
Q309, Q310	2SC1212AB X 2	D807	2SA743B
D301, D302	HV46 X 2	Q808	2SC1212B
		Q809	2SC1212AB
		D801, D802	1S2076 X 2
		D803, D804	HV-46 X 2
		D805	SS-3
		D806	SS-3R
		D807	1S1887
		D808	1S1941
		Z801, Z802	BZ140 X 2

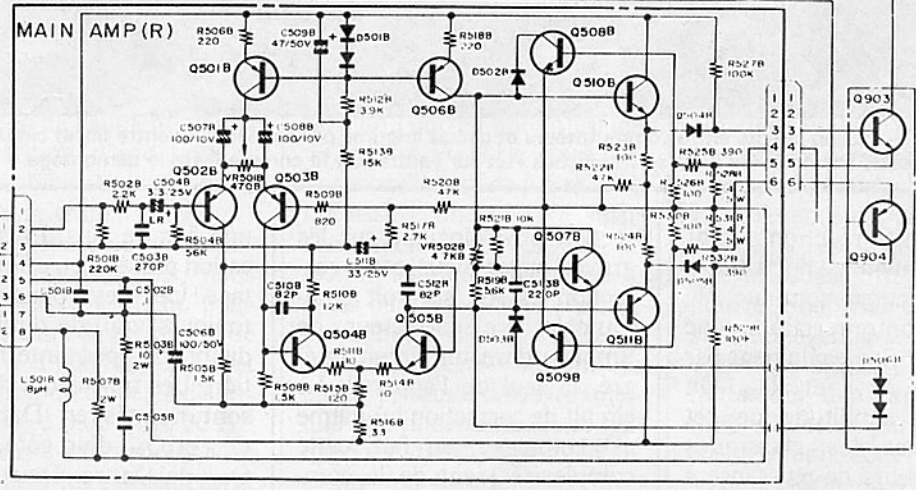
- NOTES
1. ALL RESISTORS ARE SHOWN IN OHMS ±5%
 2. ALL CAPACITORS ARE SHOWN IN MICROFARADS
P = MMF
 3. VOLTAGE READINGS ARE MEASURED WITH VTVM
UNDER NO SIGNAL
 4. SWITCHES ARE SHOWN UNDERLINED POSITION



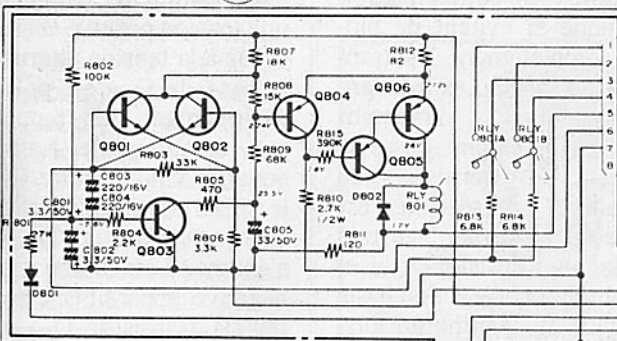


Q401, Q402 2SC1345E X 2

Q501A, B, Q509A, B, 2SA673AB X 4
 Q502A, B, Q503A, B, 2SA836D X 4
 Q504A, B, Q505A, B, Q510A, P, 2SC1212AB X 6
 Q506A, P, Q511A, B, 2SA743AB X 4
 Q507A, B, Q508A, B, 2SC1213AB X 4
 D501A, B, HV-46 X 2
 D502A, B, D503A, B, IS2076 X 4
 D504A, B, D505A, B, IS2348 X 4
 D506A, B, KB365M X 2



AC & RLY UNIT



Q901, Q903 2SC897B X 2
 Q902, Q904 2SA757B X 2
 D901 GL 50RG

NO.	FUNCTION	POSITION
SW301A	C FUNCTION	AUX2 AUX1 PHONO2 PHONO1 TUNER
SW302	MODE	R L - I + R NORMAL - REVERSE
SW401	TURN OVER	600Hz 300Hz
SW402	TURN OVER	1.5KHz 3KHz
SW403	TOPE	VARIABLE DEFEAT
SW404	LOUDNESS	OFF - ON
SW405	AF MUTING	0dB 20dB
SW406	LOWFILTER	OFF - 30Hz
SW407	HIGHFILTER	OFF - 7KHz
SW408A	B	DUBBING-2 TAPE1-SOURCE -TAPE2- DUBBING2-1
SW901	POWER	ON - OFF
SW902	PRE/MAIN	NORMAL- SEPARATED COM
SW903	PHONO2IMP	100KΩ - 47KΩ - 22KΩ
SW904	PHONO1ATT	0dB 6dB
SW905	SPEAKERS	B OFF A - A+B

T 901

