

MAIN PCB NOTES

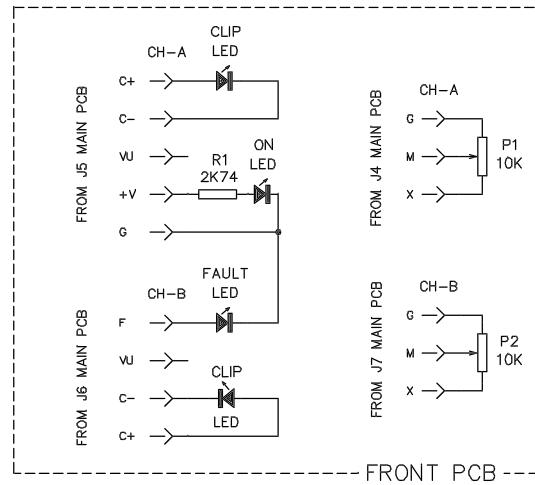
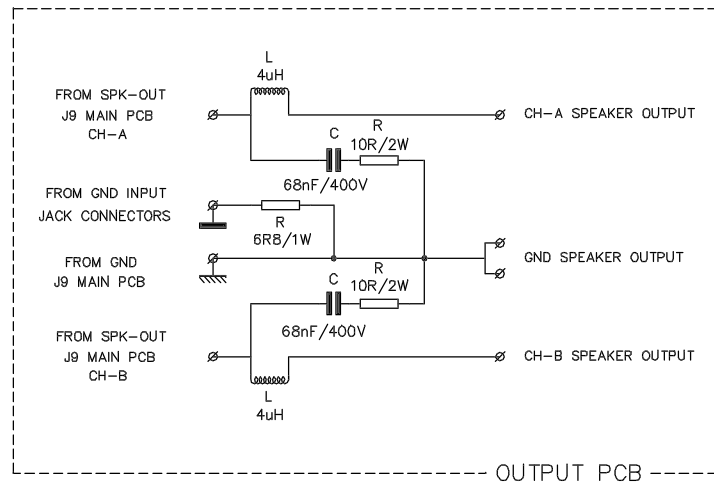
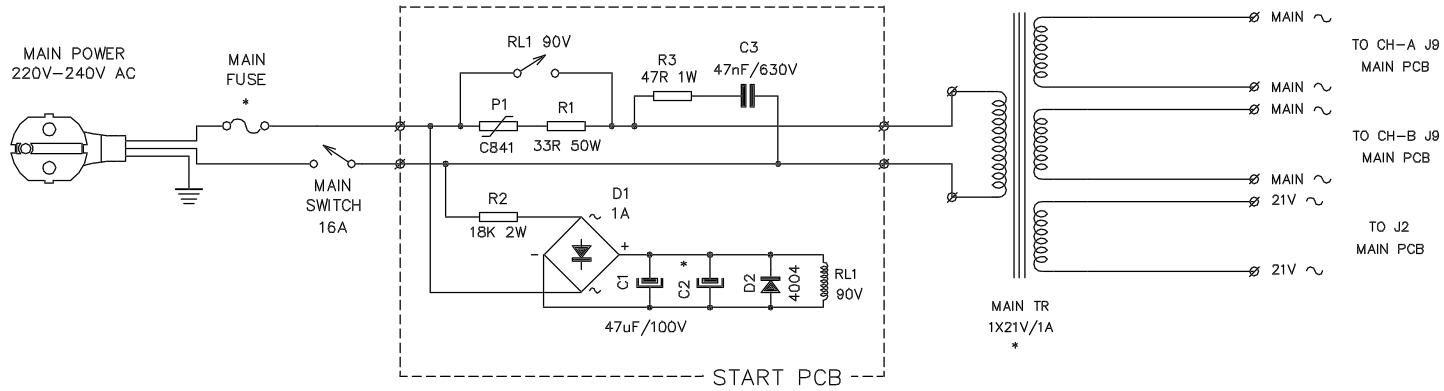
1. All resistors 1/4W, 1% unless noted.
2. All capacitors 50V unless noted.
3. All diodes 1N4934 unless noted.
4. CHB identical to CHA.
5. # CHB = # CHA + 50 unless noted.

6. * Ref according to model:

Model	R2,28	R6,16	R24,29	R95	C2,10	C14,15	B2	RL1	Q2,4	Q10,9
MA-400	820R/2W	681R	2K2/2W	10K	4700uF/63V	-	8A	2C/5A	-	-
MA-800	1K2/2W	681R	3K3/2W	10K	4700uF/80V	-	10A	2C/5A	-	-
MA-1200	1K8/2W	820R	3K9/2W	6K82	4700uF/100V	4700uF/100V	25A	2x 1C/16A	*	*

* mounted component

DRAWN	DATE	
DESIGN	12/97	
REPLACE	11/97	REF.
REPLACED BY		MAIN PCB
	SIZE DWG NO.	SIZE DWG NO.
	A4	SCHMA.DWG
		SHEET 1 OF 2



POWER SUPPLY NOTES

1. * Ref according to model:

Model	MAIN FUSE	MAIN TR
MA-400	6.3A	2x80V 0.3KVA
MA-800	6.3A	2x104V 0.7KVA
MA-1200	10A	2x130V 1.1KVA

2. FOR 120V AC MAIN POWER:

Model	MAIN FUSE
MA-400	10A
MA-800	10A
MA-1200	20A

R1	R2	C1	C2
15R/50W	5K6/0.5W	100uF/100V	100uF/100V

DRAWN	DATE	RAM MA SERIES
DESIGN	12/97	
REPLACE	11/97	REF.
REPLACED BY		TR, OUT&FR&ST PCB
	SIZE	DWG NO.
	A4	SCHMA.DWG
		SHEET 2 OF 2